



470 Beauty Spot Rd. E  
Bennettsville, SC 29512

# SUBMITTAL SHEET THERMAZONE SERIES INDUSTRIAL/COMMERCIAL/ RESIDENTIAL INFRARED HEATER



CAPACITIES
871W to 6478W, 120-600V, 1Ø or 3Ø
<b>Element Type:</b> Flat Panel Emitter
<b>Reflection Angles:</b> 60° Symmetrical
<b>Mounting Types:</b> Brackets included for ceiling mount and wall mount. Can also be hung by chain or threaded rod.

See Selection Chart for all Options

JOB NAME: \_\_\_\_\_

LOCATION: \_\_\_\_\_

ARCHITECT: \_\_\_\_\_

ENGINEER: \_\_\_\_\_

CONTRACTOR: \_\_\_\_\_

SUBMITTED BY: \_\_\_\_\_ DATE: \_\_\_\_\_

TAG/ITEM	QTY.	CATALOG NUMBER	HEATER			AMPS	REFLECTION ANGLE	FINISH	MOUNTING
			KW	VOLTS	Ø				

ACCESSORIES AND CONTROLS	TAG/ITEM	QTY.	CATALOG NUMBER	DESCRIPTION	

SUBMITTED BY:	DATE

APPROVED BY:	DATE

THERMAZONE SERIES - INDUSTRIAL/COMMERCIAL/RESIDENTIAL INFRARED HEATER

# ARCHITECT'S AND ENGINEER'S SPECIFICATIONS\*

## Thermazone Series

The Thermazone electric infrared heater(s) shall be supplied QMark®, a Marley Engineered Products® Brand, Bennettsville, SC, USA, and shall be of the kW rating, voltage and phase specified in the schedule. They shall be radiant type, and certified to cULus listed under standard 2021.

**CONSTRUCTION:** The heaters are formed and riveted together out of 16 ga. and 20 ga. CRS or stainless steel. If CRS, the heater must be stainless steel or powder coated with a high temp black finish.

**HEATING ASSEMBLY:** The heating assembly shall be UL listed under standard 2021 and shall consist of single stranded, non-coiled Ni-Chrome wire embedded in vitrified ceramic fiber and backed with high density, low biopersistent Fiberfrax insulation. The emitting surface is covered with a black-coated high temperature fiberglass cloth.

**WIRING:** For connection to the power supply, Thermazone heaters will be prewired with leads housed in a 24 inch flexible metal conduit and connector for j-box mounting.

**MOUNTING:** The heater shall be provided with a mounting kit designed to bear the weight of the heater assembly. The construction and design shall permit it to be ceiling or wall mounted, with the use of the mounting brackets supplied, hung by chain or suspended with threaded rod.

**PERFORMANCE:** All units are engineered to operate at optimal performance with a 60 degree dissipation pattern. Each unit is designed to operate with longwave infrared technology, for the most efficient delivery of heat for the desired space.

**OPTIONAL CONTROLS:** All infrared units are designed for compatibility to a variety of controls offered by QMark. Depending upon the voltage, wattage, and zoning requirements of the job, these controls may include one or a combination of the following: thermostat, timer, % timer, contactor panels, SSR panel, SCR panel, and/or Z-Wave mobile application based systems.

*\*QMark reserves the right to change specifications without prior notice.*

### How to Order

Example:

QR	-	STS	-	U	48	-	5954	P	-	SS	-	G
Brand: QR = QMark												
Model: STS = Thermazone Standard												
Heater Listing: U = cULus												
Size: 12 = 12" x 12", 24 = 12" x 24", 48 = 12" x 48"												
Wattage: <i>Shows wattage of specific heater model</i>												
Voltage Code: B = 120/1, V = 208-240/1, N = 277/1, I = 347/1, T = 480/1, P = 240/3, U = 480/3, Z = 600/3												
Finish: B = Powder Coated Black, SS = Stainless Steel												
Optional Grid: G = Stainless Steel Grid												

Approvals: \_\_\_\_\_

**Models & Specifications:**

ITEM INFORMATION		ELECTRICAL DATA				DIMENSIONAL DATA	
CATALOG NO.	MODEL	WATTS	PHASE	VOLTS	AMPS	DIMENSIONS	SHIP WT.
QR-ST5-U12-0871B	1X	871	1	120	7.3	12" x 12" x 5 1/2"	10 lbs
QR-ST5-U12-1081B	1X	1081	1	120	9.0	12" x 12" x 5 1/2"	10 lbs
QR-ST5-U12-1111B	1X	1111	1	120	9.3	12" x 12" x 5 1/2"	10 lbs
QR-ST5-U12-1681B	1X	1681	1	120	14.0	12" x 12" x 5 1/2"	10 lbs
QR-ST5-U12-1436V	1X	1077	1	208	5.2	12" x 12" x 5 1/2"	10 lbs
		1436		240	6.0	12" x 12" x 5 1/2"	10 lbs
QR-ST5-U24-1015V	2X	762	1	208	3.7	24" x 12" x 5 1/2"	20 lbs
		1015		240	4.2	24" x 12" x 5 1/2"	20 lbs
QR-ST5-U24-1316B	2X	1316	1	120	11.0	24" x 12" x 5 1/2"	20 lbs
QR-ST5-U24-1297V	2X	974	1	208	4.7	24" x 12" x 5 1/2"	20 lbs
		1297		240	5.4	24" x 12" x 5 1/2"	20 lbs
QR-ST5-U24-1659B	2X	1659	1	120	13.8	24" x 12" x 5 1/2"	20 lbs
QR-ST5-U24-1701V	2X	1276	1	208	6.1	24" x 12" x 5 1/2"	20 lbs
		1701		240	7.1	24" x 12" x 5 1/2"	20 lbs
QR-ST5-U24-2192B	2X	2192	1	120	18.3	24" x 12" x 5 1/2"	20 lbs
QR-ST5-U24-2001V	2X	1501	1	208	7.2	24" x 12" x 5 1/2"	20 lbs
		2001		240	8.3	24" x 12" x 5 1/2"	20 lbs
QR-ST5-U24-1982N	2X	1982	1	277	7.2	24" x 12" x 5 1/2"	20 lbs
QR-ST5-U24-2060I	2X	2060	1	347	6.0	24" x 12" x 5 1/2"	20 lbs
QR-ST5-U24-2222B	2X	2222	1	120	18.5	24" x 12" x 5 1/2"	20 lbs
QR-ST5-U24-2428V	2X	1821	1	208	8.8	24" x 12" x 5 1/2"	20 lbs
		2428		240	10.1	24" x 12" x 5 1/2"	20 lbs
QR-ST5-U24-2388N	2X	2388	1	277	8.6	24" x 12" x 5 1/2"	20 lbs
QR-ST5-U24-2488I	2X	2488	1	347	7.2	24" x 12" x 5 1/2"	20 lbs
QR-ST5-U24-3363B	2X	3363	1	120	28.0	24" x 12" x 5 1/2"	20 lbs
QR-ST5-U24-3239V	2X	2429	1	208	11.7	24" x 12" x 5 1/2"	20 lbs
		3239		240	13.5	24" x 12" x 5 1/2"	20 lbs
QR-ST5-U24-3008N	2X	3008	1	277	10.9	24" x 12" x 5 1/2"	20 lbs
QR-ST5-U24-3176I	2X	3176	1	347	9.2	24" x 12" x 5 1/2"	20 lbs
QR-ST5-U24-1992P	2X	1496	3	208	4.2	24" x 12" x 5 1/2"	20 lbs
		1992		240	4.8	24" x 12" x 5 1/2"	20 lbs
QR-ST5-U24-2442P	2X	1834	3	208	5.1	24" x 12" x 5 1/2"	20 lbs
		2442		240	5.9	24" x 12" x 5 1/2"	20 lbs
QR-ST5-U24-3041P	2X	2284	3	208	6.4	24" x 12" x 5 1/2"	20 lbs
		3041		240	5.9	24" x 12" x 5 1/2"	20 lbs
QR-ST5-U48-2030V	4X	1523	1	208	7.3	48" x 12" x 5 1/2"	38 lbs
		2030		240	8.5	48" x 12" x 5 1/2"	38 lbs
QR-ST5-U48-2014I	4X	2014	1	347	5.8	48" x 12" x 5 1/2"	38 lbs
QR-ST5-U48-2030T	4X	2030	1	480	4.2	48" x 12" x 5 1/2"	38 lbs
QR-ST5-U48-2594V	4X	1946	1	208	9.4	48" x 12" x 5 1/2"	38 lbs
		2594		240	10.8	48" x 12" x 5 1/2"	38 lbs
QR-ST5-U48-2502I	4X	2502	1	347	7.2	48" x 12" x 5 1/2"	38 lbs
QR-ST5-U48-2594T	4X	2594	1	480	5.4	48" x 12" x 5 1/2"	38 lbs
QR-ST5-U48-3402V	4X	2552	1	208	12.3	48" x 12" x 5 1/2"	38 lbs
		3402		240	14.2	48" x 12" x 5 1/2"	38 lbs
QR-ST5-U48-3206I	4X	3206	1	347	9.2	48" x 12" x 5 1/2"	38 lbs
QR-ST5-U48-3402T	4X	3402	1	480	7.1	48" x 12" x 5 1/2"	38 lbs
QR-ST5-U48-4002V	4X	3002	1	208	14.5	48" x 12" x 5 1/2"	38 lbs
		4002		240	16.7	48" x 12" x 5 1/2"	38 lbs
QR-ST5-U48-3964N	4X	3964	1	277	14.3	48" x 12" x 5 1/2"	38 lbs
QR-ST5-U48-4120I	4X	4120	1	347	11.9	48" x 12" x 5 1/2"	38 lbs
QR-ST5-U48-4002T	4X	4002	1	480	8.3	48" x 12" x 5 1/2"	38 lbs
QR-ST5-U48-4042Y	4X	4042	1	600V	6.7	48" x 12" x 5 1/2"	38 lbs

**Models & Specifications (continued):**

ITEM INFORMATION		ELECTRICAL DATA				DIMENSIONAL DATA	
CATALOG NO.	MODEL	WATTS	PHASE	VOLTS	AMPS	DIMENSIONS	SHIP WT.
QR-ST5-U48-4856V	4X	3642	1	208	17.5	48" x 12" x 5 1/2"	38 lbs
		4856		240	20.2	48" x 12" x 5 1/2"	38 lbs
QR-ST5-U48-4776N	4X	4776	1	277	17.2	48" x 12" x 5 1/2"	38 lbs
QR-ST5-U48-4976I	4X	4976	1	347	14.4	48" x 12" x 5 1/2"	38 lbs
QR-ST5-U48-4856T	4X	4856	1	480	10.1	48" x 12" x 5 1/2"	38 lbs
QR-ST5-U48-4878Y	4X	4878	1	600	8.1	48" x 12" x 5 1/2"	38 lbs
QR-ST5-U48-6478V	4X	4859	1	208	23.4	48" x 12" x 5 1/2"	38 lbs
		6478		240	27.0	48" x 12" x 5 1/2"	38 lbs
QR-ST5-U48-6056N	4X	6056	1	277	21.7	48" x 12" x 5 1/2"	38 lbs
QR-ST5-U48-6352I	4X	6352	1	347	18.3	48" x 12" x 5 1/2"	38 lbs
QR-ST5-U48-6478T	4X	6478	1	480	13.5	48" x 12" x 5 1/2"	38 lbs
QR-ST5-U48-6118Y	4X	6118	1	600	10.2	48" x 12" x 5 1/2"	38 lbs
QR-ST5-U48-3971P	4X	2983	3	208	8.3	48" x 12" x 5 1/2"	38 lbs
		3971		240	9.6	48" x 12" x 5 1/2"	38 lbs
QR-ST5-U48-3928U	4X	3928	3	480	4.7	48" x 12" x 5 1/2"	38 lbs
QR-ST5-U48-3963Z	4X	3963	3	600	3.8	48" x 12" x 5 1/2"	38 lbs
QR-ST5-U48-4794P	4X	3601	3	208	10.0	48" x 12" x 5 1/2"	38 lbs
		4794		240	11.5	48" x 12" x 5 1/2"	38 lbs
QR-ST5-U48-4838U	4X	4838	3	480	5.8	48" x 12" x 5 1/2"	38 lbs
QR-ST5-U48-4797Z	4X	4797	3	600	4.6	48" x 12" x 5 1/2"	38 lbs
QR-ST5-U48-5954P	4X	4472	3	208	12.4	48" x 12" x 5 1/2"	38 lbs
		5954		240	14.3	48" x 12" x 5 1/2"	38 lbs
QR-ST5-U48-6060U	4X	6060	3	480	7.3	48" x 12" x 5 1/2"	38 lbs
QR-ST5-U48-5982Z	4X	5982	3	600	5.8	48" x 12" x 5 1/2"	38 lbs

**Optional Accessories:**

CATALOG NO.	DESCRIPTION	COMPATIBLE WITH
03-104	12" x 24" SS Grid	All 12" x 24" Heaters All 1P 12" x 48" Heaters*
03-105	12" x 12" SS Grid	All 12" x 12" Heaters
03-106	12" x 16" SS Grid	All 3P 12" x 48" Heaters**

\* Requires quantity of 2. \*\* Requires quantity of 3.

**Optional Local Controls:**

CATALOG NO.	DESCRIPTION	SUPPLY VOLTAGE	PHASE	AMP RATING	SUITABLE WITH		
					CONTACTOR PANEL	STAND ALONE	SSR PANEL
TZ-REM-PT	Fixed Cycle Controller w/ Adjustable Output	120/24	1	NA	—	—	Yes
TZ-PCT	Adjustable Cycle Controller w/ Adjustable Output	120/240	1	28	Yes	Yes	Yes
TZ-TIMER	0-60 Min Heavy Duty In-Wall On/Off Timer	120/240	1	28	Yes	Yes	Yes
TZ-TIMER2HR	0-120 Min Heavy Duty In-Wall On/Off Timer	120/240	1	28	Yes	Yes	Yes
TZ-HUB	App Based Z-Wave Wireless Connection Hub	120	1	NA	Yes	Yes	Yes
TZ-SWITCH	App Based Z-Wave Wireless Junction Box	120/240	1	40	Yes	Yes	Yes
TZ-REMOTE	Z-Wave Compatible Wireless Switch/Wall Remote	Battery	—	NA	—	—	—

Optional controls suitable for isolated control of your heater(s), or to be paired with QMark's line of control panels to operate banks of heaters together. Options range from adjustable output cycle timers with fixed and adjustable cycle times, to standard on/off timer control, and introducing market leading Z-Wave app based control for easy operation from your phone.

Approvals: \_\_\_\_\_

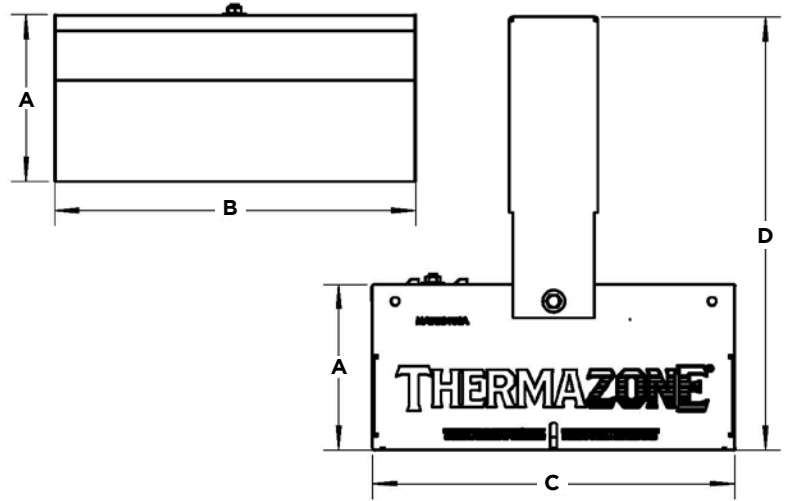
**Dimensions:**

Model	A	B	C	D*
1X	5 1/2"	12"	12"	14 1/2"
2X	5 1/2"	24"	12"	14 1/2"
4X	5 1/2"	48"	12"	14 1/2"

\*If using attached bracket

**Clearances:**

	Between Heaters	To Side Walls	To Ceiling
Wall Mounted	36"	4"	4"
Ceiling Mounted Vertical	36"	36"	4"
Ceiling Mounted Angled Away	36"	4"	4"
Ceiling Mounted Angled Toward	36"	72"	4"



**Wall Mounting**

Do not install the section closer than

- 4 inches to a horizontal surface
- 12 inches to an adjacent vertical surface
- 36 inches to another heater
- 6 feet from the floor

For angle positioning, the heater should not be directed toward any vertical surface closer than 6 feet.

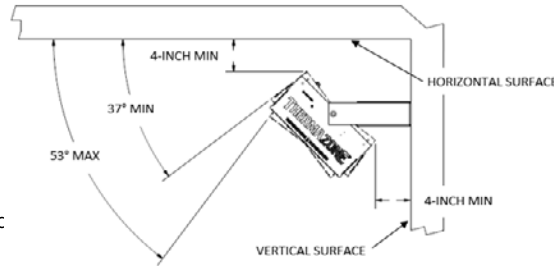
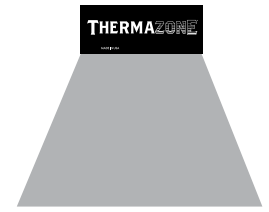


Fig. 1a - WALL MOUNTING

**Reflection Angle:**



60° Symmetrical

**Ceiling Mounting**

Do not install the section closer than

- 36 inches to a vertical surface for vertical mounting
- 4 inches to a vertical surface for angled ceiling mounting
- 12 inches to an adjacent vertical surface
- 36 inches to another heater
- 6 feet from the floor

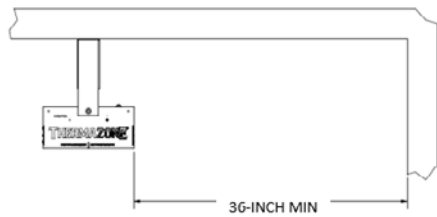


Fig. 2 - CEILING MOUNTING VERTICAL

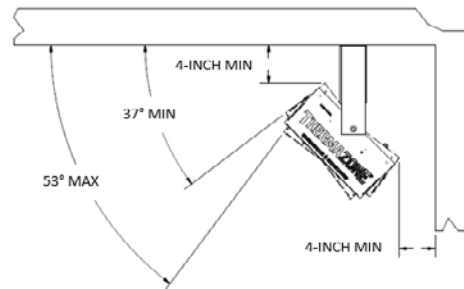


Fig. 3 - CEILING MOUNTING ANGLED AWAY FROM VERTICAL SURFACE

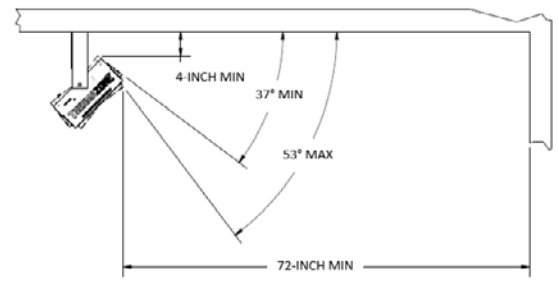


Fig. 4 - CEILING MOUNTING ANGLED TOWARDS VERTICAL SURFACE

Reference product instruction manual for additional information on proper mounting, wiring, and installation.

No matter the industry or application, Marley Engineered Products has a robust portfolio of innovative, reliable, high-performance comfort heating and ventilation solutions for all your heating needs.

For more information or assistance on your next project, contact Technical Services at 800-642-4328

Scan the QR code to access additional specs and features



Approvals: \_\_\_\_\_