

**SUBMITTAL SHEET
HUHAA SERIES
HORIZONTAL/VERTICAL
UNIT HEATERS**



File # E21609

| CAPACITIES |
|--|
| 3KW to 10kW 208, 240, and 480V 1 Phase or 3 Phase (Voltage and Phase varies with model) |

See Selection Chart for all Options

HUHAA SERIES - HORIZONTAL/VERTICAL UNIT HEATERS

JOB NAME: _____

LOCATION: _____

ARCHITECT: _____

ENGINEER: _____

CONTRACTOR: _____

SUBMITTED BY: _____ DATE: _____

| TAG/ITEM | QTY. | CATALOG NUMBER | HEATER | | | AMPS | GRILLE FINISH | CEILING MOUNT |
|----------|------|----------------|--------|-------|---|------|---------------|---------------|
| | | | KW | VOLTS | Ø | | | |
| | | | | | | | | |
| | | | | | | | | |
| | | | | | | | | |
| | | | | | | | | |
| | | | | | | | | |
| | | | | | | | | |
| | | | | | | | | |
| | | | | | | | | |
| | | | | | | | | |

| ACCESSORIES AND CONTROLS | TAG/ITEM | QTY. | CATALOG NUMBER | DESCRIPTION |
|--------------------------|----------|------|----------------|-------------|
| | | | | |
| | | | | |
| | | | | |

| SUBMITTED BY: | DATE |
|---------------|------|
| | |
| | |
| | |
| | |

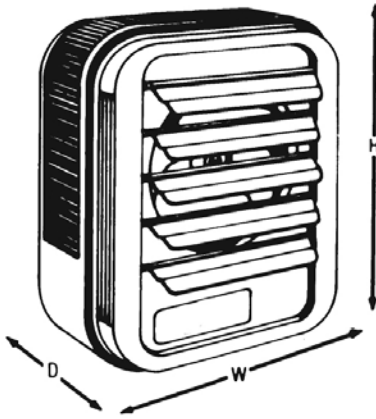
| APPROVED BY: | DATE |
|--------------|------|
| | |
| | |
| | |
| | |

HUHAA SERIES ARCHITECT'S AND ENGINEER'S SPECIFICATIONS*

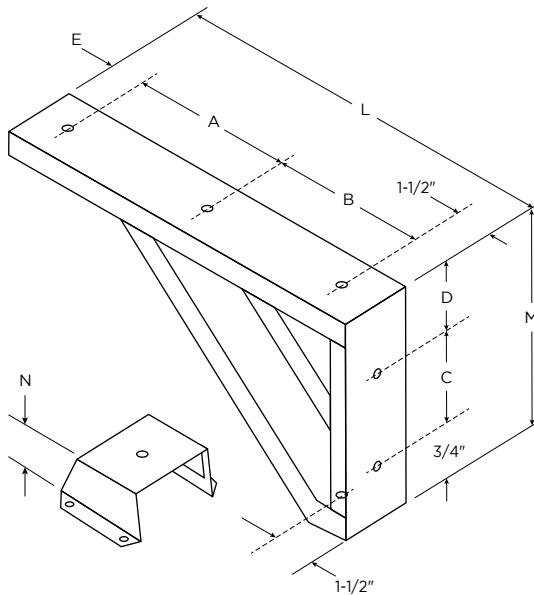
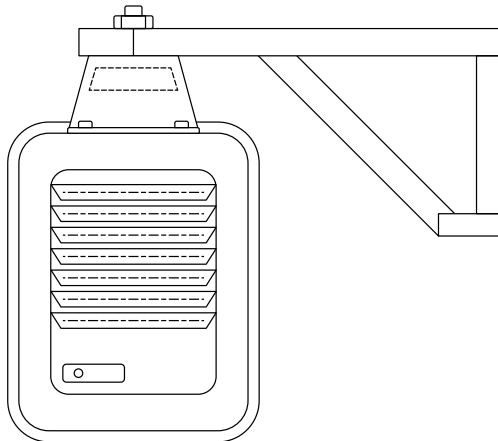
- Unit mounts either horizontally or vertically. Totally versatile. For factories, warehouses, garages, stores, shipping rooms, power stations. Can be used for primary, supplementary, spot, or dual-system heating.
- Each PRO model comes with a built in single stage thermostat, disconnect switch, and 24VAC transformer.
- Each PRO-SSP model comes with a remote mount SmartSeries Plus control, disconnect switch, and 24VAC transformer.
- Forced air unit heater with 4 power ratings; from 3KW to 10 KW heating output; 208, 240, 277 and 480V.
- 24 compatible models (no need to try to assemble a heating system from 70 or 80 models!)
- Heavy gauge die-formed steel housing. Two-toned, smartly styled with stainless steel louvers.
- Advanced pull-through air flow design draws air across heating element for more even air distribution and cooler element operation.
- Specially designed venturi outlet to meet that added throw as required in vertical position.
- Branch circuit fusing (when required).
- Completely enclosed fan motor.
- 1- or 3-phase wiring on 5 through 10 KW 208/240V units (field interchangeable).
- Aluminum-finned, copper clad steel sheath heating element has longer useful life, because of cooler sheath temperature and faster heat dissipation .
- 24V control transformer standard on all models, providing a safer and more accurate means of temperature control.
- Automatic reset linear thermal cut-out, capillary type, provides protection over entire length of element areas (Manual reset protection available on made-to-order basis).
- Fan delay feature eliminates cold drafts. Element heats up before fan cuts in, then fan continues to distribute heat after element shuts off.
- Ruggedly built, yet lighter weight for easier installation. No piping flutes, valves, or traps.
- Individually adjustable discharge louvers to control air flow.
- Choice of optional diffusers for variety of air patterns, maximizing heat concentration and coverage in the vertical position.
- Meets all UL, NEC, and OSHA requirements.

*Berko reserves the right to change specifications without prior notice.

Dimensions and Clearances:



| CATALOG NO. | HEIGHT | WIDTH | DEPTH |
|--------------|---------|---------|---------|
| HUHAA03 & 05 | 16" | 14" | 7 1/2" |
| HUHAA07 & 10 | 21 3/4" | 19" | 7 1/2" |
| HUHAA15 & 20 | 21 3/4" | 19" | 12 3/4" |
| HUHAA25 & 30 | 30" | 26 5/8" | 11 3/4" |
| HUHAA40 & 50 | 30" | 26 5/8" | 17 1/8" |



| | 3-20 kW | 25-50 kW |
|---|----------|-----------|
| A | 7 1/4" | 9 7/16" |
| B | 9 1/2" | 14 3/8" |
| C | 7 1/4" | 12 1/8" |
| D | 11 5/16" | 2 1/16" |
| E | 2 1/4" | 3" |
| L | 20 1/2" | 28 15/16" |
| M | 9 15/16" | 14 15/16" |
| N | 3 1/4" | 4 1/2" |

Approvals: _____

Models & Specifications:

| ITEM INFORMATION | | ELECTRICAL DATA | | | | | AIR DELIVERY DATA FAN MOTOR DATA | | |
|------------------|--------------|-----------------|-------|-----------|-----------|--------------|-------------------------------------|-----------|--|
| CATALOG NO. | UPC | VOLTS | PHASE | KW | AMPS | CONTROL VOLT | CFM | SHIP WT.† | |
| HUHAA320 | 685360036885 | 208 | 1 | 3 | 14.5 | 208 | 350 | 27 lbs | |
| HUHAA520 | 685360036977 | 208 | 1-3 | 5 | 24 | 208 | 350 | 27 lbs | |
| HUHAA720 | 685360037011 | 208 | 1-3 | 7.5 | 36 | 24 | 650 | 38 lbs | |
| HUHAA1020 | 685360036731 | 208 | 1-3 | 10 | 48 | 24 | 650 | 38 lbs | |
| HUHAA1520 | 685360036779 | 208 | 1-3 | 15 | 72 | 24 | 910 | 53 lbs | |
| HUHAA324 | 685360036892 | 208/240 | 1-3 | 2.2/3.0 | 11.0/12.5 | 208/240 | 350 | 27 lbs | |
| HUHAA524 | 685360036984 | 208/240 | 1-3 | 3.7/5.0 | 18.0/21.0 | 208/240 | 350 | 27 lbs | |
| HUHAA724 | 685360037028 | 208/240 | 1-3 | 5.6/7.5 | 27.0/31.3 | 24 | 650 | 38 lbs | |
| HUHAA1024 | 685360036748 | 208/240 | 1-3 | 7.5/10.0 | 36.0/42.0 | 24 | 650 | 38 lbs | |
| HUHAA1524 | 685360036786 | 208/240 | 3 | 11.2/15.0 | 31.3/36.1 | 24 | 910 | 53 lbs | |
| HUHAA327 | 685360036908 | 277 | 1 | 3 | 11 | 277 | 350 | 27 lbs | |
| HUHAA527 | 685360036991 | 277 | 1 | 5 | 18 | 277 | 350 | 27 lbs | |
| HUHAA727 | 685360037035 | 277 | 1 | 7.5 | 27 | 24 | 650 | 38 lbs | |
| HUHAA348 | 685360036915 | 480 | 3 | 3 | 3.6 | 24 | 350 | 27 lbs | |
| HUHAA548 | 685360037004 | 480 | 3 | 5 | 6 | 24 | 350 | 27 lbs | |
| HUHAA748 | 685360037042 | 480 | 3 | 7.5 | 9 | 24 | 650 | 38 lbs | |
| HUHAA1048 | 685360036762 | 480 | 3 | 10 | 12 | 24 | 650 | 38 lbs | |
| HUHAA1548 | 685360036793 | 480 | 3 | 15 | 18 | 24 | 910 | 53 lbs | |

| | | | | | | | | |
|-----------|--------------|---------|---|-----------|-------------|----|------|---------|
| HUHAA2020 | 685360036809 | 208 | 3 | 20 | 56 | 24 | 1320 | 60 lbs |
| HUHAA2024 | 685360036816 | 208/240 | 3 | 15.0/20.0 | 41.2/48.0 | 24 | 1320 | 60 lbs |
| HUHAA2048 | 685360036823 | 480 | 3 | 20 | 24 | 24 | 1320 | 60 lbs |
| HUHAA2548 | 685360036847 | 480 | 3 | 25 | 30 | 24 | 2100 | 93 lbs |
| HUHAA3048 | 685360036878 | 480 | 3 | 30 | 36 | 24 | 2100 | 93 lbs |
| HUHAA4048 | 685360036939 | 480 | 3 | 40 | 48 | 24 | 3000 | 114 lbs |
| HUHAA5048 | 685360036960 | 480 | 3 | 50 | 60.2 | 24 | 3000 | 114 lbs |
| HUHAA3020 | 685360036854 | 208 | 3 | 30 | 84 | 24 | 2100 | 93 lbs |
| HUHAA2524 | 685360036830 | 208/240 | 3 | 18.7/25.0 | 52.0/60.0 | 24 | 2100 | 93 lbs |
| HUHAA3024 | 685360036861 | 208/240 | 3 | 22.5/30.0 | 63.0/72.3 | 24 | 2100 | 93 lbs |
| HUHAA4024 | 685360036922 | 208/240 | 3 | 30.0/40.0 | 83.4/96.4 | 24 | 3000 | 114 lbs |
| HUHAA5024 | 685360036953 | 208/240 | 3 | 37.5/50.0 | 104.2/120.4 | 24 | 3000 | 114 lbs |
| HUHAA1027 | 685360036755 | 277 | 1 | 10 | 36 | 24 | 650 | 38 lbs |
| HUHAA1027 | 685360036755 | 277 | 1 | 10 | 36 | 24 | 650 | 38 lbs |

†"1-3" phase denotes field convertible to 3-Phase

NOTE: All standard units are supplied with a low voltage control transformer and contactor (24V) except HUHAA03 and HUHAA05, 208V, 240V and 277V models. Low voltage control on these units is available on Made to Order (Contact your local Marley Sales Representative for typically associated lead times). If using low-voltage control, a 24v transformer is required. All units are also available on special order for 120V control; internal with transformer or external without transformer. On dual-voltage units CFM, FPM, & RPM ratings are listed at higher voltage operation. On dual-phase units maximum amp draw is listed for respective voltage. Must use two-stage Thermostat on 3Ø operation.

Approvals: _____

Optional Mounting Brackets:

| | CATALOG NO. | UPC | COMPATIBILITY | SHIP WT* |
|---------------------------|---------------|--------------|----------------------------------|----------|
| Standard | B10 | 685360152295 | HUHA03-10 | 8 lbs |
| | MCB105PK | 685360173627 | (Master Pack, Five B10 Brackets) | |
| | B20 | 685360152301 | HUHA015 & 20 | 10 lbs |
| | B30 | 685360152318 | HUHA025 & 30 | 13 lbs |
| | B50 | 685360152325 | HUHA040 & 50 | 15 lbs |
| Ceiling | CMB10 | 685360152363 | 3-10 KW units | 3 lbs |
| | CMB20 | 685360152370 | 15-20 KW units | 4 lbs |
| | CMB30 | 685360152387 | 25-30 KW units | 5 lbs |
| | CMB50 | 685360152394 | 40-50 KW units | 6 lbs |
| Vertical Ceiling | VDMB5 | 685360152455 | 3-5 KW units | 5 lbs |
| | VDMB20 | 685360152462 | 7.5-20 KW units | 7 lbs |
| | VDMB50 | 685360152479 | 25-50 KW units | 9 lbs |
| Remote Thermostats | MUHBKT-TST-SM | 685360175089 | MUH 3-20kw | 2 lbs |
| | MUHBKT-TST-L | 685360175096 | MUH 25-50kw | 2 lbs |

MOUNTING LIMITATIONS: Unit heaters should not be used in potentially explosive atmospheres. The finish is not intended for direct salt spray exposure in marine applications or the highly corrosive atmospheres of swimming pools, chemical storage bins, etc. Do not install unit heaters above recommended maximum mounting height. Obstructions must not block unit heater air inlet or discharge. Heaters must be mounted at least 7 ft. above the floor to prevent accidental contact with the heating element or fan blade which could cause injury.

Optional Dust Shields:

| CATALOG NO. | UPC | COMPATIBILITY | SHIP WT* |
|-------------|--------------|----------------|----------|
| JRDS8 | 685360150697 | 3-5 KW units | 5 lbs |
| JRDS14 | 685360150673 | 15-20 KW units | 6 lbs |
| JRDS19 | 685360150680 | 25-50 KW units | 10 lbs |

Diffuser Selector Table:

| CATALOG NO. | UPC | COMPATIBILITY | SHIP WT* |
|-------------|--------------|--------------------------------------|----------|
| HUHAALDL | 685360036632 | Louvered Diffuser F | 10 lbs |
| HUHAALDM | 685360036649 | Louvered Diffuser for 7.5-20KW Units | 8 lbs |
| HUHAALDS | 685360036656 | Louvered Diffuser for 3 & 5KW Units | 5 lbs |

Optional Field-Installed Electrical Controls:

| CATALOG NO. | UPC | DESCRIPTION | ELECTRICAL RATING |
|-------------|--------------|---|--|
| UHMT1* | 685360152417 | Single Pole Internal Thermostat-Temp Range: 40°- 85°F | 25A @ 120, 240VAC Res. 22A @ 277VAC Res. |
| UHMT2 | 685360152424 | Two Stage Internal Thermostat-Temp. Range: 40°-85°F | 25A @ 120, 240VAC Res. 22A @ 277VAC Res. 125VA |
| HUHAAFS | 685360046372 | Internal Summer Fan Switch 250, 480, 600V.A.C. 1.2 OR 3 PH | Pilot Duty 6A, 600VAC Res. 2 HP |
| HUHAARFS1 | 685360047089 | Remote Summer Fan Switch (Line Voltage) | 2 HP, 250-480VAC |
| HUHAARFS2 | 685360047096 | Remote Summer Fan Switch with Relay (24V Coil-Single Pole Normally Open) | 6 AFL, 35 ALR, 250VAC, 60Hz. 3 AFL, 18 ALR, 480VAC, 60Hz |
| HUHAAHRT | 685360046945 | Heat Recovery Thermostat with Relay (24V Coil-Single Pole Normally Open) Hi - 120°F, Low - 60°F | 6 AFL, 35 ALR, 250VAC, 60Hz. 3 AFL, 18 ALR, 480VAC, 60Hz |
| HUHAADS25 | 685360047034 | Power Disconnect Switch (3-Pole) | 30A @ 600VAC, Res. |
| HUHAADS60 | 685360047041 | Power Disconnect Switch (3-Pole) | 80A @ 600VAC, Res. |

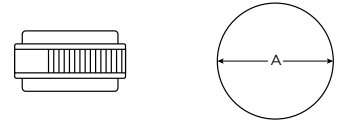
***-S" version available as a suitable alternative

NOTE: Any field installed options assembled in the factory require added surcharge. See price book for charges. MPDS60 disconnect switch is not suitable for field installation on 7.5kw and 10kw unit heaters. Visit website or contact your local representative for compatibility details.

Diffusers for Vertical Mounting:

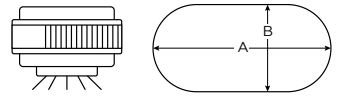
No Diffuser:

No diffuser needed where a straight downflow air pattern is required. For maximum air throw, remove louvers. Any of three diffusers can be added to basic heater.



Louver Diffuser:

Permits directional (straight line) air flow as in air curtain application over doorways. Rectangular coverage, Louvers can be turned in either direction.



NOTE: Visit website or contact your local representative for additional details

No matter the industry or application, Marley Engineered Products has a robust portfolio of innovative, reliable, high-performance comfort heating and ventilation solutions for all your heating needs.

For more information or assistance on your next project, contact Technical Services at 800-642-4328

Scan the QR code to access additional specs and features



Approvals: _____