

# MUH35 SERIES

## UNIT HEATER



### IDEAL SPACES

- Factories
- Shipping Docks
- Garages
- Warehouses
- Schools

### COLORS

- Charcoal Gray

### DIMENSIONS

- 22"L x 16"H (14"H w/o bracket) x 8"D

### TEMP RANGE

- 40°– 90°F

### CFM

- 210



- Air flow can be directed vertically, horizontally or any position in between
- Mounts either on wall or ceiling for primary or spot heating (bracket included)
- Built-in bi-metal thermostat; multiple wattage heat selector switch for precise amount of heat
- Fan-only switch for air movement when no heat is required
- Specially designed venturi outlet to meet required additional air throw in vertical position
- Advanced pull-through air flow design draws air across heating element for even air distribution and cooler element operation
- Heavy gauge die-formed steel housing and completely enclosed fan motor
- Aluminum-finned, copper-clad steel sheath heating element extends life due to cooler sheath temperature and faster heat dissipation
- High temperature manual thermal cut-off with audible alarm for added safety
- Manual reset thermal cut-off button located on front for easy access



[www.qmarkmep.com](http://www.qmarkmep.com)

For Technical Services, Call 800-642-4328

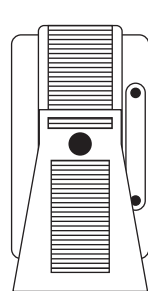
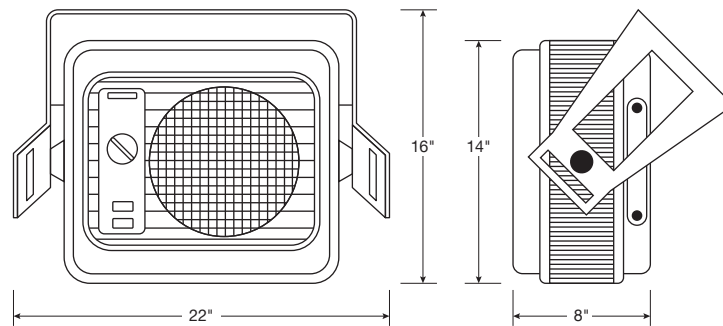
ITEM# QFLY\_MUH\_1217-1

## MUH35 SERIES UNIT HEATER

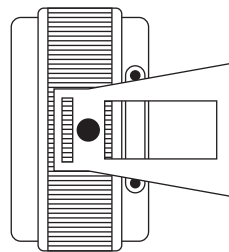
### MODELS & SPECIFICATIONS

CATALOG NO.	UPC	VOLTS	WATTS	BTU/HR	AMPS	SHIP WT. (LBS.)
MUH35	6 85360 04757 7	240	5000/3333	17060/11372	21.0/14.0	28
		208	3750/2500	12795/8530	18.0/12.0	
PHCS1B	Cord & Plug Assembly (Optional)					

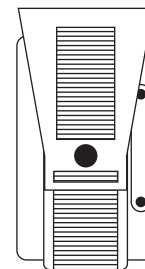
AIR DELIVERY DATA			FAN MOTOR DATA			MAXIMUM EFFECTIVE MOUNTING HEIGHT		HORIZONTAL AIR THROW	WIRE SIZE
CFM	FPM	$\Delta T(^{\circ}F)$	VOLTS	RPM	HP	HORIZ.	VERT.		
210	550	71	240/208	1600	1/100	8	15	24	AWG 10



FLOOR



WALL



CEILING

SPECIAL COMBINATION STAND & SWIVEL BRACKET enables unit to be positioned in a variety of ways. Especially easy to install on ceilings or walls, the bracket is already predrilled with 16" O.C. mounting holes.