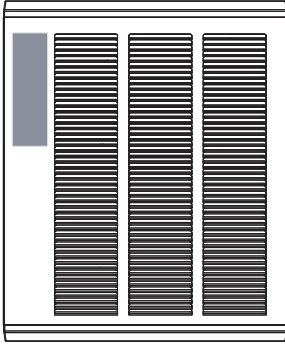


SUBMITTAL SHEET
SSHOMW COMMERCIAL
SMARTSERIES[®]

HIGH-OUTPUT WALL HEATER



CAPACITIES
1800-4000 W 208V, 240V, or 277V 1Ø Temperature Range: 40°-99° F Air Movement: 100 CFM

See Selection Chart for all Options

SSHOMW COMMERCIAL SMARTSERIES - HIGH-OUTPUT WALL HEATER

JOB NAME: _____

LOCATION: _____

ARCHITECT: _____

ENGINEER: _____

CONTRACTOR: _____

SUBMITTED BY: _____ DATE: _____

TAG/ITEM	QTY.	CATALOG NUMBER	HEATER			AMPS	BMS CONNECTION (Y/N)
			WATTS	VOLTS	Ø		

ACCESSORIES AND CONTROLS	TAG/ITEM	QTY.	CATALOG NUMBER	DESCRIPTION

SUBMITTED BY:	DATE

APPROVED BY:	DATE

ARCHITECT'S AND ENGINEER'S SPECIFICATIONS*

The electric fan-forced architectural wall heater shall be as manufactured by Berko® A Marley Engineered Products® Brand, Bennettsville, SC. Heaters shall be certified by ETL to standard for heating equipment and meet UL standard 2021. All capacities, voltages, physical sizes, grille arrangements and options shall be specified in the heater schedule. The heater shall be designed for wall recess or surface mounting.

HEATER ASSEMBLY: The heater assembly which fits into the back box shall consist of an 18 gauge, powder coated steel fan panel which are mounted all of the operational parts of the heater. The front grille shall be of the louvered type and shall be commercial grade 20 gauge steel construction finished in polyester powder coating which resists fading and abrasion.

HEATING ELEMENTS: The heating elements shall be warranted for five years and shall be of non-glowing design consisting of 80-20 Ni/Cr resistance wire enclosed in a steel sheath to which steel plate fins are brazed. The heating element shall cover the entire air discharge area to ensure uniform heating of all discharge air.

THERMAL LIMIT: The heater shall be equipped with a manual-reset safety limit control that will automatically shut off heater in event of overheating due to any cause. The safety cutouts shall directly interrupt power to the elements. A red warning light will illuminate (visible through the grille) to alert that this control has been activated.

FAN AND MOTOR ASSEMBLY: The motor and fan assembly shall be direct drive and mounted on rigid heavy gauge brackets for quiet operation. The fan shall be five-bladed aluminum. The fan motor shall be totally enclosed.

FAN DELAY CONTROL: Fan control shall delay fan startup of the fan motor until the heating elements have warmed up. It shall maintain motor operation after heating elements have been de-energized to dissipate residual heat build-up.

TEMPERATURE CONTROL: The unit is designed to be controlled electronically with a built-in electronic digital LED touch screen display mounted on the grille and control board mounted on the fan panel. This control will maintain room temperatures within 1-½ degrees of set point. The output of heat is proportionally controlled as to how much heat is needed to satisfy the set point. Heater automatically adjusts wattage output for optimum comfort. Heater settings can be locked out for security purposes.

DISCONNECT SWITCH: This ON/OFF switch shall be mounted on the fan deck to disconnect single point connection to power supply for the internal electrical components, including the heating element. It will be completely concealed behind the front grille panel.

BUILDING MANAGEMENT CONNECTION: The unit shall include a unique built-in Building Management System (BMS) connection. This allows the building management system to connect directly to the heater using a dry contact switch (no voltage) to control the heater. A BMS icon is illuminated and all other icons are turned OFF and all buttons are disabled.

**Berko reserves the right to change specifications without prior notice.*

Models & Specifications:

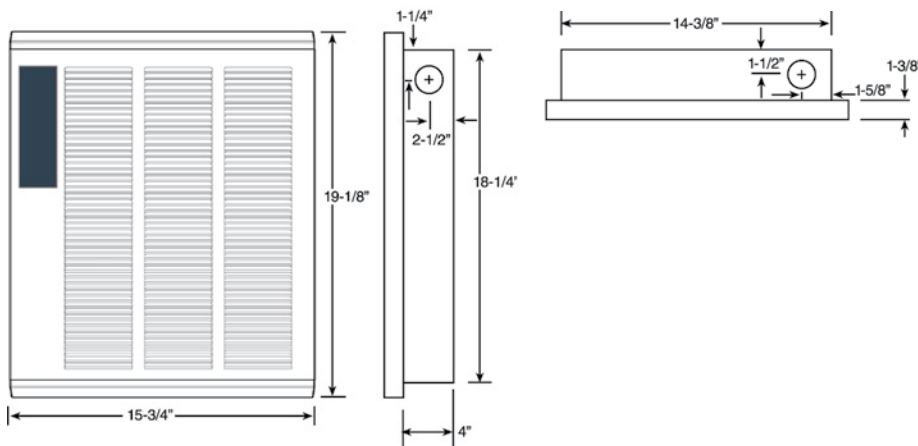
ITEM INFORMATION		ELECTRICAL DATA					
CATALOG NO.	UPC	VOLTS	PHASES	WATTS	AMPS	BTU/HR.	SHIP WT.
SSHOWH4008	685360156705	208	1	1800/4000	8.7/19.2	13,650	26 lbs
SSHOWH4004	685360156729	240	1	1800/4000	7.5/16.7	13,650	26 lbs
SSHOWH4007	685360156736	277	1	1800/4000	6.5/14.4	13,650	26 lbs

Optional Accessories:

CATALOG NO.	UPC	DESCRIPTION	DESCRIPTION	SHIP WT.
HTWHSM	685360155456	Surface Mounting Frame 15 3/8" W x 19 3/8" H x 3 3/4" D	White	4 lbs
HTWHS1	685360155487	1 in. Semi-Recess Mounting Frame 15 3/8" W x 19 3/8" H x 1" D	White	4 lbs
HTWHS2	685360155517	2 in. Semi-Recess Mounting Frame 15 3/8" W x 19 3/8" H x 2" D	White	4 lbs

NOTE: See paint policy page for information on custom paint colors.

Dimensions and Clearances:



MOUNTING LIMITATIONS:

Do not install heater closer than 12 inches to the floor, 12 inches to an adjacent wall, 36 inches to the ceiling. Do not install heater behind towel rack or door, upside down or sideways, in the floor, in the ceiling, or in closets.

No matter the industry or application, Marley Engineered Products has a robust portfolio of innovative, reliable, high-performance comfort heating and ventilation solutions for all your heating needs.

For more information or assistance on your next project, contact Technical Services at 800-642-4328

Scan the QR code to access additional specs and features



Approvals: _____