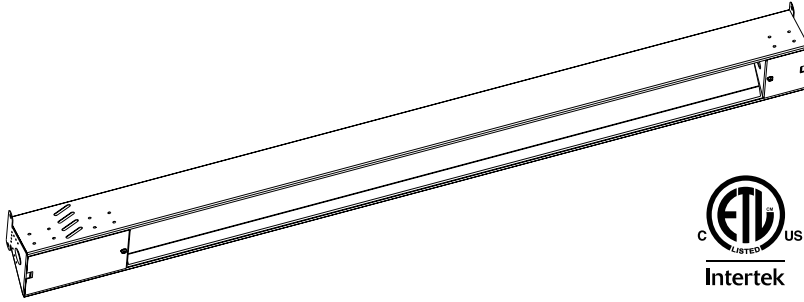




470 Beauty Spot Rd. E
Bennettsville, SC 29512

SUBMITTAL SHEET
HRK SERIES

**COMMERCIAL/INDUSTRIAL
SINGLE-ELEMENT INFRARED
HEATER**



CAPACITIES
46" or 57"
1500-3000 Watts
120, 208, 240, 277, 347, 480, or 600 Volts

See Selection Chart for all Options

JOB NAME: _____

LOCATION: _____

ARCHITECT: _____

ENGINEER: _____

CONTRACTOR: _____

SUBMITTED BY: _____ DATE: _____

TAG/ITEM	QTY.	CATALOG NUMBER	HEATER			AMPS	GRILLE FINISH	CEILING MOUNT
			KW	VOLTS	Ø			

ACCESSORIES AND CONTROLS	TAG/ITEM	QTY.	CATALOG NUMBER	DESCRIPTION

SUBMITTED BY:	DATE

APPROVED BY:	DATE

HRK SERIES - COMMERCIAL/INDUSTRIAL SINGLE-ELEMENT INFRARED HEATER

HRK SERIES ARCHITECT'S AND ENGINEER'S SPECIFICATIONS*

Furnish and install where indicated on the plans, Type HRK Single Element Infrared Heaters as manufactured by QMark®, A Division of Marley Engineered Products®, Bennettsville, SC.

Heaters shall be UL / cUL Listed and designed for horizontal indoor surface mounting. All capacities, voltages, physical sizes and options shall be as specified in the heater schedule. All heaters shall be single phase.

Enclosure shall be 20-gauge cold rolled steel, finished in a Polyester PGIC Powder Paint, with length as specified in the heater schedule.

Construction shall be a single piece design that allows one person installation and wiring

Reflector shall be one piece, snap-out, minimum .030 gold anodized aluminum with a beam angle of 60° symmetrical.

Element shall be quartz tube radiant heating type that transmit infrared rays generated by the heavy duty coiled element inside. The quartz tube shall have high thermal shock characteristics. Elements shall be equipped with threaded cold pins and hex nuts for more positive connections in severe conditions.

**QMark reserves the right to change specifications without prior notice.*

APPLICATION LIMITATIONS AND PRECAUTIONS:

Hazardous Atmosphere: These heaters are not suitable for use in hazardous locations.

Indoor Use Only

Mounting Clearances: Maintain minimum clearances of:

- 12" (305 mm) to vertical side walls
- 36" (914 mm) between heaters mounted side by side. Heaters may be mounted end to end.
- 3" (76 mm) to ceiling
- 8' (2.4m) to floor.

Maintain at least 5 ft. (1.5 m), in radiant path, between bottom of heater and combustible material.

Corrosive Atmospheres: The high quality finish and steel internal sheet metal parts will give excellent service under most operating conditions, including coastal salt air and most industrial atmospheres. However, the finish is not intended for direct salt spray exposure in marine applications or highly corrosive greenhouse, swimming pool, chemical storage or industrial atmospheres.

Models & Specifications:

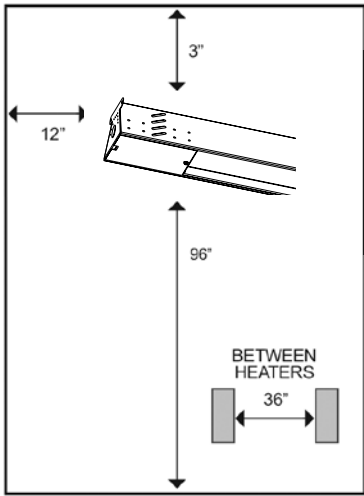
ITEM INFORMATION		ELECTRICAL DATA				DIMENSIONAL DATA	
CATALOG NO.	UPC	VOLTS	WATTS	BTU/HR.	AMPS	HEIGHT	SHIP WT.
HRK41512	685360082806	120	1500	5,118	12.5	46"	9 lbs
HRK42020	685360082813	208	2000	6,824	9.6	46"	9 lbs
HRK42024	685360082820	240	2000	6,824	8.3	46"	9 lbs
HRK53020	685360082882	208	3000	10,236	14.4	57"	11 lbs
HRK53024	685360082899	240	3000	10,236	12.5	57"	11 lbs
HRK42027	685360082837	277	2000	6,824	7.2	46"	9 lbs
HRK42034	685360082844	347	2000	6,824	5.8	46"	9 lbs
HRK42048	685360082868	480	2000	6,824	4.2	46"	9 lbs
HRK42060	685360082875	600	2000	6,824	3.3	46"	9 lbs
HRK53027	685360082905	277	3000	10,236	10.8	57"	11 lbs
HRK53034	685360082912	347	3000	10,236	8.6	57"	11 lbs
HRK53048	685360082936	480	3000	10,236	6.3	57"	11 lbs
HRK53060	685360082943	600	3000	10,236	5.0	57"	11 lbs

NOTE: Quartz Lamp: used indoors for spot heating. Maintain at least 5 ft. in radiant path, between bottom of heater and combustible material. Pigtail element leads for a more positive connection in high-traffic areas where physical abuse.

Optional Accessories:

CATALOG NO.	UPC	DESCRIPTION	COMPATIBLE WITH	CARTONS	SHIP WT.
HWG46	685360108506	Wire Guard	HRK4	1	1 lbs
HWG57	685360108513	Wire Guard	HRK5	1	1 ½ lbs

Dimensions and Clearances:



MOUNTING CLEARANCES

- 12 in. to vertical side walls
- 36 in. between heaters mounted side by side. Heaters may be mounted end to end.
- 3 in. to ceiling
- 96 in. to floor

No matter the industry or application, Marley Engineered Products has a robust portfolio of innovative, reliable, high-performance comfort heating and ventilation solutions for all your heating needs.

For more information or assistance on your next project, contact Technical Services at 800-642-4328

Scan the QR code to access additional specs and features



Approvals: _____