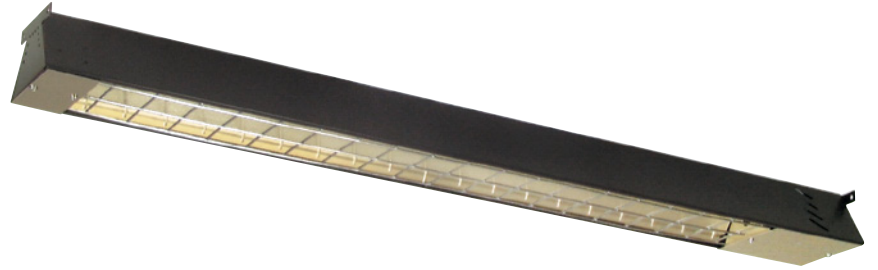
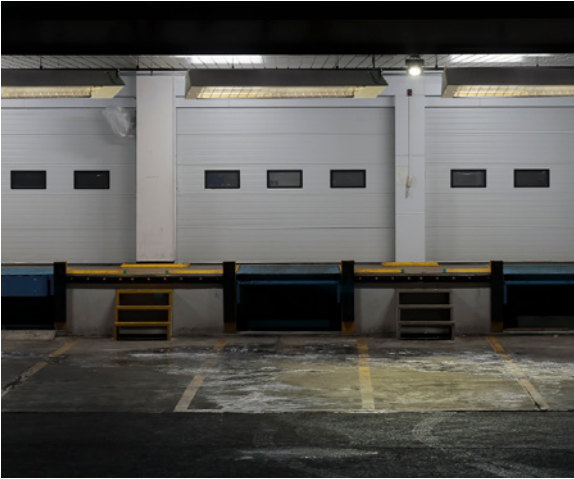


HRK SERIES

Commercial/Industrial Single-Element Infrared Heater

RADIANT HEATERS



Technical Specifications:

Element Type: Quartz Lamp
Reflection Angles: 60° Sym.

Ideal Spaces:

Parking Garages
Showrooms
Work Stations
Loading Docks
Aircraft Hangers
Warehouses



Bronze

- › Ideal for supplemental and spot heating
- › Soft, efficient comfort: heat people and objects not the air for optimal energy efficiency
- › Energy savings: provides a low cost energy efficient alternative to propane/gas heat
- › Uniform, localized heating: provides instant, fully directional space heating
- › Clean, safe comfort: no moving air/parts, no dust, no combustion, no fumes
- › Low maintenance with no moving parts or filters, minimal servicing needed
- › Heavy-duty gold anodized reflector has one of the highest levels for radiating heat energy
- › Optional HWG wire guard provides a protective safety screen preventing objects contacting hot element
- › Horizontal ceiling mount with supplied chains or to wall using the optional FRPWMB wall mounting bracket
- › High quality finish and steel internal sheet metal parts give excellent service under most operating conditions, including coastal salt air and most industrial atmospheres*

NOTE: Quartz Lamp: used indoors and outdoors for snow melting and spot heating.

*Finish not intended for direct salt spray exposure in marine applications or highly corrosive greenhouse, swimming pool, chemical storage or industrial atmospheres. Maintain at least 5 ft. in radiant path, between bottom of heater and combustible material. Pigtail element leads for a more positive connection in high-traffic areas where physical abuse.



HRK SERIES

Commercial/Industrial Single-Element Infrared Heater

Scan the QR code
to access additional
specs and features



Models & Specifications:

ITEM INFORMATION		ELECTRICAL DATA				DIMENSIONAL DATA	
CATALOG NO.	UPC	VOLTS	WATTS	BTU/HR.	AMPS	HEIGHT	SHIP WT.
● HRK41512	685360082806	120	1500	5,118	12.5	46"	9 lbs
● HRK42020	685360082813	208	2000	6,824	9.6	46"	9 lbs
● HRK42024	685360082820	240	2000	6,824	8.3	46"	9 lbs
● HRK53020	685360082882	208	3000	10,236	14.4	57"	11 lbs
● HRK53024	685360082899	240	3000	10,236	12.5	57"	11 lbs
● HRK42027	685360082837	277	2000	6,824	7.2	46"	9 lbs
● HRK42034	685360082844	347	2000	6,824	5.8	46"	9 lbs
● HRK42048	685360082868	480	2000	6,824	4.2	46"	9 lbs
● HRK42060	685360082875	600	2000	6,824	3.3	46"	9 lbs
● HRK53027	685360082905	277	3000	10,236	10.8	57"	11 lbs
● HRK53034	685360082912	347	3000	10,236	8.6	57"	11 lbs
● HRK53048	685360082936	480	3000	10,236	6.3	57"	11 lbs
● HRK53060	685360082943	600	3000	10,236	5.0	57"	11 lbs

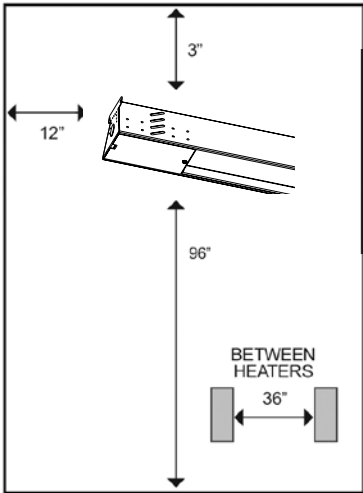
SKU Legend: ◆ = Popular Products ● = Extended Offering (Contact your local Marley Sales Representative for typically associated lead times)

NOTE: Quartz Lamp: used indoors for spot heating. Maintain at least 5 ft. in radiant path, between bottom of heater and combustible material. Pigtail element leads for a more positive connection in high-traffic areas where physical abuse.

Optional Accessories:

CATALOG NO.	UPC	DESCRIPTION	COMPATIBLE WITH	CARTONS	SHIP WT.
HWG46	685360108506	Wire Guard	HRK4	1	1 lbs
HWG57	685360108513	Wire Guard	HRK5	1	1 ½ lbs

Dimensions and Clearances:



MOUNTING CLEARANCES

- 12 in. to vertical side walls
- 36 in. between heaters mounted side by side. Heaters may be mounted end to end.
- 3 in. to ceiling
- 96 in. to floor

