

# EXPLOSION-PROOF Unit Heater

HARSH  
ENVIRONMENT  
PRODUCTS

## Technical Specifications:

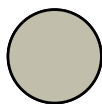
Temp Range: 50°-120°F (10°-49°C)  
CFM: 550-3850

## Classes:

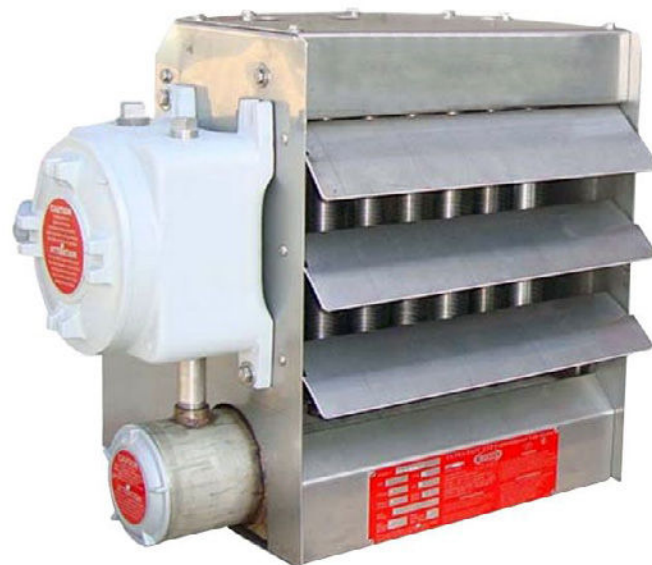
Class I, Divisions 1 and 2, Groups C & D  
Class II, Divisions 1 and 2, Groups E, F & G  
Class I, Zones 1 and 2, Group IIB

## Ideal Spaces:

Aircraft Hangars/Service Areas  
Chemical Storage/Handling Areas  
Coal Preparation Plants  
Compressor Stations  
Grain Elevators & Petrochemical Plants  
Oil Refineries & Rigs  
Paint Storage Areas & Spray Booths  
Sewage Pump Stations  
Treatment Plants



Beige



- › Corrosion-resistant constructions suitable for most applications
  - Welded steel heat exchanger with powder-coated cabinet for dry, non-corrosive areas includes
  - 316 stainless steel for waste water treatment plants
  - Heresite® coating for chemical plants with chlorides
  - IP55 motor and type 4 outdoor rated enclosure for wet locations—meets UL 1004-1 raintight requirements
- › Industry's lowest ignition temperature code rating, T3C, 320°F (160°C)
- › Automatic and manual reset overtemperature cutouts
- › Low 70 PSIG relief valve setting—in an emergency, the initial escaping vapor is below the ignition temperature

### Standard Construction Features:

- › Industrial grade, corrosion resistant cabinet/louvers fabricated from beige powder coated 14-gauge galvanized steel with minimum opening safety stops
- › Industrial grade heating elements are treated, to provide freeze protection as low as -49°F (-45°C)
- › The prewired fan motor assembly has double-shielded, permanently lubricated ball bearings and automatic reset line breaking thermal overload protection—separate field wiring to the motor is not required
- › Factory built-in controls include overtemperature cutouts, controlling magnetic contactor, and 24-volt control circuit transformer housed in a NEMA 7, 9 cast aluminum enclosure



C US



# EXPLOSION-PROOF

## Unit Heater

### 60 Hz Models & Specifications:

| ITEM INFORMATION   |  | ELECTRICAL DATA |       |             |     | MOTOR |      |                    | AIR FLOW |      |       | FRAME SIZE | SHIP WT. |
|--------------------|--|-----------------|-------|-------------|-----|-------|------|--------------------|----------|------|-------|------------|----------|
| CATALOG NO.        |  | VOLTS           | PHASE | TOTAL AMPS* | KW  | HP    | RPM  | FAN BLADE DIAMETER | RISE**   | CFM  | THROW |            |          |
| ● GUX-233-FA-0036C |  | 208             | 1     | 17          | 3.0 | ¼     | 1725 | 12"                | 15°F     | 650  | 15"   | 1          | 130 lbs  |
| ● GUX-233-FA-0036J |  | 240             | 1     | 15          |     | ¼     | 1725 | 12"                | 15°F     | 650  | 15"   | 1          | 130 lbs  |
| ● GUX-233-FA-0036D |  | 208             | 3     | 10          |     | ¼     | 1725 | 12"                | 15°F     | 650  | 15"   | 1          | 130 lbs  |
| ● GUX-233-FA-0036K |  | 240             | 3     | 9           |     | ¼     | 1725 | 12"                | 15°F     | 650  | 15"   | 1          | 130 lbs  |
| ● GUX-233-FA-0036U |  | 480             | 3     | 5           |     | ¼     | 1725 | 12"                | 15°F     | 650  | 15"   | 1          | 130 lbs  |
| ● GUX-233-FA-0036Z |  | 600             | 3     | 4           |     | ¼     | 1725 | 12"                | 15°F     | 650  | 15"   | 1          | 130 lbs  |
| ● GUX-233-FA-0056C |  | 208             | 1     | 26          | 5.0 | ¼     | 1725 | 12"                | 25°F     | 650  | 15"   | 1          | 130 lbs  |
| ● GUX-233-FA-0056J |  | 240             | 1     | 23          |     | ¼     | 1725 | 12"                | 25°F     | 650  | 15"   | 1          | 130 lbs  |
| ● GUX-233-FA-0056D |  | 208             | 3     | 16          |     | ¼     | 1725 | 12"                | 25°F     | 650  | 15"   | 1          | 130 lbs  |
| ● GUX-233-FA-0056K |  | 240             | 3     | 14          |     | ¼     | 1725 | 12"                | 25°F     | 650  | 15"   | 1          | 130 lbs  |
| ● GUX-233-FA-0056U |  | 480             | 3     | 7           |     | ¼     | 1725 | 12"                | 25°F     | 650  | 15"   | 1          | 130 lbs  |
| ● GUX-233-FA-0056Z |  | 600             | 3     | 6           |     | ¼     | 1725 | 12"                | 25°F     | 650  | 15"   | 1          | 130 lbs  |
| ● GUX-233-FA-0086C |  | 208             | 1     | 38          | 7.5 | ¼     | 1725 | 12"                | 28°F     | 850  | 25"   | 1          | 130 lbs  |
| ● GUX-233-FA-0086J |  | 240             | 1     | 34          |     | ¼     | 1725 | 12"                | 28°F     | 850  | 25"   | 1          | 130 lbs  |
| ● GUX-233-FA-0086D |  | 208             | 3     | 23          |     | ¼     | 1725 | 12"                | 28°F     | 850  | 25"   | 1          | 130 lbs  |
| ● GUX-233-FA-0086K |  | 240             | 3     | 20          |     | ¼     | 1725 | 12"                | 28°F     | 850  | 25"   | 1          | 130 lbs  |
| ● GUX-233-FA-0086U |  | 480             | 3     | 10          |     | ¼     | 1725 | 12"                | 28°F     | 850  | 25"   | 1          | 130 lbs  |
| ● GUX-233-FA-0086Z |  | 600             | 3     | 9           |     | ¼     | 1725 | 12"                | 28°F     | 850  | 25"   | 1          | 130 lbs  |
| ● GUX-233-FA-0106J |  | 240             | 1     | 44          | 10  | ¼     | 1725 | 12"                | 38°F     | 850  | 25"   | 1          | 130 lbs  |
| ● GUX-233-FA-0106D |  | 208             | 3     | 30          |     | ¼     | 1725 | 12"                | 38°F     | 850  | 25"   | 1          | 130 lbs  |
| ● GUX-233-FA-0106K |  | 240             | 3     | 26          |     | ¼     | 1725 | 12"                | 38°F     | 850  | 25"   | 1          | 130 lbs  |
| ● GUX-233-FA-0106U |  | 480             | 3     | 13          |     | ¼     | 1725 | 12"                | 38°F     | 850  | 25"   | 1          | 130 lbs  |
| ● GUX-233-FA-0106Z |  | 600             | 3     | 11          |     | ¼     | 1725 | 12"                | 38°F     | 850  | 25"   | 1          | 130 lbs  |
| ● GUX-233-FB-0156D |  | 208             | 3     | 44          |     | 15    | ¼    | 1725               | 16"      | 27°F | 1800  | 45"        | 2        |
| ● GUX-233-FB-0156K |  | 240             | 3     | 38          | ¼   |       | 1725 | 16"                | 27°F     | 1800 | 45"   | 2          | 169 lbs  |
| ● GUX-233-FB-0156U |  | 480             | 3     | 19          | ¼   |       | 1725 | 16"                | 27°F     | 1800 | 45"   | 2          | 169 lbs  |
| ● GUX-233-FB-0156Z |  | 600             | 3     | 16          | ¼   |       | 1725 | 16"                | 27°F     | 1800 | 45"   | 2          | 169 lbs  |
| ● GUX-233-FB-0206U |  | 480             | 3     | 25          | 20  | ¼     | 1725 | 16"                | 35°F     | 1800 | 45"   | 2          | 169 lbs  |
| ● GUX-233-FB-0206Z |  | 600             | 3     | 21          |     | ¼     | 1725 | 16"                | 35°F     | 1800 | 45"   | 2          | 169 lbs  |
| ● GUX-233-FC-0256U |  | 480             | 3     | 31          | 25  | ½     | 1725 | 20"                | 26°F     | 3110 | 65"   | 3          | 216 lbs  |
| ● GUX-233-FC-0256Z |  | 600             | 3     | 25          |     | ½     | 1725 | 20"                | 26°F     | 3110 | 65"   | 3          | 216 lbs  |
| ● GUX-233-FC-0306U |  | 480             | 3     | 37          | 30  | ½     | 1725 | 20"                | 25°F     | 3850 | 75"   | 3          | 216 lbs  |
| ● GUX-233-FC-0306Z |  | 600             | 3     | 30          |     | ½     | 1725 | 20"                | 25°F     | 3850 | 75"   | 3          | 216 lbs  |

SKU Legend: ● = Popular Products ● = Extended Offering ■ = Made to Order (Contact your local Marley Sales Representative for typically associated lead times)

\*Total Amps = Heating element and motor amps. \*\*Approximate air temperature rise

# EXPLOSION-PROOF Unit Heater

## 50 Hz Models & Specifications:

| ITEM INFORMATION |                  | ELECTRICAL DATA |       |            |      | MOTOR |      |                    | AIR FLOW |      |       | FRAME SIZE | SHIP WT. |
|------------------|------------------|-----------------|-------|------------|------|-------|------|--------------------|----------|------|-------|------------|----------|
| CATALOG NO.      |                  | VOLTS           | PHASE | TOTAL AMPS | KW   | HP    | RPM  | FAN BLADE DIAMETER | RISE**   | CFM  | THROW |            |          |
| ■                | GUX-233-FA-0036E | 220             | 1     | 14         | 2.5  | ¼     | 1438 | 12"                | 14°F     | 550  | 13"   | 1          | 130 lbs  |
| ■                | GUX-233-FA-0036F | 220             | 3     | 9          |      | ¼     | 1438 | 12"                | 14°F     | 550  | 13"   | 1          | 130 lbs  |
| ■                | GUX-233-FA-0036G | 380             | 3     | 6          |      | ¼     | 1438 | 12"                | 14°F     | 550  | 13"   | 1          | 130 lbs  |
| ■                | GUX-233-FA-0036H | 400             | 3     | 6          |      | ¼     | 1438 | 12"                | 14°F     | 550  | 13"   | 1          | 130 lbs  |
| ■                | GUX-233-FA-0036I | 415             | 3     | 5          |      | ¼     | 1438 | 12"                | 14°F     | 550  | 13"   | 1          | 130 lbs  |
| ■                | GUX-233-FA-0056E | 220             | 1     | 21         | 4.2  | ¼     | 1438 | 12"                | 24°F     | 550  | 13"   | 1          | 130 lbs  |
| ■                | GUX-233-FA-0056F | 220             | 3     | 13         |      | ¼     | 1438 | 12"                | 24°F     | 550  | 13"   | 1          | 130 lbs  |
| ■                | GUX-233-FA-0056G | 380             | 3     | 9          |      | ¼     | 1438 | 12"                | 24°F     | 550  | 13"   | 1          | 130 lbs  |
| ■                | GUX-233-FA-0056H | 400             | 3     | 8          |      | ¼     | 1438 | 12"                | 24°F     | 550  | 13"   | 1          | 130 lbs  |
| ■                | GUX-233-FA-0056I | 415             | 3     | 7          |      | ¼     | 1438 | 12"                | 24°F     | 550  | 13"   | 1          | 130 lbs  |
| ■                | GUX-233-FA-0076E | 220             | 1     | 31         | 6.3  | ¼     | 1438 | 12"                | 28°F     | 700  | 22"   | 1          | 130 lbs  |
| ■                | GUX-233-FA-0076F | 220             | 3     | 19         |      | ¼     | 1438 | 12"                | 28°F     | 700  | 22"   | 1          | 130 lbs  |
| ■                | GUX-233-FA-0076G | 380             | 3     | 12         |      | ¼     | 1438 | 12"                | 28°F     | 700  | 22"   | 1          | 130 lbs  |
| ■                | GUX-233-FA-0076H | 400             | 3     | 11         |      | ¼     | 1438 | 12"                | 28°F     | 700  | 22"   | 1          | 130 lbs  |
| ■                | GUX-233-FA-0076I | 415             | 3     | 10         |      | ¼     | 1438 | 12"                | 28°F     | 700  | 22"   | 1          | 130 lbs  |
| ■                | GUX-233-FA-0096E | 220             | 1     | 40         | 8.4  | ¼     | 1438 | 12"                | 38°F     | 700  | 22"   | 1          | 130 lbs  |
| ■                | GUX-233-FA-0096F | 220             | 3     | 24         |      | ¼     | 1438 | 12"                | 38°F     | 700  | 22"   | 1          | 130 lbs  |
| ■                | GUX-233-FA-0096G | 380             | 3     | 15         |      | ¼     | 1438 | 12"                | 38°F     | 700  | 22"   | 1          | 130 lbs  |
| ■                | GUX-233-FA-0096H | 400             | 3     | 13         |      | ¼     | 1438 | 12"                | 38°F     | 700  | 22"   | 1          | 130 lbs  |
| ■                | GUX-233-FA-0096I | 415             | 3     | 13         |      | ¼     | 1438 | 12"                | 38°F     | 700  | 22"   | 1          | 130 lbs  |
| ■                | GUX-233-FB-0136F | 220             | 3     | 35         | 12.5 | ¼     | 1438 | 16"                | 26°F     | 1500 | 39"   | 2          | 169 lbs  |
| ■                | GUX-233-FB-0136G | 380             | 3     | 21         |      | ¼     | 1438 | 16"                | 26°F     | 1500 | 39"   | 2          | 169 lbs  |
| ■                | GUX-233-FB-0136H | 400             | 3     | 19         |      | ¼     | 1438 | 16"                | 26°F     | 1500 | 39"   | 2          | 169 lbs  |
| ■                | GUX-233-FB-0136I | 415             | 3     | 18         |      | ¼     | 1438 | 16"                | 26°F     | 1500 | 39"   | 2          | 169 lbs  |
| ■                | GUX-233-FB-0176F | 220             | 3     | 46         | 16.7 | ¼     | 1438 | 16"                | 35°F     | 1500 | 39"   | 2          | 169 lbs  |
| ■                | GUX-233-FB-0176G | 380             | 3     | 28         |      | ¼     | 1438 | 16"                | 35°F     | 1500 | 39"   | 2          | 169 lbs  |
| ■                | GUX-233-FB-0176H | 400             | 3     | 25         |      | ¼     | 1438 | 16"                | 35°F     | 1500 | 39"   | 2          | 169 lbs  |
| ■                | GUX-233-FB-0176I | 415             | 3     | 24         |      | ¼     | 1438 | 16"                | 35°F     | 1500 | 39"   | 2          | 169 lbs  |
| ■                | GUX-233-FC-0216G | 380             | 3     | 33         | 21   | ½     | 1438 | 20"                | 26°F     | 2600 | 57"   | 3          | 216 lbs  |
| ■                | GUX-233-FC-0216H | 400             | 3     | 32         |      | ½     | 1438 | 20"                | 26°F     | 2600 | 57"   | 3          | 216 lbs  |
| ■                | GUX-233-FC-0216I | 415             | 3     | 31         |      | ½     | 1438 | 20"                | 26°F     | 2600 | 57"   | 3          | 216 lbs  |
| ■                | GUX-233-FC-0256G | 380             | 3     | 39         | 25   | ½     | 1438 | 20"                | 30°F     | 2600 | 57"   | 3          | 216 lbs  |
| ■                | GUX-233-FC-0256H | 400             | 3     | 37         |      | ½     | 1438 | 20"                | 30°F     | 2600 | 57"   | 3          | 216 lbs  |
| ■                | GUX-233-FC-0256I | 415             | 3     | 36         |      | ½     | 1438 | 20"                | 30°F     | 2600 | 57"   | 3          | 216 lbs  |

SKU Legend: ■ = Popular Products ● = Extended Offering ■ = Made to Order (Contact your local Marley Sales Representative for typically associated lead times)

\*Total Amps = Heating element and motor amps

# EXPLOSION-PROOF

## Unit Heater

### Factory Built-in Options:

|   | CATALOG NO. | OPTION  | DESCRIPTION   |
|---|-------------|---|---|
| ■ | C1          | 316 Stainless Steel Corrosion-Resistant Construction (Waste Water Treatment Plants) | 316 Stainless steel heat exchanger with aluminum fins, 316 stainless steel cabinet; aluminum fan blade; cast aluminum NEMA 7, 9 control enclosure; corrosion-resistant hardware; corrosion-resistant protective coated motor, which has passed the ASTM B117 salt-spray test. |
| ■ | C2          | Dirty Duty Corrosion-Resistant Construction (Chemical Plants)                       | Heresite® coated heat exchanger, cabinet and fan blade; cast aluminum NEMA 7, 9 control enclosure; corrosion-resistant hardware; corrosion-resistant protective coated motor which has passed the ASTM B117 salt-spray test.  |
| ● | D           | Disconnect Switch   | Factory installed on the unit heater above the control enclosure. This is an inexpensive and positive way to meet NEC/CEC requirements for a disconnecting means within sight of the heater.  |
| ■ | E           | Group E (Metal Dust) Construction   | Class II, Group E (Metal Dust) Construction Temperature Code T3C, 320° F (160°C). <b>Cannot be installed with W.</b>  |
| ● | K           | "Warning" Pilot Light   | Indicates when the thermal cutouts have tripped and the unit heater needs servicing. <b>Not available with combination V &amp; L.</b>   |
| ● | L           | "Heater On" Pilot Light   | Indicates when the electric heating elements are energized. <b>Not available with combination V &amp; K</b>   |
| ● | M           | Manual Reset Thermal Cutout with Backup Contactor                                   | A pilot duty manual reset thermal cutout with a backup contactor is provided for independent secondary overtemperature protection. <b>Cannot be installed with S, S1 or V.</b>  |
| ● | S           | Auto/Fan Selector Switch  | A two-position switch wired to the control circuit for auto (automatic heat) and fan only control. <b>Cannot be installed with M, V or S1.</b>  |
| ● | S1          | Built-In Controls for Remote Auto/Fan Selector Switch                               | Unit is prewired for field addition of remote auto/fan selector switch. <b>Cannot be installed with M, V or S.</b>  |
| ● | T           | Adjustable Thermostat   | Factory installed and prewired to the control enclosure. Thermostat is adjustable from 50° to 90° F (10° to 32°C). <b>Cannot be installed with W.</b>   |
| ● | T1          | Adjustable Thermostat for Wet Locations   | Factory installed and prewired to the control enclosure. Thermostat is adjustable from 40° to 80° F (5° to 25°C). Can be specified for all constructions.   |
| ● | V           | 120 Volt Control Circuit  | Can be provided when required for special external thermostat circuit. <b>Cannot be installed with S, S1, M or the combination of both K &amp; L together.</b>  |
| ● | W           | Wet Location Construction Features - IP55   | Unit provided with components suitable for IP55 wet locations. Requires dirty duty corrosion-resistant or 316 stainless steel corrosion-resistance construction option. <b>Cannot be installed with T or E. Must have options C1 or C2.</b>                                   |

SKU Legend: ◆ = Popular Products ● = Extended Offering ■ = Made to Order (Contact your local Marley Sales Representative for typically associated lead times)

Note: Both pilot lights (K & L) are not available with 120V option (V). Only one pilot light can be ordered with 120V control heaters.

### Standard Mounting Kits:

| CATALOG NO. | DESCRIPTION          |
|-------------|----------------------|
| 1022451     | Ceiling Mounting Kit |
| 1022454     | Wall Mounting Kit    |
| 1022457     | Pole Mounting Kit    |

Note: One kit required per heater. Work with all frame sizes

### Optional Mounting Kits for Class 1 or Class 2:

| CATALOG NO. | DESCRIPTION                              |
|-------------|--|
| 1022451-S   | Corrosion Resistant Ceiling Mounting Kit |
| 1022454-S   | Corrosion Resistant Wall Mounting Kit    |
| 1022457-S   | Corrosion Resistant Pole Mounting Kit    |

Note: One kit required per heater. Work with all frame sizes

### Accessory Remote Thermostats:

| CATALOG NO. | SWITCH TYPE   | TYPE | RATING                  | TEMP RANGE          | DESCRIPTION  |
|-------------|---|------|-------------------------|---------------------|--|
| 1007002     | Bimetal   | SPDT | 125-277V, 22A           | 50°-90°F (10°-32°C) | Class I, Div. 1, Groups C & D. Class II, Div. 1, Groups E, F, & G                          |
| QX-1024754  | Bulb and Capillary with Internal Set Point Adjustment | SPDT | 120-240V, 25A 277V, 22A | 40°-120°F (5°-49°C) | Class I, Div. 1, Groups B, C & D. Class II, Div. 1, Groups E, F, & G                       |
| QX-1025396  |   | SPST | 120-240V, 25A 277V, 22A | 40°-120°F (5°-49°C) | Corrosion-Resistant Class I, Div. 1, Groups B, C, & D. Class II, Div. 1, Groups E, F & G   |
| 1036506     | Bimetal   | SPDT | 480V, 15A               | 40°-80°F (5°-25°C)  | Class I, Div. 1, Groups C & D. Class II, Div. 1, Groups E, F, & G. Class III. IP66, Type 4 |

### Remote Fan Switch:

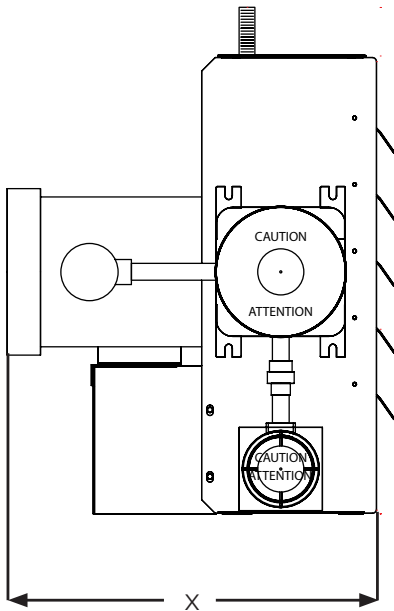
| CATALOG NO. | SWITCH TYPE | RATING        | HUBS            | DESCRIPTION   |
|-------------|-------------|---------------|-----------------|---|
| 1001744     | 2-Position  | 120/277V, 30A | (2) ¾" NPT Hubs | Class I, Div. 1, Groups C & D. Class II, Div. 1, Groups E, F, & G. Class III          |
| 1031042     | 2-Position  | 110V, 6A      |                 | Class I, Div. 1, Groups C & D. Class II, Div. 1, Groups E, F, & G. Class III. NEMA 4X |

# EXPLOSION-PROOF Unit Heater

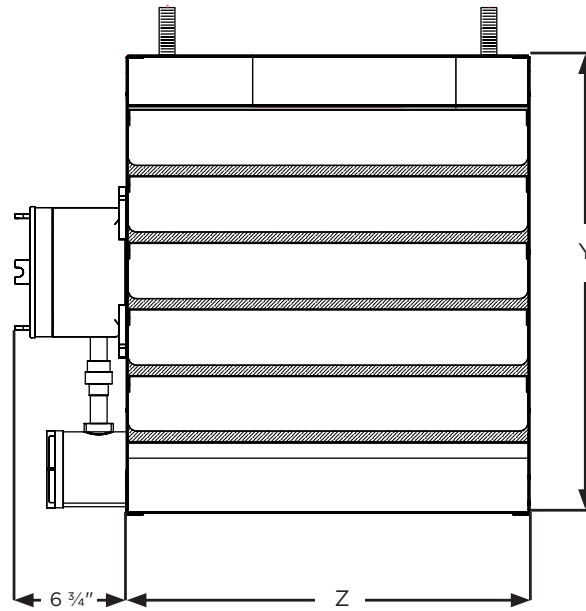
Scan the QR code  
to access additional  
specs and features



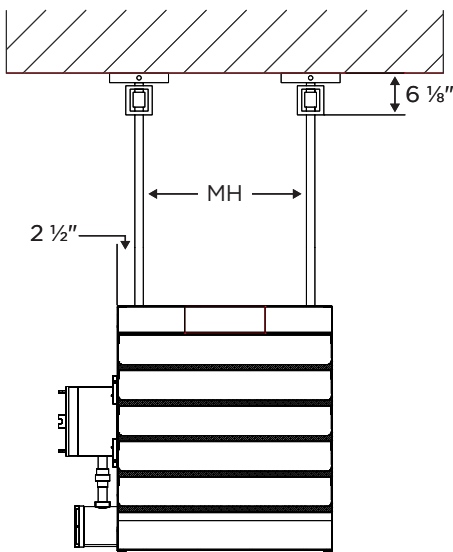
## Dimensions and Clearances:



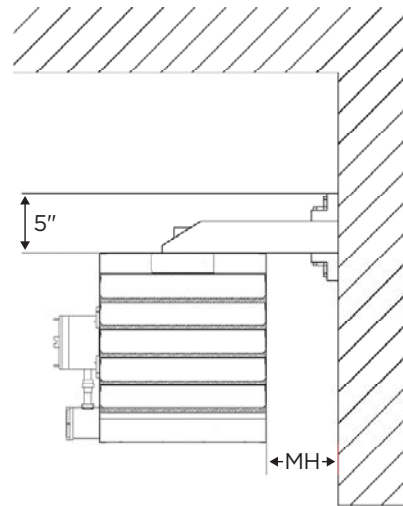
Side View



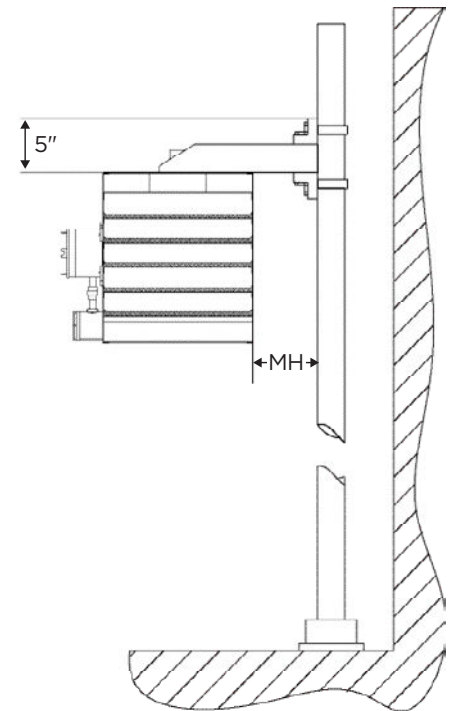
Front View



Ceiling Mounting Kit



Wall Mounting Kit



Pole Mounting Kit

| SIZE | X       | Y       | Z        | MH       | MW |
|------|---------|---------|----------|----------|----|
| 1    | 22 1/2" | 19 3/8" | 16 1/16" | 11 1/16" | 9" |
| 2    | 22 1/2" | 23 3/8" | 20 3/16" | 15 1/16" | 7" |
| 3    | 22 3/4" | 27 3/8" | 24 3/16" | 19 1/16" | 5" |