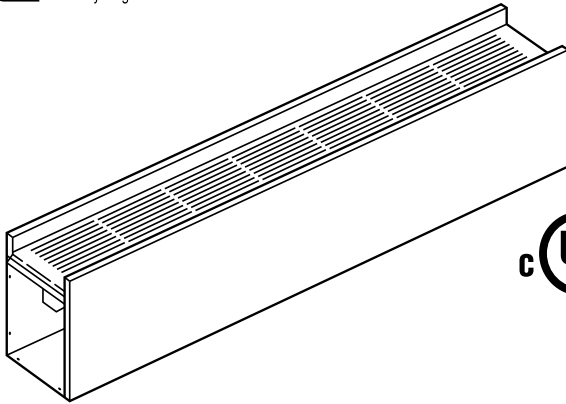




470 Beauty Spot Rd. E  
Bennettsville, SC 29512

SUBMITTAL SHEET  
DSH SERIES  
**DECORATIVE  
SILL-HEIGHT STEEL  
CONVECTOR**

See Selection Chart for Options



**DSH SERIES - DECORATIVE SILL-HEIGHT STEEL CONVECTOR**

JOB NAME: \_\_\_\_\_

LOCATION: \_\_\_\_\_

ARCHITECT: \_\_\_\_\_

ENGINEER: \_\_\_\_\_

CONTRACTOR: \_\_\_\_\_

SUBMITTED BY: \_\_\_\_\_ DATE: \_\_\_\_\_

TAG/ITEM	QTY.	CATALOG NUMBER	HEATER		AMPS	LENGTH	BUILT-IN CONTROLS
			KW	VOLTS			

ACCESSORIES AND CONTROLS	TAG/ITEM	QTY.	CATALOG NUMBER	DESCRIPTION

SUBMITTED BY:	DATE

APPROVED BY:	DATE

# DSH SERIES ARCHITECT'S AND ENGINEER'S SPECIFICATIONS\*

Heaters shall be low profile (3" x 5 1/2", 5" x 7", 5" x 14") and available in lengths from 28 inches through 10 feet.

Enclosures shall be 16-gauge, furniture quality steel with reinforced, all welded construction; designed to withstand heavy-duty commercial and institutional use.

Enclosures shall be chemically-treated to resist corrosion. Finish shall be mar and temperature-resistant to retain contemporary appearance throughout years of rough use.

For safety, the electric heating bank shall consist of metal sheath heating elements. The elements shall have a copper clad steel sheath for strength and corrosion resistance, and aluminum fins for faster heat transfer.

One, two, or three, low density elements shall be installed side-by-side on the same plane to uniformly warm all incoming air. Elements shall be center-anchored and shall float freely on each end through nylon bushings for quietness.

Discharge louvers shall be an extruded aluminum bar grille painted bronze brown to contrast with the neutral grey front finish. The bar grille with contrasting finish shall ensure a clean, decorative finish.

A 1/4-inch mesh screen shall be installed beneath the discharge grille to deter the insertion of foreign objects.

Optional built-in controls shall include single-pole, double-pole, or two-stage thermostats, power on/off switch, transformer relay and power relay. The thermostat shall be capable of controlling multiple units on a pilot duty circuit. (Observe the control limitations indicated.) Thermostat

adjustment shall be with a thin-bladed screwdriver through the discharge louvers and shall be considered tamper-resistant.

An automatic reset thermal overheat protector shall run the full-length of the heater and shall turn off heating elements should overheating occur at any point along heating length. Overheat protector shall restore operation automatically when cause of overheating is removed. Heaters shall be designed with a built-in prewired race-way to enable multiple unit wiring from one feeder source.

Back panel shall be one piece heavy gauge painted steel, completely finished, and shall be suitable for mullion-to-mullion mounting in front of a glass curtain wall.

28-inch control sections, finished to match the heating units, shall be available with factory built-in mercury contactors, circuit breakers, control transformer, P.E. switch, or SCR controls. This control section shall also be furnished blank, as an optional accessory, for field installation of controls.

All heaters and electrical accessories shall be labeled by Underwriters' Laboratories, Inc.

Accessories shall include end caps, blank sections (28" blank sections shall be designed for field-cutting), inside and outside corners, splice plates, and telescoping filler sections. All accessories shall be completely enclosed to enable the installer to pull standard wiring from heater to heater through the accessories.

*\*QMark reserves the right to change specifications without prior notice.*

## APPLICATION LIMITATIONS AND PRECAUTIONS

**Hazardous Atmosphere:** Because the possibility of a concealed spark can exist from the built-in over-head cutout, heaters should not be used in potentially explosive atmospheres.

**Corrosive Atmosphere:** The high quality finish and steel internal sheet metal parts will give excellent service under most operating conditions, including coastal salt air and industrial atmospheres. However, the finish is not intended for direct salt spray exposure in marine application or highly corrosive greenhouse, swimming pool, chemical storage or industrial atmospheres.

**Cleanliness:** Although specifically designed for mounting below window areas, heaters can be installed on plaster, wood paneled, metal, masonry or composition wall surfaces with reasonable expectation of clean wall operation. Should some soiling occur, after a period of years, smooth walls may be cleaned with standard maintenance materials. For deep textured walls, consideration should be given to choice of enclosure height and watt per foot capacity—generally, the enclosure with lowest surface temperature will have the least soiling tendency.

**Comfort:** Optimum room comfort results when heater is mounted just below the window sill, since window cold down draft is eliminated and maximum convection air distribution without stratification is maintained throughout the room. Because of the tendency for warm air to stratify, installing heaters close to the ceiling is not recommended. If it should be necessary, at least 18" clearance above the air discharge must be maintained. Bottom of heaters are not intended for attractive appearance when mounted above eye level.

**Air Throw:** Since heaters provide only natural convection air throw, they are not recommended for combating cold outside air blasts through high traffic, main entry ways and vestibules. Heaters will maintain satisfactory comfort conditions in low traffic, side entry ways and vestibules, but for most entry ways, faster response fan driven heaters would be preferred.

Curtains, drapes or blinds should clear the top of the heater by at least six inches. See I for vinyl blinds. Never permit draperies to completely cover the unit.

Furniture should be placed so it does not touch the heater and so it does not completely block the air vents. Allow at least 4" free space between furniture and the heaters.

**Recess mounting:** UL labeled for free standing wall surface mounting only. Not recommended for mounting behind built-in book shelves, storage cabinets, window seats, etc.

In institutional applications such as hospitals, nursing homes, child day-care centers and clinics, it is recommended that low-watt density convectors be used to provide optimum comfort at lowest case temperatures.

Due to variations in vinyl compositions and their potential to discolor, the use of stand-off brackets (SO1 or SO2) and/or specifying the lower watt density unit may be required when installing on vinyl wall-coverings or under vinyl window dressings.

Prior to setting specifications, consult factory for installation recommendations.

**5 1/2" x 3" – Single Element Lengths**

Length	28"	3'	4'	5'	6'	8'	10'
Shipping Weight	11 lbs	15 lbs	18 lbs	25 lbs	29 lbs	38 lbs	47 lbs

NOTE: All models are NON-STOCK, MADE-TO-ORDER. When ordering, specify quantity, catalog number, voltage, wattage, optional controls, and color. Consult sales representative for lead times.

**Watts per Ft.\***

125	188
250	

**Voltages\***

120	208	240
277	347	600

**7" x 5" & 14" x 5" – Multiple Elements Lengths**

Length	28"	3'	4'	5'	6'	8'	10'
Shipping Weight	7" x 5"	17 lbs	21 lbs	28 lbs	35 lbs	42 lbs	56 lbs
	14" x 5"	25 lbs	32 lbs	42 lbs	53 lbs	60 lbs	80 lbs
		70 lbs	100 lbs				

NOTE: All models are NON-STOCK, MADE-TO-ORDER. When ordering, specify quantity, catalog number, voltage, wattage, optional controls, and color. Consult sales representative for lead times.

**Watts per Ft.\***

1 Element*	125	188	250
2 Elements*	375	500	
3 Elements*	564	625	750

**Voltages\***

Single Phase*	208	240	277
	347	600	
Three Phase*	208	240	600

\*Specs vary by length. Refer to the submittal sheet for full details.

**Optional Accessories:**

CATALOG NO.	COMPATIBLE WITH	HEIGHT	DEPTH	LENGTH	SHIP WT.
DSH05BL2*	DSH05	5 1/2"	3"	28"	10 lbs
DSH05BL3*				3'	13 lbs
DSH05BL4*				4'	17 lbs
DSH05BL5*				5'	21 lbs
DSH05BL6*				6'	25 lbs
DSH05BL8*				8'	32 lbs
DSH05BL10*				10'	42 lbs
DSH07BL2*				DSH07	7"
DSH07BL3*	3'	18 lbs			
DSH07BL4*	4'	24 lbs			
DSH07BL5*	5'	30 lbs			
DSH07BL6*	6'	36 lbs			
DSH07BL8*	8'	48 lbs			
DSH07BL10*	10'	60 lbs			
DSH14BL2*	DPH05	14"	5"		
DSH14BL3*				3'	29 lbs
DSH14BL4*				4'	38 lbs
DSH14BL5*				5'	48 lbs
DSH14BL6*				6'	57 lbs
DSH14BL8*				8'	76 lbs
DSH14BL10*				10'	95 lbs

Outlet Mesh: Price per foot. 14-Gauge Front Cover: add 10% to heater price. Standard color included in base price. Other colors available. See paint policy page for information on custom paint colors. Maximum of 250 watts per ft. on front outlet models. When ordering, specify heater catalog number, voltage, phase, suffix catalog number for built-in controls, color, and options. 2. If color is not specified, front covers will be Beige. Front outlet models available only in 14 in. height and 125, 188 and 250 Wt./Ft. configuration. Outlet mesh is not available on front outlet models.

\* Additional length the accessory adds to the total installation length. \*\* Built-in duplex receptacle available. Add model numbers suffix "-1" for bottom inlet - top outlet; add suffix "-3" for bottom inlet - front outlet.

**Dimensions and Clearances:**

Cat. No.	Dimensions	
	H	D
DSH05A	5 1/2"	3"
DSH07A	7"	5"
DSH14A	14"	5"

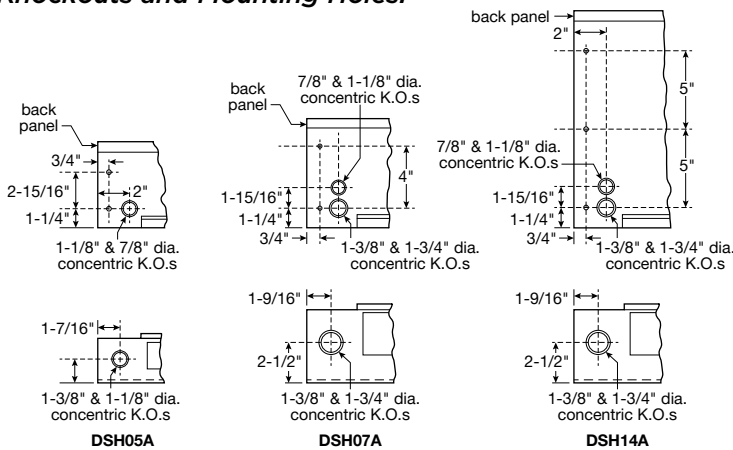
**Optional Accessories:**

	CATALOG NO.	COMPATIBLE WITH	HEIGHT	DEPTH	LENGTH	ADDITIONAL LENGTH	SHIP WT.
<b>END CAPS</b> LEFT	DSH14DSH05ECL**	DSH05	5 1/2"	2 1/2"	-	1/8"	1 lbs
	DSH07ECL**	DSH07	7"	4 1/4"			1 lbs
	DSH14ECL**	DSH14	14"	4 1/4"			1 lbs
<b>END CAPS</b> RIGHT	DSH05ECR**	DSH05	5 1/2"	2 1/2"	-	1/8"	1 lbs
	DSH07ECR**	DSH07	7"	4 1/4"			1 lbs
	DSH14ECR**	DSH14	14"	4 1/4"			1 lbs
<b>FILLER SECTIONS</b>	DSH05FL3	DSH05	5 1/2"	5 1/8"	4	0-3	1 lbs
	DSH07FL3	DSH07	7"	6 1/8"			2 lbs
	DSH14FL3	DSH14	14"	13 1/8"			3 lbs
	DSH05FL6**	DSH05	5 1/8"	2 1/2"	7	3-6	2 lbs
	DSH07FL6**	DSH07	6 1/8"	4 1/2"			3 lbs
	DSH14FL6**	DSH14	13 1/8"	4 1/2"			5 lbs
	DSH05FL9**	DSH05	5 1/8"	2 1/2"	10	6-9	3 lbs
	DSH07FL9**	DSH07	6 1/8"	4 1/2"			4 lbs
	DSH14FL9**	DSH14	13 1/8"	4 1/2"			6 lbs
	DSH05FL12**	DSH05	5 1/8"	2 1/2"	13	9-12	4 lbs
	DSH07FL12**	DSH07	6 1/8"	4 1/2"			5 lbs
	DSH14FL12**	DSH14	13 1/8"	4 1/2"			8 lbs
	DSH05FL18**	DSH05	5 1/8"	2 1/2"	19	15-18	5 lbs
	DSH07FL18**	DSH07	6 1/8"	4 1/2"			6 lbs
	DSH14FL18**	DSH14	13 1/8"	4 1/2"			9 lbs
<b>CORNERS</b> INSIDE	DSH05IC1	DSH05	5 1/8"	2 1/2"	4 1/2"	3-3 1/2"	2 lbs
	DSH07IC1	DSH07	6 1/8"	4 1/2"	6"	5-5 1/2"	4 lbs
	DSH14IC1	DSH14	13 1/8"	4 1/2"	6"	5-5 1/2"	6 lbs
<b>CORNERS</b> OUTSIDE	DSH05OC1	DSH05	5 1/8"	2 1/2"	1"	0-1/2"	1 lbs
	DSH07OC1	DSH07	6 1/8"	4 1/2"			2 lbs
	DSH14OC1	DSH14	13 1/8"	4 1/2"			4 lbs
<b>CONDUIT</b>	SHCC05	DSH05	-	2 3/8"	2 1/2"	-	4 lbs
	SHCC07	DSH07	-	-	-	-	5 lbs
	SHCC14	DSH14	-	3 3/8"	3"	-	5 lbs
<b>STAND-OFF BRACKETS</b>	SO1	DSH05A	4 3/4"	3/4"	3"	-	1 lbs
	SO2	DSH07A	6 3/4"	3/4"	3"	-	1 lbs

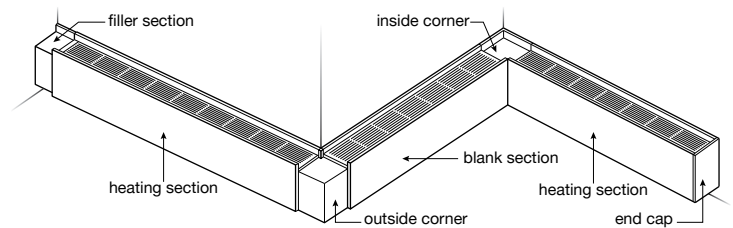
All steel convectors come standard with end caps. All pedestal style steel convectors come standard with pedestals. Outlet Mesh: Price per foot. 14-Gauge Front Cover: add 10% to heater price. Standard color included in base price. Other colors available. See paint policy page for information on custom paint colors. Maximum of 250 watts per ft. on front outlet models. When ordering, specify heater catalog number, voltage, phase, suffix catalog number for built-in controls, color, and options. 2. If color is not specified, front covers will be Beige. Front outlet models available only in 14 in. height and 125, 188 and 250 Wt./Ft. configuration. Outlet mesh is not available on front outlet models.

\* Additional length the accessory adds to the total installation length. \*\* Built-in duplex receptacle available. Add model numbers suffix "-1" for bottom inlet - top outlet; add suffix "-3" for bottom inlet - front outlet.

**Knockouts and Mounting Holes:**



**Typical Installation**



Approvals: \_\_\_\_\_

# DSH SERIES

## How to Order

Example:

**DPH07 06 250 20 1 B T L 0 0000 - A 6 M 3 C**

Model: DSH05, DSH07	Nominal Heater Length: <b>02</b> = 2.3' (28"), <b>03</b> = 3' (36"), <b>04</b> = 4' (48"), <b>05</b> = 5' (60"), <b>06</b> = 6' (72"), <b>08</b> = 8' (96"), <b>10</b> = 10' (120")	Watts/ft: <b>125, 188, 250, 375, 500, 564, 625, 750</b>	Voltage*: <b>12</b> = 120V, <b>20</b> = 208V, <b>24</b> = 240V, <b>27</b> = 277V, <b>34</b> = 347V, <b>60</b> = 600V	Phase: <b>1</b> = 1P, <b>3</b> = 3P	Air Inlet: <b>B</b> = Bottom Inlet (standard), <b>F</b> = Front Inlet/Dual Inlet	Air Discharge: <b>T</b> = Top (standard), <b>F</b> = Front	Incoming Power Hand: <b>R</b> = Right hand, <b>L</b> = Left hand	Product Generation: <b>C</b>	Accessory Options: <b>1</b> = Pedestals Only, <b>2</b> = End Caps Only, <b>3</b> = No End Caps or Pedestals	Outlet Mesh: <b>0</b> = None, <b>M</b> = Mesh	Front Cover Material: <b>6</b> = 16 GA Front Cover (standard), <b>4</b> = 14 GA Front Cover	Finishes & Color: <b>A</b> = Aluminum, <b>B</b> = Black, <b>G</b> = Charcoal Grey, <b>N</b> = Beige, <b>S</b> = Bronze, <b>U</b> = Custom; <b>W</b> = White	Control Packages**: Standard: <b>00000</b> = None, <b>000X0</b> = TR, <b>00P00</b> = 1PR, <b>0D000</b> = DS, <b>0D0X0</b> = DS-TR, <b>P0000</b> = 2T, <b>PD000</b> = 2T-DS, <b>T0000</b> = T, <b>TD000</b> = T-DS Custom Charge: <b>00R00</b> = 2PR, <b>0C000</b> = 2DS, <b>PC000</b> = 2T-2DS, <b>S0000</b> = 2ST, <b>TOP00</b> = T-1PR	Control Voltage**: <b>0</b> = N/A, <b>L</b> = Line, <b>2</b> = 24VAC
------------------------	---	---	--	-------------------------------------	--	--	--	------------------------------	--	--	---	---	--	--

\*Standard voltage and phase combinations include 121, 201, 203, 241, 271. Other options available under extended offering. Please contact Marley Technical Service for more details.  
 \*\*Other options available under extended offering. Please contact Marley Technical Service for more details.  
 \*\*\*Custom finishes will require an actual paint/finish sample and finish confirmation prior to order acceptance. Contact Marley Sales Representative for additional configuration details

No matter the industry or application, Marley Engineered Products has a robust portfolio of innovative, reliable, high-performance comfort heating and ventilation solutions for all your heating needs.  
 For more information or assistance on your next project, contact Technical Services at 800-642-4328



Approvals: \_\_\_\_\_