

# QFF SERIES

## Ceiling-Mounted Fan-Forced Heater

# CEILING HEATERS



### **Technical Specifications:**

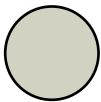
**Temp Range:** 40°-90°F

**CFM:** 150

**Grille Gauge:** 14

### **Ideal Spaces:**

Hallways  
Lobbies  
Entryways  
Restrooms  
Detention Environments



Beige

Choose these fan-forced ceiling heaters anywhere it makes sense to keep your heating solution out of the way and out of reach. A comfort solution for lobbies, restrooms and educational environments.

- › Multiple mounting options: Recessed, Surface or T-Bar
- › Accommodates pneumatic/electric or low voltage controls commonly used with BMS Systems
- › Built in power on/off switch for safe, simple installation and maintenance
- › When using wall thermostat, separate thermostat wiring is required
- › Automatic fan delay eliminates cold drafts on start-up and discharges residual heat from the heater body during shut down
- › Heavy duty 14-gauge louvered front cover grille with tamper-resistant screws provide added security and durability



# QFF SERIES

## Ceiling-Mounted Fan-Forced Heater

Scan the QR code  
to access additional  
specs and features



### Models & Specifications:

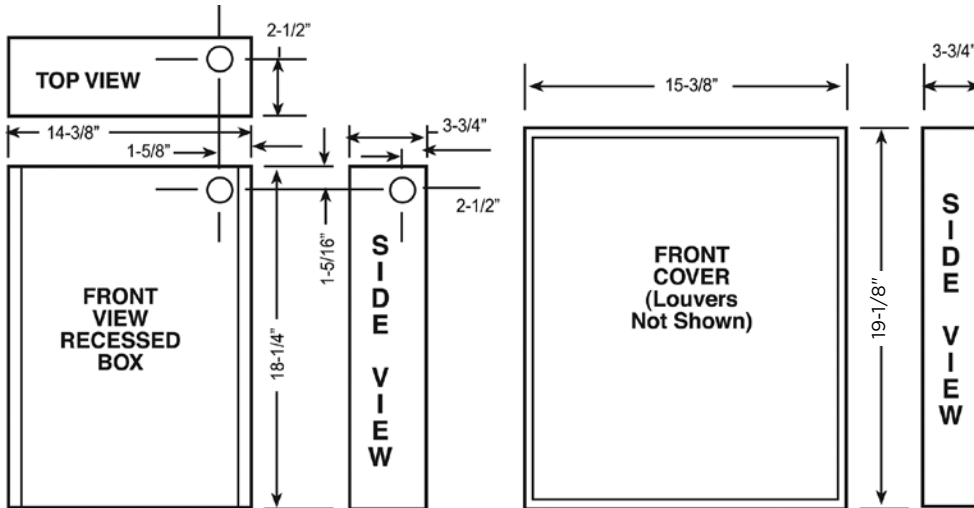
ITEM INFORMATION			ELECTRICAL DATA					SHIP WT.
CATALOG NO.	UPC	VOLTS	PHASE	WATTS	AMPS	BTU/HR.		
◆ QFF1500	685360148106	120	1	1500	12.5	5120	23 lbs	
◆ QFF3007	685360059075	277	1	3000/1500	10.8/5.4	10239/5120	23 lbs	
◆ QFF4008	685360059136	208	1	4000/2000	19.2/9.8	13652/6826	23 lbs	
◆ QFF4004	685360059099	240	1	4000/2000	16.7/14.4	13652/10239	23 lbs	
		208	1	3000/1500		10239/5120		
◆ QFF4007	685360059129	277	1	4000/2000	14.4/12.5	13652/10239	23 lbs	
		240	1	3000/1500		10239/5120		
◆ QFF4804	685360059167	240/208	1	4800/3600	20.0/17.3	16382/12287	23 lbs	
◆ QFF4807	685360059198	277/240	1	4800/3600	17.3/15.0	16382/12287	23 lbs	
● QFF48483	685360155845	480	3	4800	5.8	16382	23 lbs	
● QFF48483LV	685360155869	480	3	4800	5.8	16382	23 lbs	

SKU Legend: ◆ = Popular Products; ● = Extended Offering (Contact your local Marley Sales Representative for typically associated lead times)  
NOTE: Factory-wired for highest wattage, field-convertible to lower wattages. Orders above 7500' sea level require special order

### Optional Accessories:

CATALOG NO.	UPC	DESCRIPTION	COLOR	SHIP WT.
QFFSM	685360058955	Surface Mounting Sleeve	Beige	6 lbs
QFFR2 (24V)	685360058948	Time delay relay, 45-60 seconds to close when energized; Uses remote 24V or 120V power source	-	1 lbs
QFFR12 (120V)	685360058931			
QFFTBF	685360058962	T-Bar Frame Kit	-	4.5 lbs
QFFT1	685360058993	Single Pole T-Stat. (Field Installed)	-	1 lbs
QFFTR4	685360058979	208/240V Primary Transformer 24V Relay	-	1 lbs
QFFTR7	685360058986	277V Primary 24V Sec. Transformer Relay	-	1 lbs

### Dimensions and Clearances:



### Suggested Controls



MS26 or M601W