

IUH SERIES

Industrial Unit Heater

UNIT HEATERS



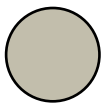
Technical Specifications:

Temp Range: 45°-90°F

CFM: 270-1800

Ideal Spaces:

Factories
Garages
Stockrooms
Stores
Maintenance Rooms
Warehouses
Service Stations
Workshops
Stairwells



Beige

- › All motors and contactor coils are 240V and operate on the secondary of a factory-installed step-down power transformer on 480V and 600V heaters so a separate fan and motor control power source is not needed
- › Automatic fan delay eliminates cold drafts on start-up and discharges residual heat from the heater body during shut down
- › Steel fins are copper-brazed to low-watt density, steel-sheathed tubular heating elements
- › 5 and 7.5 kW models also come equipped with ceiling mounting bracket for horizontal or vertical flow mounting or any position in between
- › Uniform discharge of all heated air lowers internal operating temperatures and prolongs element life
- › Cabinet is finished with a polyester powder coating for excellent corrosion resistance
- › Element finished with aluminized paint for corrosion resistance
- › Fins and elements are arranged in a uniform grid pattern and fit closely into air discharge area to assure that all incoming air passes through heating element
- › High-limit cut-off automatically shuts off current in the event of overheating and reactivates unit when temperature returns to normal
- › Adjustable louvers provide directional heating to heat desired areas



IUH SERIES

Industrial Unit Heater

Scan the QR code
to access additional
specs and features



Models & Specifications:

ITEM INFORMATION			ELECTRICAL DATA						
CATALOG NO.	UPC	KW	BTU/HR.	VOLTAGE	PHASE	MAX AMPERAGE 3 PHASE	CFM	WEIGHT	
◆ IUH520	685360041964	5**	17	208	1-3	12.5	270	26 lbs	
◆ IUH548	685360042022	5**	17	480	1-3	6	270	31 lbs	
◆ IUH724	685360042091	7.5**	25.6	240	1-3	18.1	270	27 lbs	
◆ IUH748	685360042121	7.5**	25.6	480	1-3	9	270	31 lbs	
◆ IUH1020	685360041759	10	34.1	208	1-3	27.8	500	72 lbs	
◆ IUH1024	685360041766	10	34.1	240	1-3	25.7	500	62 lbs	
◆ IUH1048	685360041803	10	34.1	480	1-3	12.8	500	72 lbs	
◆ IUH1520	685360041834	15	51.2	208	1-3	42	750	78 lbs	
◆ IUH1524	685360041841	15	51.2	240	1-3	37.7	750	68 lbs	
◆ IUH1548	685360041872	15	51.2	480	1-3	18.8	750	78 lbs	
◆ IUH2048	685360041902	20	68.2	480	1-3	24.8	1000	78 lbs	
◆ IUH3048	685360041940	30	102.2	480	3	36.9	1800	142 lbs	
● IUH524	685360041971	5**	17	240	1-3	13.8	270	26 lbs	
● IUH2548	685360041926	25	85.2	480	3	31.1	1300	136 lbs	
● IUH560	685360042046	5**	17	600	3	4.8	270	31 lbs	
● IUH760	685360042145	7.5**	25.6	600	3	7.2	270	31 lbs	
● IUH1060	685360041827	10	34.1	600	3	9.6	500	72 lbs	
● IUH1560	685360041889	15	51.2	600	3	14.5	750	80 lbs	
● IUH2060	685360041919	20	68.2	600	3	19.3	1000	80 lbs	
● IUH2560	685360041933	25	85.2	600	3	24	1300	142 lbs	
● IUH3060	685360041957	30	102.2	600	3	28.9	1800	142 lbs	

SKU Legend: ◆ = Popular Products; ● = Extended Offering (Contact your local Marley Sales Representative for typically associated lead times)

**5 kW and 7.5 kW can be used in horizontal or vertical position. Heaters come equipped with ceiling mounting bracket for horizontal or vertical flow mounting or any position between.

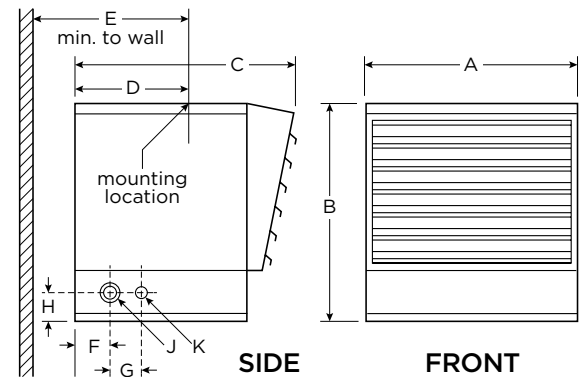
Optional Accessories:

CATALOG NO.	UPC	DESCRIPTION	SHIP WT.
CWB1A	685360018201	Combination wall/ceiling bracket for 5KW thru 15KW units	4 lbs
CWB2A	685360152400	Same as above but for 20KW thru 50KW units	14 lbs
UHTA1	685360152431	Single-Pole Thermostat kit 60-120°F temp. range for field installation in all units	1 lbs
IUHDS30*	685360019956	3-pole power disconnect switch kit for field installation on all horizontal unit heaters rated 24 amps or less.	1 lbs
IUHDS63*	685360019963	3-pole power disconnect switch kit for field installation on all horizontal unit heaters 10KW and above rated 24 to 50 amps.	1 lbs
IUHSW	685360036724	Summer-Winter Fan Switch Kit. Field installed. Provides summer fan operation.	1 lbs

Dimensions and Clearances:

KW Size	A	B	C	D	E	F	G	H	I	J
5-7.5	14"	12 1/2"	12 3/8"	5 1/2"	13"	1 3/4"	1 3/8"	1 1/2"	(2) 1/2", 3/4"	1/2"
10-20	18"	18"	17 1/2"	9 15/32"	*	2"	2 1/2"	2 1/4"	(2) 3/4", 1"	(3) 1", 1 1/4", 1 1/2"
25-30	26"	24"	23 1/8"	9 15/32"	20"	2"	2 3/4"	2 1/4"	(2) 1", 1 1/2"	(3) 1", 1 1/2", 2"

*13 in. for 10-15 kW units; 16 in. for 20 kW unit. 5 kW and 7.5 kW can be used in horizontal or vertical position. Heaters come equipped with ceiling mounting bracket for horizontal or vertical flow mounting or any position between.



Limited space? We've got your customized comfort covered.

Choose the IUH Series Horizontal/Downflow Unit Heater for basic heating or the **MWUH Bundle** with an included mounting bracket and built-in thermostat for one-stop-shopping. Both have adjustable louvers and flexible mounting options that enable you to take aim at the cold. Best of all, both heaters will keep your coldest spots warm and comfortable for years to come.