

EFF SERIES

Ceiling-Mounted Fan-Forced Heater

CEILING HEATERS



Technical Specifications:

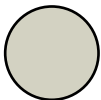
Temp Range: 40°-90°F

CFM: 150

Grille Gauge: 14

Ideal Spaces:

Hallways
Lobbies
Entryways
Restrooms
Detention Environments



Beige

Choose these fan-forced ceiling heaters anywhere it makes sense to keep your heating solution out of the way and out of reach. A comfort solution for lobbies, restrooms and educational environments.

- › Multiple mounting options: Recessed, Surface or T-Bar
- › Accommodates pneumatic/electric or low voltage controls commonly used with BMS Systems
- › Built in power on/off switch for safe, simple installation and maintenance
- › When using wall thermostat, separate thermostat wiring is required
- › Automatic fan delay eliminates cold drafts on start-up and discharges residual heat from the heater body during shut down
- › Heavy duty 14-gauge louvered front cover grille with tamper-resistant screws provide added security and durability



EFF SERIES

Ceiling-Mounted Fan-Forced Heater

Scan the QR code
to access additional
specs and features



Models & Specifications:

ITEM INFORMATION			ELECTRICAL DATA					SHIP WT.
CATALOG NO.	UPC	VOLTS	PHASE	WATTS	AMPS	BTU/HR.		
◆ EFF1500	685360148106	120	1	1500	12.5	5120	23 lbs	
◆ EFF3007	68536059075	277	1	3000/1500	10.8/5.4	10239/5120	23 lbs	
◆ EFF4008	68536059136	208	1	4000/2000	19.2/9.8	13652/6826	23 lbs	
◆ EFF4004	68536059099	240	1	4000/2000	16.7/14.4	13652/10239	23 lbs	
		208	1	3000/1500		10239/5120		
◆ EFF4007	68536059129	277	1	4000/2000	14.4/12.5	13652/10239	23 lbs	
		240	1	3000/1500		10239/5120		
◆ EFF4804	68536059167	240/208	1	4800/3600	20.0/17.3	16382/12287	23 lbs	
◆ EFF4807	68536059198	277/240	1	4800/3600	17.3/15.0	16382/12287	23 lbs	
● EFF48483	685360155845	480	3	4800	5.8	16382	23 lbs	
● EFF48483LV	685360155869	480	3	4800	5.8	16382	23 lbs	
● EFF3003	68536021089	347	1	3000	8.6	10239	23 lbs	
● EFF3006	68536021096	600	1	3000	5	10239	23 lbs	
● EFF4003	68536021119	347	1	4000	11.5	13652	23 lbs	
● EFF4006	68536021140	600	1	4000	6.7	13652	23 lbs	
● EFF4803	68536021188	347	1	4800	13.8	16382	23 lbs	
● EFF4806	68536021218	600	1	4800	8	16382	23 lbs	

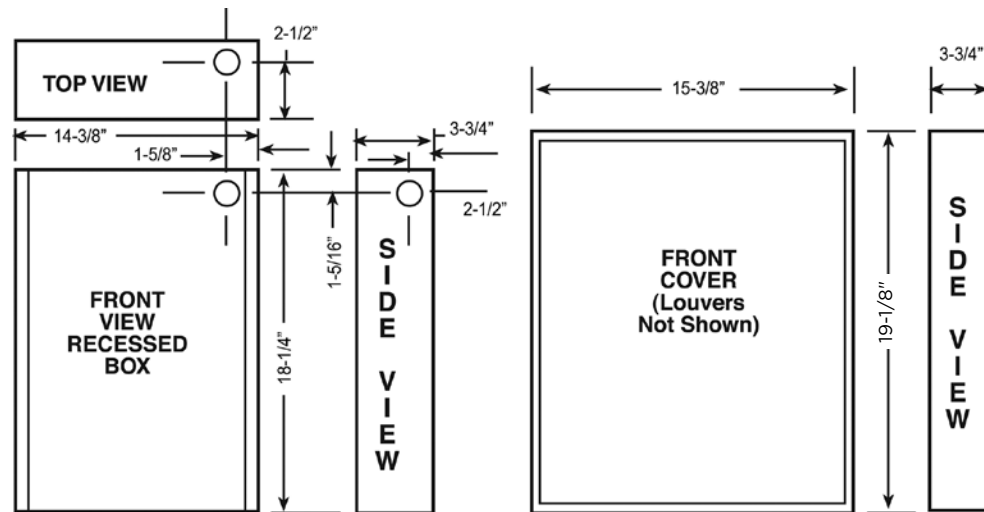
SKU Legend: ◆ = Popular Products; ● = Extended Offering (Contact your local Marley Sales Representative for typically associated lead times)

NOTE: Factory-wired for highest wattage, field-convertible to lower wattages. Orders above 7500' sea level require special order

Optional Accessories:

CATALOG NO.	UPC	DESCRIPTION	COLOR	SHIP WT.
EFFSM	685360020983	Surface Mounting Sleeve	Beige	6 lbs
EFFR2 (24V)	685360020976	Time delay relay, 45-60 seconds to close when energized; Uses remote 24V or 120V power source	-	1 lbs
EFFR12 (120V)	685360020969			
EFFTBF	685360020990	T-Bar Frame Kit	-	4.5 lbs
EFFT1	685360021027	Single Pole T-Stat. (Field Installed)	-	1 lbs
EFFTR4	685360021003	208/240V Primary Transformer 24V Relay	-	1 lbs
EFFTR7	685360021010	277V Primary 24V Sec. Transformer Relay	-	1 lbs

Dimensions and Clearances:



Suggested Controls



MS26 or M601W