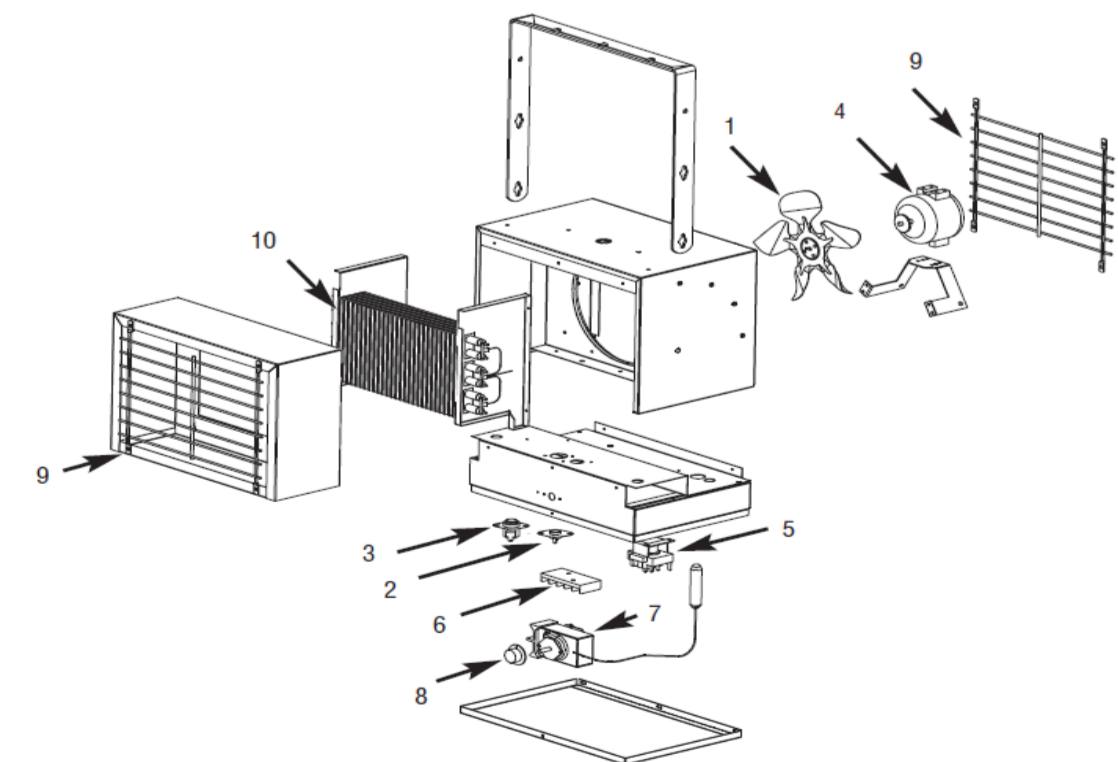


A MARLEY ENGINEERED PRODUCTS BRAND

THIS CATALOG CONTAINS PART NUMBERS FOR THE MOST COMMON REPLACEMENT PARTS FOR FAHRENHEAT HEATERS SHOWN IN THE TABLE OF CONTENTS. ADDITIONAL PARTS FOR THESE HEATERS MAY BE AVAILABLE - CONSULT FACTORY FOR AVAILABILITY. PARTS FOR FAHRENHEAT HEATERS NOT LISTED IN THE TABLE OF CONTENTS MAY BE AVAILABLE - CONSULT FACTORY FOR AVAILABILITY.

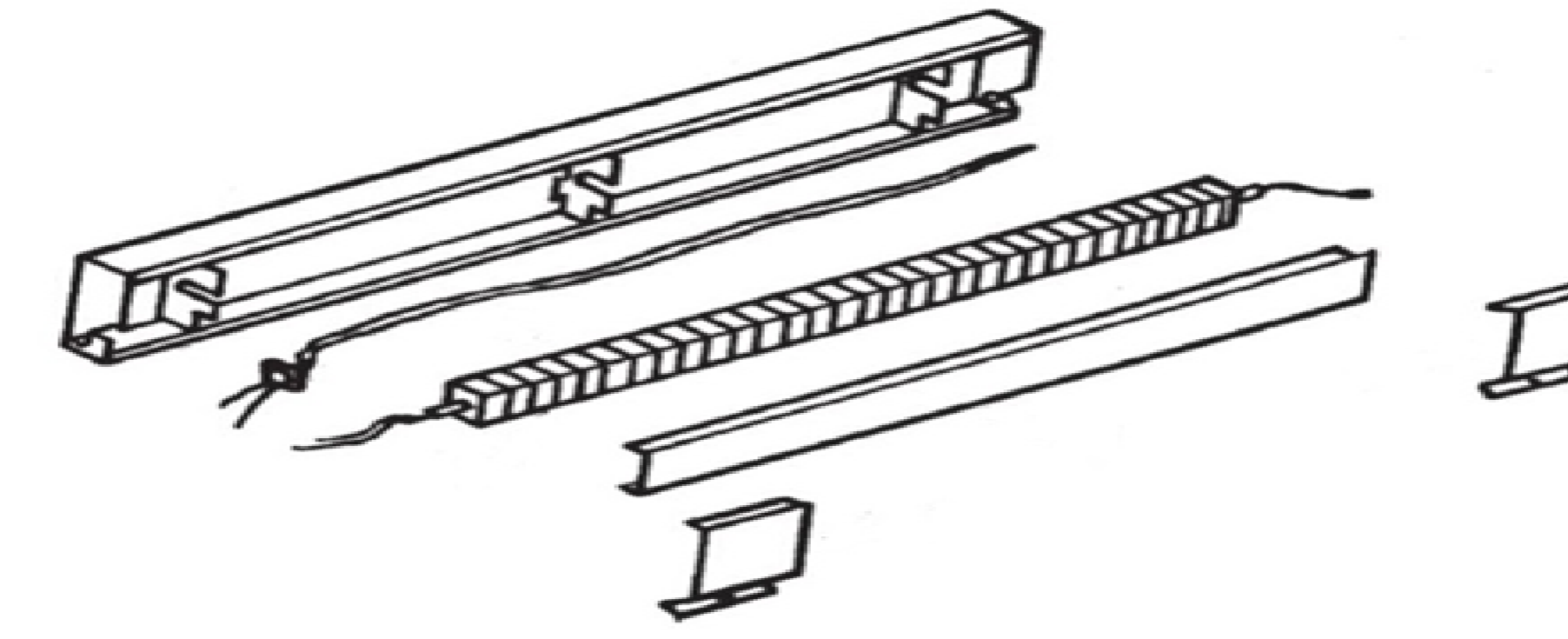
### TABLE OF CONTENTS

<b>BASEBOARD</b>	
F2500 & PLF.....	2
<b>WALL HEATERS</b>	
FSSHO & FSSWH .....	3
FZL .....	4
FFR .....	4
FFC .....	4
<b>SPECIALITY HEATERS</b>	
QTS .....	5
<b>UNIT HEATERS</b>	
FUH .....	5
<b>PORTABLE</b>	
NPH4A .....	5
FBE .....	6

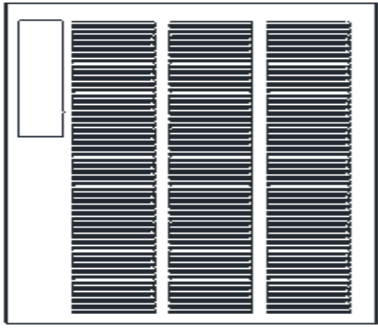

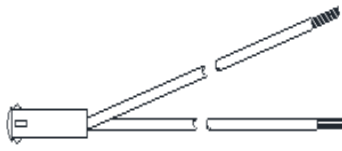
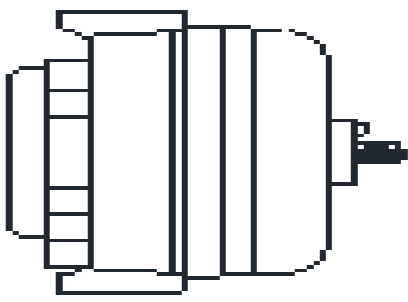
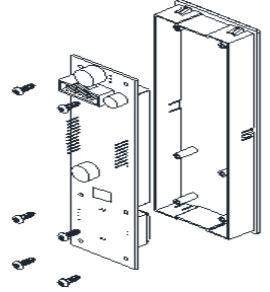
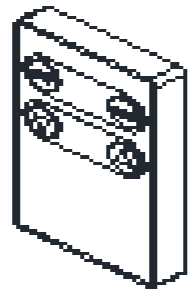
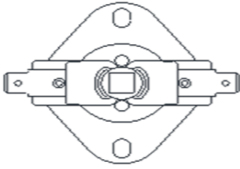
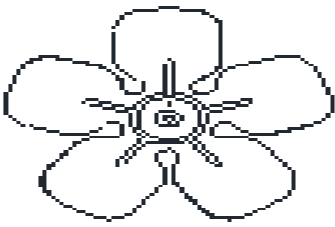
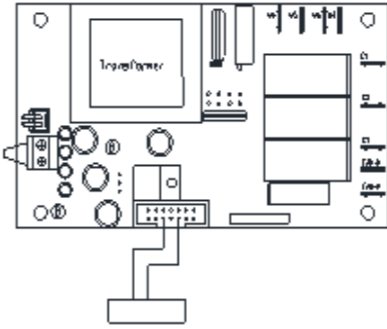
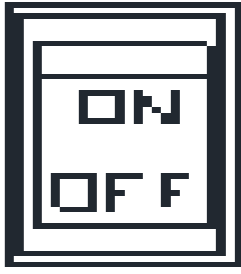

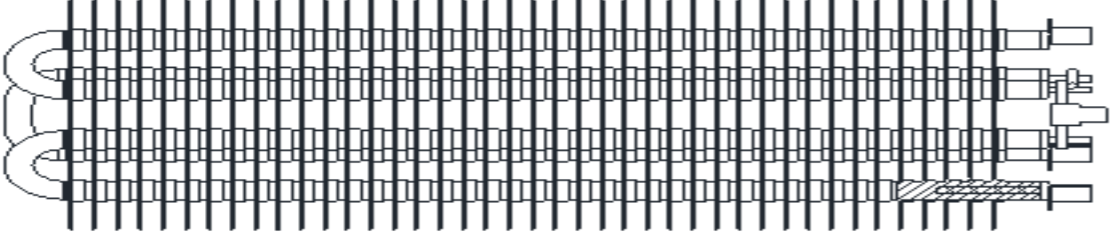


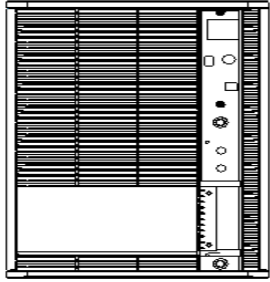
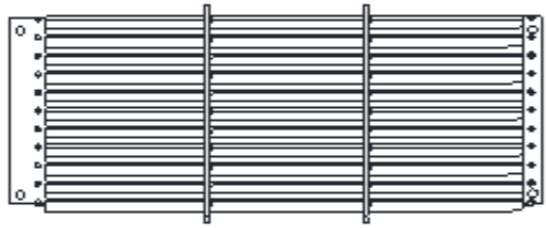
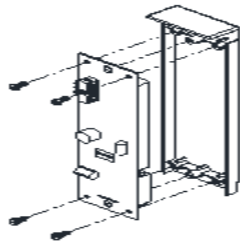
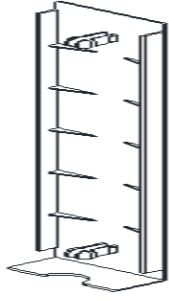

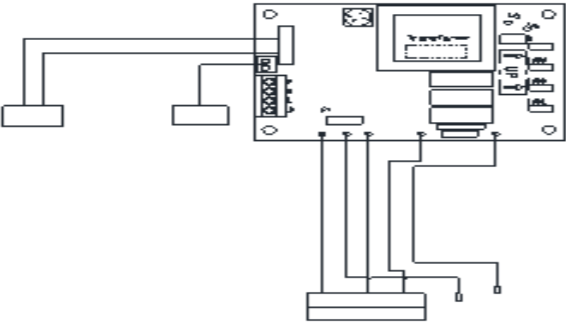

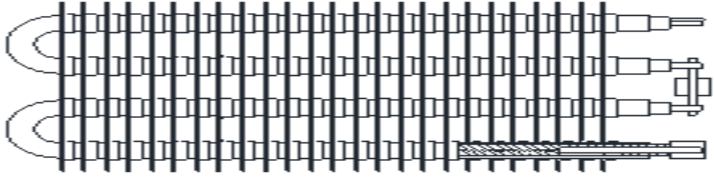
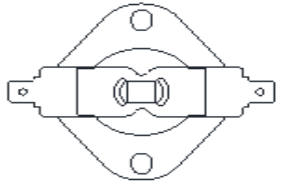

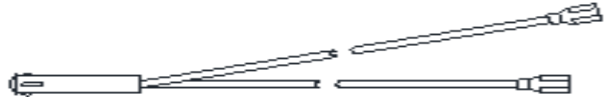
FOR SERVICE PARTS CONTACT CARROLL PARTS 800-654-3545


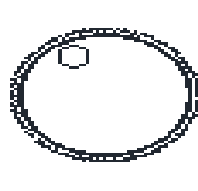
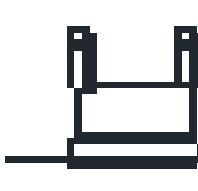
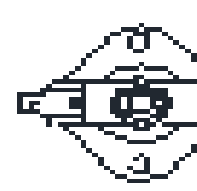
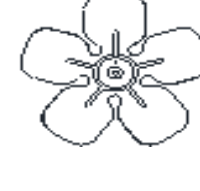

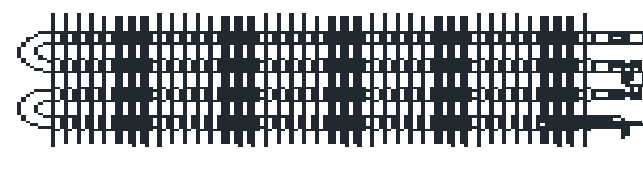

F2500 SERIES ELEMENTS										
1802-11021-003	1802-11021-007	1802-11021-011	1802-2044-017	1802-2044-023	1802-2094-015					
F2512NWCA	F25126NWCA	F2513NWCA	F2514NWCA	F2515NWCA	F2516NWCA					
1802-11021-001	1802-11021-005	1802-11021-009	1802-2044-015	1802-2044-021	1802-2094-017					
F2542NWCA	F25426NWCA	F2543NWCA	F2544NWCA	F2545NWCA	F2546NWCA					
1802-2094-001	1802-2094-004	CONTROL BOX COVER		MODEL						
F2548NWCA	F25408NWCA									
FACE PLATE					KNOBS	THERMOSTATS				
		COLOR	GA.	PART NUMBER	TA1ANWCA	42521-032-11	5813-2009-000			
		NORTHERN WHITE	24	1402-2261-600	TA2ANWCA	42521-032-09	5813-2010-000			
COLOR	FEET	GA.	PART NUMBER	THERMAL CUTOUT						
NORTHERN WHITE	2	22	1402-2122-623							
NORTHERN WHITE	2.5	22	1402-2122-616							
NORTHERN WHITE	3	22	1402-2122-617							
NORTHERN WHITE	4	22	1402-2122-618							
NORTHERN WHITE	5	22	1402-2122-619							
NORTHERN WHITE	6	22	1402-2122-620							
NORTHERN WHITE	8	22	1402-2122-621							
				4520-2018-000	4520-2018-001	4520-2018-002	4520-2018-003	4520-2018-004	4520-2018-005	4520-2018-006
				F2512NWCA	F25126NWCA	F2513NWCA	F2514NWCA	F2515NWCA	F2516NWCA	F2548NWCA
				F2542NWCA	F25426NWCA	F2543NWCA	F2544NWCA	F2545NWCA	F2546NWCA	F25408NWCA



PLF SERIES BASEBOARD									
ELEMENT			LIMIT						
<b>SUGGEST REPLACING THE HEATER IF THE ELEMENT HAS FAILED</b>			410122002	410122003	410122004	410122005	410122006	410122008	
			PLF500 PLF504	PLF750 PLF754	PLF1000 PLF1004	PLF1250 PLF1254	PLF1500 PLF1504	PLF2004	
FRONT COVER			GRILLE						
1402-2066-600 PLF500 PLF504	1402-2066-601 PLF750 PLF754	1402-2066-602 PLF1000 PLF1004	1402-2066-603 PLF1250 PLF1254	1402-2066-604 PLF1500 PLF1504	1402-2066-605 PLF2004				
			JUNCTION BOX COVER ALL MODELS 1800-2022-000			THERMOSTAT PT2DS			
			MODEL PT2DS			KNOBS 3301-2011-000			THERMOSTATS 5813-2015-000

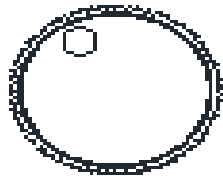



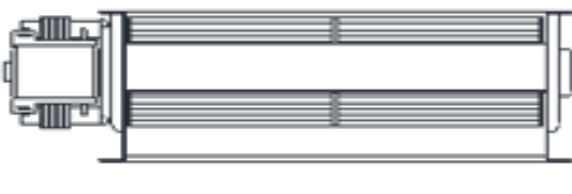
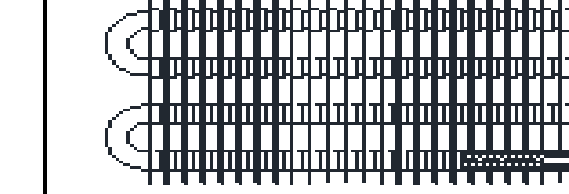


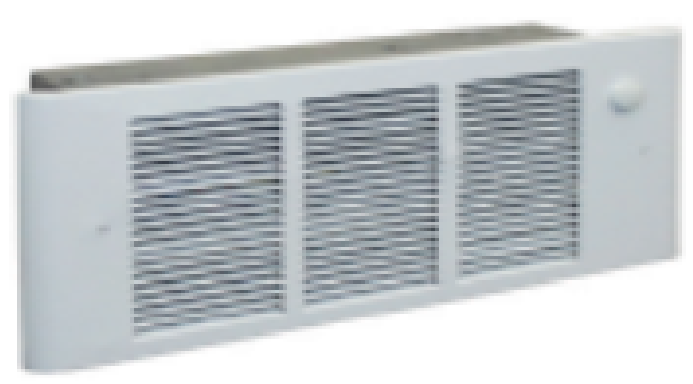
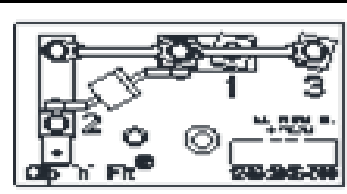
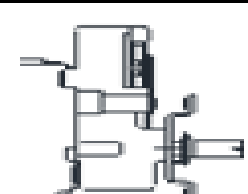
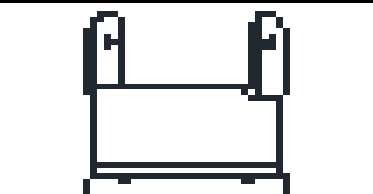

FSSHO SERIES					
GRILLE		GRILLE TABS (2 REQ)		LIGHT	MOTOR
					
2501-11022-000 FSSHO4004		1402-2120-002 FSSHO4004		3510-2017-005 FSSHO4004	3900-2002-522 FSSHO4004
DISPLAY ASSM.	REMOTE	MANUAL LIMIT	FAN BLADE	CTRL PWR BOARD	DISCONNECT SWITCH
					
1016-11199-000 FSSHO4004	1414-11037-001 FSSHO4004	4520-2027-000 FSSHO4004	490030103 FSSHO4004	1414-11043-000 FSSHO4004	410170001 FSSHO4004
ELEMENT					
					
1802-11005-001 FSSHO4004					

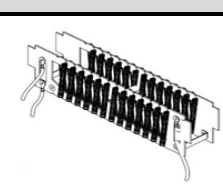
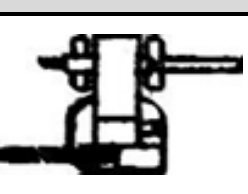
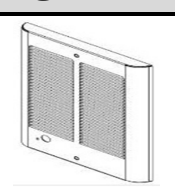

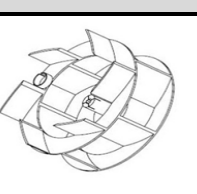
FSSWH SMART SERIES						
GRILLE PANEL		GRILLE ASSY INSERT		DISPLAY BEZEL	BOTTOM BEZEL	REMOTE
						
2501-11003-003 FSSWH1502 FSSWH2024		1016-11063-000 FSSWH1502 FSSWH2024		1016-11035-003 ALL MODELS	1219-11004-000 ALL MODELS	1414-11017-001 ALL MODELS
CNTRL PWR BOARD		BLOWER MOTOR		ELEMENT		MANUAL LIMIT
						
1414-11007-002 FSSWH1502	1414-11007-003 FSSWH2024	1225-11001-000 FSSWH1502	1225-11001-001 FSSWH2024	302023802 FSSWH1502	302023805 FSSWH2024	4520-11005-000 ALL MODELS
LIGHT						
						
3510-2010-000 FSSWH1502	3510-2010-001 FSSWH2024					

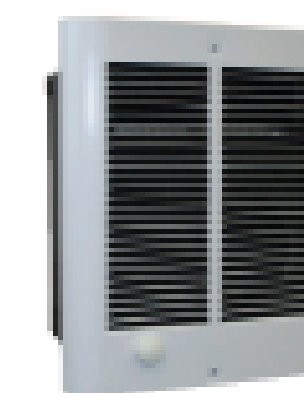
FZL-SERIES								
GRILLE	KNOB	FAN DELAY	MANUAL LIMIT	FAN BLADE	MOTOR	ELEMENTS		THERMOSTAT
								
2501-11028-000 FZL3004F FZL4004F	3301-11014-001 FZL3004F FZL4004F	410074000 FZL3004F FZL4004F	4520-2027-000 FZL3004F FZL4004F	490030103 FZL3004F FZL4004F	3900-2010-000 FZL3004F FZL4004F	302012809 FZL3004F	302012808 FZL4004F	5813-2027-000 FZL3004F FZL4004F

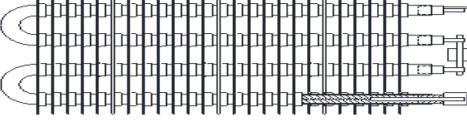

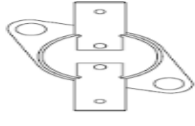


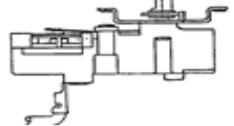
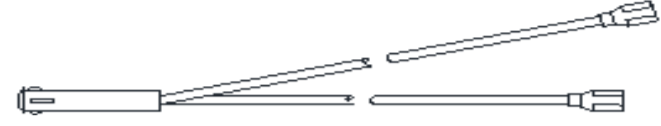


FZL-F






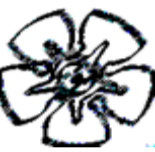


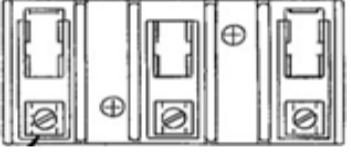
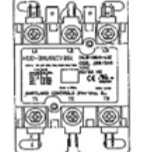

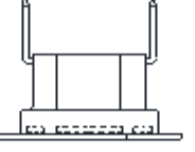
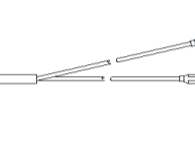



FFR SERIES							
KNOB	GRILLE	LIGHT		BLOWER ASM.		ELEMENT	
							
3301-11015-002 FFR1500T2 FRR2004T2	2501-11031-000 FFR1500T2 FRR2004T2	3510-2010-000 FFR1500T2	3510-2010-001 FRR2004T2	1225-2002-000 FFR1500T2	1225-2002-001 FRR2004T2	302023802 R1500	302023805 R2004
CLIP N FIT BOARD	THERMOSTAT	TEMPERATURE REGULATOR		HI-LIMIT			
							
1249-2005-000 FFR1500T2 FRR2004T2	410130001 FFR1500T2 FRR2004T2	410143000 FFR1500T2 FRR2004T2	4520-11010-001 FFR1500T2 FRR2004T2				


FFC WALL HEATER							
ENT (INCLUDES LIMIT & ONE SHOT)	MOTOR		GRILLE	THERMOSTAT	FAN IMPELLER	PARTS KIT	
					PICTURE NOT AVAILABLE		
1802-11014-011 FFC1012	1802-11014-010 FFC1512	3900-11032-000 FFC1012	3900-11032-001 FFC1048	2501-11024-000 ALL MODELS	5813-2090-000 ALL MODELS	2002-11004-000 ALL MODELS	1205-11028-500 ALL MODELS
1802-11014-014 FFC1048	1802-11014-013 FFC1548	FFC1512	FFC1548				
	1802-11014-012 FFC2048		FFC2048				

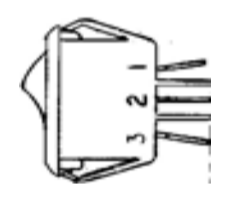


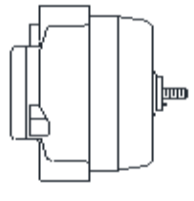
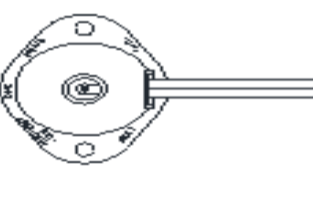
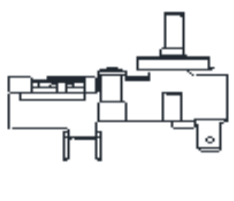

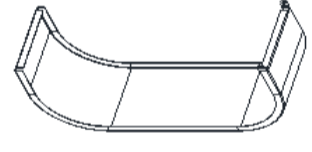
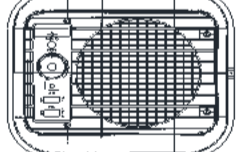
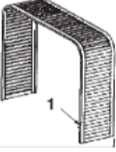
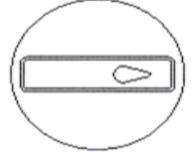

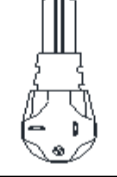



FTS SERIES							
ELEMENTS		MOTOR ASSEMBLY		SELF HOLD LIMIT	FAN DELAY	KNOB	THERMOSTAT
							
302023811 FTS1100 302023802 FTS1500T	302023803 FTS1104 302023806 FTS1504T	1225-2002-000 FTS1100 FTS1500T	1225-2002-001 FTS1104 FTS1504T	4520-11011-000 FTS1100 FTS1500T 4520-11011-001 FTS1104 FTS1504T	410074000 FTS1100 FTS1500T FTS1104 FTS1504T	3301-2020-006 FTS1500T FTS1504T	410129001 FTS1500T FTS1504T
PILOT LIGHT		GRILLE		THERMAL CUTOFF			
							
3510-2010-000 FTS1100 FTS1500T	3510-2010-001 FTS1104 FTS1504T	2501-2039-000 FTS1100 FTS1500T		4520-2030-000 FTS1100 FTS1500T FTS1104 FTS1504T			




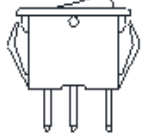
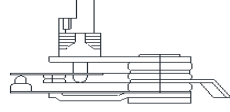
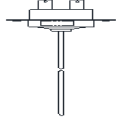
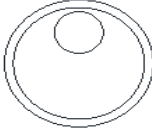
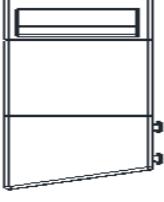
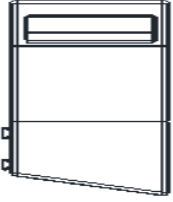

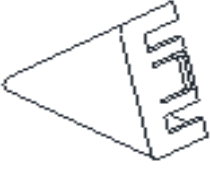




FUH SERIES					
ELEMENT		MOTOR	FAN BLADE	KNOB	THERMOSTAT
					
302006807 FUH54C	302006810 FUH724A	3900-2008-000 FUH54C FUH724A	1210-2017-000 FUH54C FUH724A	3301-2014-006 FUH54C FUH724A	5813-2050-000 FUH54C FUH724A
POWER BLOCK		RELAY	HI LIMIT	FAN DELAY	LIGHT
					
5823-0004-005 FUH54C	5823-0004-000 FUH724A UH724STA	5018-11006-000 FUH724A UH724STA	410027000 FUH54C FUH724A	410148000 FUH54C FUH724A	3510-2017-003 FUH54C FUH724A
LOUVERS		LOUVER SPRING	MT. BRACKET		
					
3503-2004-109 FUH54C FUH724A		5208-7005-001 FUH54C FUH724A	310876001 FUH54C FUH724A		



NPH4A					
ROCKER SWITCH**	FAN BLADE	ELEMENT***	MOTOR	MANUAL RESET	THERMOSTAT
					
599814893A000 NPH4A	1210-2000-001 NPH4A	1802-0087-038 NPH4A	3900-2002-506 NPH4A	4520-11004-000 NPH4A	5813-2018-000 NPH4A
STAND	CONTROL COVER	GRILLE	GUARD	T*STAT KNOB	STAND KNOB**
					
5210-2000-002 NPH4A	1402-0336-000 NPH4A	1402-2154-001 NPH4A	2504-0011-001 NPH4A	3301-2012-001 NPH4A	3301-2018-000 NPH4A
CORD					
					
1420-11012-000 NPH4A					



NOTE \* INDICATES QUANTITY

FBE SERIES				
ELEMENT	SWITCH	THERMOSTAT	LIMIT	KNOB
				
1802-2087-000 FBE15002CA	5216-11018-000 FBE15002CA	5813-2058-001 FBE15002CA	4520-2011-004 FBE15002CA	3301-2011-003 FBE15002CA
END CAP RIGHT	END CAP LEFT	LEG RIGHT	LEG LEFT	FACE PLATE
				
1800-2047-001 FBE15002CA	1800-2048-001 FBE15002CA	3507-2004-001 FBE15002CA	3507-2005-001 FBE15002CA	1402-2122-626 FBE15002CA
CORD	CONTROL COVER			
				
1420-11013-000 FBE15002CA	1402-2243-001 FBE15002CA			