

HBB SERIES

ELECTRIC HYDRONIC BASEBOARD HEATER



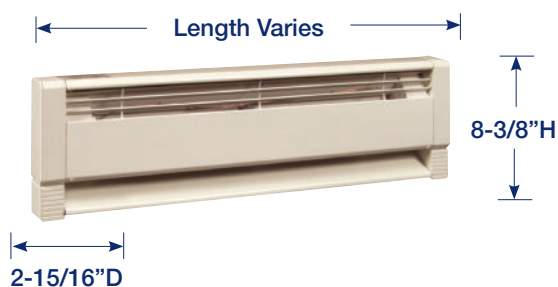
IDEAL SPACES

- Bedrooms
- Living/Family Rooms
- Kitchens
- Bathrooms
- Basements
- Offices
- Conference Rooms
- Hallways
- Lobbies
- Waiting Rooms
- Day Cares
- Geriatric Facilities

COLORS

- Navajo White

DIMENSIONS



- Ideal for superior, efficient and zoned Primary/Secondary comfort
- Low profile ideal for limited wall space
- Storage fluid maximizes convection, minimizing air flow, reducing flow of bacteria and dust
- Large element reservoir maximizes the volume of heat storage fluid for prolonged comfort
- Gentle heat continues to radiate even after the thermostat turns off due to the hydronic element retention qualities
- Hydronic element reduces on/off cycling of thermostat maintaining even room comfort and reducing energy costs
- Low surface temperatures safe for installations with pets, children and carpet
- Built-in wire way, lead wires, and knockouts allow quick field connection from either end
- UL-listed for installation flush to any wall and flat on any floor type; pre-notched marks for mounting guide
- High temperature safety limit
- Corrosion resistant aluminum fins are pressure-fitted to copper tubing to assure rapid heat transfer, air flow
- Air flow is directed away from walls and into the room to help prevent wall streaking & minimizes dry air



www.berkomep.com

For Technical Services, Call 800-642-4328

ITEM# BFLY_HBB_1217-1

HBB SERIES ELECTRIC HYDRONIC BASEBOARD HEATER

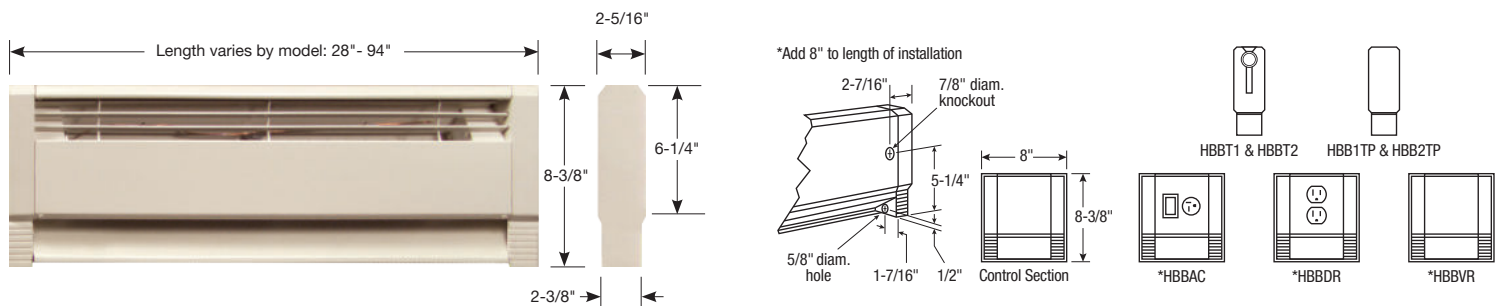
MODELS & SPECIFICATIONS

CATALOG NO.	UPC	VOLTS	WATTS	AMPS	LENGTH (IN)	SHIP WT. (LBS)
HBB500	6 85360 03577 2	120	500	4.2	28"	10
HBB508	6 85360 03580 2	208	500	2.4		
HBB504	6 85360 03578 9	240/208	500/375	2.1/1.8		
HBB750	6 85360 03581 9	120	750	6.3	34"	12
HBB758	6 85360 03584 0	208	750	3.6		
HBB754	6 85360 03582 6	240/208	750/563	3.1/2.7		
HBB1000	6 85360 03562 8	120	1000	8.3	46"	15
HBB1008	6 85360 03565 9	208	1000	4.8		
HBB1004	6 85360 03563 5	240/208	1000/750	4.2/3.6		
HBB1250	6 85360 03566 6	120	1250	10.4	58"	19
HBB1258	6 85360 03569 7	208	1250	6		
HBB1254	6 85360 03567 3	240/208	1250/938	5.2/4.5		
HBB1500	6 85360 03570 3	120	1500	12.5	70"	22
HBB1508	6 85360 03573 4	208	1500	7.2		
HBB1504	6 85360 03571 0	240/208	1500/1125	6.3/5.8		
HBB2008	6 85360 03576 5	208	2000	9.6	94"	30
HBB2004	6 85360 03574 1	240/208	2000/1500	8.3/7.2		

CONTROLS & ACCESSORIES

CATALOG NO.	UPC	DESCRIPTION	SHIP WT. (LBS)
HBBT1	6 85360 03557 4	25 amp @ 120-277 VAC; Single-Pole Thermostat Snap-Action Type; Field-Installed in Junction Box	1
HBBT2	6 85360 03559 8	25 amp @ 120-277 VAC; Double-Pole Thermostat Snap-Action Type; Field-Installed in Junction Box	1
HBBT1TP	6 85360 03558 1	Same as Model HBBT1 except Tamper-Resistant	1
HBBT2TP	6 85360 03560 4	Same as Model HBBT2 except Tamper-Resistant	1
HBBAC*	6 85360 03538 3	Air Conditioner Outlet Section, 20 amps @ 208/240 VAC	2
HBBDR	6 85360 03542 0	Duplex Receptacle Section, 15 amps @ 120 VAC	2
HBBDSDR120	6 85360 14797 0	Double-Pole Disconnect Switch /120V Receptacle	3
HBBWS	6 85360 03561 1	8 in. Blank Wiring Section	1
HBBLVR0*	6 85360 03547 5	Low Voltage Relay Control Section, 25 amps @ 120 VAC	3
HBBLVR8*	6 85360 03550 5	Low Voltage Relay Control Section, 25 amps @ 208 VAC	3
HBBLVR4*	6 85360 03548 2	Low Voltage Relay Control Section, 25 amps @ 240 VAC	3
HBBCDS2	6 85360 03539 0	Double-Pole Power On/Off Switch Section	2
OBDBS2*	6 85360 01453 1	2 ft. Blank Section	6
OBDBS3*	6 85360 01454 8	3 ft. Blank Section	8
OBDBS4*	6 85360 01455 5	4 ft. Blank Section	11
OBDBS5*	6 85360 01456 2	5 ft. Blank Section	14
OBDBS6*	6 85360 01457 9	6 ft. Blank Section	16
OBDBS8*	6 85360 01458 6	8 ft. Blank Section	22
OBDCIC*	6 85360 01460 9	Inside Corner	1
OBDCOC*	6 85360 01461 6	Outside Corner	1

NOTE: *HBBAC - HBBDR - HBBLVR - HBBWS accessories add 8 in. to baseboard length. 8 ft. length baseboards must be ordered in multiples of two pieces for shipment.



www.berkomep.com

For Technical Services, Call 800-642-4328

ITEM# BFLY_HBB_1217-1

BERKO[®]
A Marley Engineered Products Brand