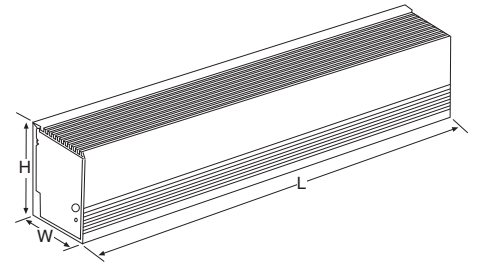




# DBA and SHA Architectural Sill-Height Convection Heaters



Dimensions

Type	Height	Width	Length
DBA	6" 152mm	3-5/8" 92mm	28" to 15' 711mm to 4572mm
SHA	7" 178mm	5-3/8" 136mm	28" to 12' 711mm to 3658mm



## Installation, Operation & Maintenance Instructions

### GENERAL

This heater is designed to provide years of efficient, trouble free operation as a primary or supplemental heat source for comfort heating in residential (Model DBA only at 250 watts per linear foot) and commercial applications. Installation or use of this product in any manner not described within this manual will void the warranty and could result in injury, damage to property, or permanent damage to heater.

## IMPORTANT INSTRUCTIONS

<span style="font-size: 1.2em; font-weight: bold; margin: 0 10px;">WARNING</span>	
<p><b>WHEN USING ELECTRICAL APPLIANCES, BASIC PRECAUTIONS SHOULD ALWAYS BE FOLLOWED TO REDUCE THE RISK OF FIRE, ELECTRIC SHOCK, AND INJURY TO PERSONS, INCLUDING THE FOLLOWING:</b></p> <ol style="list-style-type: none"> <li>1. Read all instructions before installing or using the heater.</li> <li>2. A heater has hot and arcing or sparking parts inside. Do not use in areas where gasoline or flammable liquids are used or stored.</li> <li>3. This heater is hot when in use. To avoid burns, do not let bare skin touch hot surfaces. Keep combustible materials, such as furniture, pillows, bedding, papers, clothes, and curtains away from heater.</li> </ol>	<ol style="list-style-type: none"> <li>4. To prevent a possible fire, do not block air intakes or exhaust in any manner.</li> <li>5. Do not insert or allow foreign objects to enter any ventilation or exhaust opening as this may cause an electric shock or fire, or damage the heater.</li> <li>6. Serious injury or death could result from electric shock. Make sure electrical power supply circuit coming to heater is disconnected at main disconnect or service panel before installing or servicing this heater.</li> <li>7. DBA model with 250 watt a linear foot or less, without wire mesh, are UL approved for residential use. Model SHA is not for residential or household use.</li> </ol>

SAVE THESE INSTRUCTIONS

**Table A - DBA & SHA (one element)**

Catalog Number	Length "L"	Watts per ft.	Total Watts	Amperage					
				120V	208V	240V	277V	347V	600V
02100	28" (711mm)	100	200	1.7	1.0	0.8	--	--	--
02125		125	250	2.1	1.2	1.0	0.9	--	--
02150		150	300	2.5	1.4	1.3	1.1	--	--
02188		188	376	3.1	1.8	1.6	1.4	--	--
02250		250	500	4.2	2.4	2.1	1.8	1.4	--
03100	3' (914mm)	100	300	2.5	1.4	1.3	1.1	--	--
03125		125	375	3.1	1.8	1.6	1.4	1.1	--
03150		150	450	3.8	2.2	1.9	1.6	1.3	--
03188		188	564	4.7	2.7	2.4	2.0	1.6	--
03250		250	750	6.3	3.6	3.1	2.7	2.2	--
04100	4' (1219mm)	100	400	3.3	1.9	1.7	1.4	1.2	--
04125		125	500	4.2	2.4	2.1	1.8	1.4	--
04150		150	600	5.0	2.9	2.5	2.2	1.7	--
04188		188	752	6.3	3.6	3.1	2.7	2.2	1.3
04250		250	1000	8.3	4.8	4.2	3.6	2.9	1.7
05100	5' (1524mm)	100	500	4.2	2.4	2.1	1.8	1.4	0.8
05125		125	625	5.2	3.0	2.6	2.3	1.8	1.0
05150		150	750	6.3	3.6	3.1	2.7	2.2	1.3
05188		188	940	7.8	4.5	3.9	3.4	2.7	1.6
05250		250	1250	10.4	6.0	5.2	4.5	3.6	2.1
06100	6' (1829mm)	100	600	5.0	2.9	2.5	2.2	1.7	1.0
06125		125	750	6.3	3.6	3.1	2.7	2.2	1.3
06150		150	900	7.5	4.3	3.8	3.2	2.6	1.5
06188		188	1128	9.4	5.4	4.7	4.1	3.3	1.9
06250		250	1500	12.5	7.2	6.3	5.4	4.3	2.5
07100	7' (2134mm)	100	700	--	3.4	2.9	2.5	2.0	1.2
07125		125	875	--	4.2	3.6	3.2	2.5	1.5
07150		150	1050	--	5.0	4.4	3.8	3.0	1.8
07188		188	1316	--	6.3	5.5	4.8	3.8	2.2
07250		250	1750	--	8.4	7.3	6.3	5.0	2.9
08100	8' (2438mm)	100	800	--	3.8	3.3	2.9	2.3	1.3
08125		125	1000	--	4.8	4.2	3.6	2.9	1.7
08150		150	1200	--	5.8	5.0	4.3	3.5	2.0
08188		188	1504	--	7.2	6.3	5.4	4.3	2.5
08250		250	2000	--	9.6	8.3	7.2	5.8	3.3
09100	9' (2743mm)	100	900	--	4.3	3.8	3.2	2.6	1.5
09125		125	1125	--	5.4	4.7	4.1	3.2	1.9
09150		150	1350	--	6.5	5.6	4.9	3.9	2.3
09188		188	1692	--	8.1	7.1	6.1	4.9	2.8
09250		250	2250	--	10.8	9.4	8.1	6.5	3.8
10100	10' (3048mm)	100	1000	--	4.8	4.2	3.6	2.9	1.7
10125		125	1250	--	6.0	5.2	4.5	3.6	2.1
10150		150	1500	--	7.2	6.3	5.4	4.3	2.5
10188		188	1880	--	9.0	7.8	6.8	5.4	3.1
10250		250	2500	--	12.0	10.4	9.0	7.2	4.2

**SHA (two and three element)**

Catalog Number	Length "L"	Watts per ft.	Total Watts	Amperage										
				208V			240V			277V	347V			600V
				1 Ph	3 Ph	1 Ph	3 Ph	1 Ph	1 Ph	1 Ph	1 Ph	3 Ph		
02375	28" (711mm)	375	750	3.6	-	3.1	-	2.7	-	-	-	-	-	
02500		500	1000	4.8	-	4.2	-	3.6	-	2.9	-	-	-	
02600		600	1200	5.8	3.3	5.0	2.9	4.3	-	-	-	-	-	
02750*		750	1500	7.2	4.2	6.3	3.6	5.4	4.3	-	-	-	-	
03375		375	1125	5.4	-	4.7	-	4.1	-	-	-	-	-	
03500	3' (914mm)	500	1500	7.2	-	6.3	-	5.4	-	4.3	-	-	-	
03600		600	1800	8.7	5.0	7.5	4.3	6.5	-	-	-	-	-	
03750*		750	2250	10.8	6.3	9.4	5.4	8.1	6.5	-	-	-	-	
04375		375	1500	7.2	-	6.3	-	5.4	4.3	-	-	-	-	
04500		4' (1219mm)	500	2000	9.6	-	8.3	-	7.2	-	5.8	3.3	-	-
04600	600		2400	11.5	6.7	10.0	5.8	8.7	6.9	-	-	-	-	
04750*	750		3000	14.4	8.3	12.5	7.2	10.8	8.6	5.0	2.9	-	-	
05375	375		1875	9.0	-	7.8	-	6.8	5.4	3.1	-	-	-	
05500	5' (1524mm)		500	2500	12.0	-	10.4	-	9.0	7.2	4.2	-	-	-
05600		600	3000	14.4	8.3	12.5	7.2	10.8	8.6	5.0	2.9	-	-	
05750*		750	3750	18.0	10.4	15.6	9.0	13.5	10.8	6.3	3.6	-	-	
06375		375	2250	10.8	-	9.4	-	8.1	6.5	3.8	-	-	-	
06500		6' (1829mm)	500	3000	14.4	-	12.5	-	10.8	8.6	5.0	-	-	-
06600	600		3600	17.3	10.0	15.0	8.7	13.0	10.4	6.0	3.5	-	-	
06750*	750		4500	21.6	12.5	18.8	10.8	16.2	13.0	7.5	4.3	-	-	
07375	375		2625	12.6	-	10.9	-	9.5	7.6	4.4	-	-	-	
07500	7' (2134mm)		500	3500	16.8	-	14.6	-	12.6	10.1	5.8	-	-	-
07600		600	4200	20.2	11.7	17.5	10.1	15.2	12.1	7.0	4.0	-	-	
07750*		750	5250	25.2	14.6	21.9	12.6	19.0	15.1	8.8	5.1	-	-	
08375		375	3000	14.4	-	12.5	-	10.8	8.6	5.0	-	-	-	
08500		8' (2438mm)	500	4000	19.2	-	16.7	-	14.4	11.5	6.7	-	-	-
08600	600		4800	23.1	13.3	20.0	11.6	17.3	13.8	8.0	4.6	-	-	
08750*	750		6000	28.8	16.7	25.0	14.5	21.7	17.3	10.0	5.8	-	-	
09375	375		3375	16.2	-	14.1	-	12.2	9.7	5.6	-	-	-	
09500	9' (2743mm)		500	4500	21.6	-	18.8	-	16.2	13.0	7.5	-	-	-
09600		600	5400	26.0	15.0	22.5	13.0	19.5	15.6	9.0	5.2	-	-	
09750*		750	6750	32.5	18.8	28.1	16.3	24.4	19.5	11.3	6.5	-	-	
10375		10' (3048mm)	375	3750	18.0	-	15.6	-	13.5	10.8	6.3	-	-	-
10500			500	5000	24.0	-	20.8	-	18.1	14.4	8.3	-	-	-
10600	600		6000	28.8	16.7	25.0	14.5	21.7	17.3	10.0	5.8	-	-	
10750*	750		7500	36.1	20.8	31.3	18.1	27.1	21.6	12.5	7.2	-	-	

\*Bottom inlet only

**IMPORTANT NOTE:** Certain fabrics and vinyl materials (such as vinyl blinds) may become damaged by the heated air from the heater and should not be installed above the heater.

**Front of Heater to Full Length Drapes in Front of Heater:**

- Minimum between bottom of drapes and floor – 2-1/2 inches (64 mm)
- Minimum between top of drapes and ceiling – 1/2 inch (13 mm)
- Minimum between front of heater and nearest fold of drape – 2 inches (51 mm)

**Top of Heater to Bottom of Window Sill:**

- Minimum 12 inches (305 mm)

**Table B. Sizing Field Installed Wiring**

Copper wire size 90° C	Max. No. wire installed in wireway	Maximum Allowable Current		
		Up to 3 conductors	4 to 6 conductors	7 to 9 conductors
No. 12 AWG	9	11.5 Amps	9.3 Amps	8.1 Amps
No. 10 AWG	8	17.4 Amps	14.0 Amps	12.1 Amps
No. 8 AWG	4	24.0 Amps	21.0 Amps	-

**Table C. Maximum Length of Heater Run**

Watts/Ft of Heaters	Max. allowable length of heater run in feet (meters)											
	120V		208V		240V		347V		600V			
	1 Ph	3 Ph	1 Ph	3 Ph	1 Ph	3 Ph	1 Ph	3 Ph	1 Ph	3 Ph		
100	54 (16)	93 (28)	-	-	108 (33)	-	-	-	124 (38)	156 (47)	270 (82)	467 (142)
125	43 (13)	74 (23)	-	-	86 (26)	-	-	-	99 (30)	125 (38)	216 (66)	373 (113)
150	36 (11)	62 (19)	-	-	72 (22)	-	-	-	83 (25)	104 (32)	180 (55)	311 (95)
188	28 (9)	49 (15)	-	-	57 (17)	-	-	-	66 (20)	83 (25)	146 (45)	248 (76)
250	21 (6)	37 (11)	-	-	43 (13)	-	-	-	49 (15)	62 (19)	108 (33)	186 (57)
375	-	34 (7)	-	-	28 (9)	-	-	-	33 (10)	42 (13)	72 (22)	125 (38)
500	-	18 (5)	-	-	21 (6)	-	-	-	24 (7)	31 (9)	54 (16)	93 (28)
600	-	15 (5)	27 (8)	18 (5)	31 (9)	20 (6)	26 (8)	45 (14)	78 (24)	-	-	-
750	-	12 (4)	21 (6)	14 (4)	24 (7)	16 (5)	21 (6)	36 (11)	62 (19)	-	-	-

## INSTALLATION INSTRUCTIONS

### **⚠ WARNING ⚠**

#### **TO REDUCE THE RISK OF FIRE AND ELECTRIC SHOCK OR INJURY TO PERSONS, OBSERVE THE FOLLOWING:**

1. Serious injury or death could result from electric shock. Make sure electrical power supply circuit coming to heater are disconnected at main disconnect or service panel before installing this heater.
2. Wiring procedures and connections must be in accordance with the National Electrical Code (NEC) and local codes. Refer to Wiring Diagram on heater and Figure 7. Make sure all electrical connections are tight to prevent possible overheating. Use Copper Supply Wire Only.
3. Verify the electrical power supply voltage matches the voltage rating as printed on the heater nameplate.

#### **CAUTION - Never connect a heater to a voltage greater than the nameplate voltage as this will damage the heater and could cause a fire.**

4. Do not install the heater against combustible low-density cellulose fiberboard surfaces, against or below vinyl wall coverings, or below any materials that may be damaged by heat such as vinyl or plastic blinds, curtains, etc.
5. Do not install heater below an electrical convenience receptacle (outlet).
6. **CAUTION** – Heater operates at high temperatures. Keep electrical cords (including telephone and computer cables), drapes, and other furnishings away from heater. For efficient and safe operation, we recommend maintaining a minimum of 6 inches (152 mm) clearance above and in front of the heater at all times. See Clearances Chart for minimum clearance requirements.
7. To reduce the risk of fire, do not store or use gasoline or other flammable vapors or liquids in the vicinity of the heater.
8. Do not install heater upside down or in any position other than as shown in this manual.
9. Do not recess heater in wall or install heater inside any type enclosure as this will cause heater to overheat and could create a hazard.
10. When mounting heater, use care when drilling mounting holes and mounting heater to building structure to avoid damaging internal heater components. Be sure to loosen mounting screws ½ turn to allow for expansion and contraction.
11. Do not remove or bypass the safety limit control(s) (thermal protector) as this could allow heater to become a fire hazard, see heater wiring diagram supplied with heater.
12. The factory installed wires inside wireway are used to connect the built-in controls. Limit the maximum current to no more than 45 total amp. Refer to instructions and current capacity rating as provided with the accessory.
13. Heaters that are not installed end to end must have end caps installed to cover exposed ends of heater.
14. When RSA Transformer Relay Accessory is used in this heater, all wiring within compartment where this device is installed must be rated at least 90°C.
15. Do not allow object to be placed on top of heater as they may be damaged or create a fire hazard.
16. To avoid damaging heater, do not use a screw driver to separate front cover from back housing. Use only a putty knife as shown, see Fig. 1
17. Before energizing, make sure front cover is properly locked onto the back housing along the entire length of the heater, see Fig. 4. Do not operate heater without front cover installed.

## Rough in Wire

1. Run branch circuit of proper voltage and wire size to location of left or right junction box as indicated on heater wiring diagram. Basic heaters are prewired and can be connected to branch circuit at either end. Heaters with controls are prewired for connection to branch circuit at one end only (refer to heater wiring diagram). However, heater can be wired from opposite end by running wires through heater wireway. See Fig. 2 for knockout locations.
2. If it is necessary to run wires through the heater wireway, use Table B to size the field installed wiring.
3. The factory installed wires in the heater wireway can be loaded up to 45 amps. Refer to Table C for maximum length of heater run when the heaters are connected in parallel.

**Disconnect Switch:** 20 amps @ 120-277 VAC

**Thermostat:** 25 amps @ 120-240 VAC  
22 amps @ 277 VAC

**Transformer Relay:** 25 amps @ 120-240 VAC  
22 amps @ 277 VAC  
17 amps @ 347 VAC  
12 amps @ 600 VAC

**Power Relay** 25 amps @ 120-277 VAC

**Pneumatic/Electric Switch** 25 amps @ 120-277 VAC

**NOTE:** For mix of watt densities, calculate amp draw. Do not exceed 45 amps.

4. Standard 90° C wiring must be used in junction boxes, wireways, blank sections, filler sections and corner sections.

## Room Layout

Refer to heating plans for exact room arrangement of heaters (with or without thermostats and/or relays and/or switches and accessories).

Check the heater section dimensions and the additional wall length required for filler sections or blank sections before starting wall-to-wall type installation. Be certain all heaters and accessories needed are at hand and are of correct finish.

## Mounting Height

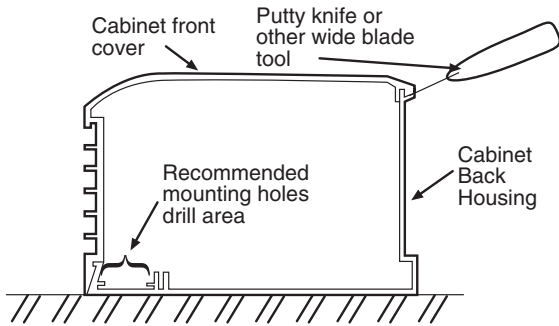
**NOTE:** Up to 3/4" thick floor covering, such as carpets, tiles, linoleum, etc., may be installed around and under the heater without adversely affecting the performance of the heaters.

At correct height, draw a pencil line on the wall, level and/or parallel with the window sill. Minimum mount heights above the floor shall be as follows.

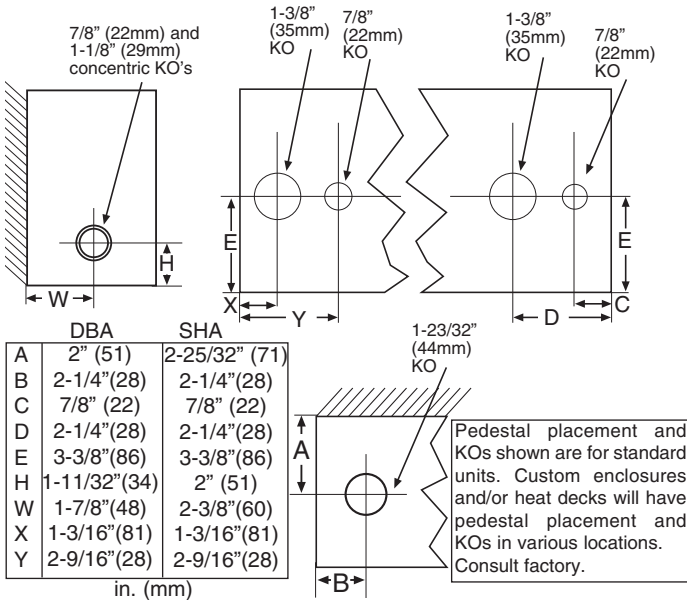
## Installation of Single Unit

**NOTE:** For ease of installation, it is important that the sequence of operation indicated below be followed in order. For heaters with more than one heat deck, heat decks may be wired in parallel or each heat deck may be supplied by separate circuit. See heater nameplate for current load for each heat deck.

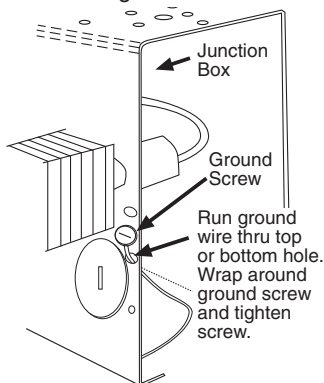
1. Remove unit from carton and discard external pads and plastic wrap.
2. Remove front cover by laying the heater on its back and inserting a putty knife (or other thin, wide blade tool, 1" [25mm] wide minimum) approximately 6" (152mm) from the end of the heater and prying up as shown in Fig.1. This will spring the snap lock closure open. Repeat as required down the length of the heater until the front cover completely disengages from the heater back.
3. Remove appropriate electrical knockouts from either junction box. See Fig. 2 for location of knockouts. If heater is to be



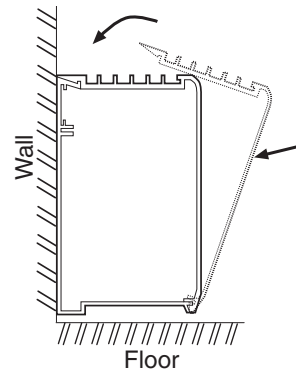
- Fig. 1**  
pedestal mounted, consult pedestal kit installation instructions.
4. Drill the required size mounting holes in the heater housing (See Fig. 1 for recommended mounting hole location.)
  5. Hold heater housing against the wall to check for evenness of wall. Do not draw heater against an uneven wall surface. If an uneven wall is encountered, use shims to keep the heater housing straight.



- Fig. 2**
6. Run proper size branch circuit to the junction box through the selected knockout.
  7. Mount the heater on the wall using screws, bolts or anchors (by installer) to suit the wall construction.
  8. Tighten mounting screw and back off 1/2 turn to allow for expansion and contraction of the heater.
  9. Following the wiring diagram secured to the heater, make electrical connections. Ground the heater using the ground screw provided. See Fig. 3.



**Fig. 3**



- Fig. 4**
10. Replace front cover by latching the bottom front edge of the front cover over the bottom front edge of the back and pushing the cover straight back to latch the top rear edge of the back with the top rear edge of the front cover. See Fig. 4.

### Installation of Multiple Wall to Wall Units

**NOTE:** For ease of installation, it is important that the sequence of operations indicated below be followed in order.

1. Repeat Steps 1 & 2 from Single Unit Installation.
2. Refer to wiring diagram for power supply entry and remove appropriate electrical knockout (Fig. 2) from the heater in which power supply connections are to be made. The power supply may be brought into the end of one heater and the remaining heaters may be connected in parallel using the wireway. Use Table B to size the field installed wiring in the wireway or use Table C to determine the maximum length or heater run possible using the factory installed wire in the heater wireway. If units are to be pedestal mounted, consult pedestal kit installation instructions.
3. If filler sections, inside corners, outside corners, splice kits or end caps are to be used, consult accessory installation instructions.

**NOTE:** If a heater has a disconnect switch and/or thermostat and is to have a filler section at the left end, the filler must not cover the access to those controls.

4. If the run of the heaters includes an inside corner or an outside corner, mount corner to wall (see accessory installation instructions packed with corners), then mount heater.
5. Drill the required size mounting holes in all the heater housings. (See Fig. 1 for recommended mounting hole location.)
6. Hold heater housings against wall to check for evenness of the wall. Do not draw the heaters against an uneven wall surface. If an uneven wall is encountered, use shims to keep the heater housing straight.
7. Run proper size branch circuit to the junction box through the selected knockout.
8. Mount the heaters on the wall using screws, bolts or anchors (by installer) which suit the wall construction. Alignment tabs can be inserted in adjoining back housings to assure even alignment. See Fig. 5 for details.
9. Following the wiring diagram secured to the heater, make the electrical connections. Refer to Fig. 7 to connect the other heaters in parallel. Grounding of the other heaters is accomplished by connecting a jumper wire (not supplied) between the two adjacent heaters.
10. Replace front covers following Step 10, Single Unit Installation (See Fig. 4.)

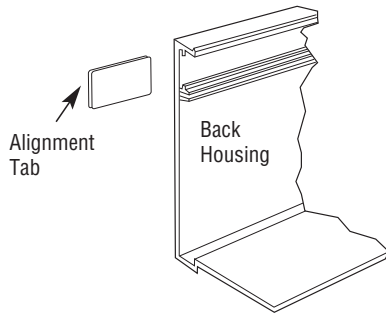


Fig. 5

### Blank and Control Sections

1. Blank sections, if any, are installed in the same manners as the heaters.
2. Control sections, if any are installed in the same manner as the heaters. Refer to wiring diagrams on control sections for connecting the wiring to the heaters.

### OPERATING INSTRUCTIONS

1. After heater(s) are completely assembled and installed, set thermostat or operating controls for NO HEAT and energize the heater circuit (s). Verify the heater(s) are not producing heat.
2. Adjust thermostat or operating control to call for heat. Allow heater(s) to operate for a few minutes and verify all heaters are producing heat.

**Note:** during initial start up, heaters may exhibit a new smell and possibly some slight smoke from the manufacturing residues on the heating element. Allow heaters to operate for approximately 30 minutes to dissipate these residues. Ventilating the area may be desired.

3. To set thermostat or operating controls to maintain desired comfort level, allow heaters to operate until room ambient temperature reaches the desired level. The thermostat or operating control can then be adjusted to maintain this temperature.

**Note:** when built-in thermostat and/or disconnect switch is/ or provided, access to these controls will be through grille openings at one end of the heater. To rotate the thermostat shaft will require a small flat blade screw driver. The disconnect switch is a rocker switch that can be operated with the same screw driver or tool through the openings.

4. If built-in thermostat is provided, after room reaches desired comfort level, rotate thermostat shaft counterclockwise until the thermostat clicks. This should allow the thermostat to cycle the heater on and off to maintain this temperature. Rotation in the clockwise direction will allow the heater to remain ON MORE and will maintain a HIGHER room ambient. Likewise, rotation in the counterclockwise direction will result in the heater remaining ON LESS and the room ambient will be LOWER. If remote thermostat or other types of controls are provided, refer to the instructions provided with these controls for proper operation.

**IMPORTANT NOTE:** These heaters are provided with a built-in safety limit (Thermal Protector— see Fig. 7) to automatically turn off the heater if it is blocked or otherwise overheats due to an abnormal condition. The heaters should not be cycling off on this safety control during normal use. If this is occurring, check heater installation to assure it has adequate clearances and the free airflow around heater is not restricted. If heater continues to cycle on this safety control, discontinue using until it can be inspected and/or repaired by a qualified electrician.

### MAINTENANCE INSTRUCTIONS

Your heater will give your years of service and comfort with only minimal care. The user can perform periodic cleaning of the exterior cabinet, but all other interior cleaning and servicing should be done by a qualified service person.

**Note:** For efficient and safe operation, airflow must not be restricted in and around the heater. As air moves through the heater by convection, dust and lint may accumulate in the heater and around the heating element that needs to be cleaned periodically. It is recommended that your heater be cleaned and inspected for damage at least annually (or more often if needed).

**⚠ WARNING ⚠**

1. Serious injury or death could result from electric shock. Make sure electrical power supply circuit(s) coming to heater is/are disconnected at main disconnect or service panel before servicing this heater. Allow heater to cool before cleaning to prevent a possible burn.

**Note:** More than one power source may enter heater. Be sure all power is disconnected to heater before cleaning or servicing.

2. Use care when cleaning element fins to avoiding damaging fins. Note also that fins are sharp and may cause cuts so avoid contact.

1. The exterior of the heater may be cleaned with a damp cloth. However, do not use harsh cleaners, polishes, or waxes as these may damage the surface or leave a residue that will discolor.
2. To clean interior of heater will require the removal of the front cover. To remove the front cover, disengage the top rear snap-lock first. Use an "L" shaped tool, such as an Allen Wrench, to lift up under the webs between the back row of slots (See Fig. 6). Start at either end and lift up on the front cover until the tension in the cover pulls the cabinet apart. Continue moving along the length of the heater until the cover comes off.

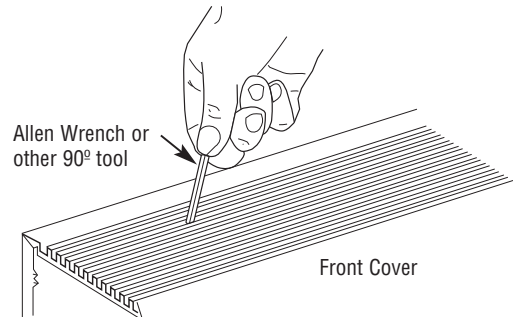


Fig. 6

3. With front cover removed, a vacuum cleaner or compressed air can be used to clear dust and lint from inside heater and around the heating element. Fins are sharp and may cause cuts so avoid contact by hands. Use care to not damage the aluminum fins.
4. As a matter of normal maintenance, check remainder of heater for damage or possible maintenance issues while cover is removed and make any repairs needed.
5. Replace front cover as shown in Fig. 4 making sure it is locked in position along length of heater. Restore power to heater and verify it is operating properly.

## Typical Wiring of Multiple Heaters (without controls)

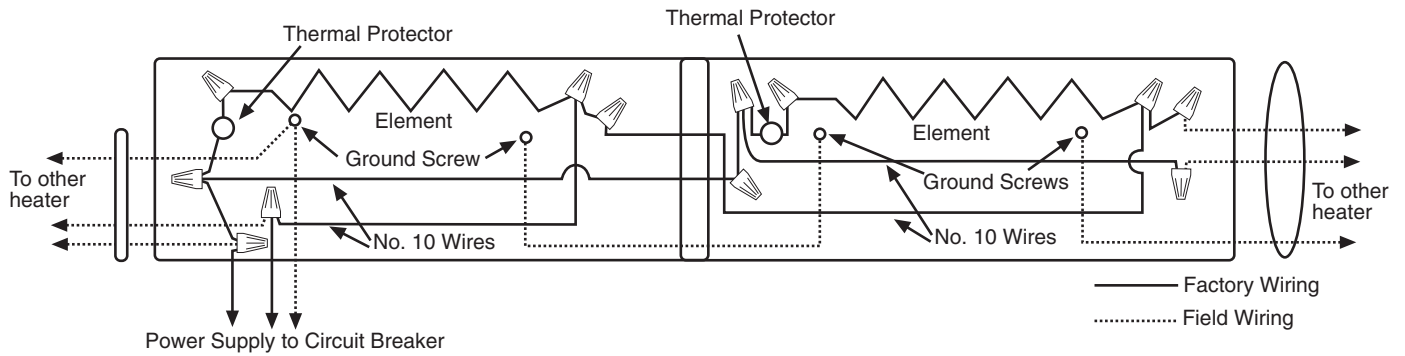


Fig. 7

### LIMITED WARRANTY

All products manufactured by Marley Engineered Products are warranted against defects in workmanship and materials for one year from date of installation, except heating elements which are warranted against defects in workmanship and materials for five years from date of installation. This warranty does not apply to damage from accident, misuse, or alteration; nor where the connected voltage is more than 5% above the nameplate voltage; nor to equipment improperly installed or wired or maintained in violation of the product's installation instructions. All claims for warranty work must be accompanied by proof of the date of installation.

The customer shall be responsible for all costs incurred in the removal or reinstallation of products, including labor costs, and shipping costs incurred to return products to Marley Engineered Products Service Center. Within the limitations of this warranty, inoperative units should be returned to the nearest Marley authorized service center or the Marley Engineered Products Service Center, and we will repair or replace, at our option, at no charge to you with return freight paid by Marley. It is agreed that such repair or replacement is the exclusive remedy available from Marley Engineered Products.

THE ABOVE WARRANTIES ARE IN LIEU OF ALL OTHER WARRANTIES EXPRESSED OR IMPLIED, AND ALL IMPLIED WARRANTIES OF MERCHANTABILITY AND FITNESS FOR A PARTICULAR PURPOSE WHICH EXCEED THE AFORESAID EXPRESSED WARRANTIES ARE HEREBY DISCLAIMED AND EXCLUDED FROM THIS AGREEMENT. MARLEY ENGINEERED PRODUCTS SHALL NOT BE LIABLE FOR CONSEQUENTIAL DAMAGES ARISING WITH RESPECT TO THE PRODUCT, WHETHER BASED UPON NEGLIGENCE, TORT, STRICT LIABILITY, OR CONTRACT.

Some states do not allow the exclusion or limitation of incidental or consequential damages, so the above exclusion or limitation may not apply to you. This warranty gives you specific legal rights, and you may also have other rights which vary from state to state.

For the address of your nearest authorized service center, contact Marley Engineered Products in Bennettsville, SC, at 1-800-642-4328. Merchandise returned to the factory must be accompanied by a return authorization and service identification tag, both available from Marley Engineered Products. When requesting return authorization, include all catalog numbers shown on the products.

### HOW TO OBTAIN WARRANTY SERVICE AND WARRANTY PARTS PLUS GENERAL INFORMATION

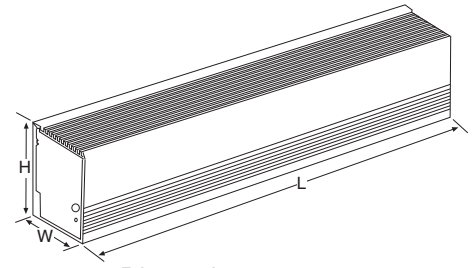
- |                                |                         |
|--------------------------------|-------------------------|
| 1. Warranty Service or Parts   | <b>1-800-642-4328</b>   |
| 2. Purchase Replacement Parts  | <b>1-800-654-3545</b>   |
| 3. General Product Information | <b>www.marlymep.com</b> |

**Note:** When obtaining service always have the following:

1. Model number of the product
2. Date of manufacture
3. Part number or description



470 Beauty Spot Rd. East  
Bennettsville, SC 29512 USA



**DBA y SHA**  
**Calefactores de convección arquitectónicos a nivel de zócalo**



Dimensiones

Typo	Altura	Ancho	Longitud
DBA	6"	3-5/8"	28" a 15'
	152 mm	92 mm	711 mm a 4572 mm
SHA	7"	5-3/8"	28" a 12'
	178 mm	136 mm	711 mm a 3658 mm

**Instrucciones de instalación, operación y mantenimiento**

**GENERALIDADES**

Este calefactor está diseñado para proporcionar muchos años de funcionamiento eficiente y sin problemas como fuente de calor principal o complementaria para calefacción ambiental, en aplicaciones residenciales (modelo DBA únicamente a 820 watts por metro lineal / 250 watts por pie lineal) y comerciales. La instalación o uso de este producto de cualquier manera no descrita en este manual anulará la garantía, y podría provocar lesiones, daños materiales o daño permanente al calefactor.

**INSTRUCCIONES IMPORTANTES**

**⚠️ ADVERTENCIA ⚠️**

**AL UTILIZAR ARTEFACTOS ELÉCTRICOS, PARA REDUCIR EL RIESGO DE INCENDIO, CHOQUE ELÉCTRICO Y LESIONES PERSONALES DEBEN OBSERVARSE SIEMPRE ALGUNAS PRECAUCIONES BÁSICAS, COMO LAS SIGUIENTES:**

1. Lea todas las instrucciones antes de instalar o utilizar el calefactor.
2. Un calefactor tiene en su interior piezas calientes, y piezas en donde se producen arcos o chispas. No lo utilice en áreas en las que se utilice o almacene gasolina o líquidos inflamables.
3. Cuando está en funcionamiento, el calefactor está muy caliente. Para evitar quemaduras, no deje que su piel haga contacto directo con las superficies calientes. Mantenga lejos del calefactor los materiales combustibles como muebles, almohadas, ropas de cama, papeles, ropas y cortinas.
4. Para evitar un posible incendio, no bloquee de ningún modo las entradas o la descarga de aire.
5. No inserte ni permita que entren objetos extraños en ninguna abertura de ventilación o de descarga, porque esto puede ser causa de choque eléctrico o incendio, o de daños al calefactor.
6. Un choque eléctrico podría producir lesiones graves o la muerte. Asegúrese de que el circuito de alimentación eléctrica del calefactor esté desconectado en el tablero de servicio o desconectador principal, antes de instalar este calefactor.
7. El modelo DBA, con 820 watts por metro lineal (250 watts por pie lineal) o menos, sin malla de alambre, está aprobado por UL para uso residencial. El modelo SHA no es para uso residencial o doméstico.

**GUARDE ESTAS INSTRUCCIONES**





# INSTRUCCIONES DE INSTALACIÓN

## ⚠ ADVERTENCIA ⚠

### PARA REDUCIR EL PELIGRO DE INCENDIO, CHOQUE ELÉCTRICO O DAÑO A LAS PERSONAS, OBSERVE LO SIGUIENTE:

1. Un choque eléctrico podría producir lesiones graves o la muerte. Asegúrese de que el circuito de alimentación eléctrica del calefactor esté desconectado en el tablero de servicio o desconectador principal, antes de instalar este calefactor.
2. Los procedimientos de cableado y las conexiones deben estar de acuerdo con el Código Eléctrico Nacional (NEC) de los EE. UU. y los códigos locales. Consulte el Diagrama de conexión que está en el calefactor y en la Figura 7. Asegúrese de que todas las conexiones eléctricas estén firmes, para evitar posibles sobrecalentamientos. Utilice cables de alimentación de cobre únicamente.
3. Verifique que la tensión de alimentación eléctrica coincida con la tensión nominal que está impresa en la placa de características del calefactor.

**PRECAUCIÓN: no conecte nunca un calefactor a una tensión mayor que la nominal que se indica en la placa de características, ya que esto dañará el calefactor y podría originar un incendio.**

4. No instale el calefactor contra superficies de tableros de fibra de celulosa de baja densidad, contra o debajo de revestimientos de pared vinílicos, ni debajo de ningún material que pueda dañarse por el calor, como cortinas o persianas vinílicas o plásticas, etc.
5. No instale el calefactor debajo de un tomacorriente eléctrico.
6. **PRECAUCIÓN:** el calefactor funciona a altas temperaturas. Mantenga los cordones eléctricos (incluidos los cables de teléfono y de computadora), cortinados y otros elementos del mobiliario, alejados del calefactor. Para garantizar un funcionamiento eficiente y seguro, recomendamos mantener en todo momento un espacio libre de 152 mm (6 pulgadas) como mínimo por encima y frente al calefactor. Vea los requisitos de espacios libres mínimos en el Cuadro de espacios libres.
7. Para reducir el riesgo de incendio, no almacene ni use gasolina u otros vapores y líquidos inflamables en las cercanías del calefactor.
8. No instale el calefactor en posición invertida ni en cualquier otra posición diferente de la que se muestra en esta hoja de instrucciones.
9. No instale el calefactor embutido en la pared ni dentro de gabinetes de ningún tipo, ya que esto hará que se sobrecaliente, lo que podría crear un riesgo.
10. Durante la instalación tenga cuidado cuando perforo los agujeros de montaje y monte el calefactor en la estructura del edificio, para evitar dañar componentes internos del calefactor. No olvide aflojar los tornillos de montaje ½ vuelta, a fin de permitir la expansión y la contracción.
11. No retire ni puentee el (los) control(es) de límite de seguridad (protectores térmicos), ya que esto podría crear en el calefactor un riesgo de incendio; vea el diagrama de conexión del calefactor, que se suministra con él.
12. Los cables instalados en fábrica dentro del canal de cables se utilizan para conectar los controles incorporados. Limite la corriente máxima a no más de 45 amperes en total. Consulte las instrucciones y la especificación de capacidad de corriente provistas con el accesorio.
13. Los calefactores que no están instalados extremo a extremo deben tener tapas extremas instaladas, para cubrir los extremos expuestos de cada calefactor.
14. Cuando se utiliza el Accesorio de Relé con Transformador RSA en este calefactor, todo el conexionado que está dentro del compartimiento en el que se instala este dispositivo debe estar especificado para 90 °C como mínimo.
15. No permita la colocación de objetos sobre el calefactor, ya que pueden dañarse o crear un riesgo de incendio.
16. Para evitar dañar el calefactor, no utilice un destornillador para separar la cubierta frontal de la caja trasera. Utilice sólo una espátula, como se muestra en la Fig. 1.
17. Antes de energizar el calefactor asegúrese de que la cubierta frontal esté bien trabada sobre la caja trasera a todo lo largo del calefactor (vea la Fig. 4). No haga funcionar el calefactor si la cubierta frontal no está instalada.

## Cables de instalación

1. Realice el tendido de un circuito de derivación, de la tensión y calibre de cables adecuado, hasta la ubicación de la caja de conexiones izquierda o derecha, como se indica en el diagrama de conexión del calefactor. Los calefactores básicos están precableados y pueden conectarse al circuito de derivación por cualquiera de sus extremos. Los calefactores con controles están precableados para su conexión al circuito de derivación por uno solo de sus extremos (consulte el diagrama de conexión del calefactor). Sin embargo, el calefactor puede cablearse a partir del extremo opuesto si se tienen los cables a través del canal de cables del calefactor. Vea las ubicaciones de los prepunzonados en la Fig. 2.
2. Si fuera necesario tender cables por el canal de cables del calefactor, utilice la Tabla B para dimensionar el conexionado instalado en el sitio.
3. Los cables instalados en fábrica en el canal de cables del calefactor pueden cargarse hasta 45 A. Para conocer la longitud máxima del tramo de calefactores cuando se los conecta en paralelo, consulte la Tabla C.

**Interruptor de desconexión:** 20 A @ 120-277 V CA

**Termostato:** 25 A @ 120-240 V CA  
22 A @ 277 V CA

**Relé con transformador:** 25 A @ 120-240 V CA  
22 A @ 277 V CA  
17 A @ 347 V CA  
12 A @ 600 V CA

**Relé de potencia** 25 A @ 120-277 V CA

**Interruptor neumático/ eléctrico** 25 A @ 120-277 V CA

**NOTA:** para casos de mezcla de densidades de potencia, calcule el consumo de corriente. No se debe superar los 45 A.

4. Deben utilizarse cables estándar de 90 °C en cajas de conexiones, canales de cables, secciones vacías, secciones de relleno y secciones de esquina.

## Disposición en la habitación

Para ver el arreglo exacto de los calefactores en la habitación, vea los planos de calefacción (con o sin termostatos y/o relés y/o interruptores y accesorios).

Antes de comenzar una instalación del tipo de pared a pared identifique las dimensiones de la sección del calefactor y la longitud de pared adicional requeridas para las secciones de relleno o las secciones vacías. Asegúrese de que todos los calefactores y accesorios necesarios estén a mano y tengan el acabado correcto.

## Altura de montaje

**NOTA:** puede instalarse una cobertura del piso como alfombras, baldosas, linóleo, etc. de hasta 19 mm (3/4") de espesor alrededor y debajo del calefactor, sin afectar desfavorablemente su desempeño.

Trace una línea de lápiz en la pared a la altura correcta, nivelada y/o paralela al alféizar de la ventana. Las alturas de montaje mínimas respecto al piso serán como sigue.

## Instalación de una sola unidad

**NOTA:** para facilitar la instalación es importante seguir en orden la secuencia de operación que se indica a continuación. En calefactores con más de una sección calorífica, las secciones se pueden cablear en paralelo o cada una puede alimentarse desde un circuito separado. Vea en la placa de características del calefactor la carga de corriente de cada sección.

1. Retire la unidad de la caja y deseche las almohadillas externas y la envoltura plástica.
2. Retire la cubierta frontal apoyando el calefactor sobre su parte trasera e insertando una espátula (u otra herramienta de hoja ancha y delgada, de 25 mm [1"] de ancho como mínimo) aproximadamente 152 mm (6") desde el extremo del calefactor y haciendo palanca hacia arriba como se muestra en la figura 1. Esto hará que se abra la cerradura de resorte. Repita la operación según sea necesario a lo largo del calefactor, hasta que la cubierta frontal se desprenda completamente de la parte trasera del calefactor.

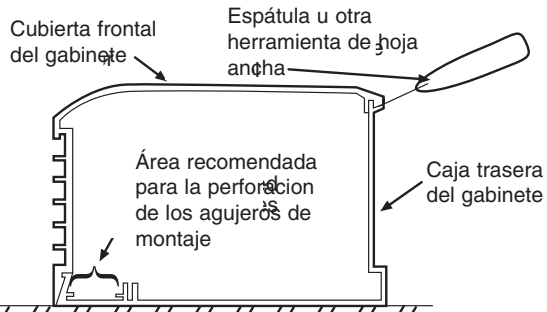


Fig. 1

3. Extraiga los prepunzonados eléctricos apropiados de una de las cajas de conexiones. Vea las ubicaciones de los prepunzonados en la Fig. 2. Si el calefactor se va a montar en un pedestal, consulte las instrucciones de instalación del juego de pedestal.
4. Perfore los agujeros de montaje del tamaño necesario en el gabinete del calefactor (vea la ubicación recomendada de los agujeros de montaje en la Fig. 1).
5. Sostenga el gabinete del calefactor contra la pared para verificar la uniformidad de la misma. No lleve el calefactor contra una superficie de pared que sea irregular. Si se encuentra una pared irregular, utilice suplementos para mantener recto el gabinete del calefactor.
6. Realice el tendido de un circuito de derivación del calibre adecuado hasta la caja de conexiones, a través del prepunzonado seleccionado.

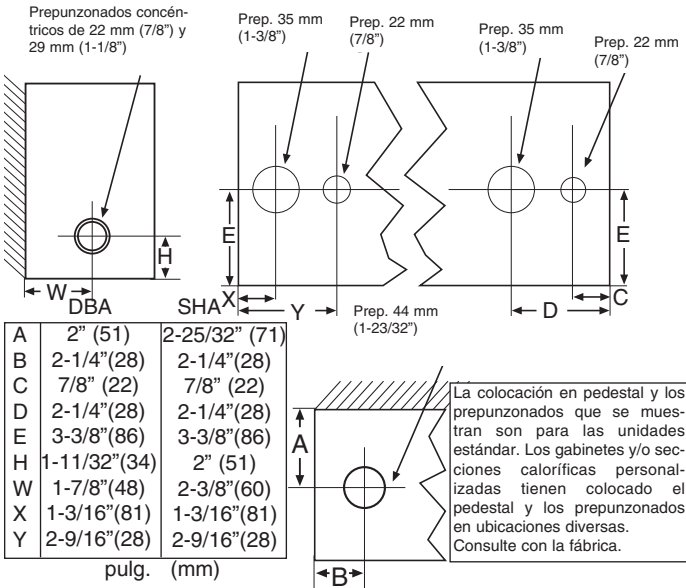


Fig. 2

7. Monte el calefactor contra la pared mediante tornillos, pernos o anclajes (a suministrar por el instalador) que sean adecuados para la construcción de la pared.
8. Apriete los tornillos de montaje y luego retroceda 1/2 vuelta para permitir la expansión y contracción del calefactor.
9. Haga las conexiones eléctricas de acuerdo con el diagrama de conexionado que está sujeto al calefactor. Conecte el calefactor a tierra mediante el tornillo de puesta a tierra provisto. Vea la Figura 3.

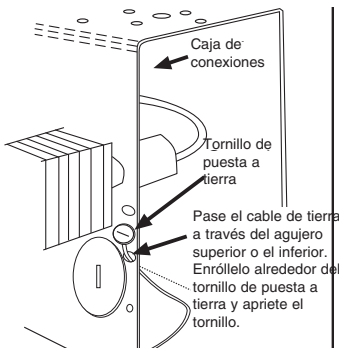


Fig. 3

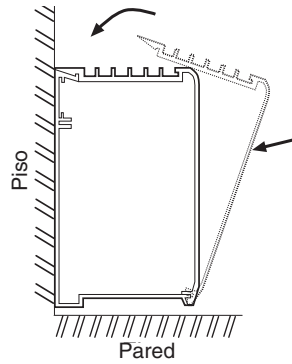


Fig. 4

10. Vuelva a colocar la cubierta frontal trabando su borde frontal inferior sobre el borde frontal inferior de la caja trasera, y empujando la cubierta en línea recta hacia atrás para trabar el borde trasero superior de la caja trasera con el borde trasero superior de la cubierta frontal. Vea la Figura 4

### Instalación de unidades múltiples de pared a pared

**NOTA:** para facilitar la instalación es importante seguir en orden la secuencia de operaciones que se indica a continuación.

1. Repita los Pasos 1 y 2 de la instalación de una sola unidad.
2. Consulte el diagrama de conexionado para ver cómo es la entrada de la alimentación eléctrica, y extraiga el prepunzonado eléctrico apropiado (Fig. 2) del calefactor en el que va a hacer las conexiones de alimentación eléctrica. La conexión de alimentación eléctrica puede llevarse hasta el extremo de un calefactor, y los calefactores restantes pueden conectarse en paralelo mediante el canal de cables. Para dimensionar el conexionado instalado en el sitio en el canal de cables utilice la Tabla B, o utilice la Tabla C para determinar la máxima longitud o tramo de calefactores posible mediante el uso de los cables instalados en fábrica en el canal de cables del calefactor. Si las unidades se van a montar en un pedestal, consulte las instrucciones de instalación del juego de pedestal.
3. Si se van a usar secciones de relleno, esquinas interiores, esquinas exteriores, juegos de empalme o tapas extremas, consulte las instrucciones de instalación de los accesorios.

**NOTA:** si un calefactor tiene un interruptor de desconexión y/o termostato y va a tener una sección de relleno en el extremo izquierdo, ésta no debe cubrir el acceso a esos controles.

4. Si el tramo de los calefactores incluye una esquina interior o una esquina exterior, monte la esquina contra la pared (vea las instrucciones de instalación de accesorios empaquetadas con las esquinas), y luego monte el calefactor.
5. Perfore los agujeros de montaje del tamaño necesario en todos los gabinetes de los calefactores (vea la ubicación recomendada de los agujeros de montaje en la Fig. 1).
6. Sostenga los gabinetes de los calefactores contra la pared para verificar la uniformidad de la misma. No lleve los calefactores contra una superficie de pared que sea irregular. Si se encuentra una pared irregular, utilice suplementos para mantener recto el gabinete del calefactor.
7. Realice el tendido de un circuito de derivación del calibre adecuado hasta la caja de conexiones, a través del prepunzonado seleccionado.
8. Monte los calefactores contra la pared mediante tornillos, pernos o anclajes (a suministrar por el instalador) que sean adecuados para la construcción de la pared. Pueden insertarse aletas de alineación en gabinetes traseros adyacentes, para asegurar una alineación uniforme. Vea los detalles en la Fig. 5.
9. Haga las conexiones eléctricas de acuerdo con el diagrama de conexionado que está sujeto al calefactor. Para conectar los otros calefactores en paralelo, consulte la Fig. 7. La puesta a tierra de los otros calefactores se logra conectando un puente de conexión (no suministrado) entre los dos calefactores adyacentes.
10. Vuelva a colocar las cubiertas frontales según el Paso 10 de la Instalación de una sola unidad (vea la Fig. 4).

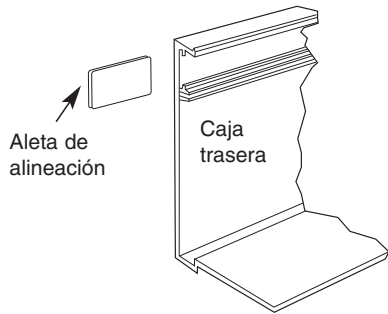


Fig. 5

### Secciones vacías y de control

1. Las secciones vacías, si las hay, están instaladas del mismo modo que los calefactores.
2. Las secciones de control, si las hay, están instaladas del mismo modo que los calefactores. Para la conexión del cableado que va a los calefactores, consulte los diagramas de conexión de las secciones de control.

### INSTRUCCIONES DE OPERACIÓN

1. Después de que el (los) calefactor(es) esté(n) completamente montado(s) e instalado(s), ajuste el termostato o los controles de operación para NO CALOR y energice el (los) circuito(s) de calefactor. Verifique que el (los) calefactor(es) no esté(n) produciendo calor.
2. Ajuste el termostato o el control de operación para demandar calor. Deje funcionar el (los) calefactor(es) durante unos minutos y verifique que todos estén produciendo calor.

**Nota:** durante la puesta en marcha inicial los calefactores pueden exhibir un nuevo aroma y posiblemente algo de humo, que proviene de los residuos de fabricación depositados sobre el elemento calefactor. Deje que los calefactores funcionen durante unos 30 minutos, para disipar estos residuos.

Puede ser deseable ventilar el área.

3. Para ajustar el termostato o los controles de operación de modo que mantengan el nivel de confort deseado, deje que los calefactores funcionen hasta que la temperatura ambiente de la habitación alcance el nivel deseado. El termostato o control de operación puede entonces ajustarse para mantener esta temperatura.

**Nota:** cuando se provee un termostato y/o un interruptor de desconexión incorporados, el acceso a estos controles será a través de aberturas de la rejilla que están en un extremo del calefactor. Para hacer girar el eje del termostato se necesitará un destornillador plano pequeño. El interruptor de desconexión es un interruptor basculante que puede manejarse con el mismo destornillador o herramienta a través de las aberturas.

4. Si se proporciona un termostato incorporado, después de que la habitación alcance el nivel de confort deseado, haga girar el eje del termostato en sentido antihorario hasta que el termostato haga un 'clic'. Esto debe permitir que el termostato haga describir al calefactor ciclos de encendido y apagado para mantener esta temperatura. La rotación en sentido horario hará que el calefactor esté encendido MÁS tiempo, y mantendrá una temperatura ambiente de la habitación MÁS ALTA. Análogamente, la rotación en sentido antihorario dará como resultado que el calefactor permanezca encendido MENOS tiempo y que la temperatura de la habitación sea MENOR. Si se provee un termostato u otros tipos de controles que sean remotos, consulte las instrucciones provistas con estos controles para que la operación sea segura.

**NOTA IMPORTANTE:** estos calefactores se proveen con un límite de seguridad incorporado (protector térmico, vea la Fig. 7) para apagar automáticamente el calefactor si se lo bloquea o si se sobrecalienta de cualquier modo debido a una condición anormal. Los calefactores no deben hacer ciclos de apagado con este control de seguridad dentro del uso normal. Si esto ocurre, verifique la instalación del calefactor para asegurarse de que tenga los espacios libres adecuados y de que la circulación de aire alrededor del calefactor no se encuentre restringida. Si el calefactor continúa haciendo ciclos con este control de seguridad, interrumpa su uso hasta que lo pueda inspeccionar y/o reparar un electricista calificado.

### INSTRUCCIONES DE MANTENIMIENTO

Su calefactor le brindará muchos años de servicio y confort con sólo un mínimo de cuidado. El usuario puede realizar una limpieza periódica del gabinete exterior, pero todo el resto de la limpieza interior y servicio debe estar a cargo de personal de servicio calificado.

**Nota:** para garantizar una operación eficiente y segura, la circulación de aire no debe estar restringida en el calefactor ni alrededor de él. A medida que el aire se mueve a través del calefactor por convección, puede acumularse el polvo y la pelusa en el mismo y alrededor del elemento calefactor, el que debe limpiarse periódicamente. Se recomienda que limpie e inspeccione su calefactor para verificar si presenta daños, una vez por año como mínimo (o con mayor frecuencia si fuera necesario).

### ⚠ ADVERTENCIA ⚠

1. Un choque eléctrico podría producir lesiones graves o la muerte. Asegúrese de que el (los) circuito(s) de alimentación eléctrica del calefactor esté(n) desconectado(s) en el tablero de servicio o desconector principal, antes de prestar servicio a este calefactor. Deje enfriar el calefactor antes de limpiarlo, para prevenir una posible quemadura.

**Nota:** puede ingresar al calefactor más de una fuente de alimentación. Asegúrese de que toda la alimentación eléctrica esté desconectada antes de la limpieza o el servicio.

2. Tenga cuidado al limpiar las aletas de los elementos calefactores, para evitar dañarlas. Note también que las aletas son aguzadas y pueden causar cortes; por eso, evite el contacto.

1. El exterior del calefactor puede limpiarse con un paño húmedo. Sin embargo, no use abrillantadores, ceras o limpiadores agresivos, ya que pueden dañar la superficie o dejar un residuo que alterará el color.
2. Para limpiar el interior del calefactor se necesita quitar la cubierta frontal. Para quitar la cubierta frontal, desenganche primero la cerradura de resorte superior trasera. Utilice una herramienta en forma de 'L', como una llave Allen, para levantar desde debajo de las nervaduras que están entre las hileras traseras de ranuras (vea la Fig. 6). Comience por uno de los extremos y levante la cubierta frontal hasta que la tensión de la misma separe el gabinete. Continúe moviéndose a lo largo del calefactor hasta que la cubierta salga totalmente.

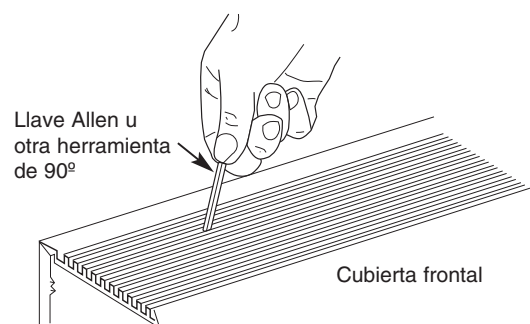


Fig. 6

3. Con la cubierta frontal extraída, puede utilizarse una aspiradora o aire comprimido para eliminar el polvo y la pelusa del interior del calefactor y de las cercanías del elemento calefactor. Las aletas son aguzadas, y pueden causar cortes; por eso, evite el contacto con sus manos. Tenga cuidado para no dañar las aletas de aluminio.
4. Como un asunto de mantenimiento normal, mientras esté quitada la cubierta revise el resto del calefactor para ver si presenta daños o posibles temas de mantenimiento, y haga las reparaciones que sean necesarias.
5. Vuelva a colocar la cubierta frontal como se muestra en la Fig. 4, y asegúrese de que esté trabada en su posición a todo lo largo del calefactor. Restablezca la alimentación eléctrica para el calefactor y verifique que esté funcionando correctamente.

## Conexión típica de calefactores múltiples (sin controles)

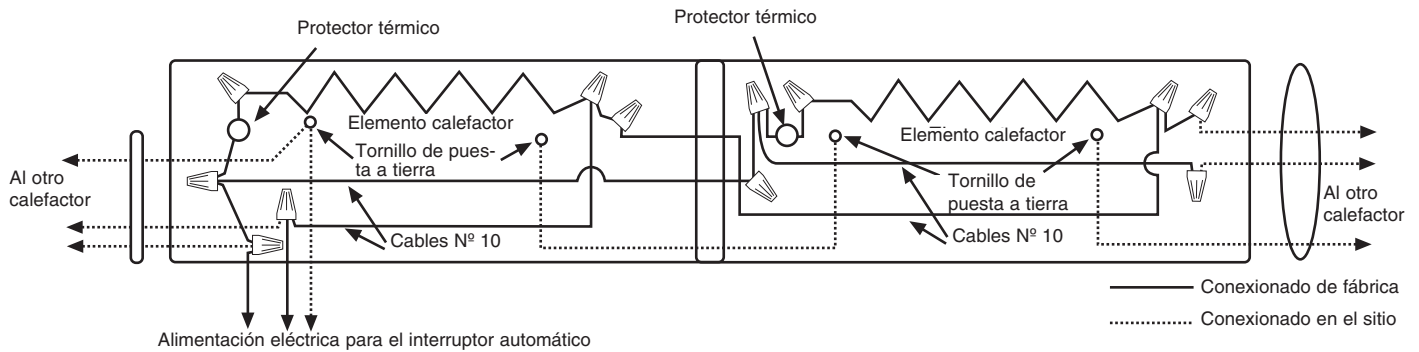


Fig. 7

### GARANTÍA LIMITADA

Todos los productos fabricados por Marley Engineered Products están garantizados contra defectos de fabricación y de materiales por 1 año desde la fecha de instalación, excepto los elementos calefactores los cuales están garantizados contra defectos en manufactura y materiales durante cinco años a partir de la fecha de instalación. Esta garantía no se aplica a daños debidos a accidente, mal uso o alteración, ni a los casos en que la tensión eléctrica conectada supere a la tensión nominal -indicada en la placa de características- en más de 5 %, ni a equipos que hayan sido instalados o cableados incorrectamente, o mantenidos en forma que no cumpla lo indicado en las instrucciones de instalación del producto. Todo reclamo por trabajos en garantía debe acompañarse con una prueba de la fecha de instalación.

El cliente será responsable de todos los costos incurridos en el retiro o reinstalación de productos, incluyendo los costos de mano de obra y los costos de envío incurridos para regresar productos a un Centro de Servicio de Marley Engineered Products. Dentro de las limitaciones de esta garantía, las unidades que no funcionan deben regresarse al centro de servicio autorizado Marley más cercano, o al Centro de Servicio de Marley Engineered Products, y nosotros lo repararemos o reemplazaremos, a nuestra opción, sin cargo para usted, con el flete de retorno pagado por Marley. Se acuerda que tal reparación o reemplazo es el único recurso que Marley Engineered Products pone a su disposición.

LAS GARANTÍAS EXPUESTAS MÁS ARRIBA TOMAN EL LUGAR DE TODA OTRA GARANTÍA, EXPRESA O IMPLÍCITA, Y POR LA PRESENTE SE DECLINA Y EXCLUYE DE ESTE ACUERDO TODA GARANTÍA IMPLÍCITA DE COMERCIABILIDAD Y ADECUACIÓN A UN PROPÓSITO PARTICULAR QUE EXCEDA LAS GARANTÍAS EXPRESAS ANTEDICHAS. MARLEY ENGINEERED PRODUCTS NO SE HARÁ RESPONSABLE POR DAÑOS CONSIGUIENTES QUE SE PRODUZCAN CON RESPECTO AL PRODUCTO, EN BASE YA SEA A NEGLIGENCIA, AGRAVIO, RESPONSABILIDAD ESTRICTA, O CONTRATO.

Algunos estados o jurisdicciones no permiten la exclusión o limitación de daños incidentales o consiguientes, de modo que la exclusión o limitación expresada más arriba puede no aplicarse a su caso. Esta garantía le da derechos legales específicos, y usted puede tener también otros derechos, que varían de un estado o jurisdicción a otro.

Para obtener la dirección de su centro de servicio autorizado más cercano comuníquese con Marley Engineered Products en Bennettsville, SC, Estados Unidos, llamando al 1-800-642-4328. Toda mercadería regresada a la fábrica debe ser acompañada por una autorización de retorno y una etiqueta de identificación de servicio, disponibles ambas en Marley Engineered Products. Cuando solicite la autorización de retorno, incluya todos los números de catálogo mostrados en los productos.

### CÓMO OBTENER SERVICIO EN GARANTÍA, PIEZAS DE REPUESTO E INFORMACIÓN GENERAL

1. Servicio o repuestos en garantía **1-800-642-4328**
2. Compra de repuestos **1-800-654-3545**
3. Información general sobre productos **www.marlymep.com**

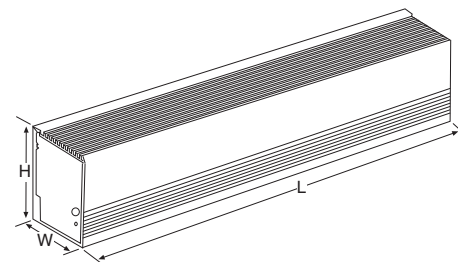
**Nota:** cuando solicite servicio, siempre dé la información que sigue:

1. Número de modelo del producto
2. Fecha de fabricación
3. Número de parte o descripción



470 Beauty Spot Rd. East  
Bennettsville, SC 29512 USA

# DBA et SHA Radiateurs de bâtiments à convection à hauteur d'appui de fenêtre



Dimensions

Type	Hauteur	Largeur	Longueur
DBA	6"	3-5/8"	28" à 15'
	152 mm	92 mm	711 mm à 4572 mm
SHA	7"	5-3/8"	28" à 12'
	178 mm	136 mm	711 mm à 3658



## Instructions d'installation, d'utilisation et d'entretien

### GÉNÉRALITÉS

Ce radiateur est conçu pour fournir des années de fonctionnement sans soucis comme source de chaleur principale ou auxiliaire, pour du chauffage de confort dans des applications résidentielles (Modèle DBA à 250 W par pied de longueur) et commerciales. L'installation ou l'utilisation de ce produit d'une quelconque manière non décrite ici annulera la garantie et pourrait entraîner des blessures, des dégâts matériels ou des dommages permanents sur le radiateur.

## INSTRUCTIONS IMPORTANTES

**LORS DE L'UTILISATION D'APPAREILS ÉLECTRIQUES, DES PRÉCAUTIONS DE BASE DOIVENT TOUJOURS ÊTRE SUIVIES AFIN DE RÉDUIRE LE RISQUE DE DÉPART D'INCENDIE, DE COMMOTION ÉLECTRIQUE ET DE BLESSURES AUX PERSONNES, INCLUANT CELLES QUI SUIVENT :**

1. Lisez toutes les instructions avant d'installer ou d'utiliser le radiateur.
2. Un radiateur comporte à l'intérieur des parties chaudes, et pouvant produire un arc ou des étincelles électriques. Ne l'utilisez pas dans des zones où de l'essence ou des liquides inflammables sont utilisés.
3. Ce radiateur est chaud quand il est en fonctionnement. Pour éviter des brûlures, ne laissez pas de peau nue toucher ses surfaces chaudes. Maintenez les matières combustibles, comme les meubles, les oreillers et la literie, les papiers, les habits et les rideaux, à distance du radiateur.
4. Pour éviter un possible départ d'incendie, n'obstruez en aucune façon les admissions et les échappements d'air.
5. N'insérez pas d'objets étrangers, et ne permettez pas qu'il en entre, dans toute ouverture d'admission ou d'évacuation, car cela peut causer une commotion électrique ou un départ d'incendie, ou endommager le radiateur.
6. Une blessure sérieuse voire mortelle peut résulter d'une commotion électrique. Assurez-vous que le circuit du secteur d'alimentation électrique arrivant au radiateur est bien débranché en amont à l'interrupteur général ou au panneau de service avant d'intervenir pour installer ou dépanner ce radiateur.
7. Les modèles DBA de 250 watts ou moins par pied de longueur, sans grillage métallique, sont approuvés UL pour une utilisation résidentielle. Les modèles SHA ne sont pas pour une utilisation résidentielle ou domestique.

**CONSERVEZ CES INSTRUCTIONS**

**Tableau A - DBA et SHA (un élément)**

N° au catalogue	longueur "L"	Watts par pied	Total en watts	Ampérage					
				120 V	208 V	240 V	277 V	347 V	600 V
02100		100	200	1.7	1.0	0.8	--	--	--
02125	28"	125	250	2.1	1.2	1.0	0.9	--	--
02150	(711 mm)	150	300	2.5	1.4	1.3	1.1	--	--
02188		188	376	3.1	1.8	1.6	1.4	--	--
02250		250	500	4.2	2.4	2.1	1.8	1.4	--
03100		100	300	2.5	1.4	1.3	1.1	--	--
03125	3'	125	375	3.1	1.8	1.6	1.4	1.1	--
03150	(914 mm)	150	450	3.8	2.2	1.9	1.6	1.3	--
03188		188	564	4.7	2.7	2.4	2.0	1.6	--
03250		250	750	6.3	3.6	3.1	2.7	2.2	--
04100		100	400	3.3	1.9	1.7	1.4	1.2	--
04125	4'	125	500	4.2	2.4	2.1	1.8	1.4	--
04150	(1219 mm)	150	600	5.0	2.9	2.5	2.2	1.7	--
04188		188	752	6.3	3.6	3.1	2.7	2.2	1.3
04250		250	1000	8.3	4.8	4.2	3.6	2.9	1.7
05100		100	500	4.2	2.4	2.1	1.8	1.4	0.8
05125	5'	125	625	5.2	3.0	2.6	2.3	1.8	1.0
05150	(1524 mm)	150	750	6.3	3.6	3.1	2.7	2.2	1.3
05188		188	940	7.8	4.5	3.9	3.4	2.7	1.6
05250		250	1250	10.4	6.0	5.2	4.5	3.6	2.1
06100		100	600	5.0	2.9	2.5	2.2	1.7	1.0
06125	6'	125	750	6.3	3.6	3.1	2.7	2.2	1.3
06150	(1829 mm)	150	900	7.5	4.3	3.8	3.2	2.6	1.5
06188		188	1128	9.4	5.4	4.7	4.1	3.3	1.9
06250		250	1500	12.5	7.2	6.3	5.4	4.3	2.5
07100		100	700	--	3.4	2.9	2.5	2.0	1.2
07125	7'	125	875	--	4.2	3.6	3.2	2.5	1.5
07150	(2134 mm)	150	1050	--	5.0	4.4	3.8	3.0	1.8
07188		188	1316	--	6.3	5.5	4.8	3.8	2.2
07250		250	1750	--	8.4	7.3	6.3	5.0	2.9
08100		100	800	--	3.8	3.3	2.9	2.3	1.3
08125	8'	125	1000	--	4.8	4.2	3.6	2.9	1.7
08150	(2438 mm)	150	1200	--	5.8	5.0	4.3	3.5	2.0
08188		188	1504	--	7.2	6.3	5.4	4.3	2.5
08250		250	2000	--	9.6	8.3	7.2	5.8	3.3
09100		100	900	--	4.3	3.8	3.2	2.6	1.5
09125	9'	125	1125	--	5.4	4.7	4.1	3.2	1.9
09150	(2743 mm)	150	1350	--	6.5	5.6	4.9	3.9	2.3
09188		188	1692	--	8.1	7.1	6.1	4.9	2.8
09250		250	2250	--	10.8	9.4	8.1	6.5	3.8
10100		100	1000	--	4.8	4.2	3.6	2.9	1.7
10125	10'	125	1250	--	6.0	5.2	4.5	3.6	2.1
10150	(3048 mm)	150	1500	--	7.2	6.3	5.4	4.3	2.5
10188		188	1880	--	9.0	7.8	6.8	5.4	3.1
10250		250	2500	--	12.0	10.4	9.0	7.2	4.2

**Tableau d'écartements :**

Pour un fonctionnement sûr et efficace, maintenez au moins les écartements suivants en permanence :

**Bas du radiateur jusqu'à la finition de sol :**

- Modèles à admission frontale : (maximum de 600 watts par pied)
- Installation sur le sol possible. Cependant pour la meilleure performance, installez plutôt le radiateur à environ 3 pouces (76 mm) au-dessus du sol.

**• Modèles à admission par le fond :**

- 100-250 watts par pied – 1-3/4 pouce (44 mm)
- 375-750 watts par pied – 3 pouces (76 mm)

**Dessus du radiateur au plafond (tous les modèles) :**

- Au minimum 36 pouces (914 mm)

**Dessus du radiateur au bas des rideaux surmontant le radiateur :**

- Distance minimale de 12 pouces (305 mm)

**SHA (deux ou trois éléments)**

N° au catalogue	longueur "L"	Watts par pied	Total en watts	Ampérage							
				208 V		240 V		277 V		347 V	
				1 Ph	3 Ph	1 Ph	3 Ph	1 Ph	3 Ph	1 Ph	3 Ph
02375		375	750	3.6	-	3.1	-	2.7	-	-	-
02500	28"	500	1000	4.8	-	4.2	-	3.6	-	2.9	-
02600	(711 mm)	600	1200	5.8	3.3	5.0	2.9	4.3	-	-	-
02750*		750	1500	7.2	4.2	6.3	3.6	5.4	4.3	-	-
03375		375	1125	5.4	-	4.7	-	4.1	-	-	-
03500	3'	500	1500	7.2	-	6.3	-	5.4	4.3	-	-
03600	(914 mm)	600	1800	8.7	5.0	7.5	4.3	6.5	-	-	-
03750*		750	2250	10.8	6.3	9.4	5.4	8.1	6.5	-	-
04375		375	1500	7.2	-	6.3	-	5.4	4.3	-	-
04500	4'	500	2000	9.6	-	8.3	-	7.2	5.8	3.3	-
04600	(1219 mm)	600	2400	11.5	6.7	10.0	5.8	8.7	6.9	-	-
04750*		750	3000	14.4	8.3	12.5	7.2	10.8	8.6	5.0	2.9
05375		375	1875	9.0	-	7.8	-	6.8	5.4	3.1	-
05500	5'	500	2500	12.0	-	10.4	-	9.0	7.2	4.2	-
05600	(1524 mm)	600	3000	14.4	8.3	12.5	7.2	10.8	8.6	5.0	2.9
05750*		750	3750	18.0	10.4	15.6	9.0	13.5	10.8	6.3	3.6
06375		375	2250	10.8	-	9.4	-	8.1	6.5	3.8	-
06500	6'	500	3000	14.4	-	12.5	-	10.8	8.6	5.0	-
06600	(1829 mm)	600	3600	17.3	10.0	15.0	8.7	13.0	10.4	6.0	3.5
06750*		750	4500	21.6	12.5	18.8	10.8	16.2	13.0	7.5	4.3
07375		375	2625	12.6	-	10.9	-	9.5	7.6	4.4	-
07500	7'	500	3500	16.8	-	14.6	-	12.6	10.1	5.8	-
07600	(2134 mm)	600	4200	20.2	11.7	17.5	10.1	15.2	12.1	7.0	4.0
07750*		750	5250	25.2	14.6	21.9	12.6	19.0	15.1	8.8	5.1
08375		375	3000	14.4	-	12.5	-	10.8	8.6	5.0	-
08500	8'	500	4000	19.2	-	16.7	-	14.4	11.5	6.7	-
08600	(2438 mm)	600	4800	23.1	13.3	20.0	11.6	17.3	13.8	8.0	4.6
08750*		750	6000	28.8	16.7	25.0	14.5	21.7	17.3	10.0	5.8
09375		375	3375	16.2	-	14.1	-	12.2	9.7	5.6	-
09500	9'	500	4500	21.6	-	18.8	-	16.2	13.0	7.5	-
09600	(2743 mm)	600	5400	26.0	15.0	22.5	13.0	19.5	15.6	9.0	5.2
09750*		750	6750	32.5	18.8	28.1	16.3	24.4	19.5	11.3	6.5
10375		375	3750	18.0	-	15.6	-	13.5	10.8	6.3	-
10500	10'	500	5000	24.0	-	20.8	-	18.1	14.4	8.3	-
10600	(3048 mm)	600	6000	28.8	16.7	25.0	14.5	21.7	17.3	10.0	5.8
10750*		750	7500	36.1	20.8	31.3	18.1	27.1	21.6	12.5	7.2

\*Admission par le fond uniquement

**REMARQUE IMPORTANTE :** Certains tissus et matériaux en vinyle (comme des stores en vinyle) peuvent être endommagés par l'air réchauffé venant du radiateur, et ne doivent être installés au-dessus de lui.

**De l'avant du radiateur aux rideaux sur toute la longueur devant lui:**

- Distance minimale entre le bas des rideaux et le sol – 2-½ pouces (64 mm)
- Distance minimale entre le haut des rideaux et le plafond – 1/2 pouce (13 mm)
- Distance minimale entre l'avant du radiateur et le pli le plus proche des rideaux – 2 pouces (51 mm)

**Dessus du radiateur au bas de l'appui de fenêtre :**

- Distance minimale de 12 pouces (305 mm)

**Tableau B. Calibre du câblage installé sur site**

Calibre de fil cuivre résistant à 90 °C	Nombre max. de fils installés dans le chemin de câble	Courant maximal admis		
		Jusqu'à 3 conducteurs	4 à 6 conducteurs	7 à 9 conducteurs
No. 12 AWG	9	11.5 ampères	9.3 ampères	8.1 ampères
No. 10 AWG	8	17.4 ampères	14.0 ampères	12.1 ampères
No. 8 AWG	4	24.0 ampères	21.0 ampères	-

**Tableau C. Longueur maximale de tronçon dans le radiateur**

Watts/ pied de radiateur	Longueur max. permise de radiateur en pieds (mètres)										
	120 V		208 V		240 V		600 V				
	1 Ph	3 Ph	1 Ph	3 Ph	1 Ph	3 Ph	1 Ph	3 Ph			
100	54 (16)	93 (28)	-	-	108 (33)	-	-	124 (38)	156 (47)	270 (82)	467 (142)
125	43 (13)	74 (23)	-	-	86 (26)	-	-	99 (30)	125 (38)	216 (66)	373 (113)
150	36 (11)	62 (19)	-	-	72 (22)	-	-	83 (25)	104 (32)	180 (55)	311 (95)
188	28 (9)	49 (15)	-	-	57 (17)	-	-	66 (20)	83 (25)	146 (45)	248 (76)
250	21 (6)	37 (11)	-	-	43 (13)	-	-	49 (15)	62 (19)	108 (33)	186 (57)
375	-	34 (7)	-	-	28 (9)	-	-	33 (10)	42 (13)	72 (22)	125 (38)
500	-	18 (5)	-	-	21 (6)	-	-	24 (7)	31 (9)	54 (16)	93 (28)
600	-	15 (5)	-	-	27 (8)	-	-	20 (6)	26 (8)	45 (14)	78 (24)
750	-	12 (4)	-	-	21 (6)	-	-	16 (5)	21 (6)	36 (11)	62 (19)

## INSTRUCTIONS D'INSTALLATION

### AVERTISSEMENT

#### POUR RÉDUIRE LE RISQUE DE DÉPART D'INCENDIE, DE COM-MOTION ÉLECTRIQUE ET DE BLESSURES AUX PERSONNES, OBSERVEZ LES CONSIGNES SUIVANTES :

1. Une blessure sérieuse voire mortelle peut résulter d'une commotion électrique. Assurez-vous que le circuit du secteur d'alimentation électrique arrivant au radiateur est bien débranché en amont à l'interrupteur général ou au panneau de service avant d'installer ce radiateur.
2. Les procédures de câblage et les connexions doivent être en conformité avec la norme électrique américaine (NEC) et les normes locales. Référez-vous au schéma de câblage du radiateur en Figure 7. Assurez-vous que toutes les connexions électriques sont bien serrées pour éviter une possible surchauffe. N'utilisez que des fils d'alimentation en cuivre.
3. Vérifiez que la tension du secteur correspond à la tension nominale telle qu'imprimée sur la plaque signalétique du radiateur.

#### ATTENTION – Ne branchez jamais un radiateur sur une source de tension supérieure à celle de sa plaque signalétique, car cela l'endommagerait et pourrait causer un départ d'incendie.

4. N'installez pas le radiateur contre des surfaces inflammables de panneaux de fibre en cellulose de faible densité, contre ou sous des revêtements muraux en vinyle, ou sous tous les matériaux pouvant être endommagés par la chaleur, comme des stores en vinyle ou en plastique, des rideaux, etc.
5. N'utilisez pas le radiateur sous une prise d'alimentation secteur.
6. ATTENTION – Le radiateur fonctionne à des températures élevées. Maintenez les cordons électriques (dont les câbles du téléphone et de l'ordinateur), les tentures et autres parties de l'ameublement à distance du radiateur. Pour un fonctionnement sûr et efficace, nous recommandons de garder 6 pouces (152 mm) d'écartement au-dessus et devant le radiateur en permanence. Consultez le tableau d'écartements pour les exigences en distance minimale.
7. Pour réduire le risque de départ d'incendie, n'entreposez pas et n'utilisez pas d'essence ou d'autres produits inflammables sous forme de liquide ou de vapeurs à proximité du radiateur.
8. N'installez pas le radiateur renversé ou dans toute autre position autre que celle montrée dans ce manuel.
9. N'encastrez pas le radiateur dans un mur, ou ne l'installez pas dans un quelconque type d'enceinte, car cela provoquerait sa surchauffe et pourrait créer un danger.
10. Au montage du radiateur, faites attention pour percer les trous de montage et en fixant le radiateur sur la structure du bâtiment, pour éviter d'endommager des composants internes. Assurez-vous de desserrer les vis de fixation d'un demi tour pour permettre l'expansion et la contraction.
11. N'enlevez pas et ne contournez pas le(s) contrôle(s) de limite de sécurité (–protections thermiques) car cela pourrait faire du radiateur un risque de départ d'incendie – consultez le schéma de câblage du radiateur fourni avec lui.
12. Les fils installés en usine dans le chemin de câbles sont utilisés pour connecter les contrôles intégrés. Limitez le courant maximal à 45 ampères. Reportez-vous aux instructions et à la spécification de courant fournies avec l'appareil.
13. Les radiateurs qui ne sont pas installés bout-à-bout doivent avoir des capuchons d'extrémité placés pour couvrir leurs extrémités exposées.
14. Quand un relais de transformateur RSA est utilisé avec ce radiateur, tout le câblage dans le compartiment ou l'accessoire est installé doit pouvoir supporter au moins 90 °C.
15. Ne laissez pas placer d'objets sur le dessus du radiateur, ils pourraient être endommagés et créer un risque de départ d'incendie.
16. Pour éviter d'endommager le radiateur, n'utilisez pas de tournevis pour séparer le couvercle avant du carter arrière. N'utilisez qu'un couteau à mastiquer comme montré sur la Figure 1.
17. Avant la mise sous tension, assurez-vous que le couvercle frontal est bien installé sur le carter arrière, sur toute la longueur du radiateur – Voyez la Figure 4. Ne faites pas fonctionner un radiateur sans que son couvercle frontal soit en place.

## Câblage de préparation

1. Tirez une branche de circuit secteur, avec la bonne tension et une taille de fils correcte, jusqu'à l'emplacement du boîtier de raccordement de gauche ou de droite, comme indiqué sur le schéma de câblage du radiateur. Les radiateurs de base sont précâblés et peuvent se connecter au secteur d'un côté ou de l'autre. Les radiateurs avec commandes sont câblés à l'avance pour un raccordement au circuit d'alimentation d'un seul côté (reportez-vous au schéma de câblage du radiateur). Cependant un radiateur peut être câblé depuis l'extrémité opposée en tirant des fils au travers sans son chemin de câble. Voyez la Figure 2 pour l'emplacement des pastilles à enfoncer.
2. S'il est nécessaire de faire traverser des fils dans le radiateur, utilisez le Tableau B pour déterminer le calibre du câblage installé sur site.
3. Les fils installés en usine dans le chemin de câble du radiateur peut supporter jusqu'à 45 ampères. Référez-vous au Tableau C pour la longueur maximale du tronçon dans les radiateurs quand des radiateurs sont branchés en parallèle.

**Interrupteur de coupure :** 20 ampères sous 120-277 V CA

**Thermostat:** 25 ampères sous 120-240 V CA  
22 ampères sous 277 V CA

**Relai de transformateur :** 25 ampères sous 120-240 V CA  
22 ampères sous 277 V CA  
17 ampères sous 347 V CA  
12 ampères sous 600 V CA

**Relai d'alimentation :** 25 ampères sous 120-277 V CA

**Commutateur pneumatique/électrique** 25 ampères sous 120-277 V CA

**REMARQUE:** En cas de mélange des puissances, calculez les ampères consommés. Ne dépassez pas 45 ampères.

4. Du câblage standard pour 90 °C doit être utilisé dans les boîtiers de raccordement, les chemins de câble, les sections vides, les sections de remplissage et les sections d'angle.

## Disposition de la pièce

Référez-vous aux plans de chauffage pour l'arrangement exact des radiateurs dans la pièce (avec ou sans thermostat et/ou relais et/ou interrupteurs et accessoires).

Vérifiez les dimensions de section des radiateurs et la longueur de mur additionnelle nécessaire pour les sections vides ou de remplissage avant de commencer une installation de type mur-à-mur. Assurez-vous que tous les radiateurs et accessoires nécessaires sont à portée de main et que leur finition est correcte.

## Hauteur de montage

**REMARQUE:** Un revêtement de sol d'épaisseur jusqu'à 3/4", comme une moquette, des carreaux, du linoléum, etc. peut s'installer autour et en-dessous du radiateur sans effet néfaste sur sa performance.

À la bonne hauteur, tracez une ligne au crayon sur le mur, horizontale et/ou parallèle avec l'appui de fenêtre. Les hauteurs minimales de montage au-dessus du sol doivent être celles-ci :

## Installation d'une unité unique

**REMARQUE:** Pour faciliter l'installation, il est important que la séquence des opérations indiquées ci-après soit suivie dans l'ordre. Pour les radiateurs avec plus d'un module de chauffe, ces modules peuvent être câblés en parallèle, ou chacun peut recevoir son alimentation d'un circuit séparé. Consultez la plaque signalétique du radiateur pour la charge de courant de chaque module de chauffe.

1. Sortez l'unité de son carton et jetez les cales extérieures et l'entourage en plastique.
2. Enlevez le couvercle frontal en couchant le radiateur sur le dos et en insérant un couteau à mastiquer (ou un autre outil à lame large, d'au moins 1" ou 25 mm, à environ 6" ou 152 mm de l'extrémité du radiateur, et en écartant vers le haut comme montré en Figure 1. Cela va déclencher l'ouverture du verrouillage. Recommençez si nécessaire en vous déplaçant le long du radiateur, jusqu'au désengagement complet du couvercle hors du carter arrière du radiateur.

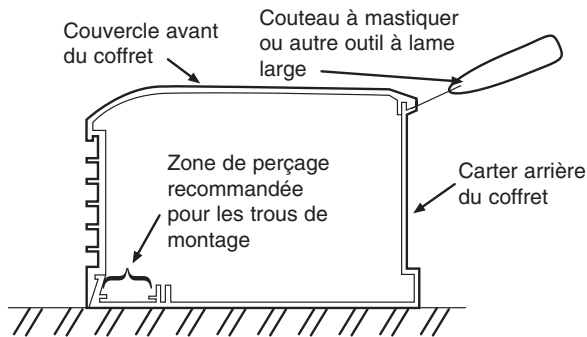


Fig. 1

- Ouvrez les ouvertures à enfoncer pour électricité appropriées de l'un des boîtiers de raccordement. Voyez la Figure 2 pour l'emplacement de ces ouvertures à enfoncer. Si le radiateur est monté sur socle, consultez les instructions d'installation du kit de socle.
- Percez les trous de montage de la taille voulue dans le carter du radiateur (Voyez la Figure 1 pour l'emplacement recommandé des trous de montage).
- Positionnez le carter du radiateur contre la cloison pour vérifier sa planéité. Ne forcez pas le radiateur contre une surface murale inégale. Si la cloison est irrégulière, utilisez des cales pour garder le carter de radiateur droit.

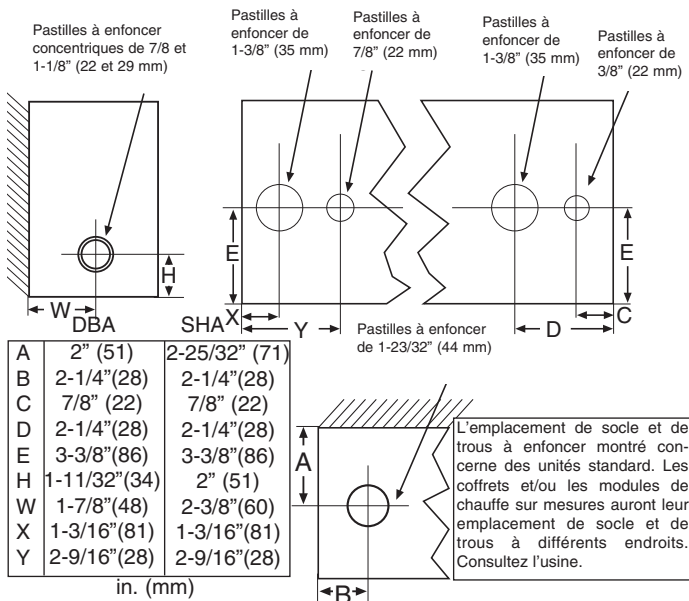


Fig. 2

- Amenez une branche de circuit d'alimentation secteur au boîtier de raccordement au travers du trou enfoncé choisi.
- Montez le radiateur sur la cloison en utilisant des vis, des boulons ou des ancrages (fournis par l'installateur) en fonction du type de structure murale.
- Serrez bien les vis de fixation, puis dévissez-les d'un demi-tour pour permettre au radiateur de se dilater et de se rétracter.

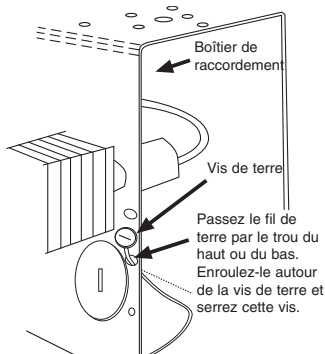


Fig. 3

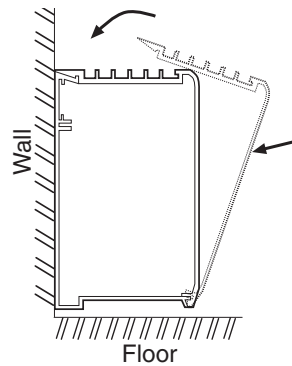


Fig. 4

- Réalisez les raccordements électriques en suivant le schéma de câblage fixé au radiateur. Reliez le radiateur à la terre en utilisant la vis de terre fournie. Voyez la Figure 3.
- Remettez en place le couvercle frontal en mettant le bord avant inférieur du couvercle frontal sur le bord frontal inférieur du carter arrière et en poussant le couvercle tout droit en arrière pour verrouiller le tout. Voir la Figure 4.

### Installations de plusieurs unités de mur-à-mur

**REMARQUE:** Pour faciliter l'installation, il est important que la séquence des opérations indiquées ci-après soit suivie dans l'ordre.

- Répétez les étapes 1 et 2 de l'installation d'une unité unique.
- Référez-vous au schéma de câblage pour l'entrée de l'alimentation électrique et ouvrez l'ouverture à défoncer appropriée (Figure 2) sur le radiateur sur lequel les raccordements électriques d'arrivée seront effectués. L'alimentation secteur ne peut être amenée qu'à l'extrémité d'un seul radiateur, les autres peuvent être connectés en parallèle en utilisant le chemin de câbles. Utilisez le Tableau B pour dimensionner le câblage installé sur le site dans le chemin de câble, ou utilisez le Tableau C pour déterminer la longueur maximale ou l'ensemble de radiateurs possible en utilisant le câblage installé en usine dans le chemin de câble de radiateur. Si le radiateur est monté sur socle, consultez les instructions d'installation du kit de socle.
- Si des sections de remplissage, des angles rentrants ou saillants, des kits de jonction ou des capuchons d'extrémité doivent être utilisés, consultez les instructions d'installation de ces accessoires.

**REMARQUE:** Si un radiateur comporte un interrupteur de coupure et/ou un thermostat, et doit recevoir une section de remplissage à son extrémité de gauche, cette section ne doit pas couvrir l'accès à ces commandes.

- Si l'ensemble des radiateurs comprend un angle rentrant ou saillant, montez d'abord cet angle sur la cloison (voyez les instructions d'installation dans l'emballage de cet angle) et montez les radiateurs ensuite.
- Percez les trous de montage de la dimension requise dans tous les carters de radiateurs (Voyez la Figure 1 pour l'emplacement recommandé des trous de montage).
- Positionnez le carter du radiateur contre la cloison pour vérifier sa planéité. Ne forcez pas le radiateur contre une surface murale inégale. Si la cloison est irrégulière, utilisez des cales pour garder le carter de radiateur droit.
- Amenez une branche de circuit d'alimentation secteur au boîtier de raccordement au travers du trou enfoncé choisi.
- Montez le radiateur sur la cloison en utilisant des vis, des boulons ou des ancrages (fournis par l'installateur) en fonction du type de structure murale. Des taquets d'alignement peuvent être insérés dans les carters arrière jointifs pour assurer leur alignement régulier. Voyez la Figure 5 pour les détails.
- En suivant le schéma de câblage fixé sur le radiateur, effectuez les raccordements électriques. Référez-vous à la Figure 7 pour le branchement en parallèle avec d'autres radiateurs. La mise à la terre des autres radiateurs se fait en branchant un cavalier (non fourni) entre les deux radiateurs adjacents.
- Remettez en place les couvercles frontaux en suivant l'étape 10 de l'installation d'unité unique (Voir la Figure 4).



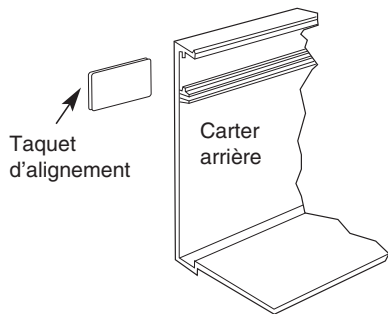


Fig. 5

### Sections vides et de contrôle

1. S'il y a des sections vides, installez de la même manière que les radiateurs.
2. S'il y a des sections de contrôle, installez de la même manière que les radiateurs. Référez-vous au schéma de câblage sur les sections de contrôle pour brancher les fils aux radiateurs.

### INSTRUCTIONS D'UTILISATION

1. Une fois que les radiateurs sont complètement assemblés et installés, réglez le thermostat et les contrôles de fonctionnement pour une absence de chauffe (NO HEAT) et mettez sous tension le(s) circuit(s) de radiateurs. Vérifiez que les radiateurs ne génèrent pas de chaleur.
2. Réglez le thermostat ou les contrôles de fonctionnement pour causer une demande de chauffe. Laissez le(s) radiateur(s) fonctionner quelques minutes et vérifiez qu'ils génèrent bien de la chaleur.

**Remarque:** Au démarrage initial, les radiateurs peuvent dégager une odeur inhabituelle et éventuellement un peu de fumée venant de résidus à la production sur l'élément de chauffe. Laissez fonctionner les radiateurs environ 30 minutes pour dissiper tous ces résidus. La ventilation de la zone peut être souhaitable.

3. Pour régler le thermostat ou les contrôles de fonctionnement afin de maintenir le niveau de confort voulu, laissez les radiateurs fonctionner jusqu'à ce que la température ambiante de la pièce atteigne le niveau visé. Le thermostat ou le contrôle de fonctionnement peuvent alors être ajustés de manière à maintenir cette température.

**Remarque:** Quand un thermostat intégré et/ou un interrupteur de coupure sont fournis, l'accès à ces contrôles se fera par les ouvertures dans la grille à une extrémité du radiateur. Pour tourner l'axe du thermostat il faudra un petit tournevis à lame plate. L'interrupteur de coupure est de type à bascule qui peut être actionné avec le même tournevis ou un autre outil au travers de l'ouverture.

4. Si un thermostat intégré est fourni, une fois que la pièce a atteint le niveau de température de confort voulu, tournez l'axe du thermostat en sens antihoraire jusqu'à l'émission d'un déclic. Cela devrait permettre au thermostat d'activer/désactiver le radiateur afin de maintenir cette température. Une rotation en sens horaire permettra au radiateur d'être activé PLUS LONGTEMPS et de maintenir une température ambiante dans la pièce PLUS ÉLEVÉE. Et bien sûr une rotation en sens inverse va permettre au radiateur de rester sur une demande de MOINS de chauffe et cela maintiendra une température ambiante PLUS BASSE. Si un thermostat ou d'autres types de contrôle sont fournis à distance, référez-vous aux instructions fournies avec ces contrôles pour un fonctionnement correct.

**REMARQUE IMPORTANTE :** Ces radiateurs sont fournis avec un limiteur de sécurité intégré (protecteur thermique – voyez la Figure 7) pour couper automatiquement le radiateur s'il est obstrué ou entre en surchauffe suite à une condition anormale; En fonctionnement normal, les radiateurs ne doivent pas subir de coupure par ce dispositif de sécurité. Si cela se produisait, vérifiez l'installation du radiateur pour vous assurer que des écartements adéquats sont respectés et que la libre circulation de l'air autour du radiateur n'est pas entravée. Si le radiateur continue d'avoir des coupures par le dispositif de sécurité, cessez de l'utiliser avant qu'il ait été inspecté et/ou réparé par un électricien qualifié.

### INSTRUCTIONS D'ENTRETIEN

Votre radiateur vous fournira des années de bon service et de confort avec juste un minimum de soins. L'utilisateur peut effectuer lui-même un nettoyage périodique de l'extérieur du coffret, mais toutes les autres interventions de nettoyage de l'intérieur et de service doivent être faites par une personne de service qualifiée.

**Remarque :** Pour un fonctionnement efficace et sûr, le flux d'air ne doit pas être obstrué dans le radiateur et aux alentours. Comme l'air se déplace au travers du radiateur par convection, de la poussière et de la peluche peuvent s'accumuler dans le radiateur et autour de l'élément de chauffe qui a besoin d'être nettoyé périodiquement. Il est recommandé que votre radiateur soit nettoyé et inspecté pour des dommages éventuels au moins une fois par an (ou plus souvent selon le besoin).

### ⚠ AVERTISSEMENT ⚠

1. Une blessure sérieuse voire mortelle peut résulter d'une commotion électrique. Assurez-vous que le(s) circuit(s) du secteur d'alimentation électrique arrivant au radiateur est/sont bien débranché(s) en amont à l'interrupteur général ou au panneau de service avant d'intervenir sur ce radiateur. Laissez le radiateur refroidir avant de le nettoyer pour éviter de possibles brûlures.

**Remarque:** Il peut entrer plus d'une source d'alimentation électrique dans le radiateur. Assurez-vous que toute l'alimentation secteur du radiateur est coupée avant une intervention de nettoyage ou de service.

2. Faites attention en nettoyant les ailettes de l'élément de chauffe pour éviter de les endommager. Retenez aussi que les ailettes sont tranchantes et peuvent vous couper, évitez donc tout contact.

1. L'extérieur du radiateur peut être nettoyé avec un chiffon humide. Mais n'utilisez pas de nettoyants puissants, d'agents de polissage ou de cirage, car ils pourraient endommager la surface ou laisser un résidu qui la décolorerait.
2. Le nettoyage de l'intérieur du radiateur nécessite d'enlever son couvercle frontal. Pour enlever le couvercle frontal, désengagez d'abord le verrouillage par emboîtement du haut de l'arrière. Utilisez un outil de forme en L, comme une clé Allen, pour soulever sous les lames entre la rangée arrière de fentes (Voyez la Figure 6). Commencez à n'importe quelle extrémité et levez le couvercle frontal jusqu'à ce que la tension dessus le sépare du coffret. Continuez de vous déplacer sur la longueur du radiateur jusqu'à ce que le couvercle soit retiré.

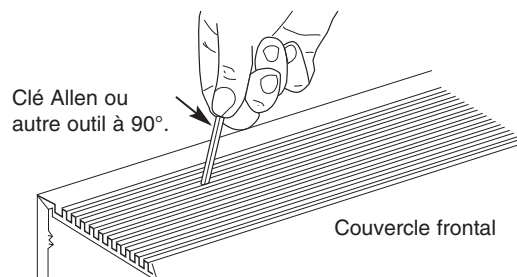


Fig. 6

3. Une fois le couvercle frontal enlevé, un aspirateur ou de l'air comprimé peuvent être utilisés pour éliminer la poussière et la peluche de l'intérieur du radiateur, et autour de l'élément de chauffe. Les ailettes sont tranchantes et peuvent causer des coupures, évitez donc le contact avec les mains. Faites attention de ne pas abîmer les ailettes en aluminium.
4. Dans le cadre d'un entretien normal, contrôlez le reste du radiateur pour de possibles dommages ou problèmes d'entretien, en profitant du fait que le couvercle est ôté, et effectuez les réparations nécessaires.
5. Remettez en place le couvercle frontal comme montré en figure 4, en vous assurant qu'il est bien verrouillé en place sur toute la longueur du radiateur. Rétablissez l'alimentation du radiateur et vérifiez son bon fonctionnement.

## Câblage type pour plusieurs radiateurs (sans commandes)

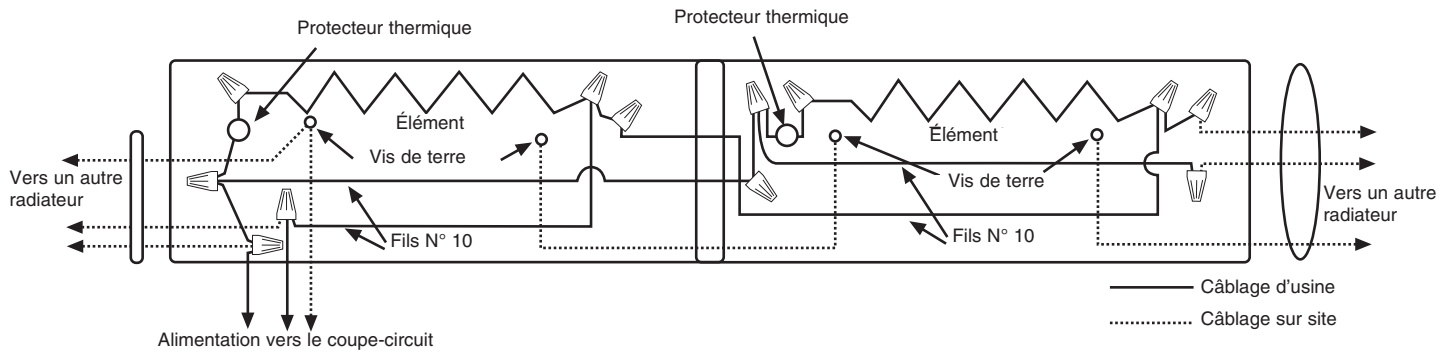


Fig. 7

### GARANTIE LIMITÉE

Tous les produits fabriqués par Marley Engineered Products sont garantis contre les défauts de fabrication et de matériau pendant une année à compter de leur date d'installation, sauf les éléments chauffants, lesquels sont garantis contre les défauts de fabrication et de matériau pendant cinq ans à compter de la date d'installation. Cette garantie ne couvre pas les dommages causés par un accident, une mauvaise utilisation ou une altération et ne s'applique pas si la tension d'alimentation dépasse de 5% ou plus celle de la plaque signalétique, si l'équipement est mal installé, mal câblé ou mal entretenu, contrairement aux instructions d'installation et d'utilisation du produit. Toutes les réclamations sous garantie doivent être accompagnées d'une preuve de date d'installation.

Le client sera responsable de tous les coûts encourus pour enlever et réinstaller le produit, ce qui inclut les frais de main d'œuvre et les frais de port encourus pour retourner le produit au centre de réparation de la société Marley Engineered Products. Sous réserve des restrictions figurant dans cette garantie, tout appareil défectueux doit être retourné au centre de réparation agréé par Marley le plus près ou au centre de réparation de la société Marley Engineered Products. Il sera ensuite gratuitement réparé ou remplacé, à notre discrétion, et les frais de port de retour seront pris en charge par Marley. Il est entendu que cette réparation ou ce remplacement constitue le seul et unique recours disponible auprès de la société Marley Engineered Products.

LA GARANTIE CI-DESSUS REMPLACE ET PRÉVAUT SUR TOUTE AUTRE GARANTIE EXPRESSE OU IMPLICITE ET TOUTE GARANTIE IMPLICITE DE COMMERCIALISATION OU DE CONVENANCE À UN USAGE QUELCONQUE ALLANT AU-DELÀ DE LA GARANTIE EXPRESSE CI-DESSUS EST PAR LES PRÉSENTES RÉFUTÉE ET EXCLUE DE CETTE ENTENTE. LA SOCIÉTÉ MARLEY ENGINEERED PRODUCTS NE PEUT SOUS AUCUNE CIRCONSTANCE ÊTRE RESPONSIBLE DE QUELQUE DOMMAGE ACCESSOIRE ASSOCIÉ À CE PRODUIT, SANS QU'IL SOIT POSSIBLE D'INVOKER UNE NÉGLIGENCE, UN DÉLIT CIVIL, UNE RESPONSABILITÉ STRICTE OU UNE OBLIGATION CONTRACTUELLE.

Puisque certaines juridictions interdisent d'exclure ou de limiter les dommages indirects et accessoires, il est possible que les exclusions et restrictions ci-dessus ne s'appliquent pas à vous. Cette garantie vous accorde des droits juridiques spécifiques, mais il est possible que vous ayez également d'autres droits selon votre lieu de résidence.

Pour connaître l'adresse du centre de réparation agréé le plus près, contactez la société Marley Engineered Products à Bennettsville (Caroline du Sud) au 1-800-642-4328. Les produits retournés à l'usine doivent être accompagnés d'un numéro d'autorisation de retour et d'une étiquette d'identification de service, tous deux disponibles auprès de la société Marley Engineered Products. Lorsque vous demandez une autorisation de retour, indiquez tous les numéros de catalogue indiqués sur les produits.

#### POUR OBTENIR UNE RÉPARATION OU DES PIÈCES SOUS GARANTIE, DE MÊME QUE DES INFORMATIONS GÉNÉRALES

- |  |  |
|--|--|
| 1. Réparations et pièces sous garantie     | 1-800-642-4328   |
| 2. Achat de pièces de rechange             | 1-800-654-3545   |
| 3. Informations générales sur les produits | <a href="http://www.marleymep.com">www.marleymep.com</a> |

**Remarque :** Lorsque vous demandez une intervention, ayez toujours en main les informations suivantes :

1. Numéro de modèle du produit
2. Date de fabrication
3. Numéro de pièce ou description

Numéro de pièce 5200-2052-005

ECR38668

12/10



470 Beauty Spot Rd. East  
Bennettsville, SC 29512 USA