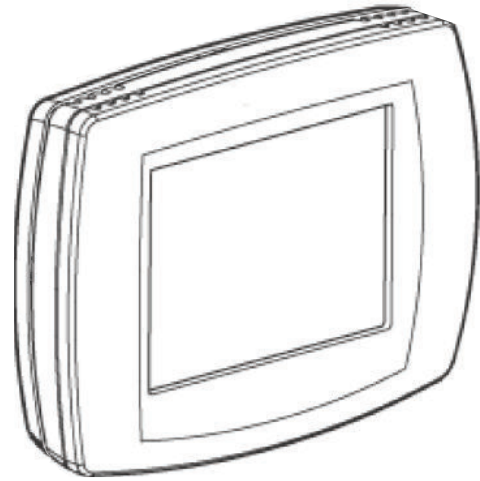




Marley[®]
Engineered Products



Smart Series Plus

Installation and Operations Guide

IMPORTANT SAFETY INFORMATION AND INSTALLATION PRECAUTIONS

Read all instructions

Failure to follow all instructions may result in equipment damage or a hazardous condition. Read all instructions carefully before installing equipment.

Local codes and practices

Always install equipment in accordance with the National Electric Code and in a manner acceptable to the local authority having jurisdiction.

Electrostatic sensitivity

This product and its components may be susceptible to electrostatic discharge (ESD). Use appropriate ESD grounding techniques while handling the product. When possible, always handle the product by its non-electrical components.

High voltage safety test

Experienced electricians, at first contact, always assume that hazardous voltages may exist in any wiring system. A safety check using a known, reliable voltage measurement or detection device should be made immediately before starting work and when work resumes.

Lightning and high-voltage danger

Most electrical injuries involving low-voltage wiring result from sudden, unexpected high voltages on normally low-voltage wiring. Low-voltage wiring can carry hazardous high voltages under unsafe conditions. Never install or connect wiring or equipment during electrical storms. Improperly protected wiring can carry a fatal lightning surge for many miles. All outdoor wiring must be equipped with properly grounded and listed signal circuit protectors, which must be installed in compliance with local, applicable codes. Never install wiring or equipment while standing in water.

Wiring and equipment separations

All wiring and controllers must be installed to minimize the possibility of accidental contact with other potentially hazardous and disruptive power and lighting wiring. Never place 24VAC or communications wiring near other bare power wires, lightning rods, antennas, transformers, or steam or hot water pipes. Never place wire in any conduit, box, channel, duct or other enclosure containing power or lighting circuits of any type. Always provide adequate separation of communications wiring and other electrical wiring according to code. Keep wiring and controllers at least six feet from large inductive loads (power distribution panels, lighting ballasts, motors, etc.). Failure to follow these guidelines can introduce electrical interference and cause the system to operate erratically.



WARNING



This equipment has been tested and found to comply with the limits for a class A digital device, pursuant to part 15 of the FCC rules. These limits are designed to provide reasonable protection against harmful interference when the equipment is operated in a commercial environment. This equipment generates, uses, and can radiate radio frequency energy and, if not installed and used in accordance with the instruction manual, may cause harmful interference to radio communications. Operation of this equipment in a residential area is likely to cause harmful interference, in which case the user will be required to correct the interference at his own expense.

SAVE THESE INSTRUCTIONS

ABOUT THIS DOCUMENT AND RELATED PUBLICATIONS

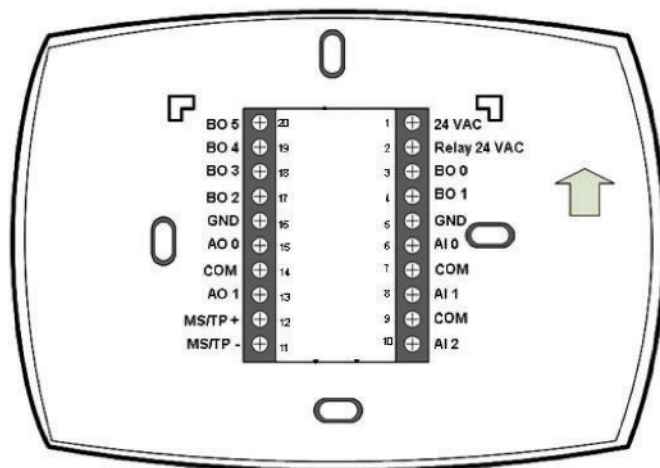
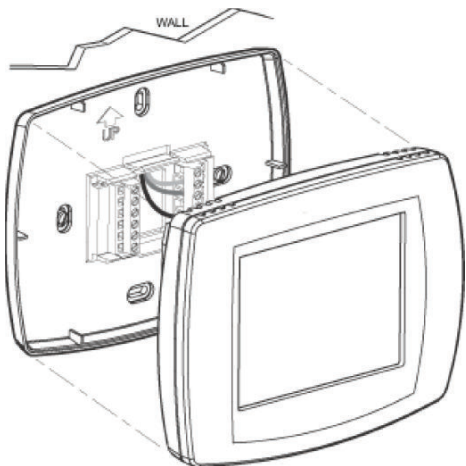
This document provides information about installing and wiring a Smart Series Plus to equipment, power, and communication channels. It also shows how to operate the user interface.

IMPORTANT: Always install equipment in accordance with the National Electric Code and in a manner acceptable to the local authority having jurisdiction (AHJ). No guidelines, instructions, installation practices, or other information presented in this guide may be interpreted to supersede or modify the local codes and practices of the AHJ.

Inspecting the Smart Series Plus Wiring

To dismount the Smart Series Plus faceplate, locate the thumb recess centered on the top and bottom of the thermostat and pull forward. The Smart Series Plus and its electronics will separate from the wall plate as shown below.

Inspect the wiring to verify the wires are all attached **securely** and none have become loose or disconnected.



Wall Plate Contact Number	Wall Plate Contact Label	Terminal Block TB2 Connection (for CABINET UNIT HEATERS)	Control Terminal Board Connection (for MUH/HUHAA HEATERS)	Function
1	24 VAC	C1	R	Power for Smart Series Plus Controller electronics
2	Relay 24 VAC	None	None	Power for Smart Series Plus Controller Output Relays
3	BO 0	T3	G	Fan Delay Relay— NOTE: Pin G will not operate the motor on MUH/HUHAA, without a 24V Fan Relay accessory (sold separately).
4	BO 1	None	None	
5	GND	C4	C	Power return, or “common,” for Smart Series Plus Controller electronics
6	AI 0	None	None	
7	COM	None	None	
8	AI 1	None	None	
9	COM	None	None	
10	AI 2	None	None	
11	MS/TP-	T6	None	BMS (Neg)
12	MS/TP+	T5	None	BMS (Pos)
13	AO 1	None	None	
14	COM	None	None	
15	AO 0	None	None	
16	GND	None	None	
17	BO 2	None	None	
18	BO 3	T1	W1	1st Heat Stage
19	BO 4	T2	W2	2nd Heat Stage
20	BO 5	None	None	

Table 1: Back Plate Wiring

To reattach align the wall plate terminal blocks with the pins on the back of the Smart Series Plus and push the faceplate

straight onto the wall plate.

Wiring Diagrams

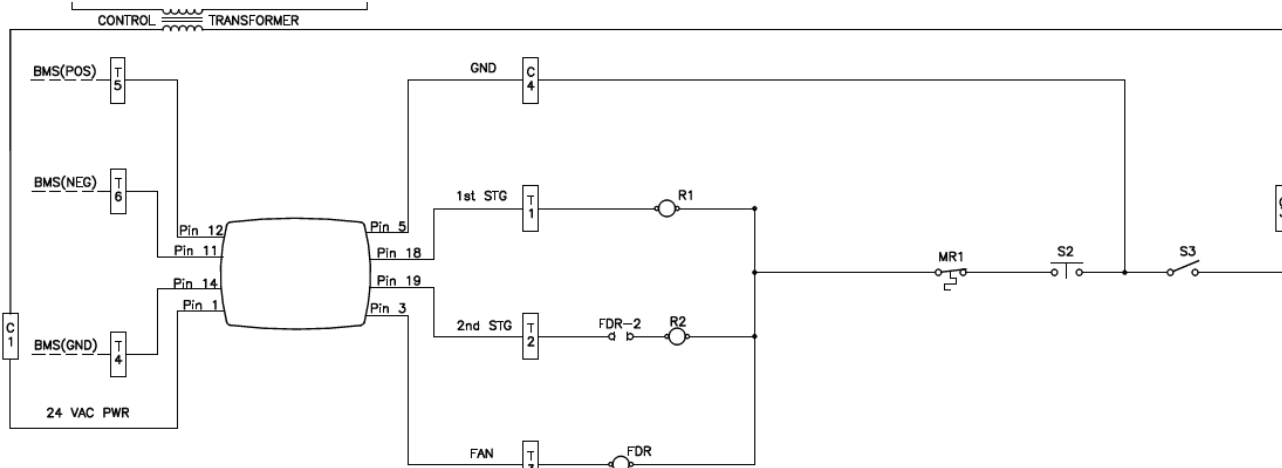


Figure 1: Cabinet Unit Heater Wiring

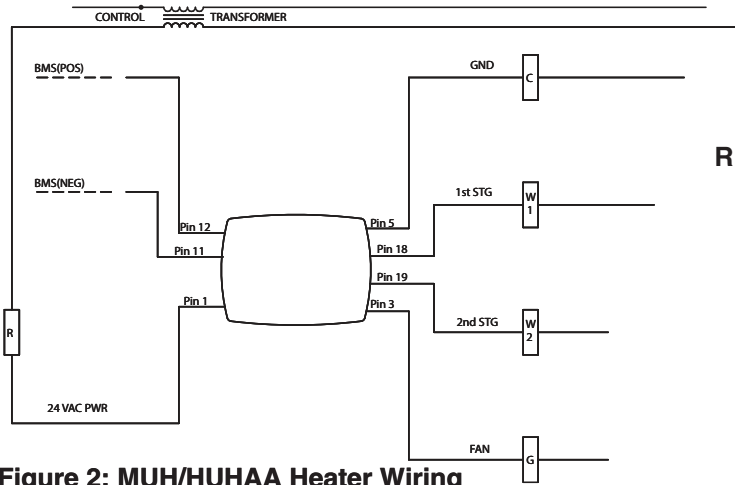


Figure 2: MUH/HUHAA Heater Wiring

REMINDER: Disconnect the factory-installed internal thermostat on MUH/HUHAA, before wiring the Smart Series Plus according to Figure 2.

NOTE: Pin G will **not** operate the motor on MUH/HUHAA, without a 24V Fan Relay accessory (sold separately).

MS/TP LAN Wiring

The Smart Series Plus communicates on the site-wide BACnet system over a twisted-pair MS/TP LAN, which uses the EIA-485 signaling standard. Smart Series Plus's

are master devices on the MS/TP LAN. Each Smart Series Plus employs a high-quality EIA-485 transceiver and exerts ¼ unit load on the MS/TPLAN.

Table 2: MS/TP LAN Facts

Transmission speed	9.6, 19.2, 38.4, 76.8Kbps (configured at global controller).
Layout	Bus.
Cabling	BACnet specifies the following. Shielded, twisted-pair cabling with characteristic impedance between 100 and 130W. Distributed capacitance between conductors must be less than 30 pF/foot (100 pF/m). Distributed capacitance between conductor and shield must be less than 60 pF/foot (200 pF/m). Foil or braided shield is acceptable.
Segment length	4000 ft. (1071 m.) per segment using recommended wire.
Maximum devices overall	Depends on classification of devices as master or slave. Maximum number of master devices is 128. Maximum number of slave devices or devices overall (mixed master and slave) is 255. This includes Smart Series Plus's which are considered masters.
Maximum devices per segment	Depends on relative unit load of devices (see "Terminating MS/TP LAN cabling").
Repeaters	Required when making runs longer than 4000 ft. Three repeaters maximum between any two devices.
Terminating resistors	Matched resistors required at each end of segment bus wired across (+) and (-). Use matched precision resistors rated ¼W ±1% / 80 - 130 Ohms.
Shield grounding	Ground shield drain wire at single point earth (panel) ground, not Smart Series Plus ground. Tape off shield drain wire at other end. Tie shield drain wire through at each Smart Series Plus.

CAUTION: Do not mismatch terminating resistors. Ensure that both resistors on a segment have the same value.

NOTE: Typically, White is Data - and Black is Data +.

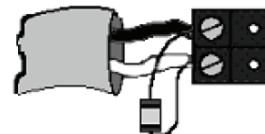


Figure 9: Terminating Resistor Detail

Configuration

Once the Smart Series Plus is mounted and wired, configure it from the Smart Series Plus touchscreen.

Adjusting the date and time

When the controller is first powered up, you may need to set the date and time. These are set at the factory, but the on-board power supply may have run down. If this happens, adjust the date and time.

To adjust the time

1. Touch Clock at the bottom of the screen.
2. Use the arrows to adjust the year, month, and day.
3. Press DONE.
4. Adjust the time and press DONE.

To manually adjust the date and time after initial setup, see "Clock operation" on page 6.

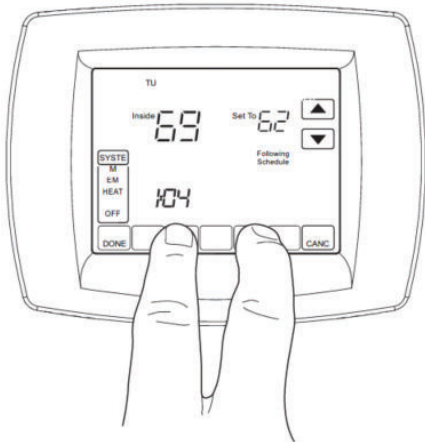
Setting the MAC address and device instance

The factory default MAC address is 0. Valid MAC addresses are 0-127. The default device instance is 000999. Valid device instances are 0-4194302.

Note: The device instance can also be set using a BACnet Supervisor.

To set the MAC address and device instance at the display

1. From the home screen, press SYSTEM (left side of the screen). Five blank touch keys will appear at the bottom of the screen.
2. Press and hold the two blank keys on either side of the center key for approximately five seconds (see Figure below).



The installer setup (ISU) screen appears. An ISU code is displayed in the lower left. It is a four-digit code beginning with zero. The current setting is displayed in the lower right.

3. Use the down arrow next to the installer setup code to advance to ISU code 800.
4. Use the up and down arrows next to the current

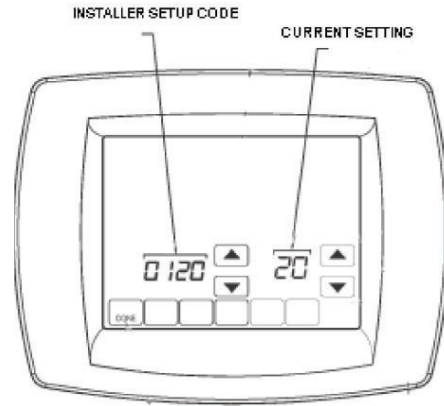


Figure 11: ISU screen

setting to set ISU code 800 (MAC address) to a value between 0 and 127.

5. Set ISU code 801 (first digit of device instance) to a value between 0 and 4.

Note: The device instance is set by entering values in four separate ISU codes.

6. Set ISU code 802 (second and third digits of device instance) to a value between 00 and 99.
7. Set ISU code 803 (fourth and fifth digits of device instance) to a value between 00 and 99.
8. Set ISU code 804 (sixth and seventh digits of device instance) to a value between 0 and 99.
9. Press Done to exit installer setup.

For example, if you want to set the MAC address to 15 and the device instance to 1876, you would use these settings:

ISU code 800=15
ISU code 801=0
ISU code 802=00
ISU code 803=18
ISU code 804=76

Installer setup (ISU) codes

Installer setup mode provides access to functions specific to installation of a Smart Series Plus. Some Smart Series Plus configuration parameters can be altered from the ISU screens. The ISU parameters can also be accessed via BACnet.

You can require a PIN to access ISU mode by setting AV-133 to a non-zero, four-digit number.

To access the ISU screens

1. From the home screen, press SYSTEM (left side of the screen).
2. Five blank touch keys appear on the bottom of the screen between the **Done** and **Cancel** keys. press and hold the two blank keys on either side of the center key for approximately five seconds.
3. If a PIN code is required, use the top arrows to select the first two digits of the code and the bottom arrows to select the third and fourth digits of the code, and then press **DONE**.

The ISU screen appears.

4. Use the arrows to select parameters and values.

See Table 2 below for details.

5. Press **DONE**.

Note: After five minutes of inactivity, the ISU screen reverts to the main screen.

Table 2: ISU Parameters

ISU Parameter Code	Description	Allowed Values
120	Year; first 2 digits	19-21
130	Year; second 2 digits	00-99 (00-54 if ISU 200=21)
140	Month	1-12
150	Day	1-31
160	Schedule format BV-133	0 – not programmable (BV-133=0) 4 – 7 day programmable (BV-133=1)
280	Backlight control BV-79	0 – on for 20 seconds after keypress 1 – low always on bright after keypress
320	Swap BV-69 English/Metric BV-69	1 – show opposite units to specified in DDC header
330	Daylight saving AV-127	0 – off; no automatic adjustments 1 – pre 2007 scheme 2 – 2007 and later scheme
500	Filter change reminder AV-124	0 – reminder not used 1 – 10 days 2 – 30 days 3 – 60 days 4 – 90 days 5 – 120 days 6 – 365 days
540	Program periods AV-129	2 – Wake/Sleep 4 – Wake/Leave/Return/Sleep
640	Clock format BV-83	12 – 12 hour (BV-83=0)
670	Keypad lock AV-128	0 – no lock 1 – access temperature settings only 2 – fully locked
700	Sensed room temperature offset (AV-138)800	-4 to +4 degrees F 0-127
800	MS/TP MAC	0-127
801	BACnet Device Instance - first digit	0-4
802	BACnet Device Instance second and third digits	00-99 0-127
803	BACnet Device Instance fourth and fifth digits	00-99 00-99
804	BACnet Device Instance sixth and seventh digits	00-99 00-99

Fixed field service codes

Field service mode enables technicians to query and command key operating variables in the Smart Series Plus while at the Smart Series Plus touchscreen. A technician presses a particular key sequence at the Smart Series Plus to enter field service mode.

In field service mode a technician uses the left arrows to scroll through data codes and the right arrows to change the value associated with a code.

The lower left of the LCD shows the two-digit data code and the main area displays the data value. A pre-defined list of data codes is available within the description of each application.

Note: When using the local user interface to change applications (AV-49), the application defaults will NOT change and must be changed manually.

You can deny users access to field service mode by setting BV-68 to ON. You can also require a PIN code in

order to enter field service mode by setting AV-132 to the desired PIN number.

Field service mode ends automatically if there is no key activity for five minutes.

Setting field service codes

To set field service codes

1. From the home screen, press SYSTEM (left side of the screen).
2. Press and hold the center bottom key (blank) for about five seconds.
3. If a PIN code is required, use the top arrows to select the first two digits of the code and the bottom

Operational overview

The Smart Series Plus operates in one of three modes - Setpoint, Occupancy Single Setpoint, and Occupancy Dual Setpoint.

Common features

This section describes features common to all operating modes.

LCD backlight operation

BV-79 controls backlight operation. If BV-79 is set to OFF, the backlight turns ON when any key is pressed and stays on for 20 seconds after there is no key activity. If BV-79 is set to ON, the backlight is ON continuously.

Clock operation

The Smart Series Plus's real-time clock provides time and date for displaying the date and time, implementing daylight savings settings, and implementing schedules. If AC power is lost, a super capacitor will power the clock for ten days. If the date and time are lost, the Smart Series Plus will display the set time and date screens when powered up.

Note: The real-time clock is separate from the CPU time keeping utility. It only affects the items listed in this section.

Daylight savings (DLS) settings can be controlled by a Smart Series Plus or by a BACnet Supervisor. If installer setup (ISU) parameter 330 is set to non-zero, the Smart Series Plus will control DLS settings. If ISU 330 is zero, DLS is controlled by a BACnet Supervisor.

The clock accepts time syncs from a BACnet Supervisor. If configured in DDC, the date and time can also be set manually using the display. To deny a user permission to set the clock, set BV-116 to 1.

The last time command, whether from the user screen or BACnet, takes precedence.

To adjust the real-time clock

1. Press CLOCK.
2. Use the arrow keys to select a year, month, and day.
3. Press **DONE**.
4. Select a time.
5. Press **DONE**.

arrows to select the third and fourth digits of the code, and then press **DONE**.

The field service screen appears.

4. Press the left up or down arrows until the desired code appears. Refer to Table 23 for all available codes.
5. Press the right up or down arrows to adjust the value associated with the code.
6. Press the left up or down arrows to accept the change and scroll to a different code.
7. Press **DONE** to exit field service mode.

MORE key navigation

The **MORE** key allows a programmer to make additional screens available to users. Enabling the display of one or more of these screens causes the **MORE** key to appear on the main screen. The screens that can be made available are:

- Inside humidity

When the user presses **MORE**, the first enabled screen appears. Pressing **MORE** again displays the next screen.

Touchscreen cleaning

If the display screen needs to be cleaned, the user presses **SCREEN**. The display will lock for 30 seconds allowing the user to wipe the screen without pressing any keys. When the display reads 0, press **SCREEN** to continue cleaning or **DONE** to quit. Use a non-abrasive glass cleaner.

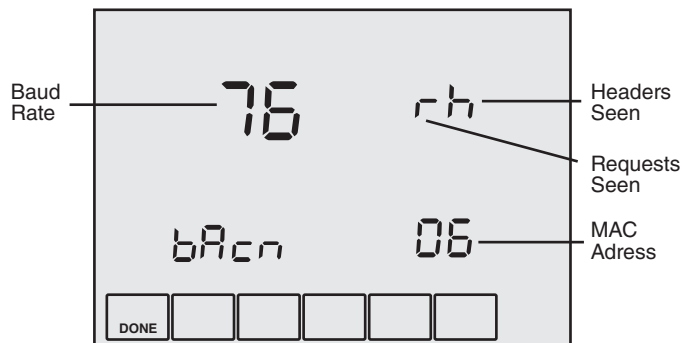
Checking MS/TP communication

You can check MS/TP communication from the display. The Smart Series Plus will indicate if MS/TP packets and headers have been seen, the baud rate, and the MAC address.

To check MS/TP communication

1. Enter field service mode. See "To set field service codes".
2. Ensure the UC code is displayed.
3. Press the blank key usually labeled MORE (rightmost bottom button).
4. Press the down arrow near the UC code.

The MS/TP communication screen appears.



5. Press **DONE** twice to exit.

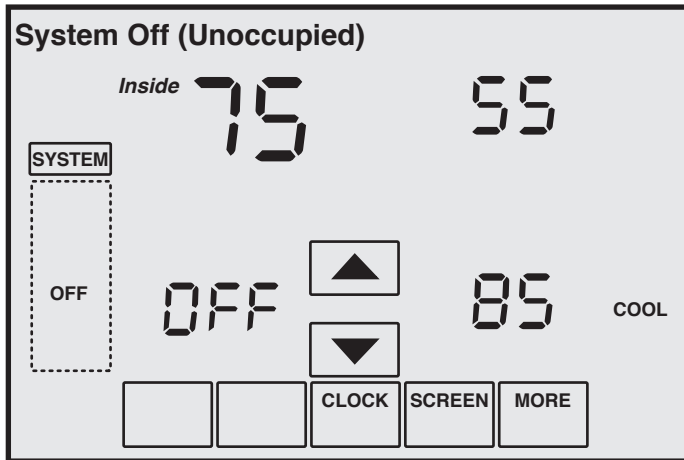
Configurable Occupancy Modes

- SYSTEM Block: AUTO/OFF selection (Occupied/Unoccupied)
- Occupancy mode (AV-123=0, default): Schedules Occupancy states
- Setpoint mode (AV-123=1): Schedules Setpoints
- Dual setpoint mode (AV-123=2): Dual setpoints when Occupied
- Internal schedules enabled when BV-133 is active or ISU 160=4
- BMS schedules enabled when BV-56 is active

Sequences of Operation

Controller outputs are disabled when Enable Outputs [OE] BV-2 OFF/ON is in the OFF (inactive) state. Do not enable outputs until you are certain the wiring and configuration is correct and complete.

Figure 31 Display: SYSTEM Block OFF; SYSTEM Block AUTO



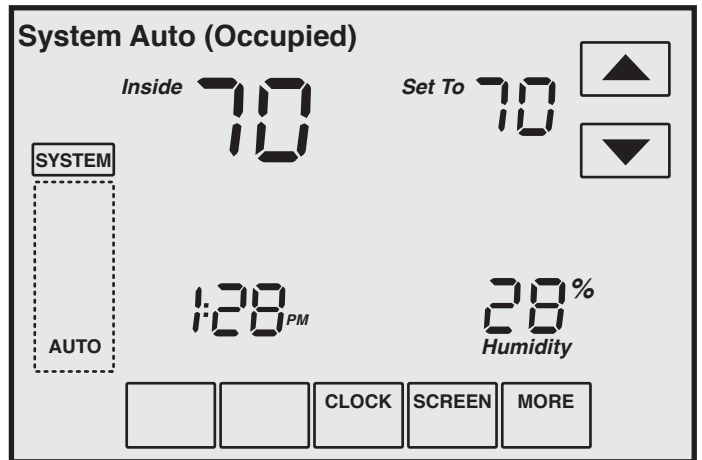
SYSTEM Block Control (BV-102)

When the unit is configured to run in Occupancy Mode, the SYSTEM Block allows the user direct control of occupied or unoccupied state from the controller display. Selecting “Auto” places the controller in Occupied state. Selecting “OFF” places the controller in unoccupied state.

The SYSTEM Block can be hidden by setting BV-102 inactive. When the SYSTEM Block is hidden occupancy states are controlled exclusively by the onboard or BMS schedules.

If onboard or BMS schedules are enabled, the “OFF” selection will override the controller’s scheduled state and force the unit into Unoccupied state. If you do not want the user to have this ability, set BV-102 inactive to hide the SYSTEM Block.

You can optionally change the behavior of the SYSTEM Block “OFF” setting so that instead of placing the controller in the Unoccupied state, the controller will turn the fan off. Heating and cooling are disabled when the fan is off. The fan will remain off until the user changes the SYSTEM Block to “Auto.” Set BV-10 to active to allow this option.



Configure Schedules

The BACnet FF can be configured to follow an internal schedule by setting ISU parameter 160 or BV-133. The BACnet FF may also be scheduled by a BMS. Set BV-56 to active to enable BMS schedules. BV-133 changes to inactive when BV-56 is active.

If the internal schedule is OFF, the user can adjust the setpoint (within setpoint limits).

Schedules are stored in flash memory so they persist through power cycles.

Occupancy Control (AV-123 = 0, default)

The controller operates in Occupied state when the Occupied Command (BV-64) is turned ON by any of the following:

- When the controller’s SYSTEM Block “AUTO” is selected by the user
- By local internal schedule, which writes to BV-40 at priority 16

- By a command sent from a BMS schedule or BMS operator override, writing to BV-40.

Note: If the user is allowed to command the SYSTEM Block, this command is at priority 10. BMS schedules should write to one of the BV-40 priorities 12-16 to avoid overriding the user command.

- When the occupant has initiated an after-hours override by pressing the override arrows on the touch screen.

The Unoccupied Setpoints are activated when the controller’s SYSTEM Block is set to “OFF” by the user.

When operating in the Unoccupied state, the override up/down arrows can be pressed to force the controller into the Occupied state for up to 4 hours (default value). The override time limit (AV-97) is adjustable from a minimum of 0.2 hours to a maximum of 9.5 hours.

Setting BV-9 to active enables the controller to default to Occupied state whenever communication with the BMS is lost continuously for more than 5 minutes. The command to Occupied state is implemented by setting BV-64 to active.

Occupied, Unoccupied, and Standby Heating and Cooling* Setpoints

When operating in the Unoccupied state, the cooling and heating setpoint revert to specific values:

- Current Cooling Setpoint (AV-99) = Unoccupied Cooling Setpoint (AV-95)
- Current Heating Setpoint (AV-100) = Unoccupied Heating Setpoint (AV-96)

When operating in the Occupied state, the cooling and heating setpoints are calculated as offsets from the user adjustable Space Setpoint (AV-90):

- Current Cooling Setpoint (AV-99) = AV-90 plus AV-93 plus Demand Offset (AV-106)
- Current Heating Setpoint (AV-100) = AV-90 minus AV-94 minus Demand Offset (AV-106)

When operating in the Standby mode, the Current Cooling Setpoint and Current Heating Setpoint are calculated as for occupied mode as described above. However the standby offset ([SO]:, AV-19) is transferred to the Demand Offset (AV-106) before the computations, resulting in relaxed setpoints during standby operation.

User adjustment of the Space Setpoint (AV-90) value is limited by the Setpoint High Limit (AV-91) and the Setpoint Low Limit (AV-92).

*Cooling operation is blower only, no heat.

Adjusting the Heating and Cooling Offset

Room Temperature will differ from the set temperature. When the heater is consistently too high or low compared to the set temperature, the user can decrease or increase the Heating Offset [:HO] value, which lowers (or raises) the heating setpoint [HS] at which the heater turns on. Recall that $[HS] = [:SP] - [:HO]$, where [:SP] is the user-commanded target temperature of the room. In the Field Service Screen, adjust field code [:HO] from 1-99 to the number of degrees of temperature to subtract from [:SP], the result of this subtraction being the [HS] temperature at which the heating mode will activate. For example, if $[:SP] = 70$, then setting $[:HO] = 5$ commands the heat to turn on if ambient temperature falls to 65 F or below. In addition, you should verify that the fan control mode is set correctly (FC=3). See Table 23.

If the fan (without heat) runs too often or too seldom for occupant comfort, the user can increase or decrease the Cooling Offset [:CO] value that modifies the cooling setpoint [CS] at which the fan (without heat) turns on. Recall that $[CS] = [:SP] + [:CO]$, where [:SP] is the user-commanded target temperature of the room. In the Field Service Screen, adjust field code [:CO] from 1-99, this value representing the degrees of offset to add to [:SP]. For example, if $[:SP] = 70$, then setting $[:CO] = 5$ commands the fan (without heat) to turn on if ambient temperature reaches or exceeds 75 F. In addition, you should verify that the fan control mode is set correctly (FC=3). See Table 23.

Table 21: Setpoint Values in Occupancy Control

Field Code	Description
[:SP]	AV-90 Space Setpoint
[:HI]	AV-91 Setpoint High Limit
[:LO]	AV-92 Setpoint Low Limit
[:CO]	AV-93 Cooling Setpoint Offset
[:HO]	AV-94 Heating Setpoint Offset
[:UC]	AV-95 Unoccupied Cooling Setpoint
[:UH]	AV-96 Unoccupied Heating Setpoint
[CS]	AV-99 current calculated Cooling Setpoint
[HS]	AV-100 current calculated Heating Setpoint
--	AV-106 demand offset (AV-106 value updates AV-99, AV-100)
[SO]	AV-19 standby offset; 0 minimum, 6 maximum degrees DDC transfers value to AV-106

Setpoint Control (AV-123 = 1)

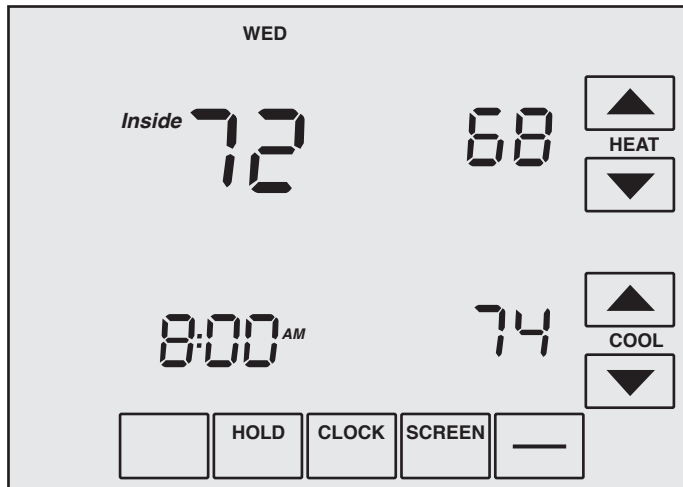
In setpoint mode, the controller logically emulates residential thermostats. The space temperature is controlled to "SP Mode Cooling SP" (AV-108) and "SP Mode Heating SP" (AV-109). These setpoints are writable using BACnet. Each schedule period consists of a start time, a heating setpoint, and a cooling setpoint. The maximum number of periods per day is configured using ISU parameter 540 (AV-129). A value of 2 specifies two periods per day -- Wake and Sleep. A value of 4 specifies four periods per day -- Wake, Leave, Return, and Sleep. The scheduler selects the last valid period start before the present time as the period to use. Setpoint mode schedules are not accessible using BACnet. The only way to view, edit and save a schedule is from the unit's LCD screen.

Note: Setpoints are writable using BACnet but schedules are not accessible using BACnet.

If the Standby mode is active, the heating and cooling setpoints are adjusted by the standby offset ([SO]:, AV-19).

Note: The SYSTEM Block is hidden when the controller is in Setpoint control mode.

Figure 32: Setpoint Mode Display: Single-Speed Fan



Schedule Setpoint Overrides in Setpoint Mode

An override is created using one of three modes.

Temporary- press an arrow next to a setpoint. The words "Hold Temperature Unit" appear above the time display, which shows the default ending time (the beginning of the next schedule transition). Use the arrows to adjust the ending time. Wait a few seconds. The arrows next to the ending time disappear and the override takes effect.

Permanent- press **HOLD**. The words "Permanent Hold" appear below the time display and the override takes effect.

Vacation- while in Permanent Hold, press **HOLD**. The words "Hold Temperature Unit" appear above the time display. Use the arrows to select the number of days (1-365) you want to override to last. Wait a few seconds. The arrows next to the ending time disappear and the override takes effect.

Pressing **CANCEL** returns the BACnet FF to the current schedule.

The Setpoint mode override status (AV-113 and MV-13), hold until time (AV-130), and the number of vacation days left (AV-130) can be adjusted remotely using BACnet or by DDC.

A user's ability to set Permanent or Vacation holds can be disallowed by setting BV-115 and BV-130, respectively.

Dual setpoint mode (AV-123 = 2)

In dual setpoint mode, the following quantities are used:

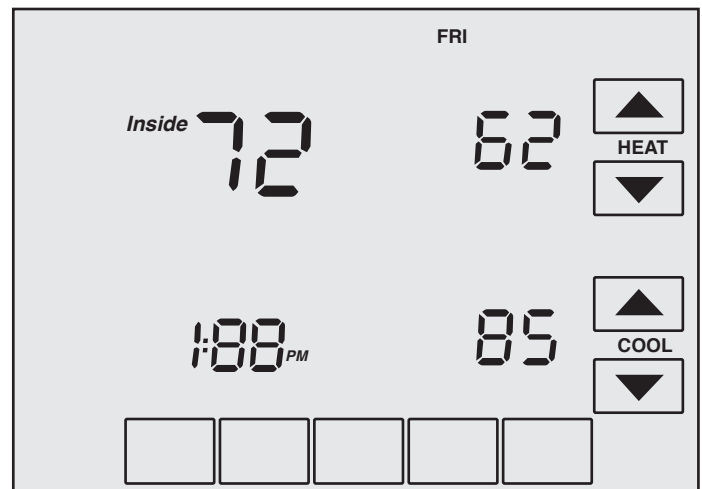
- Occupied Heating SP (AV-109)
 - Occupied Cooling SP (AV-108)
 - Unoccupied Heating SP (AV-96)
 - Unoccupied Cooling SP (AV-95)
 - Heating SP Limit (how high the heating setpoint can be set) (AV-92)
 - Cooling SP Limit (how low the cooling setpoint can be set) (AV-91)
- AV-109 and AV-108 are used to control

Occupied Cooling (blower only) and Occupied Heating Setpoints. Both are writable using BACnet or the device screen. When the space is occupied (BV-67 = Active), AV-109 and AV-108 are transferred to the current heating and cooling setpoints (AV-100 and AV-99).

IMPORTANT! DDC should not use AV-109 or AV-108 directly.

When the space is unoccupied, the Unoccupied Heating and Cooling Setpoints (AV-96 and AV-95) get transferred to the current heating and cooling setpoints (AV-100 and AV-99). The Unoccupied heating and cooling setpoints are not user-adjustable but they are adjustable using field service mode or an operator workstation. Unoccupied heating and cooling setpoints are not transferred to AV-109 and AV-108 during unoccupied periods.

Figure 33: Dual Setpoint Display in Occupied Mode: Occupied Heating Setpoint AV-109, User-Adjustable and Occupied Cooling Setpoint AV-108, User-Adjustable.



Note: Use the **MORE** key to view OSA temperature and humidity values on subsequent screens.

Writes to AV-109 and AV-108 are limited by the Setpoint High and Low Limits (AV-91 and AV-92). Writes to AV-109 and AV-108 are also limited to the heating setpoint less than the cooling setpoint by a minimum of one degree.

Fan Mode Control

Occupancy Mode

During occupancy mode the fan operates based on the selected Fan Mode.

- Fan Control AV-17 = 1: Fan runs continuously for ventilation.
- Fan Control AV-17 = 2: Fan runs continuously for cooling and cycles on for heating demand. When in Cooling mode, the fan runs continuously. When in Heating mode, the fan cycles on only when the heating signal calls for the fan to run.
- Fan Control AV-17 = 3: Fan cycles on when cooling or heating is selected or during Unoccupied mode only when called to run by cooling or heating demand.

Setpoint Mode

- AV-227 =1: Fan cycles on for cooling and for heating demand.
- AV-227 =2: Fan runs continuously.

Analog Fan Speed Control (Optional)

The fan speed analog output AO-1 will ramp from 0-100% based on the heating or cooling signal demand.

Note: Variable speed drives run at minimum motor RPM even if AO-1 is zero when in run mode.

Standby Heating and Cooling (Blower Only) Setpoints

Standby state is a power-saving function of Occupancy mode. It occurs when the space is scheduled Occupied, but sensors detect there are no humans in the space. In this case the occupied heating and cooling setpoints are relaxed by the Standby Offset [SO]. When the Standby input is active, the economizer is controlled to its fully-closed position. The value of the Standby Offset [SO] may be set between a minimum of 0 and a maximum of 12 degrees.

Examples: If [:CS] = 72, [:HS] = 69, and [SO] = 4 then the setpoints are relaxed to [:CS] = 76, and [:HS] = 65.

Occupied Standby state, wired contacts

A door/window contact, light switch, or PIR is wired to the standby input BI-1. The switch polarity normally open/normally closed is configured by BV-3 [uL]. Set BV-3 inactive for normally open contacts, active for normally closed contacts. When the controller is in the Occupied state and the Standby input (BI-1) is triggered, the room status switches to Occupied Standby state (refer to Standby Heating and Cooling calculated Setpoints above). A BMS can also be configured to monitor BI-1 for door/window ajar alarms.

Standby logic: In Standby state, BI-1 is active (e.g. a window is open). BV-4 is active and the value of the Standby Offset, [SO] AV-19, is transferred to the Demand Offset, AV-106. The [SO] AV-19 default is 4, the minimum is 0, and the maximum is 12.

Occupied Standby State, Wireless Contacts (TB3026B-W only)

The wireless-controller interface sets BV-149 active. BV-149 in the active state overrides the wired input at BI-1, which no longer has standby control functionality. If normal standby operation is required, BV-148 should be set to inactive allowing BI-1 to have standby control as it does on the non-wireless version. Any of up to 3 wireless PIR motion sensors can be configured and paired to the controller to sense room occupancy. Any of up to 8 wireless Window/Door sensors can be configured and paired to the controller to monitor open/closed status of windows or doors. When the controller is scheduled Occupied, if any window or door is opened and closed with no motion detected after 180 seconds, the room status switches to Occupied Standby state. The controller returns to the Occupied state when motion is detected. If

a door or window is left open for more than 180 seconds, the controller sets to Standby state.

Standby logic: In Standby state, BV-4 is active and the value of the Standby Offset, [SO] AV-19, is transferred to the Demand Offset, AV-106. The [SO] AV-19 default is 4, the minimum is 0, and the maximum is 12.

Optional BI-1 input configuration (TB3026B-W only)

Input BI-1 on the BACnet FF may be used for point monitoring by a BMS.

- A dry contact normally open (e.g., filter status DPS, etc.)
- Standby Offset AV-19 is used by the wireless standby monitoring logic. Do Not set to zero (0).

Heating and Cooling Demand

Heating (AV-0) and Cooling (AV-1) signals are generated from the Space Temperature and the current Heating and Cooling Setpoints using a proportional-integral (PI) control algorithm. The two signals are compared, and the smaller one is set to zero to prevent any simultaneous heating and cooling. In the event of a Bad Space Sensor Alarm, both heating and cooling signals are set to zero.

Upon power-up or any transition to Occupied state, the integral component is re-initialized for both the Heating Signal and Cooling Signal PI control loops.

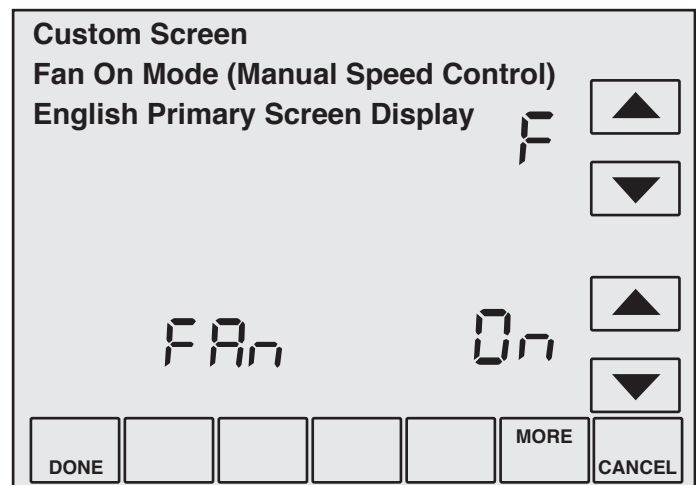
Heating and Cooling Signals — PI settings

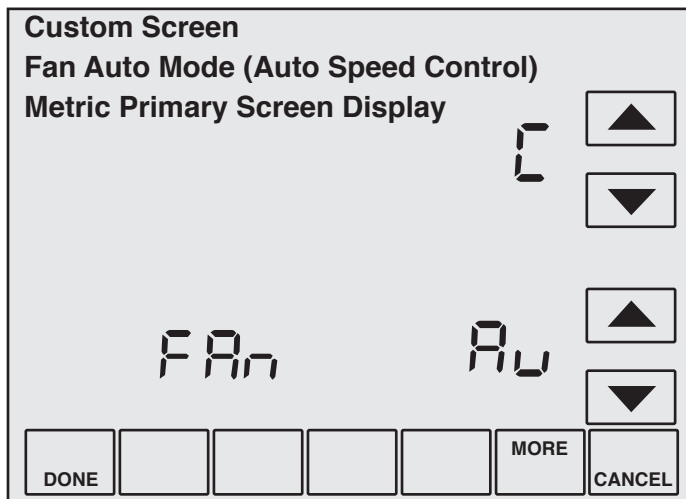
The Heating signal PI settings are Heating Signal Kp (AV-41) and Heating Signal Ki (AV-42). The Cooling Signal PI settings are Cooling Signal Kp (AV-43) and Cooling Signal Ki (AV-44).

English/Metric Units Configuration

The display contains adjustment arrows to change the controller's main display for English "F" or Metric "C". The controller internal units English or Metric are set by BV-71. BV-71 is set to inactive (default) for English or active for Metric. Selecting either adjustment arrow will update the display units F or C. Setting BV-8 (Lock Display Units Swap) to active will display the opposite units as indicated by BV-71 and will lock out changes to the display.

Figure 34: Display: English (F) or Metric (C)





Note: BV-55 controls Fan Auto/Fan On display. Setting BV-55 inactive hides Fan Auto/Fan On. Setting BV-55 active shows Fan Auto/Fan On status. If BV-55 is inactive, BV-58 inactive/active control by BMS toggles Fan Auto/Fan/ON.

Table 23: Setup Codes

Code	Object		Default	Options	Units	Factory Settings
AP	AV-49	Application Selection	5	0-18		5
OE	BV-2	Output Enable	OFF	OFF/ON		Set to ON to Enable Outputs
FC	AV-17	Fan 1=Cont 2=CycHtg 3=CycHtgClg	1	1, 2, 3		3
SP	AV-90	Occupied Space Setpoint	70	70	Deg	N/A
HI	AV-91	Setpoint High Limit	78	78	Deg	100.0°F
LO	AV-92	Setpoint Low Limit	62	62	Deg	50.0°F
CO	AV-93	Cooling Offset	2	2	Deg	N/A
HO	AV-94	Heating Offset	1	1	Deg	N/A
UC	AV-95	Unoccupied Clg Setpoint	85	85	Deg	N/A
UH	AV-96	Unoccupied Htg Setpoint	55	55	Deg	N/A
AL	AV-97	After Hours Limit	4	4	Hours	N/A

NOTE: When first connecting or powering up a Smart-Series Plus control, be sure to go into the Field Service Code screen and set (:OE) to ON to ensure the relays receive power and can control the Cabinet Unit Heater.

NOTE: These parameters MUST be set according to the table above. If any parameters are changed the unit will not function properly.

Table 24: Requires BMS to Set

Code	Point	Value	Default	Options	Units	Notes
	BV-102	Show SYSTEM control	Active	Inactive/Active		A visible SYSTEM Block may or may not be required with schedules. SYSTEM Block "OFF" overrides scheduled occupied states to unoccupied.
	AV-123	Schedule Model	0	0 = Occupancy 1,2 = Setpoint		Sets mode as Occupancy or Setpoint.
	BV-27	Heating Lockout	Inactive	Inactive/Active		
	AV-20	Standby Delay Seconds	180	180	Sec	
	BV-56	Enable BMS Scheduling	Inactive	Inactive/Active		Overrides BV-133 internal schedules
	BV-9	Enable Communication Failure	Inactive	Inactive/Active		Set active to auto fail to occupied on MS/TP comm failure

Table 24: Requires BMS to Set (Cont.)

Code	Point	Value	Default	Options	Units	Notes
	BV-10	Enable System OFF	Inactive	Inactive/Active		
	AV-40	AC HP Mode	2	1,2		Setting 1, emulates thermostat control. Setting 2, analog to BIN control.
	AV-41	Heating Signal Kp	20			
	AV-42	Heating Signal Ki	1			
	AV-46	Auto Fan Start Demand %	20		%	
	AV-53	Auto Fan Stop Deadband SP	5		%	Setting for all single speed fan applications
	AV-77	Filter Alarm SP	3000		Hours	
	AV-78	2PVIvMode Set DB%	20	20-100		
	AV-79	2PVIvMode Reset DB%	1	1-25		
	BV-105	Show Unoccupied Htg/Clg SPs	Active	Active/Inactive		
	BV-210	Enable Custom Screen	Active			Inactive hides custom screen options
	BV-215	URHC Enable	Active			Inactive hides F/C selection
	BV-219	LLHC Enable	Active	Do Not Change		DDC control
	BV-222	LRHC Enable	Active	Do Not Change		DDC control
	BV-262	URHC Adi Arrows	Active	Do Not Change		DDC control
	BV-276	LRHC Adi Arrows	Active	Do Not Change		DDC control
	MV-8	OFF	4	Do Not Change		
	MV-9	F1	5	Do Not Change		
	MV-10	F2	5	Do Not Change		
	MV-11	F3	4	Do Not Change		
	MV-21	Mode 1-Numeric, 2-Alpha Numeric	2	Do Not Change		
	MV-22	Mode 1-Numeric, 2-Alpha Numeric	2	Do Not Change		

Table 24: Requires BMS to Set (Cont.)

Code	Point	Value	Default	Options	Units	Notes
	MV-22	Mode 1-Numeric, 2-Alpha Numeric	2	Do Not Change		
	MV-23	Mode 1-Numeric, 2-Alpha Numeric	2	Do Not Change		
	AV-218	URHC delta	1	Do Not Change		
	AV-216	URHC Up Arrow Max	1	Do Not Change		
	AV-217	URHC Down Arrow Min	2	Do Not Change		
	AV-230	LRHC Up Arrow Max	1	Do Not Change		
	AV-231	LRHC Down Arrow Min	2	Do Not Change		
	AV-232	LRHC Delta	1	Do Not Change		

APPENDIX A: BACNET OBJECT AND PROPERTY REFERENCE

This section shows the BACnet objects available in the Smart Series Plus. The tables that follow list individual

points and give details about the properties of each object listed.

Smart Series Plus Objects

Object (instance range)	Remarks
AI-(0-2)	Analog input objects associated with physical, universal input terminals on Smart Series Plus. AIs are identified as AI- <i>nn</i> , where <i>nn</i> is the input terminal number.
AO-(0-7)	Analog output objects associated with physical output terminals. AOs are identified as O- <i>nn</i> , where <i>nn</i> is the output terminal number.
AV-(90-107)	RESERVED AVs.
AV-(0-89)	General use AVs.
AV-(108-136)	Screen control and feedback
AV-(210-233)	Custom screen control and feedback
BI (0-2)	Binary input objects associated with physical, universal input terminals on Smart Series Plus. BIs are identified as BI- <i>nn</i> , where <i>nn</i> is the input terminal number.
BO (0-5)	Binary output objects associated with physical output terminals on Smart Series Plus. BOs are identified as BO- <i>nn</i> , where <i>nn</i> is the output terminal number.
BV-(0-63)	General use BVs. BV-40 supports the priority-array property. BV-40 is used for occupancy commands.
BV-(90-147)	Screen control and feedback
BV-(200-202)	AI-current mode select
BV-(210-299)	Custom screen control and feedback
BV-(300-301)	AO-current mode detection feedback
BV-(400-402)	AI-pullup enables
MV-(0-23)	Multistate values RESERVED.
Device	Provides general information about a device
File (254)	Provides information about the operating system file.
Schedule 0	Internal schedule used only in Occupancy mode and only if enabled by BV-133

Object properties

Device Object Properties

Property	Access	Notes
Object Identifier	R/W	Not writable in Smart Series Plus
Object Name	R/W	
Object Type	R	
System Status	R	OPERATIONAL
Vendor Name	R	"Honeywell"
Vendor Identifier	R	91
Model Name	R	"Honeywell-XXXXXX"
Firmware Revision	R	(comes from boot loader) initially "RL 5.00 (build x)"
Application Software Version	R	"5.00 (build y)" or similar
Location	R/W	
Description	R/W	
Protocol Version	R	1
Protocol Revision	R	4
Protocol Services Supported	R	atomicReadFile, atomicWriteFile, readProperty, readPropertyMultiple, writeProperty, writePropertyMultiple, deviceCommunicationsControl, reinitializeDevice, i-Am, unconfirmedPrivateTransfer, timeSynchronization, who-Has, who-Is, utcTimeSynchronization
Protocol Object Types Supported	R	analog-input, analog-output, analog-value, binary-input, binary-output, binary-value, device, file, program, schedule
Object List	R	Too large to return in a single request, so returns "segmentation not supported". Individual array entries can be read.
Max APDU Length Accepted	R	480
Segmentation Supported	R	no-segmentation
Local Time	R/W	Default = "00:00:00"
Local Date	R/W	Default = "Jan 1, 1900"
UTC Offset	R/W	Default = 0
Daylight Savings Status	R/W or R	Read-only if ISU parameter 330 is set to one of the auto-adjust options.
APDU Timeout	R/W	Default = 6000, limited to 100..60000
Number of APDU Retries	R/W	Default = 3, limited to 0..16
Max Master	R	127
Max Info Frames	RW	Default = 3, limited to 1..60
Device Address Binding	R	Empty List

AI-object properties

Property	Access	Notes
Object Identifier	R	
Object Name	R	"AI nnn"
Object Type	R	
Present Value	R	
Description	R/W	Read only if configured in DDC header using DDCMULTI.
Status Flags	R	All false
Event State	R	NORMAL
Out Of Service	R	FALSE
Units	R	Value set in DDC file using DDCMULTI except where noted otherwise in the sequence of operation

AO-Object Properties

Property	Access	Notes
Object Identifier	R	
Object Name	R	“AO- <i>nn</i> ”
Object Type	R	
Present Value	R/W	Limit 0.0 .. 102.4
Description	R/W	Read only if configured in DDC header using DDCMULTI.
Status Flags	R	Usually no flags set. The out-of-service bit shall be set whenever the point is configured as such using DDCMULTI.
Event State	R	normal
Out Of Service	R	Value configured in DDC file using DDCMULTI. See below.
Units	R	Value configured in DDC file using DDCMULTI.
Priority Array	R/W	Limit 0.0 .. 102.4
Relinquish Default	R	Value configured in DDC file using DDCMULTI.

AV-Object Properties

Property	Access	Notes
Object Identifier	R	
Object Name	R	“AV- <i>nnn</i> ” except where noted otherwise
Object Type	R	
Present Value	R/W	As described below
Description	R/W	Read only if configured in DDC header using DDCMULTI.
Status Flags	R	No flags set
Event State	R	Normal
Out Of Service	R	FALSE
Units	R	As described below

BI Object Properties

Property	Access	Notes
Object Identifier	R	
Object Name	R	“BI <i>nnn</i> ”
Object Type	R	BINARY INPUT
Present Value	R	
Description	R/W	Read only if configured in DDC header using DDCMULTI.
Status Flags	R	All false
Event State	R	NORMAL
Out Of Service	R	FALSE
Polarity	R	NORMAL

BO Object Properties

Property	Access	Default Location and Value
Object Identifier	R	
Object Name	R	“BO <i>nn</i> ”
Object Type	R	BINARY OUTPUT
Present Value	R/W	
Description	R/W	Read only if configured in DDC header using DDCMULTI.
Status Flags	R	Usually no flags set. The out-of-service bit shall be set whenever the point is configured as such using DDCMULTI.
Event State	R	NORMAL
Out Of Service	R	Selectable in DDC header
Polarity	R	NORMAL
Priority Array	R/W	RAM
Relinquish Default	R	Selectable in DDC header

BV-Object Properties

Property	Access	Notes
Object Identifier	R	
Object Name	R	“BV- <i>nnn</i> ” for most BVs, except where otherwise noted
Object Type	R	
Present Value	R/W	
Description	R/W	Read only if configured in DDC header using DDCMULTI.
Status Flags	R	No flags set
Event State	R	NORMAL
Out Of Service	R	FALSE
Priority Array	R/W	BV-40 only
Relinquish Default	R/W	BV-40 only

MV-Object Properties

Property	Access	Notes
Out of Service	R	False
Event State	R	Normal
Status Flag	R	NO flags set
Object Name	R	“MV- <i>nnn</i> ” except where otherwise noted
Description	R/W	
State Text	R	
Present Value	R	
Number of States	R	
Object ID	R	

Schedule Object Properties

Property	Access	Notes
Object Identifier	R/O	SCHEDULE 0
Object Name	R/O	“Schedule 0”
Object Type	R/O	SCHEDULE
Present Value	R/O	
Description	R/O	“Main Schedule”
Effective Period	R/O	ANYTIME (always in effect)
Weekly Schedule	R/W	7 days, 6 events per day maximum. BTL compliant.
Schedule Default	R/W	Inactive (enum 0)
List Of Object Property References	R/O	Empty
Priority For Writing	R/O	16
Status Flags	R/O	All bits clear
Reliability	R/O	NO FAULT DETECTED
Out Of Service	R/O	FALSE

Standard AVs and BVs

This section lists the logical points in the Smart Series Plus. Points with access type of “R/O” are computed by the Smart Series Plus and provided as inputs to the user application. Points with access type “R/W” are written by the user application or via BACnet in order to provide information to the Smart Series Plus.

UI control AVs and BVs

The following AVs, BVs, and MVs control the Smart Series Plus user interface.

General Control Avs

Point	Object Name	Access	Description
AV-110	SP Mode Setpoint Model	R/W	Setpoint Mode: Chooses the setpoint model, and also selects the layout of the Generic Backdrop display 0.0: use OFF Format (no setpoints shown) 1.0: use 1-setpoint format (cooling) 2.0: use 1-setpoint format (heating) 3.0: use 2-setpoint format Occupancy Mode: Ignored
AV-11	SYSTEM Setpoint Model	R/W	Provides a compatible output from the SYSTEM control that can be transferred into the setpoint model AV-110 (above) to reproduce default VisionPro behavior. The values produced by the SYSTEM control are limited by the configuration AVs, BVs, and MVs. 0.0: "OFF" selected 1.0: "COOL" selected 2.0: "HEAT"/"EM HEAT" selected 3.0: "AUTO" selected
AV-123	Occupancy Mode Select	R/W	Sets system to Occupancy mode.
AV-124	Filter Change Reminder	R/W	Enables the filter change reminder.
AV-127	Daylight Savings	R/W	Sets Daylight savings to Off, pre-2007 scheme, or post-2007 scheme.
AV-128	Keypad Lock	R/W	Locks the keypad.
AV-132	Field Service Mode Security PIN	R/W	Allows access to Field Service mode only by authorized users.
AV-133	ISU Mode Security PIN	R/W	Allows access to ISU mode only by authorized users.
AV-137	Fan Setting Display Format	R/W	Selects the format in which fan settings are shown on the display.

General Control BVs

Point	Object Name	Access	Description
BV-80	Enable Fan Speed Control	R/W	ON: Allow the "FAN" control to be visible to the end user OFF: FAN control is always hidden
BV-102	Enable System Control	R/W	ON: Allow the "SYSTEM" control to be visible OFF: The "SYSTEM" control is always hidden
BV-103	Hide Fan and System	R/W	ON: Hide the FAN and SYSTEM controls in unoccupied mode regardless of other display settings) OFF: Show them if allowed
BV-104	Enable DOW	R/W	ON: Allow day of week to be shown is possible OFF: Never show the day of week
BV-105	Show Unocc Setpoints	R/W	ON: Display the unoccupied heating/cooling setpoints in unoccupied mode OFF: Don't display them

General Control MVs

Point	Object Name	Access	Description
MV-0	Time Mode	R	Provides feedback about the device's time handling capability: Normal clock operation will result in a present value of 3. 1: "Time Of Day Unknown Mode" 2: "Time Of Day Available Mode" 3: "Date/Time Available Mode"
MV-1	Schedule Model	R	Provides feedback about the device's schedule model 1: "Setpoint") 2: "Occupancy"
MV-2	Keypad Lock	R	Provides feedback about the keypad access level: 1: "full access" 2: "setpoints only" 3: "locked"
MV-3	DLS Mode	R	Provides feedback about the mode of Daylight Saving operation 1: "OFF" 2: "Auto (pre-2007)" 3: "Auto (2007 and later)"
MV-4	SP Increment	R	Amount of change in setpoint per arrow press 1: "1° F / 0.5° C" (default)
MV-5	Schedule Increment	R	Amount of change in schedule times per arrow press 1: "1 min" (default)

Optional Screen Segment Control BVs

In Setpoint Mode, the setpoint layout is controlled by AV-110, see above.

Point	Object Name	Access	Description
BV-77	Heating ICON	R/W	ON: Display "heat on" icon
BV-78	Cooling ICON	R/W	ON: Display "cool on" icon
BV-106	Show Wait	R/W	ON: Display "Wait"
BV-111	Force CHANGE FILTER	R/W	ON: Force "CHANGE FILTER" to be displayed (can also be automatically displayed due to filter timer)
BV-114	Disable SCHED key	R/W	OFF: Allow "SCHED" key to be used to access standard scheduling UI (if appropriate) ON: The "SCHED" key is always invisible
BV-115	Disable Permanent HOLD key	R/W	OFF: Allow "HOLD" key to be used to access the Permanent HOLD UI ON: the "HOLD" key is invisible or used for Vacation HOLD, if enabled.
BV-130	Disable Vacation HOLD key	R/W	OFF: Allow "HOLD" key to be used to access the standard Vacation Hold UI (if appropriate) ON: the "HOLD" key is invisible.
BV-116	Disable CLOCK key	R/W	OFF: Allow "CLOCK" key to be used to set clock (if appropriate) ON: the CLOCK key is always invisible
BV-131	Hotel Standby Mode	R/W	Set Active by DDC to indicate to the display that DDC is controlling to standby mode. Useful for visual indication if DDC mistakenly thinks the room is unoccupied.
BV-142	Master OFF	R/W	OFF: no effect ON: Override occupied status in Occupancy Mode. Home screen shows "OFF" without override arrows and user setpoint is not displayed. Used to implement user ON/OFF or fan control ON/OFF. Replaces the legacy BV65.

Schedule Control BVs

Point	Object Name	Access	Description
BV-114	Deny schedule viewing	R/W	If set, the user is not allowed to view schedules.
BV-133	Enable internal schedule	R/W	ON: Internal 7-day scheduling is enabled (subject to other factors). The BACnet schedule object is visible via BACnet OFF: Disables use of internal scheduling mechanism. The BACnet schedule object is invisible. All UI components related to schedule editing are disabled. This is ISU parameter 160. BV-133=0 shown as ISU 160=0. BV-133=1 shown as ISU 160=4.
BV-141	Disable schedule edit	R/W	ON: Inhibits screen EDIT key. Internal schedules may be viewed but not edited.
AV-129	Weekday periods ISU value	R/W	2: Two schedule periods per day 4: Four schedule periods per day

Schedule Control AVs

Point	Object Name	Units	Access	Description
AV-113	SP Override Mode AV		R/W	While in setpoint mode, indicates the setpoint override state. This point can be written in DDC to cancel the override status 1.0: scheduled 2.0: temporary 3.0: permanent 4.0: vacation 5.0: initial
AV-130	Hold until time	Minutes	R/W	While in setpoint mode, indicates the minute of the day (0-1440) at which a temporary or vacation override is to expire.
AV-131	Vacation days remaining	Days	R/W	While in setpoint mode, indicates the number of days remaining in a vacation override.

Programmation des MV de contrôle

Point	Object Name	Access	Description
MV-12	Schedule Format	R	This point is a human-friendly version of AV-129, ISU parameter 540 (see above) 1: "2 commands per day" 2: "4 commands per day"
MV-13	SP Override Mode	R	While in setpoint mode, indicates the setpoint override state. This point is a human-friendly version of AV-113 (see above) 1: "scheduled" 2: "temporary" 3: "permanent" 4: "vacation"

Temperature and Humidity Offset Avs

Point	Object Name	Units	Access	Notes
AV-138	Sensed Temperature Offset	Deg F/C	R/W	Limited to +/- 4 degrees F.

APPENDIX B: ORDERED LIST OF CONTROL POINTS

Point	Object Name	Point	Object Name
AV-90	Setpoint (SP)	AV-91	Setpoint High Limit
AV-92	Setpoint Low Limit	AV-93	Cooling SP Offset
AV-94	Heating SP Offset	AV-95	Unoccupied Cooling SP
AV-96	Unoccupied Heating SP	AV-97	After Hours Timer Limit
AV-98	After Hours Timer	AV-99	Current Cooling SP
AV-100	Current Heating SP	AV-101	Displayed Room Temperature
AV-104	Sensed Room Temperature	AV-105	Sensed Room Humidity
AV-106	Demand Offset	AV-107	RESERVED
AV-108	SP Mode Cooling SP	AV-109	SP Mode Heating SP
AV-110	SP Mode Setpoint Mode	AV-111	SYSTEM Setpoint Model
AV-113	SP Override Mode AV	AV-114	Filter Runtime
AV-115	Filter Runtime Limit	AV-116	RESERVED
AV-117	UV Lamp Runtime Limit	AV-118	RESERVED
AV-121	RESERVED	AV-122	RESERVED
AV-123	Set system to Occupancy mode	AV-124	Filter Change Reminder
AV-125	RESERVED	AV-126	RESERVED
AV-127	Daylight savings	AV-128	Keypad lock
AV-129	Weekday periods ISU value	AV-130	Hold until time
AV-131	Vacation days remaining	AV-132	Field service mode security PIN
AV-133	ISU mode security PIN	AV-134	RESERVED
AV-135	RESERVED	AV-136	RESERVED
AV-137	Fan Setting Display Format	AV-138	Sensed Temperature Offset
AV-139	RESERVED	AV-140	RESERVED
AV-141	RESERVED	AV-210	UHLH number
AV-211	ULHC left character	AV-212	ULHC right character
AV-213	URHC number	AV-214	URHC 10 char
AV-215	URHC 1 char	AV-216	URHC minimum
AV-217	URHC maximum	AV-218	URHC delta
AV-219	LLHC number	AV-220	LLHC 10 char
AV-221	LLHC 1 char	AV-222	LLHC minimum
AV-223	LLHC maximum	AV-224	LLHC delta
AV-225	LLHC 1000 char	AV-226	LLHC 100 char
AV-227	LRHC number	AV-228	LRHC 10 char
AV-229	LRHC 1 char	AV-230	LRHC minimum
AV-231	LRHC maximum	AV-232	LRHC delta
BV-64	Time Schedule Output	BV-65	User ON/OFF in Occupied Mode
BV-66	After Hours Timer Status	BV-67	Occupied/Unoccupied Status
BV-68	Field service Lockout	BV-69	Swap English/Metric
BV-71	English (OFF) / Metric (ON)	BV-72	Fan stage 1
BV-73	Fan stage 2	BV-74	Fan stage 3
BV-77	Heating ICON	BV-78	Cooling ICON
BV-79	Backlight ON	BV-80	Enable Fan Speed Control
BV-81	Select Hotel Mode	BV-82	Enable Time Display
BV-83	24Hr Time Format	BV-84	Enable Space Humidity
BV-100	RESERVED	BV-101	RESERVED
BV-102	Enable System Control	BV-103	Hide Fan and System
BV-104	Enable DOW	BV-105	Show Unocc Setpoints
BV-106	Show Wait	BV-107	Show Aux heat on
BV-108	RESERVED	BV-109	RESERVED
BV-110	RESERVED	BV-111	Force CHANGE FILTER

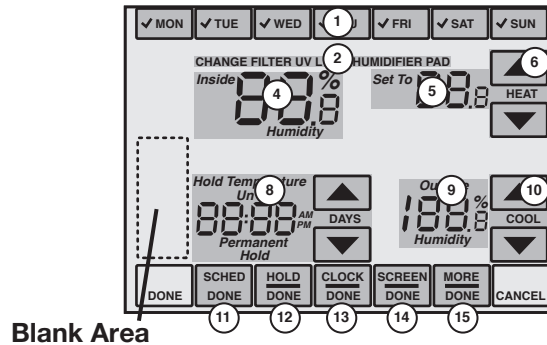
APPENDIX B: ORDERED LIST OF CONTROL POINTS (Con't)

Point	Object Name	Point	Object Name
BV-112	RESERVED	BV-113	RESERVED
BV-114	Disable SCHED key	BV-115	Disable Permanent HOLD key
BV-116	Disable CLOCK key	BV-117	Allow System OFF
BV-118	Allow System HEAT	BV-119	Allow System COOL
BV-120	Allow System AUTO	BV-121	Allow System EM HEAT
BV-122	System HEAT Mode	BV-123	System COOL Mode
BV-124	System AUTO Mode	BV-125	System EM HEAT Mode
BV-130	Disable Vacation HOLD key	BV-131	Hotel Standby Mode
BV-133	Enable internal schedule	BV-134	Filter Enable
BV-135	Filter ON	BV-136	RESERVED
BV-137	RESERVED	BV-138	RESERVED
BV-139	RESERVED	BV-140	RESERVED
BV-141	Disable schedule edit	BV-142	Master OFF
BV-143	RESERVED	BV-144	RESERVED
BV-145	RESERVED	BV-146	RESERVED
BV-147	RESERVED	BV-200 - BV-202	Aln Current Mode
BV-210	Custom 1 Enable	BV-211	Reset
BV-212	ULHC enable	BV-213	ULHC decimal
BV-214	ULHC lead zero	BV-215	URHC enable
BV-216	URHC decimal	BV-217	URHC lead zero
BV-218	URHC edit	BV-219	LLHC enable
BV-220	LLHC lead zero	BV-221	LLHC edit
BV-222	LRHC enable	BV-223	LRHC decimal
BV-224	LRHC lead zero	BV-225	LRHC edit
BV-226	LRHC leading 1	BV-227	Day boxes
BV-228	Mon text	BV-229	Tue text
BV-230	Wed text	BV-231	Thu text
BV-232	Fri text	BV-233	Sat text
BV-234	Sun text	BV-235	Mon check
BV-236	Tue check	BV-237	Wed check
BV-238	Thu check	BV-239	Fri check
BV-240	Sat check	BV-241	Sun check
BV-242	Ok to pick	BV-243	Screen locked
BV-244	Change	BV-245	Filter
BV-246	RESERVED	BV-247	RESERVED
BV-250	Inside	BV-251	RESERVED
BV-253	Set to	BV-254	Aux
BV-255	Heat On	BV-256	Wait
BV-257	Cool On	BV-258	Heat Adjust
BV-259	RESERVED	BV-260	Follow
BV-261	RESERVED	BV-262	URHC Adj Arrows
BV-263	Pm	BV-264	Am
BV-265	Days	BV-266	LLHC Adj Arrows
BV-268	Permanent	BV-269	Hold Until
BV-270	Cancel Period	BV-271	Outside
BV-272	DE	BV-273	RESERVED
BV-280	Vent	BV-281	Mon key
BV-282	Tue key	BV-283	Wed key

APPENDIX B: ORDERED LIST OF CONTROL POINTS (Con't)

Point	Object Name	Point	Object Name
BV-284	Thu key	BV-285	Fri key
BV-286	Sat key	BV-287	Sun key
BV-292	LLHC up key	BV-293	LLHC dn key
BV-294	RESET key	BV-295	CANCEL PERIOD key
BV-297	FAN key	BV-298	SYSTEM key
BV-300- BV-301	AOn Current Mode	BV-400 - BV-402	Aln Pullup
MV-0	Time Mode	MV-1	Schedule Model
MV-2	Keypad Lock	MV-3	DLS Mode
MV-4	SP Increment	MV-5	Schedule Increment
MV-6	User SYSTEM selection	MV-7	Fan status
MV-8	Fan OFF text	MV-9	Fan stage 1 text
MV-10	Fan stage 2 text	MV-11	Fan stage 3 text
MV-12	Schedule Format	MV-13	SP Override Mode

APPENDIX C: QUICK REFERENCE



Item	Function	Description
1	Days of Week	Shows the current day of the week. In Schedule Setup mode, shows all days. Check marks appear beside selected days.
2	Maintenance needed messages	Flashes when it is time to change a filter, UV lamp, or humidifier pad.
4	Inside condition	Displays the current inside temperature and/or humidity.
5	Setpoint	Displays the current setpoint
6	Heating adjustment	Pressing the arrows adjusts the heating setpoint.
8	Schedule area	Displays schedule holds and allows users to change schedules.
9	Cooling adjustment	Pressing the arrows adjusts the cooling setpoint.
10	SCHED EDIT	Displays the current schedule. In schedule mode, displays the Edit Schedule screen.
11	HOLD WAKE	Allows users to place the system on Permanent or Vacation hold. In Edit Schedule mode, flashing bar indicates that WAKE is the active schedule period.
12	CLOCK LEAVE	Allows users to change the system date and time. When editing a schedule, flashing bar indicates that LEAVE is the active schedule period.
13	SCREEN RETURN	Locks the screen for cleaning. In Edit Schedule mode, flashing bar indicates that RETURN is the active schedule period.
14	MORE SLEEP	Displays additional screens. In Edit Schedule mode, flashing bar indicates that SLEEP is the active schedule period.

Field Service Codes

(Press the SYSTEM block and hold down bottom middle key.)

:UC	Unoccupied cooling setpoint (AV-95)
:UH	Unoccupied heating setpoint (AV-96)
:CO	Cooling offset (AV-93)
:HO	Heating offset (AV-94)
:HS	Occupied heating setpoint (AV-100)
:CS	Occupied cooling setpoint (AV-99)
:AL	Override limit (AV-97)
:HI	Setpoint high limit (AV-91)
:LO	Setpoint low limit (AV-92)
:SP	Occupant-selected space temperature setpoint (AV-90)

Installer Setup Codes

(Press the SYSTEM block and hold down keys on either side of bottom middle key.)

120	Year, first 2 digits
130	Year, second 2 digits
140	Month
150	Day
160	Schedule format (BV-133)
280	Backlight control (BV-79)
320	Swap English/Metric (BV-69)
330	Daylight saving (AV-127)
500	Filter change reminder (AV-124)
510	RESERVED
520	RESERVED

540	Program periods (AV-129)
640	Clock format (BV-83)
670	Keypad lock (AV-128)
700	Sensed temperature offset (AV-138)
701	RESERVED
702	RESERVED
703	RESERVED
800	MS/TP MAC address
801	BACnet Device Instance first digit
802	BACnet Device Instance second and third digits
803	BACnet Device Instance fourth and fifth digits
804	BACnet Device Instance sixth and seventh digits

LIMITED WARRANTY

All products manufactured by Marley Engineered Products are warranted against defects in workmanship and materials for one year from date of installation, except heating elements which are warranted against defects in workmanship and materials for five years from date of installation. This warranty does not apply to damage from accident, misuse, or alteration; nor where the connected voltage is more than 5% above the nameplate voltage; nor to equipment improperly installed or wired or maintained in violation of the product's installation instructions. All claims for warranty work must be accompanied by proof of the date of installation.

The customer shall be responsible for all costs incurred in the removal or reinstallation of products, including labor costs, and shipping costs incurred to return products. Within the limitations of this warranty, inoperative units should be returned to Marley Engineered Products (see contact information below) and we will repair or replace, at our option, at no charge to you with return freight paid by Marley. It is agreed that such repair or replacement is the exclusive remedy available from Marley Engineered Products.

THE ABOVE WARRANTIES ARE IN LIEU OF ALL OTHER WARRANTIES EXPRESSED OR IMPLIED, AND ALL IMPLIED WARRANTIES OF MERCHANTABILITY AND FITNESS FOR A PARTICULAR PURPOSE WHICH EXCEED THE AFORESAID EXPRESSED WARRANTIES ARE HEREBY DISCLAIMED AND EXCLUDED FROM THIS AGREEMENT. MARLEY ENGINEERED PRODUCTS SHALL NOT BE LIABLE FOR CONSEQUENTIAL DAMAGES ARISING WITH RESPECT TO THE PRODUCT, WHETHER BASED UPON NEGLIGENCE, TORT, STRICT LIABILITY, OR CONTRACT.

Some states do not allow the exclusion or limitation of incidental or consequential damages, so the above exclusion or limitation may not apply to you. This warranty gives you specific legal rights, and you may also have other rights which vary from state to state.

Contact Marley Engineered Products in Bennettsville, SC, at 1-800-642-4328. Merchandise returned to the factory must be accompanied by a return authorization and service identification tag, both available from Marley Engineered Products. When requesting return authorization, include all catalog numbers shown on the products.

HOW TO OBTAIN WARRANTY SERVICE AND WARRANTY PARTS PLUS GENERAL INFORMATION

- | | |
|--------------------------------|--|
| 1. Warranty Service or Parts | 1-800-642-4328 |
| 2. Purchase Replacement Parts | 1-800-654-3545 |
| 3. General Product Information | www.marlymep.com |

Note: When obtaining service always have the following:

1. Model number of the product
2. Date of manufacture
3. Part number or description

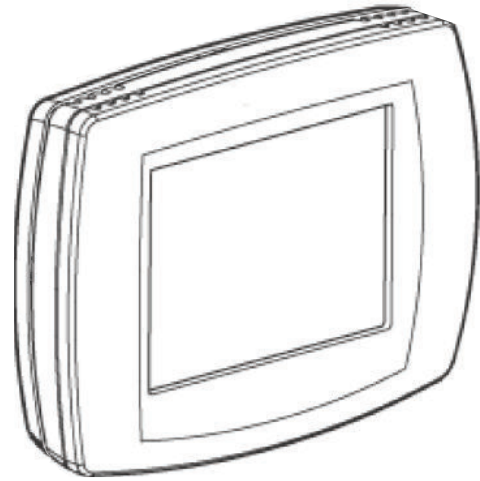


Marley®
Engineered Products

470 Beauty Spot Rd. East
Bennettsville, SC 29512 USA



Marley[®]
Engineered Products



Smart Series Plus

Guía de instalación y operación

INFORMACIÓN IMPORTANTE DE SEGURIDAD Y PRECAUCIONES EN LA INSTALACIÓN

Lea todas las instrucciones

Si no sigue todas las instrucciones, el equipo podría resultar dañado o presentar un peligro. Lea todas las instrucciones detenidamente antes de instalar el equipo.

Códigos y prácticas locales

Siempre instale el equipo de acuerdo con el Código Eléctrico Nacional y de manera aceptable para las autoridades locales competentes.

Sensibilidad electroestática

Este producto y sus componentes pueden ser susceptibles a las descargas electroestáticas (DEE). Utilice las técnicas de puesta a tierra apropiadas al manipular el producto. Si es posible, manipule el producto siempre tomándolo por sus componentes no eléctricos.

Prueba de seguridad de alto voltaje

Desde un primer momento, los electricistas experimentados siempre asumen que todos los sistemas de cableados pueden tener voltajes peligrosos. Se debe realizar un control de seguridad con un medidor o dispositivo de detección de voltaje confiable inmediatamente antes de comenzar a trabajar y al retomar el trabajo.

Peligrosidad de los rayos y el alto voltaje

La mayoría de los accidentes eléctricos con los cables de bajo voltaje ocurren ante una suba imprevista del voltaje. Los cables de bajo voltaje pueden llevar voltajes peligrosamente altos bajo condiciones inseguras. Nunca instale o conecte cables o equipos durante una tormenta eléctrica. Los cables que no tienen la protección apropiada pueden transportar un voltaje excesivo generado por un rayo durante varias millas. Todos los cables exteriores deben tener protectores de circuito de señal aprobados y con descarga a tierra, que deben instalarse de acuerdo con los códigos locales vigentes. Nunca instale cables o equipos parado sobre agua.

Separación de los cables y equipos

Se deben instalar todos los cables y controladores para minimizar la posibilidad de que haya un contacto accidental con otros cables potencialmente peligrosos y cables de luz y energía disruptiva. Nunca coloque cables de 24VCA o de comunicaciones cerca de otros cables eléctricos sin protección, pararrayos, antenas, transformadores o caños de vapor o agua caliente. Nunca coloque cables en un conducto, caja, canal o ducto u otro receptáculo que tenga circuitos eléctricos o de iluminación. Siempre separe correctamente los cables de comunicaciones de los demás cables eléctricos, según el código. Mantenga los cables y controladores a una distancia mínima de seis pies de cualquier carga inductiva grande (paneles de distribución eléctrica, balastos eléctricos, motores, etc.). Si no se siguen estas instrucciones, se podría causar una interferencia eléctrica y el sistema podría funcionar en forma errática.



ADVERTENCIA



Este equipo ha sido testeado y demostró cumplir con los límites para un dispositivo digital de clase A, según la parte 15 de la reglas FCC. Estos límites están destinados a brindar una protección razonable contra las interferencias nocivas cuando el equipo se instale en un entorno comercial. Este equipo genera, usa y puede irradiar energía de radiofrecuencia y, si no se instala y usa de acuerdo con el manual de instrucciones, puede causar interferencias nocivas en las comunicaciones por radio. Es probable que el uso de este equipo en un área residencial cause interferencias nocivas, en cuyo caso el usuario deberá corregir la interferencia a su propio cargo.

GUARDE ESTAS INSTRUCCIONES

ACERCA DE ESTE DOCUMENTO Y PUBLICACIONES RELACIONADAS

Este documento contiene información sobre la instalación y el cableado del Smart Series Plus en equipos, electricidad y canales de comunicación. También muestra cómo operar la interfaz de usuario.

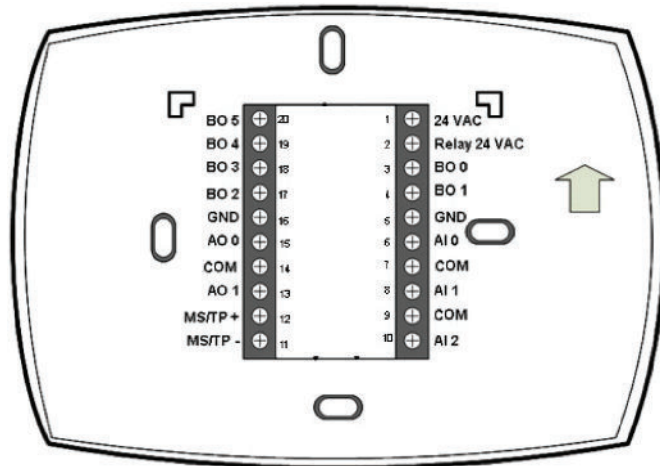
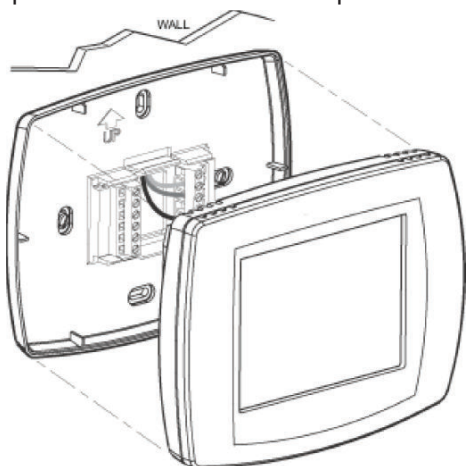
IMPORTANTE: Siempre instale el equipo de acuerdo con el Código Eléctrico Nacional y de manera aceptable para las autoridades locales competentes. Ninguna de las pautas, instrucciones, prácticas de instalación u otra información contenida en esta guía reemplaza o modifica los códigos y prácticas locales de las autoridades competentes.

Inspección de los cables del Smart Series Plus

Para desmontar la delantera del Smart Series Plus, coloque el pulgar en la parte superior e inferior del termostato y tire hacia adelante. El Smart Series Plus y sus componentes electrónicos se separarán de la placa de

la pared como se muestra abajo.

Inspeccione los cables para verificar que estén bien conectados y ninguno se haya aflojado o desconectado.



Número de contacto de la placa de la placa	Contacto de la placa de la placa	Conexión del bloque de terminales TB2 (para CALENTADORES DE UNIDAD DE GABINETE)	Conexión del tablero de terminales de control (para CALENTADORES MUH / HUHAA)	Función de conexión
1	24 VAC	41	C1	Alimentación para los componentes electrónicos del controlador del Smart Series Plus
2	Relé 24 VAC	Ninguno	Ninguno	Alimentación para los relés de salida del controlador del Smart Series Plus
3	BO 0	47	T3	Relé de retardo del ventilador— NOTA: La clavija G no hará funcionar el motor en MUH / HUHAA, sin un accesorio de relé de ventilador de 24 V (se vende por separado).
4	BO 1	Ninguno	Ninguno	
5	GND	44	C4	Retorno de energía, o "común", para el controlador Smart Series Plus
6	AI 0	Ninguno	Ninguno	
7	COM	Ninguno	Ninguno	
8	AI 1	Ninguno	Ninguno	
9	COM	Ninguno	Ninguno	
10	AI 2	Ninguno	Ninguno	
11	MS/TP -	42	T6	BMS-
12	MS/TP +	43	T5	BMS+
13	AO 1	Ninguno	Ninguno	
14	COM	39	Ninguno	
15	AO 0	Ninguno	Ninguno	
16	GND	Ninguno	Ninguno	
17	BO 2	Ninguno	Ninguno	
18	BO 3	45	T1	1ra etapa de calefacción
19	BO 4	46	T2	2da Heat Stage
20	BO 5	Ninguno	Ninguno	

Tabla 1: Cableado de la placa trasera

Para volver a armar, alinee los bloques terminales de la placa de la pared con los pines de la parte trasera del Smart Series

Plus y empuje la placa delantera para que encaje en la placa de la pared.

Diagrama de cableado

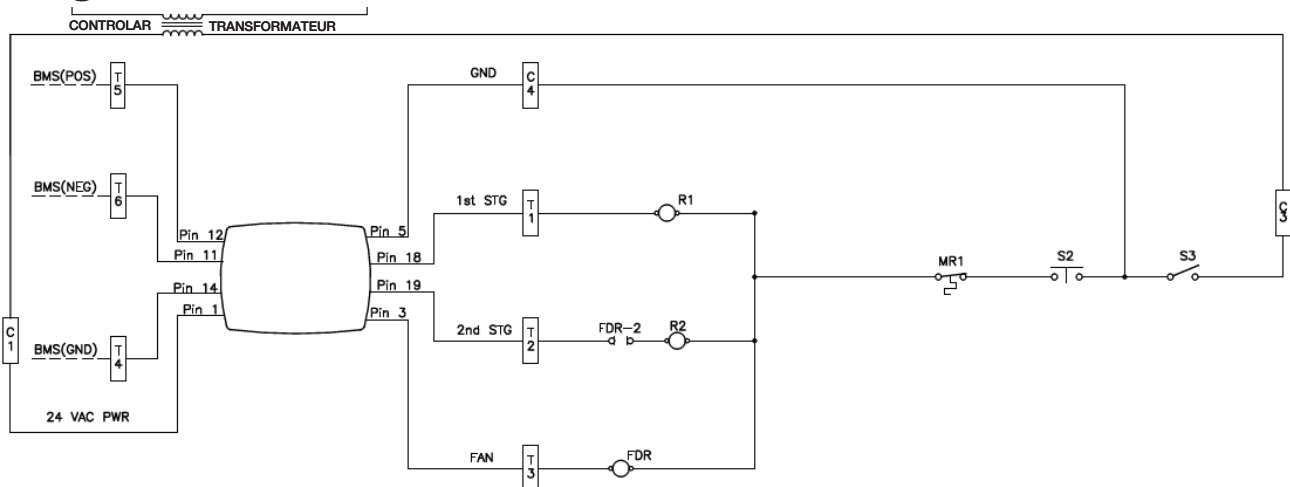
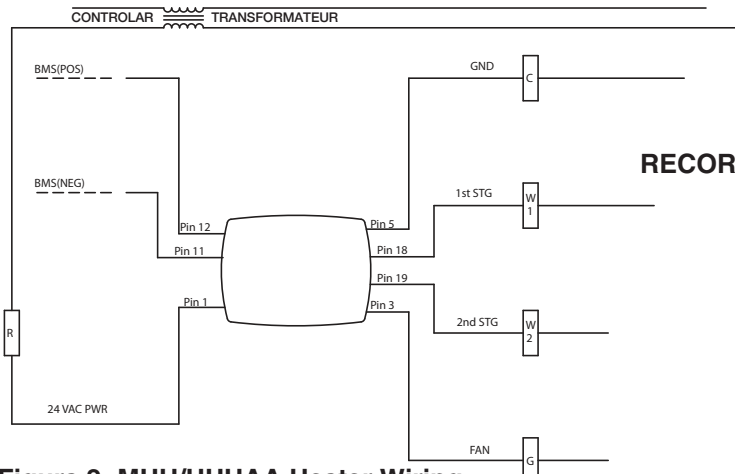


Figura 1: Cableado del calentador de la unidad de gabinete



RECORDATORIO: Desconectar el termostato interno instalado en fábrica en MUH / HUHAA, antes de conectar el Smart Series Plus según la figura 2.

NOTA: La clavija G no hará funcionar el motor en MUH / HUHAA, sin un accesorio de relé de ventilador de 24 V (se vende por separado).

Figura 2: MUH/HUHAA Heater Wiring

Cableado de la LAN MS/TP

El Smart Series Plus se comunica por el Sistema BACnet de todo el sitio a través de una LAN MS/TP de par trenzado que utiliza el estándar de comunicación EIA-485.

Los dispositivos del Smart Series Plus son dispositivos maestros en la LAN MS/TP.

Tabla 2: Datos sobre la LAN MS/TP

Velocidad de transmisión	9.6, 19.2, 38.4, 76.8Kbps (configurado en el controlador global).
Configuración	Bus.
Cableado	BACnet especifica lo siguiente. Cables blindados de par trenzado con una impedancia característica de entre 100 y 130W. La capacitancia distribuida entre los conductores debe ser inferior a 30 pF/pie (100 pF/pie). La capacitancia distribuida entre el conductor y el blindaje debe ser inferior a 60 pF/pie (200 pF/m). Se aceptan blindajes metálicos o trenzados.
Longitud de segmentos	4000 ft. (1071 m.) por segmento usando el cable recomendado.
Cantidad máxima de dispositivos en total	Depende de si los dispositivos son maestros o esclavos. La cantidad máxima de dispositivos maestros es 128. La cantidad máxima de dispositivos esclavos o dispositivos generales (mezcla de maestros y esclavos) es 255. Esto incluye a los Smart Series Plus, que se consideran maestros.
Cantidad máxima de dispositivos por segmento	Depende de la carga unitaria relativa de los dispositivos (ver "Terminación del cableado de la LAN MS/TP").
Repetidoras	Se requiere al hacer tendidos de más de 4000 pies. Tres repetidoras como máximo entre dos dispositivos.
Resistencias terminales	Se requieren resistencias coordinadas en cada extremo del bus del segmento cableadas a través del (+) y (-). Use resistencias de precisión coordinada de 1/4W±1%/ 80 - 130 Ohms.
Puesta a tierra del blindaje	Se requieren resistencias coordinadas en cada extremo del bus del segmento cableadas a través del (+) y (-). Use resistencias de precisión coordinada de 1/4W±1%/ 80 - 130 Ohms.

PRECAUCIÓN: No confunda las resistencias terminales. Asegúrese de que ambas resistencias del segmento tengan el mismo valor.

NOTA: Generalmente, Blanco es Datos - y Negro es Datos +.

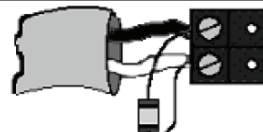


Figura 9: Detalle de la resistencia terminal

Configuración

Una vez instalado y cableado, configure el Smart Series Plus desde su pantalla táctil.

Ajuste de fecha y hora

Cuando el controlador se activa por primera vez, deberá configurar la fecha y hora. Estas vienen configuradas de fábrica pero es posible que la alimentación de fábrica se haya agotado. En ese caso, ajuste la fecha y hora.

Para ajustar la hora

1. Toque Reloj al pie de la pantalla.
2. Use las flechas para ajustar el año, mes y día.
3. Presione LISTO.
4. Ajuste la hora y presione LISTO.

Para ajustar manualmente la fecha y hora después de la configuración inicial, ver “Operación del reloj” en la página 6.

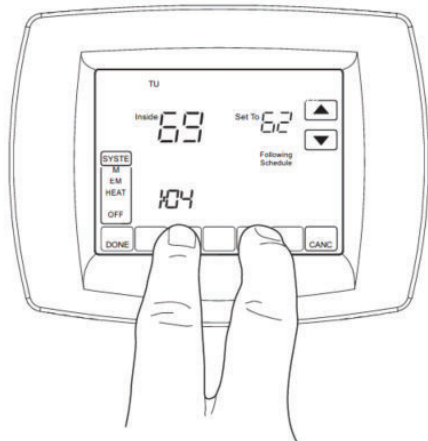
Configuración de la dirección de MAC e instancia del dispositivo

La dirección de MAC predeterminada de fábrica es 0. Las direcciones de MAC válidas son 0-127. La instancia del dispositivo predeterminada es 0009999. Las instancias del dispositivo válidas son 0-4194302.

Nota: La instancia del dispositivo también se puede configurar usando un Supervisor de BACnet.

Para configurar la dirección de MAC y la instancia del dispositivo en la pantalla

1. Desde la pantalla de inicio, presione SISTEMA (a la izquierda de la pantalla). Aparecerán cinco teclas táctiles en blanco al pie de la pantalla.
2. Mantenga presionadas las dos teclas en blanco que están a cada lado de la tecla central durante aproximadamente cinco segundos (ver la Figura de abajo).



Aparecerá la pantalla de configuración del instalador (ISU). Abajo a la izquierda se mostrará un código ISU, que es un código de cuatro dígitos que comienza con cero. La configuración actual se muestra abajo a la derecha.

3. Use la flecha abajo que está al lado del código de configuración del instalador para llegar al código ISU 800.
4. Use las flechas que están al lado de la configuración actual para configurar el código ISU 800 (dirección de MAC) en un valor entre 0 y 127.



Figure 11: ISU Pantalla

5. Configure el código ISU 801 (primer dígito de la instancia del dispositivo) en un valor entre 0 y 4.
- Nota:** La instancia del dispositivo se configura ingresando valores en cuatro códigos ISU diferentes.
6. Configure el código ISU 802 (segundo y tercer dígito de la instancia del dispositivo) en un valor entre 00 y 99.
 7. Configure el código ISU 803 (cuarto y quinto dígito de la instancia del dispositivo) en un valor entre 00 y 99.
 8. Configure el código ISU 804 (sexto y séptimo dígito de la instancia del dispositivo) en un valor entre 00 y 99.
 9. Presione Listo para salir de la configuración del instalador.

Por ejemplo, si desea configurar la dirección de MAC en 15 y la instancia del dispositivo en 1876, usará la siguiente configuración:

Código ISU 800=15
Código ISU 801=0
Código ISU 802=00
Código ISU 803=18
Código ISU 804=76

Códigos de configuración del instalador (ISU)

El modo de configuración del instalador permite acceder a funciones específicas de la instalación de un Smart Series Plus. Algunos parámetros de la configuración del Smart Series Plus se pueden alterar desde las pantallas de ISU. También se puede acceder a los parámetros de ISU vía BACnet.

Puede requerir un PIN para acceder al modo ISU configurando el AV-133 con un número de cuatro dígitos sin ceros.

Para acceder a las pantallas de ISU

1. Desde la pantalla de inicio, presione SISTEMA (a la izquierda de la pantalla).
2. Aparecerán cinco teclas táctiles en blanco al pie de la pantalla, entre las teclas Listo y Cancelar. Mantenga presionadas las dos teclas en blanco que están a cada lado de la tecla central durante aproximadamente cinco segundos.
3. Si necesita un PIN, use las flechas de arriba para seleccionar los dos primeros dígitos del código y las flechas de abajo para seleccionar el tercer y cuarto dígito del código. Luego, presione LISTO.

Aparece la pantalla de ISU.

4. Use las flechas para seleccionar los parámetros y valores. Ver los detalles en la Tabla 2 siguiente.

5. Presione LISTO.

Nota: Después de cinco minutos de inactividad, la pantalla de ISU vuelve a la pantalla principal.

Tabla 2: Parámetros de ISU

Código de parámetro	Descripción	Valores permitidos
120	Año; primeros 2 dígitos	19-21
130	Año; segundos 2 dígitos	00-99 (00-54 if ISU 200=21)
140	Mes	1-12
150	Día	1-31
160	Formato de calendariot BV-133	0 – no programmable (BV-133=0) 4 – 7 días programmable (BV-133=1)
280	Control de retroiluminaciónl BV-79	0 – se enciende por 20 segundos después de presionar la tecla 1 – baja siempre el brillo después de presionar la tecla
320	Intercambio BV-69 Anglosajón/Métrico BV-69	1 – Muestra las unidades opuestas a las especificadas en el encabezado de DDC
330	Horario de verano AV-127	0 – desactivado; sin ajustes automáticos 1 – calendario pre 2007 2 – calendario a partir de 2007
500	Recordatorio de cambio de filtro AV-124	0 – recordatorio no usado 1 – 10 días 2 – 30 días 3 – 60 días 4 – 90 días 5 – 120 días 6 – 365 días
540	Períodos del programa AV-129	2 – Despertar/Dormir 4 – Despertar/Dormir /Retornar/Dormir
640	Formato del reloj BV-83	12 – 12 horas (BV-83=0)
670	Bloqueo del teclado AV-128	0 – sin bloqueo 1 – Acceder solo a la configuración de la temperatura 2 – totalmente bloqueado
700	Desviación de la temperatura ambiente det (AV-138)800	-4 to +4 grados F 0-127
800	MS/TP MAC	0-127
801	Instancia del dispositivo de BACnet – primer dígito	0-4
802	Segundo y tercer dígito de la instancia del dispositivo de BACnet	00-99 0-127
803	Cuarto y quinto dígito de la instancia del dispositivo de BACnet	00-99 00-99
804	Sexto y séptimo dígito de la instancia del dispositivo de BACnet	00-99 00-99

Códigos de servicio de campo fijados

El modo de servicio de campo permite a los técnicos consultar y comandar variables operativas clave en el Smart Series Plus desde la pantalla táctil. Para ingresar al modo de servicio de campo, el técnico presiona una secuencia específica de teclas en el Smart Series Plus.

En el modo de servicio de campo, el técnico usa las flechas izquierdas para desplazarse por los códigos de datos y las flechas derechas para cambiar el valor asociado a un código.

En la parte inferior izquierda de la pantalla LCD se muestra el código de dos dígitos y en el área principal se muestra el valor del dato. Dentro de la descripción de cada aplicación hay una lista predeterminada de códigos de datos.

Nota: Al usar la interfaz de usuario local para cambiar aplicaciones (AV-49), los valores predeterminados de la aplicación NO cambian y deben modificarse manualmente.

Se puede impedir que los usuarios accedan al modo de servicio de campo activando el BV-68 (ON). También se

puede requerir un código PIN para ingresar al modo de servicio de campo configurando el AV-132 con el número de PIN deseado. El modo de servicio de campo finaliza automáticamente si las teclas no tienen actividad por cinco minutos.

Configuración de los códigos del servicio de campo

Para configurar los códigos del servicio de campo

1. Desde la pantalla de inicio, presione SISTEMA (a la izquierda de la pantalla)
2. Mantenga presionada la tecla central inferior (en blanco) por unos cinco segundos.
3. Si necesita un PIN, use las flechas de arriba para

Descripción General Operativa

El Smart Series Plus puede funcionar en tres modalidades –Punto de Ajuste, Punto de Ajuste de Ocupación Simple y Punto de Ajuste de Ocupación Doble.

Funciones comunes

Esta sección describe las funciones comunes a todas las modalidades de operación.

Funcionamiento de la retroiluminación de la pantalla LCD

El BV-79 controla el funcionamiento de la retroiluminación. Si está configurado en OFF (desactivado), la retroiluminación se enciende cuando se presiona una tecla y permanece encendida durante 20 segundos después de que se dejan de tocar las teclas. Si el BV-79 está configurado en ON (activado), la retroiluminación está constantemente encendida.

Funcionamiento del reloj

El reloj en tiempo real del Smart Series Plus indica la fecha y hora y permite implementar horarios de verano y cronogramas. Si se corta la electricidad, tiene un súper capacitor que alimenta al reloj por diez días. Si se pierden la fecha y la hora, el Smart Series Plus mostrará las pantallas para configurar la fecha y hora al encenderlo.

Nota: El reloj en tiempo real no está asociado con la herramienta de mantenimiento de hora de la CPU. Solo afecta a los ítems listados en esta sección.

La configuración del horario de verano (DLS) puede ser controlada por un Smart Series Plus o por un Supervisor de BACnet. Si el parámetro ISU 330 está configurado en no cero, el Smart Series Plus controla la configuración del DLS. Si el ISU 330 está en cero, el DLS es controlado por un Supervisor de BACnet.

El reloj acepta sincronizaciones temporales de un Supervisor de BACnet. Si está configurado en DDC, también se puede configurar la fecha y hora manualmente usando la pantalla. Para que un usuario no pueda configurar el reloj, el BV-116 debe estar configurado en 1.

El comando última hora, ya sea desde la pantalla del usuario o BACnet, tiene prioridad.

Para ajustar el reloj en tiempo real

1. Presione RELOJ.
2. Use las teclas de flechas para seleccionar un año, mes y día.
3. Presione LISTO.
4. Seleccione una hora.
5. Presione LISTO.

seleccionar los dos primeros dígitos del código y las flechas de abajo para seleccionar el tercer y cuarto dígito del código. Luego, presione **LISTO**.

Aparece la pantalla del servicio de campo.

4. Presione las flechas arriba o abajo de la izquierda hasta que aparezca el código deseado. Consulte los códigos en la Tabla 23.
5. Presione las flechas arriba o abajo de la derecha para ajustar el valor asociado con el código.
6. Presione las flechas arriba o abajo de la izquierda para aceptar el cambio e ir a otro código.
7. Presione LISTO para salir del modo de servicio. Funcionamiento general

Navegación de la tecla MÁS

La tecla **MÁS** permite al programador ofrecer pantallas adicionales a los usuarios. Cuando se permiten visualizar estas pantallas adicionales, la tecla **MÁS** aparece en la pantalla principal. Las pantallas que se pueden habilitar son:

- Humedad interior

Cuando el usuario presiona **MÁS**, aparece la primera pantalla habilitada. Si vuelve a presionar **MÁS**, aparece la pantalla siguiente.

Limpieza de la pantalla táctil

Si se necesita limpiar la pantalla, el usuario presiona **PANTALLA**. La pantalla se bloquea por 30 segundos para que el usuario pueda limpiarla sin presionar ninguna tecla. Cuando la pantalla diga 0, presione **PANTALLA** para continuar limpiándola o **LISTO** para terminar. Use un limpiador de vidrios no abrasivo.

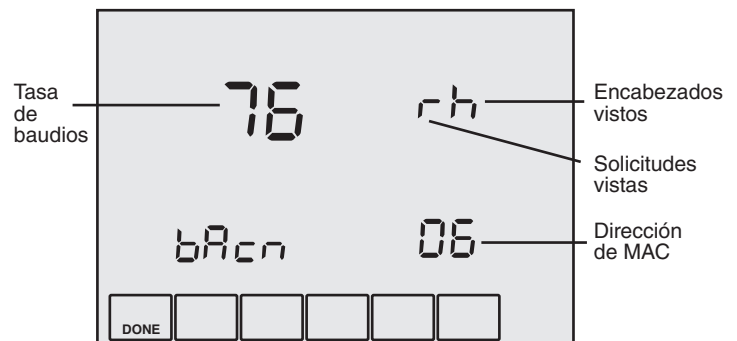
Verificación de la comunicación MS/TP.

Se puede verificar la comunicación MS/TP desde la pantalla.

Plus indicará si los paquetes MS/TP y los encabezados han sido vistos, así como la tasa de baudios y la dirección de MAC.

Para verificar la comunicación MS/TP

1. Entre al modo de servicio de campo. Ver “Configurar códigos de servicio de campo.”
2. Asegúrese de que se muestre el código UC.
3. Presione la tecla en blanco que suele decir MÁS (el botón de abajo que está más a la derecha).
4. Presione la flecha abajo cercana al código UC. Aparecerá la pantalla de comunicación MS/TP.



5. Presione **LISTO** dos veces para salir.

Modos de ocupación configurables

- Bloqueo del SISTEMA: Selección AUTO/DESACTIVADO (Ocupado/Desocupado)
- Modo de ocupación (AV-123=0, predeterminado): Programa los estados de ocupación
- Modo de puntos de ajuste (AV-123=1): Programa los puntos de ajuste
- Modo de punto de ajuste doble (AV-123=2): Puntos de ajuste dobles cuando está ocupado
- Programas internos habilitados cuando BV-133 está activado o ISU 160=4
- Programas BMS habilitados cuando BV-56 está activado.

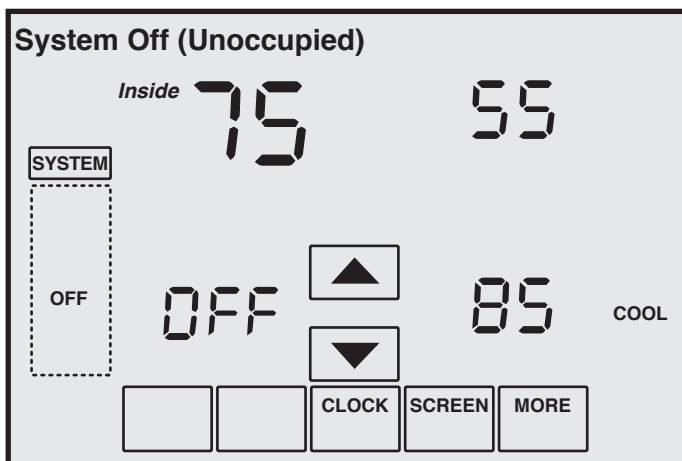
Secuencias de operación

Las salidas del controlador están deshabilitadas cuando Habilitar Salidas [OE] BV-2 DESACTIVADO/ACTIVADO está DESACTIVADO (OFF). No habilite las salidas hasta no estar seguro de que el cableado y la configuración estén correctos y completos.

Control del bloqueo del SISTEMA (BV-102)

Cuando la unidad se configura para funcionar en Modo

Figura 31 Pantalla: Bloqueo del SISTEMA DESACTIVADO; Bloqueo del SISTEMA AUTO

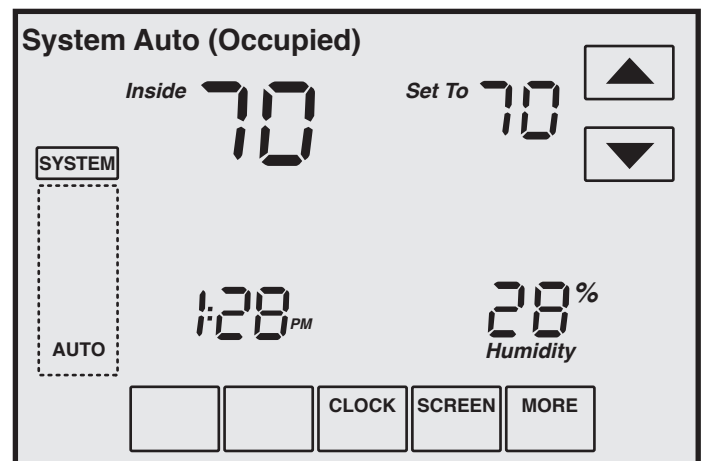


de Ocupación, el Bloqueo del SISTEMA permite al usuario dirigir el control del estado de ocupado o desocupado desde la pantalla del controlador. Si selecciona "Auto", el controlador pasa al estado Ocupado. Si selecciona "OFF", el controlador cambia a Desocupado.

El Bloqueo del SISTEMA se puede ocultar desactivando el BV-102. Cuando el Bloqueo del SISTEMA está oculto, los estados de ocupación son controlados exclusivamente por los cronogramas a bordo o del BMS.

Si los cronogramas a bordo o del BMS están habilitados y se selecciona "OFF", se anulará el estado programado del controlador y se forzará a la unidad hacia el estado Desocupado. Si no quiere que el usuario pueda hacer esto, desactive el BV-102 para ocultar el Bloqueo del Sistema.

Opcionalmente, puede modificar el comportamiento de la configuración "OFF" del Bloqueo del SISTEMA para que, en lugar de colocar al controlador en estado Desocupado, el controlador apague el ventilador. Cuando el ventilador está apagado, se deshabilita la calefacción y enfriamiento. El ventilador seguirá apagado hasta que el usuario coloque el Bloqueo del SISTEMA en "Auto". Active el BV-10 para habilitar esta opción.



Configuración de cronogramas

El BACnet FF puede configurarse para que cumpla con un cronograma interno configurando su parámetro 160 o BV-133. El BACnet FF también puede ser programado por un BMS. Active el BV-56 para habilitar los cronogramas del BMS. El BV-133 cambia a desactivado cuando se activa el BV-56.

Si el cronograma interno está DESACTIVADO, el usuario puede ajustar el punto de ajuste (dentro de los límites).

Los cronogramas se guardan en memoria flash, por lo que persisten al apagar y encender la unidad.

Control de ocupación

(AV-123 = 0, predeterminado)

El controlador funciona en estado Ocupado cuando el Comando Ocupado (BV-64) se ACTIVA en cualquiera de los siguientes casos:

- Cuando el usuario selecciona el Bloqueo del SISTEMA "AUTO" del controlador.
- Por un cronograma interno local, que escribe al BV-40 en la prioridad 16

- Por un comando enviado desde un programa del BMS o una anulación de un operador del BMS, escribiendo al BV-40.
Nota: Si se permite al usuario comandar el Bloqueo del SISTEMA, este comando está en la prioridad 10. Los cronogramas del BMS deben escribir a una de las prioridades 12-16 del BV-40 para evitar anular el comando del usuario.
- Cuando el ocupante ha iniciado una anulación presionando las flechas de anulación de la pantalla táctil.

Los Puntos de Ajuste Desocupados se activan cuando el usuario configura el Bloqueo del SISTEMA del controlador en "DESACTIVADO" ("OFF").

Al funcionar en estado Desocupado, se pueden presionar las flechas de anulación arriba y abajo para forzar al controlador a pasar al estado Ocupado por hasta 4 horas (valor predeterminado). El límite del tiempo de la anulación (AV-97) puede ajustarse desde un mínimo de horas hasta un máximo de 9,5 horas.

Si se activa el BV-9, el controlador puede pasar al estado Ocupado cada vez que se pierda la comunicación con el BMS por más de 5 minutos. El comando para pasar al estado Ocupado se implementa activando el BV-64.

Puntos de ajuste de ocupado, desocupado y calefacción y enfriamiento en espera*

Al funcionar en estado Desocupado, los puntos de ajuste de enfriamiento y calefacción vuelven a sus valores específicos:

- Punto de ajuste de enfriamiento actual (AV-99)=Punto de ajuste de enfriamiento desocupado (AV-95)
- Punto de ajuste de calefacción actual (AV-100)=Punto de ajuste de calefacción desocupado (AV-96)

Al funcionar en estado Desocupado, los puntos de ajuste de enfriamiento y calefacción se calculan como desviaciones del punto de ajuste del espacio que ajusta el usuario (AV-90):

- Punto de ajuste de enfriamiento actual (AV-99)=AV-90másAV-93más Desviación de demanda (AV-106)
- Punto de ajuste de calefacción actual (AV-100)=AV-90menosAV-94 menos Desviación de demanda (AV-106)

Al funcionar en modo En Espera, el punto de ajuste de enfriamiento actual y el punto de ajuste de calefacción actual se calculan igual que en el modo ocupado, como se describe arriba. Pero, la desviación de la operación en espera ([SO]:,AV-19) se transfiere a la Desviación de demanda (AV-106) antes de los cálculos, lo que genera puntos de ajustes relajados durante la operación en espera.

El usuario solo puede ajustar el valor del Punto de Ajuste del Espacio (AV-90) hasta el Límite Superior del Punto de Ajuste (AV-91) y desde el Límite Inferior del Punto de Ajuste (AV-92).

*La operación de enfriamiento es solo soplador, sin calor

Tabla 21: Control de los Valores de los Puntos de Ajuste en Ocupación

Código de Campo	Descripción
[:SP]	AV-90 Punto de Ajuste (SP) del Espacio
[:HI]	AV-91 Límite Superior del SP
[:LO]	AV-92 Límite Inferior del SP
[:CO]	AV-93 Desviación del SP de Enfriamiento
[:HO]	AV-94 Desviación del SP de Calefacción
[:UC]	AV-95 SP de Enfriamiento Desocupado
[:UH]	AV-96 SP de Calefacción Desocupado
[CS]	AV-99 SP de Enfriamiento actual calculado
[HS]	AV-100 SP de Calefacción actual calculado
--	AV-106 Desviación de Demanda(el valor se actualiza a AV-106, AV-99, AV-100)
[SO]	AV-19 Desviación en espera;mínimo 0, máximo 6 grados DDC transfiere el valor a AV-106 degrees DDC transfers value to AV-106

Ajuste de la compensación de calefacción y refrigeración

La temperatura ambiente será diferente a la temperatura establecida. Cuando la calefacción es consistentemente demasiada alta o baja en comparación con la temperatura establecida, el usuario puede disminuir o aumentar el valor de la Compensación de calefacción [:HO], lo que reduce (o aumenta) el punto de ajuste de calefacción [HS], punto en el que se enciende la calefacción. Recuerde que [HS] = [:SP] - [:HO], donde [:SP] es la temperatura objetivo ordenada por el usuario de la habitación. En la Pantalla de servicio de campo, ajuste el código de campo [:HO] de 1 a 99 al número de grados de temperatura a restar de [:SP], el resultado de esta resta siendo la temperatura [HS] en la que se activará el modo de calefacción. Por ejemplo, si [:SP] = 70, el ajuste [:HO] = 5 ordena que la calefacción se encienda si la temperatura ambiente cae a 65°F o menos. Además, debe verificar que el modo de control del ventilador esté configurado correctamente (FC=3). Consulte la Tabla 23.

Si el ventilador (sin calefacción) se enciende con demasiada frecuencia o muy pocas veces para la comodidad del usuario, el usuario puede aumentar o disminuir el valor de Compensación de enfriamiento [:CO] que modifica el punto de ajuste de enfriamiento [CS] sobre el que gira el ventilador (sin calefacción). Recuerde que [CS] = [:SP] + [:CO], donde [:SP] es la temperatura objetivo ordenada por el usuario de la habitación. En la Pantalla de servicio de campo, ajuste el código de campo [:CO] de 1 a 99, valor que representa los grados de compensación para agregar a [:SP]. Por ejemplo, si [:SP] = 70, el ajuste [:CO] = 5 ordena al ventilador (sin calefacción) que se encienda si la temperatura ambiente alcanza o excede los 75°F. Además, debe verificar que el modo de control del ventilador está configurado correctamente (FC=3). Consulte la Tabla 23.

Control de los puntos de ajuste (AV-123 = 1)

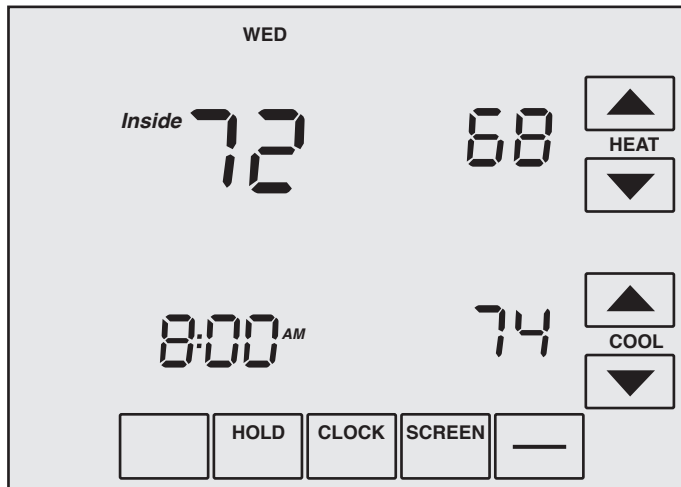
En el modo punto de ajuste, el controlador emula lógicamente a los termostatos residenciales. La temperatura ambiente se controla en "SP de Enfriamiento del Modo SP" (AV-108) y "SP de Calefacción del Modo SP" (AV-109). Estos puntos de ajuste pueden escribirse usando BACnet. Cada período programado está compuesto por una hora de inicio, un punto de ajuste de calefacción y un punto de ajuste de enfriamiento. La cantidad máxima de períodos diarios se configura usando el parámetro ISU 540 (AV-129). El valor 2 indica dos períodos por día –Despertar y Dormir. Un valor 4 indica cuatro períodos por día –Despertar, Salir, Retornar y Dormir. El programador selecciona el inicio del último período válido previo a la hora actual como período de uso. Con BACnet no se puede acceder a los cronogramas en el modo punto de ajuste. La única forma de ver, editar y guardar un cronograma es desde la pantalla LCD de la unidad.

Nota: Los puntos de ajuste se pueden escribir usando BACnet pero no se puede acceder a los cronogramas con BACnet.

Si el modo En Espera está activo, los puntos de ajuste de calefacción y enfriamiento son ajustados por la desviación en espera ([SO]:,AV-19).

Nota: El Bloqueo del SISTEMA está oculto cuando el **controlador está en modo de control de Punto de Ajuste.**

Figura 32: Pantalla de Modo Punto de Ajuste: Ventilador de una velocidad



El Punto de Ajuste programado se anula en el Modo Punto de Ajuste.

La anulación se realiza usando uno de los tres modos siguientes. Presione temporariamente una flecha junto a un punto de ajuste. Arriba del visor de la hora aparecen las palabras “Suspender la unidad de temperatura”, que muestra la hora de finalización predeterminada (el inicio de la próxima transición del programa). Use las flechas para ajustar la hora de finalización. Espere unos segundos. Las flechas junto a la hora de finalización desaparecen y la anulación surte efecto.

Presione permanentemente SUSPENDER. Debajo del visor de la hora aparecen las palabras “Suspensión Permanente” y la anulación surte efecto.

Vacaciones- en estado de Suspensión Permanente, presione SUSPENDER. Arriba del visor de la hora aparecen las palabras “Suspender la unidad de temperatura”. Use las flechas para seleccionar la cantidad de días (1-365) que quiere que dure la anulación. Espere unos segundos. Las flechas junto a la hora de finalización desaparecen y la anulación surte efecto.

Si presiona **CANCELAR**, el BACnet FF regresa a la programación actual.

El estado de anulación del modo Punto de Ajuste (AV-113 y MV-13), la suspensión (AV-130) y la cantidad de días de vacaciones restantes (AV-130) pueden ajustarse en forma remota con BACnet o DDC.

Configurando el BV-115 y el BV-130 respectivamente, se puede deshabilitar la posibilidad de que el usuario configure suspensiones permanentes o por vacaciones.

Modo Punto de Ajuste Doble (AV-123 = 2)

En el modo punto de ajuste doble, se usan las siguientes cantidades:

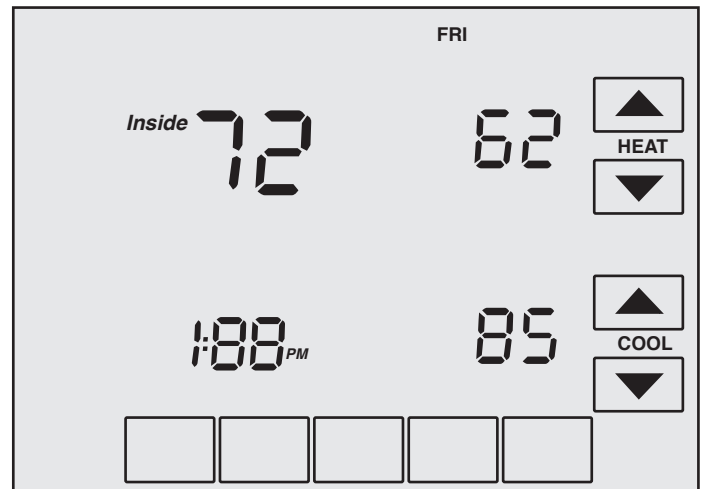
- SP de Calefacción Ocupado (AV-109)
- SP de Enfriamiento Ocupado (AV-108)
- SP de Calefacción Desocupado (AV-96)
- SP de Enfriamiento Desocupado (AV-95)
- Límite del SP de Calefacción (la máxima configuración del punto de ajuste de calefacción) (AV-92)
- Límite del SP de Enfriamiento (la mínima configura-

ción del punto de ajuste de enfriamiento) (AV-91) V-109 y AV-108 se usan para controlar los SP de Enfriamiento Ocupado (solo soplador) y Calefacción Ocupado. Ambos pueden escribirse con BACnet o desde la pantalla del dispositivo. Cuando el espacio está ocupado (BV-67 = Activo), AV-109 y AV-108 se transfieren a los SP de calefacción y enfriamiento actuales (AV-100 y AV-99).

¡IMPORTANTE! El DDC no debe usar el AV-109 o AV-108 directamente. Cuando el espacio está desocupado, los SP de Calefacción y Enfriamiento Desocupado (AV-96 y AV-95) se transfieren a los SP de calefacción y enfriamiento actuales (AV-100 y AV-99).

Los usuarios no pueden ajustar los SP de Calefacción y Enfriamiento Desocupado pero sí se pueden ajustar usando el modo de servicio de campo o una estación de operador. Los SP de calefacción y enfriamiento desocupado no se transfieren a AV-109 y AV-108 durante los períodos de desocupación.

Figura 33: Pantalla de Punto de Ajuste Doble en Modo Ocupado: Punto de Ajuste de Calefacción Ocupado AV-109, Ajustable por el Usuario y Punto de Ajuste de Enfriamiento Ocupado AV-108; Ajustable por el Usuario.



tura y humedad de OSA en pantallas siguientes.

La escritura en AV-109 y AV-108 está limitada por los Límites Superior e Inferior del Punto de Ajuste (AV-91 y AV-92) y también se limita al punto de ajuste de calefacción inferior al punto de ajuste de enfriamiento por un grado como mínimo.

Control del modo ventilador

Modo de ocupación

Durante el modo de ocupación, el ventilador funciona según el Modo de Ventilador seleccionado.

- Modo de Ventilador AV-17 = 1: El ventilador funciona continuamente para ventilación.
- Modo de Ventilador AV-17 = 2: El ventilador funciona continuamente para enfriamiento y a demanda para calefacción. Cuando está en modo Enfriamiento, el ventilador funciona continuamente. Cuando está en Calefacción, el ventilador se enciende solo cuando la señal de calefacción le indica que se encienda.
- Control del Ventilador AV-17 = 3: El ventilador se enciende cuando se selecciona enfriamiento o calefacción o durante el modo Desocupado solo cuando el enfriamiento o la calefacción se lo demandan.

Modo de punto de ajuste

- AV-227 =1: El ventilador se enciende a demanda en enfriamiento y calefacción
- AV-227 =2: El ventilador funciona continuamente.

Control analógico de la velocidad del ventilador (Opcional)

La salida analógica de la velocidad del ventilador AO-1 aumentará de 0 a 100% según la demanda de la señal de calefacción o enfriamiento.

Nota: Cuando está en modo activado, el motor de velocidad variable funciona a las RPM mínimas incluso si AO-1 es cero.

Puntos de ajuste para calefacción y enfriamiento en espera (solo soplador)

El estado En Espera es una función del modo de Ocupación para ahorrar energía. Ocurre cuando el espacio está programado como Ocupado, pero los sensores detectan que no hay seres humanos en el espacio. En este caso, la Desviación En Espera (SO) relaja los puntos de ajuste de calefacción (HS) y enfriamiento (CS). Cuando la entrada En Espera está activa, el economizador es controlado y se cierra por completo. El valor de la Desviación En Espera (SO) puede configurarse entre 0 y 12 grados.

Ejemplos: Si [:CS] = 72, [:HS] = 69, y [SO] = 4 entonces los puntos de ajuste se relajan a [:CS] = 76, y [:HS] = 65.

Estado ocupado en espera, contactos cableados

Se cablea un contacto de puerta/ventana, una tecla de luz o un sensor PIR a la entrada en espera BI-1. La polaridad del interruptor normalmente abierta o cerrada se configura con el BV-3 (uL). Desactive el BV-3 para los contactos normalmente abiertos y actívelo para los contactos normalmente cerrados. Cuando el controlador está en estado Ocupado y la entrada En Espera (BI-1) se activa, el estado de la sala cambia a estado En Espera Ocupado (consultar los SP calculados para Calefacción y Enfriamiento En Espera, más arriba). También se puede configurar un sistema de BMS para monitorear el BI-1 para alarmas de puertas/ventanas entreabiertas.

Lógica del estado En Espera: En el estado En Espera, el BI-1 está activo (ej, una ventana está abierta). El BV-4 está activo y el valor de la Desviación En Espera (SO) AV-19 se transfiere a la Desviación a Demanda, AV-106. El valor predeterminado de (SO) AV-19 es 4, el mínimo es 0 y el máximo es 12.

Estado ocupado en espera, contactos inalámbricos (solo TB3026B-W)

La interfaz del controlador inalámbrica configura al BV-149 en activo, anulando la entrada cableada del BI-1, que ya no funciona como control en espera. Si se necesita un funcionamiento en espera normal, el BV-148 debe desactivarse para que el BI-1 tenga el control en espera como lo hace en la versión cableada. Para detectar la ocupación de la sala, se pueden configurar y conectar al controlador hasta 3 sensores de movimiento PIR inalámbricos. Para monitorear las ventanas o puertas abiertas y cerradas, se pueden configurar y conectar al controlador hasta 8 sensores de puertas/ventanas. Cuando el controlador está configurado como Ocupado, si se abre o cierra alguna puerta o ventana y no se detecta movimiento en 180 segundos, el estado de la sala pasa a Ocupado En Espera. El controlador vuelve al estado Ocupado cuando se detecta movimiento. Si se deja una puerta o ventana abierta por más de 180 segundos, el controlador pasa al estado En Espera.

Lógica del estado En Espera: En el estado En Espera, el BV-4 está activo y el valor de la Desviación En Espera (SO) AV-19 se transfiere a la Desviación a Demanda, AV-106. El valor predeterminado de (SO) AV-19 es 4, el mínimo es 0 y el máximo es 12.

Configuración opcional de la entrada BI-1 (solo TB3026B-W)

La entrada BI-1 del BACnet FF puede usarse para el monitoreo puntual de un BMS.

- Un contacto seco normalmente abierto (ej. DPS de estado del filtro, etc.)
- La lógica del monitoreo en espera inalámbrico utiliza la Desviación En Espera AV-19. No la configure en cero (0).

Demanda de calefacción y enfriamiento

Las señales de calefacción (AV-0) y enfriamiento (AV-1) se generan a partir de la Temperatura Ambiente y los Puntos de Ajuste de Calefacción y Enfriamiento configurados, usando un algoritmo de control proporcional integral (PI). Se comparan las dos señales y la menor se configura en cero para evitar cualquier señal de calefacción y enfriamiento simultánea. En el caso de una Alarma de Sensor de Espacio Mala, ambas señales de calefacción y enfriamiento se configuran en cero.

En caso de activación o transición al estado Ocupado, el componente integral se reinicializa para los bucles de control PI de la señal de calefacción y enfriamiento.

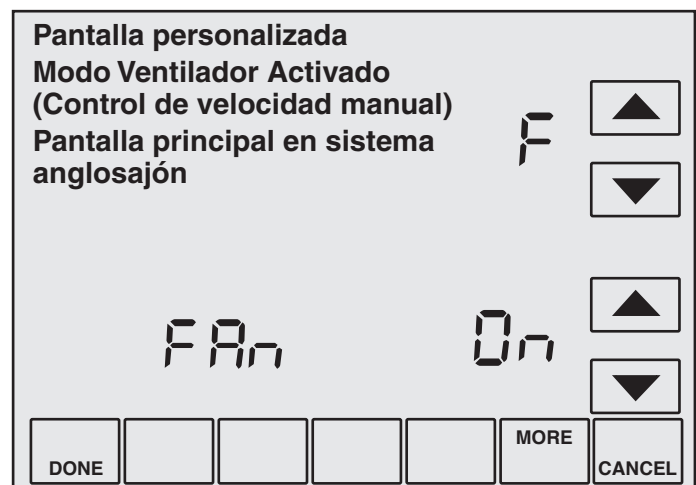
Señal de calefacción y enfriamiento — configuración del PI

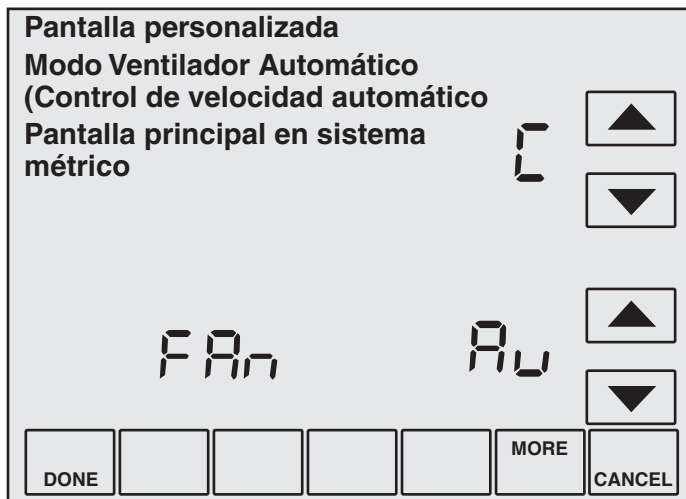
El PI de la señal de calefacción se configura en Kp de Señal de Calefacción (AV-41) y Ki de Señal de Calefacción (AV-42). El PI de la señal de enfriamiento se configura en Kp de Señal de Enfriamiento (AV-43) y Ki de Señal de Enfriamiento (AV-44).

Configuración en sistema anglosajón y métrico

La pantalla contiene flechas de ajuste para cambiar la pantalla principal del controlador del sistema anglosajón "F" al sistema métrico "C". Las unidades internas del controlador, anglosajonas o métricas, se configuran con el BV-71. El BV-71 se desactiva (predeterminado) para el sistema anglosajón o se activa para el métrico. Seleccionando cualquiera de las dos flechas de ajuste se actualizan las unidades en pantalla a F o C. Activando el BV-8 (Cambio de Unidades con Pantalla Bloqueada), se mostrarán las unidades opuestas a las indicadas por el BV-71 y se bloquearán los cambios en la pantalla.

Figura34:Pantalla:SistemaAnglosajón(F)oMétrico(C)





Nota: El BV-55 controla el indicador de Ventilador Automático/Ventilador Activado. Si el BV-55 está desactivado, se oculta el indicador. Si está activado, se muestra el estado de Ventilador Automático/Ventilador Activado. Si el BV-55 está desactivado, el control BV-58 desactivado/activado del BMS alterna entre Ventilador Automático y Ventilador Activado.

Tabla 23: Códigos de configuración

Código	Objeto		Predeterminado	Opciones	Unidades	Configuraciones de fábrica
AP	AV-49	Selección de aplicación	5	0-18		5
OE	BV-2	Habilitar salida	DESHABILITAR	DESHABILITAR/HABILITAR		Configure en HABILITAR para habilitar salidas
FC	AV-17	Ventilador 1=Cont 2=CycHtg 3=CycHtgClg	1	1, 2, 3		3
SP	AV-90	Punto de Ajuste Espacio Ocupado	70	70	Deg	N/A
HI	AV-91	Límite Superior del Punto de Ajuste	78	78	Deg	100.0°F
LO	AV-92	Límite Inferior del Punto de Ajuste	62	62	Deg	50.0°F
CO	AV-93	Desviación de Enfriamiento	2	2	Deg	N/A
HO	AV-94	Desviación de Calefacción	1	1	Deg	N/A
UC	AV-95	Punto de Ajuste Enfriamiento Desocupado	85	85	Deg	N/A
UH	AV-96	Punto de Ajuste Calefacción Desocupado	55	55	Deg	N/A
AL	AV-97	Límite Después de Hora	4	4	Horas	N/A

NOTA: Al conectar o encender por primera vez un control del Smart Series Plus, asegúrese de ir a la pantalla del Código de Servicio de Campo y configurar el (:OE) en ACTIVADO (ON) para que los relés se activen y puedan

controlar la Unidad de Calefacción.

NOTA: Estos parámetros DEBEN configurarse según la tabla de arriba. Si se cambian algunos parámetros, la unidad no funcionará correctamente. not function properly.

Tabla 24: Requiere un BMS para la configuración

Código	Punto	Valor	Predeterminado	Opciones	Unidades	Notas
	BV-102	Mostrar control del SISTEMA	Activado	Desactivado/Activado		Los cronogramas pueden requerir o no un bloqueo de SISTEMA visible. La desactivación del bloque del SISTEMA cambia el estado ocupado progra do al estado desocupado.
	AV-123	Modelo de cronograma	0	0 = Ocupación 1,2 = Punto de Ajuste		Configura el modo en Ocupación o Punto de Ajuste.
	BV-27	Bloqueo de calefacción	Desactivado	Desactivado/Activado		
	AV-20	Segundos de demora en espera	180	180	Seg	
	BV-56	Anula los cronogramas internos de BV-133	Desactivado	Desactivado/Activado		Habilita la programación del BMS
	BV-9	Habilita falla de comunicación	Desactivado	Desactivado/Activado		Active para pasar automáticamente a ocupado ante una falla de comunicación del MS/TP

Tabla 24: Requiere unBMS para la configuración (Cont.)

Código	Punto	Valor	Predeterminado	Opciones	Unidades	Notas
	BV-10	Habilitar DESACTIVACIÓN del sistema	Desactivado	Desactivado/Activado		
	AV-40	Modo AC HP	2	1,2		Conf. 1, emula el control del termostato. Conf. 2, análogo al control BIN.
	AV-41	Kp de la señal de calefacción	20			
	AV-42	Ki de la señal de calefacción	1			
	AV-46	% de demanda de arranque automático del ventilador	20		%	
	AV-53	SP de la banda muerta de detención automática del ventilador	5		%	Configuración para todas las aplicaciones de ventilador de una sola velocidad
	AV-77	SP de la alarma del filtro	3000		Horas	
	AV-78	2PVIvMode Set DB%	20	20-100		
	AV-79	2PVIvMode Reset DB%	1	1-25		
	BV-105	Mostrar SP de Cal./Enf. Desocupado	Activado	Active/Desactivado		
	BV-210	Habilitar pantalla personalizada	Activado			Desactivado oculta las opciones de pantalla personalizada
	BV-215	URHC Habilitar	Activado			Desactivado oculta la selección F/C
	BV-219	LLHC Habilitar	Activado	No cambiar		DDC control
	BV-222	LRHC Enable	Activado	No cambiar		DDC control
	BV-262	URHC Adi Flechas	Activado	No cambiar		DDC control
	BV-276	LRHC Adi Flechas	Activado	No cambiar		DDC control
	MV-8	DESACTIVADO	4	No cambiar		
	MV-9	F1	5	No cambiar		
	MV-10	F2	5	No cambiar		
	MV-11	F3	4	No cambiar		
	MV-21	Modo 1-Numérico, 2-Alfanumérico	2	No cambiar		
	MV-22	Modo 1-Numérico, 2-Alfanumérico	2	No cambiar		

Tabla 24: Requiere un BMS para la configuración (Cont.)

Código	Punto	Valor	Predeterminado	Opciones	Unidades	Notas
	MV-22	Modo 1-Numérico,, 2-Alfanumérico	2	No cambiar		
	MV-23	Modo 1-Numérico,, 2-Alfanumérico	2	No cambiar		
	AV-218	URHC delta	1	No cambiar		
	AV-216	URHC Up Máx flecha arriba	1	No cambiar		
	AV-217	URHC Down Min flecha abajo	2	No cambiar		
	AV-230	LRHC Up Máx flecha arriba	1	No cambiar		
	AV-231	LRHC Down Min flecha abajo	2	No cambiar		
	AV-232	LRHC Delta	1	No cambiar		

ANEXO A: OBJETOS Y PROPIEDADES DE LOS OBJETOS DE BACNET

Esta sección muestra los objetos de BACnet presentes en el Smart Series Plus. Las tablas siguientes listan cada uno de los puntos y brindan detalles sobre las propiedades de cada objeto listado.

Objetos del Smart Series Plus

Objeto (rango de instancia)	Comentarios
AI-(0-2)	Objetos de entrada analógica (AI) asociados con terminales de entrada físicos universales en el Smart Series Plus. Las entradas analógicas se identifican como AI- <i>nn</i> , donde <i>nn</i> es el número del terminal de entrada.
AO-(0-7)	Objetos de salida (AO) analógica asociados con terminales de salida físicos. Las salidas analógicas se identifican como O- <i>nn</i> , donde <i>nn</i> es el número del terminal de salida.
AV-(90-107)	VALORES ANALÓGICOS (AVs) RESERVADOS
AV-(0-89)	AVs de uso general
AV-(108-136)	Control y respuesta de pantalla
AV-(210-233)	Control y respuesta de pantalla personalizada
BI (0-2)	Objetos de entrada binaria (BI) asociados con los terminales de entrada físicos universales del Smart Series Plus. Las entradas binarias se identifican como BI- <i>nn</i> , donde <i>nn</i> es el número del terminal de entrada.
BO (0-5)	Objetos de salida binaria (BO) asociados con los terminales de salida físicos del Smart Series Plus. Las salidas binarias se identifican como BO- <i>nn</i> donde <i>nn</i> es el número del terminal de salida.
BV-(0-63)	Valores Binarios (BVs) de uso general. El BV-40 soporta la propiedad de prioridad de comandos (priority-array). El BV-40 se usa para los comandos de ocupación. BV-40 is used for occupancy commands.
BV-(90-147)	Control y respuesta de pantalla
BV-(200-202)	AI-selección de modo actual
BV-(210-299)	Control y respuesta de pantalla personalizada
BV-(300-301)	AO-respuesta del modo de detección actual
BV-(400-402)	AI-habilitación de pullup
MV-(0-23)	Valores multiestado (MVs) RESERVADOS.
Dispositivo	Brinda información general sobre un dispositivo
Archivo (254)	Brinda información general sobre el archivo del sistema operativo.
Cronograma 0	Cronograma interno usado solo en modo Ocupación y solo si está habilitado por el BV-133

Propiedades de los objetos

Propiedades de los objetos del dis

Propiedad	Acceso	Notas
Identificador del objeto	R/W	No permite escribir en el Smart Series Plus
Nombre del objeto	R/W	
Tipo de objeto	R	
Estado del sistema	R	OPERATIVO
Nombre del proveedor	R	"Honeywell"
Identificador del proveedor	R	91
Nombre del modelo	R	"Honeywell-XXXXXX"
Revisión del Firmware	R	(viene del cargador de arranque) inicialmente "RL 5.00 (build x)"
Versión del software de la aplicación	R	"5.00 (build y)" o Ubicación similar
Ubicación	R/W	
Descripción	R/W	
Versión del protocolo	R	1
Revisión del protocolo	R	4
Servicios de protocolo soportados	R	atomicReadFile, atomicWriteFile, readProperty, readPropertyMultiple, writeProperty, writePropertyMultiple, deviceCommunicationsControl, reinitializeDevice, i-Am, unconfirmedPrivateTransfer, timeSynchronization, who-Has, who-Is, utcTimeSynchronization
Tipos de objetos de protocolo soportados	R	entrada analógica, salida analógica, valor analógico, entrada binaria, salida binaria, valor binario, dispositivo, archivo, programa, cronograma
Lista de objetos	R	Si es demasiado grande para responder en una sola solicitud, responde: "segmentación no compatible". Se pueden leer entradas individuales.
Máx. Longitud de APDU Aceptada	R	480
Segmentación compatible	R	Sin segmentación
Hora local	R/W	Predeterminada = "00:00:00"
Fecha local	R/W	Predeterminada = "Ene 1, 1900"
Diferencia de huso horario	R/W	Predeterminada = 0
Estado de horario de verano	R/W or R	Solo lectura si el parámetro ISU 330 está configurado en alguna de las opciones de ajuste automático.
Tiempo de espera de APDU	R/W	Predeterminado = 6000, limitado a 100..60000
Número de reintentos de APDU	R/W	Predeterminado = 3, limitado a 0..16
Máx Maestro	R	127
Máx Cuadros de Información	RW	Predeterminado = 3, limitado a 1..60
Vinculación de la dirección del dispositivo	R	Lista vacía

Propiedades de los objetos de AI

Propiedad	Acceso	Notas
Identificador del objeto	R	
Nombre del objeto	R	"AI nnn"
Tipo de objeto	R	
Valor actual	R	
Descripción	R/W	Solo lectura si se configura en el encabezado del DDC usandoDDCMULTI.
Indicadores de estado	R	Todos falsos
Estado del evento	R	NORMAL
Fuera de servicio	R	FALSO
Unidades	R	Valor configurado en el archivo DDC usando DDCMULTI salvo cuando se indique lo contrario en la secuencia de operación.

Propiedades de los objetos de AO

Propiedad	Acceso	Notas
Identificador del objeto	R	
Nombre del objeto	R	“AO-nn”
Tipo de objeto	R	
Valor actual	R/W	Límite 0.0 .. 102.4
Descripción	R/W	Solo lectura si se configura en el encabezado del DDC usandoDDCMULTI
Indicadores de estado	R	Por lo general, no se establecen banderas. El bit fuera de servicio se establecerá siempre que el punto se configure como tal utilizando DDCMULTI.
Estado del evento	R	NORMAL
Fuera de servicio	R	Valor configurado en archivo DDC usando DDCMULTI. Vea abajo.
Unidades	R	Valor configurado en archivo DDC usando DDCMULTI
Abandonar Predeterminado	R/W	Limite 0.0 .. 102.4
Renunciar por defecto	R	Valor configurado en archivo DDC usando DDCMULTI

Propiedades de los objetos de Valor Analógico (AV)

Propiedad	Acceso	Notas
Identificador del objeto	R	
Nombre del objeto	R	“AV-nnn” salvo que se indique lo contrario
Tipo de objeto	R	
Valor actual	R/W	Como se describe abajo
Descripción	R/W	Solo lectura si se configura en el encabezado del DDC usando DDCMULTI
Indicadores de estado	R	No hay indicadores configurados
Estado del evento	R	Normal
Fuera de servicio	R	FALSO
Unidades	R	Como se describe abajo

Propiedades de los objetos de Entrada Binaria (BI)

Propiedad	Acceso	Notas
Identificador del objeto	R	
Nombre del objeto	R	“BI nnn”
Tipo de objeto	R	ENTRADA BINARIA
Valor actual	R	
Descripción	R/W	Solo lectura si se configura en el encabezado del DDC usando DDCMULTI
Indicadores de estado	R	Todos falsos
Estado del evento	R	NORMAL
Fuera de servicio	R	FALSO
Polaridad	R	NORMAL

Propiedades de los objetos de Salida Binaria (BO)

Propiedad	Acceso	Ubicación y valor predeterminados
Identificador del objeto	R	
Nombre del objeto	R	“BO nn”
Tipo de objeto	R	SALIDA BINARIA
Valor actual	R/W	
Descripción	R/W	Solo lectura si se configura en el encabezado del DDC usando DDCMULTI.
Indicadores de estado	R	Generalmente no se configuran indicadores. El bit fuera de servicio debe configurarse cada vez que el punto se configure como tal usando DDCMULTI.
Estado del evento	R	NORMAL
Fuera de servicio	R	Seleccionable en el encabezado del DDC
Polaridad	R	NORMAL
Prioridad de comandos	R/W	RAM
Abandonar Predeterminado	R	Seleccionable en el encabezado del DDC

Propiedades de los objetos de Valor Binario (BV)

Propiedad	Acceso	Notas
Identificador del objeto	R	
Nombre del objeto	R	para la mayoría de los BVs, salvo que se indique lo contrario
Tipo de objeto	R	
Valor actual	R/W	
Descripción	R/W	Solo lectura si se configura en el encabezado del DDC usandoDDCMULTI.
Indicadores de estado	R	No hay indicadores configurados
Estado del evento	R	NORMAL
Fuera de servicio	R	FALSO
Prioridad de comandos	R/W	BV-40 solo
Abandonar Predeterminado	R/W	BV-40 solo

Propiedades de los objetos de Valor Multiestado (MV)

Propiedad	Acceso	Notas
Fuera de servicio	R	Falso
Estado del evento	R	Normal
Indicador de estado	R	No hay indicadores configurados
Nombre del objeto	R	"MV-nnn" salvo que se indique lo contrario
Descripción	R/W	
Texto de estado	R	
Valor actual	R	
Número de estados	R	
ID del objeto	R	

Propiedades de los objetos de cronograma

Propiedad	Acceso	Notas
Identificador del objeto	R/O	CRONOGRAMA 0
Nombre del objeto	R/O	"Cronograma 0"
Tipo de objeto	R/O	CRONOGRAMA
Valor actual	R/O	
Descripción	R/O	"Cronograma principal"
Período de vigencia	R/O	CUALQUIER MOMENTO (siempre vigente)
Cronograma semanal	R/W	7 días, 6 eventos por día máximo.Compatible con BTL.
Cronograma predeterminado	R/W	Desactivado (enum 0)
Lista de referencias de las propiedades de los objetos	R/O	Vacío
Prioridad de escritura	R/O	16
Indicadores de estado	R/O	Todos los bits libres
Confiabilidad	R/O	SIN FALLAS DETECTADAS
Fuera de servicio	R/O	FALSO

AVs y BVs estándar

Esta sección lista los puntos lógicos del Smart Series Plus. El Smart Series Plus computa los puntos con tipo de acceso "R/O" y los proporciona como entradas a la aplicación del usuario. Los puntos con tipo de acceso "R/W" son escritos por la aplicación del usuario o vía BACnet para proporcionar información al Smart Series Plus.

AVs y BVs de control de la UI

Las siguientes AVs, BVs y MVs controlan la interfaz de usuario del Smart Series Plus.

AVs de control general

Punto	Nombre del objeto	Acceso	Descripción
AV-110	Modelo de Punto de Ajuste del Modo SP	R/W	<p>Modo Punto de Ajuste: Elije el modelo de punto de ajuste y también selecciona el diseño del fondo de pantalla genérico 0.0: usar formato OFF (DESACTIVADO) (no se muestran puntos de ajuste) 1.0: usar formato de 1 punto de ajuste (enfriamiento) 2.0: usar formato de 1 punto de ajuste (calefacción) 3.0: usar formato de 2 puntos de ajuste</p> <p>Modo de ocupación: Ignorado</p>
AV-11	Modelo de Punto de Ajuste del SISTEMA	R/W	<p>Proporciona una salida compatible del control del SISTEMA que se puede transferir al modelo de punto de ajuste AV-110 (arriba) para reproducir el comportamiento VisionPro predeterminado. Los valores producidos por el control del SISTEMA están limitados por la configuración. AVs, BVs y MVs.</p> <p>0.0: "OFF" (DESACTIVADO) seleccionado 1.0: "COOL" (ENFRIAMIENTO) seleccionado 2.0: "HEAT"/"EMHEAT" (CALEFACCIÓN/CALEFACCIÓN EM) seleccionado 3.0: "AUTO" seleccionado</p>
AV-123	Selección del modo de ocupación	R/W	Configura el sistema en modo de ocupación
AV-124	Recordatorio de cambio de filtro	R/W	Habilita el recordatorio del cambio de filtro.
AV-127	Horario de verano	R/W	Configura el horario de verano en Desactivado, calendario pre-2007 o post-2007.
AV-128	Bloqueo del teclado	R/W	Bloquea el teclado.
AV-132	Modo de servicio de campo PIN de seguridad	R/W	Permite acceder al modo de servicio de campo solo a los usuarios autorizados.
AV-133	PIN de seguridad del modo ISU	R/W	Permite acceder al modo ISU solo a los usuarios autorizados.
AV-137	Formato de la pantalla de configuración del ventilador	R/W	Selecciona el formato en que las configuraciones del ventilador se muestran en la pantalla.

BVs de control general

Punto	Nombre del objeto	Acceso	Descripción
BV-80	Habilitar control de velocidad del ventilador	R/W	<p>ON (ACTIVADO): Permitir que el control del "VENTILADOR" esté visible para el usuario final OFF (DESACTIVADO): El control del VENTILADOR está siempre oculto</p>
BV-102	Habilitar control del sistema	R/W	<p>ON (ACTIVADO): Permitir que el control del "SISTEMA" esté visible OFF (DESACTIVADO): El control del SISTEMA está siempre oculto</p>
BV-103	Ocultar ventilador y sistema	R/W	<p>ON (ACTIVADO): Ocultar los controles del VENTILADOR y el SISTEMA en modo desocupado independientemente de las demás configuraciones de pantalla) OFF (DESACTIVADO): Mostrarlos si está permitido</p>
BV-104	Enable DOW	R/W	<p>ON (ACTIVADO): Permitir que se vea el día de la semana OFF (DESACTIVADO): Nunca mostrar el día de la semana</p>
BV-105	Mostrar los puntos de ajuste desocupados	R/W	<p>ON (ACTIVADO): Mostrar los puntos de ajuste de calefacción y enfriamiento en modo desocupado. OFF (DESACTIVADO): No mostrarlos</p>

MVs de control general

Punto	Nombre del objeto	Acceso	Descripción
MV-0	Modo de tiempo	R	Proporciona respuesta sobre la capacidad de manejo temporal del dispositivo. La operación normal del reloj dará un valor actual de 3 1: "Modo Hora del Día Desconocida" 2: "Modo Hora del Día Disponible" 3: "Modo Fecha/Hora Disponible"
MV-1	Modelo de cronograma	R	Proporciona respuesta sobre el modelo de cronograma del dispositivo 1: "Punto de ajuste" 2: "Ocupación"
MV-2	Bloqueo del teclado	R	Proporciona respuesta sobre el nivel de acceso al teclado: 1: "acceso total" 2: "solo puntos de ajuste" 3: "bloqueado"
MV-3	Modo DLS	R	Proporciona respuesta sobre la operación en modo Horario de Verano 1: "OFF" (DESACTIVADO) 2: "Auto (pre-2007)" 3: "Auto (2007 en adelante)"
MV-4	Incremento de SP	R	Cuánto cambia el punto de ajuste cada vez que se presiona la flecha 1: "1° F / 0.5° C" (predeterminado)
MV-5	Incremento de tiempo	R	Cuánto cambia el tiempo cada vez que se presiona la flecha 1: "1 min" (predeterminado)

BVs de control de segmento de pantalla opcional

En Modo Punto de Ajuste, el diseño del punto de ajuste es controlado por el AV-110, ver arriba.

Punto	Nombre del objeto	Acceso	Descripción
BV-77	ÍCONO de calefacción	R/W	ON (ACTIVADO): Muestra el ícono de "calefacción activada"
BV-78	ÍCONO de enfriamiento	R/W	ON (ACTIVADO): Muestra el ícono de "enfriamiento activado"
BV-106	Mostrar Esperar	R/W	ON (ACTIVADO): Muestra "Esperar"
BV-111	ON (ACTIVADO): Muestra "Esperar"	R/W	ON (ACTIVADO): Fuerza la aparición de "CAMBIAR FILTRO" (también se puede mostrar automáticamente debido al temporizador del filtro)
BV-114	Deshabilitar la tecla CRONOGRAMA	R/W	OFF (DESACTIVADO): Permite usar la Tecla "CRONOGRAMA" para acceder a la UI de programación estándar (si corresponde) ON (ACTIVADO): La tecla "CRONOGRAMA" está siempre oculta
BV-115	Deshabilitar la tecla de SUSPENDER permanente	R/W	OFF (DESACTIVADO): Permite usar la tecla "SUSPENDER" para acceder a la UI de SUSPENSIÓN Permanente. ON (ACTIVADO): La tecla "SUSPENDER" está oculta o se usa para la SUSPENSIÓN por vacaciones, si está habilitada.
BV-130	Deshabilitar la tecla de SUSPENDER por vacaciones	R/W	OFF (DESACTIVADO): Permite usar la tecla "SUSPENDER" para acceder a la UI de SUSPENSIÓN por vacaciones estándar (si corresponde) ON (ACTIVADO): La tecla "SUSPENDER" está oculta.
BV-116	Deshabilitar la tecla RELOJ	R/W	OFF (DESACTIVADO): Permite usar la tecla "RELOJ" para configurar el reloj (si corresponde) ON (ACTIVADO): La tecla "RELOJ" está siempre oculta
BV-131	Modo en espera hotel	R/W	Activarlo vía DDC para indicarle a la pantalla que el DCC está controlando el modo en espera. La indicación visual es útil si el DDC cree erróneamente que la habitación está desocupada.
BV-142	Máster OFF (DESACTIVADO)	R/W	OFF (DESACTIVADO): sin efectos ON (ACTIVADO): Anula el estado ocupado en el Modo de Ocupación. a pantalla de inicio muestra "DESACTIVADO" sin las flechas de anulación y no se muestra el punto de ajuste del usuario. Se usa para implementar la ACTIVACIÓN/DESACTIVACIÓN de usuarios o del control del ventilador. Reemplaza al BV65 heredado.

BVs de control de programación

Punto	Nombre del objeto	Acceso	Descripción
BV-114	Denegar vista del cronograma	R/W	Si está configurado, el usuario no puede ver los cronogramas.
BV-133	Habilitar cronograma interno	R/W	ON (ACTIVADO): Se habilita el cronograma interno de 7 días (sujeto a otros factores). El objeto de cronograma de BACnet se puede ver vía BACnet. OFF (DESACTIVADO): Deshabilita el uso del mecanismo del cronograma interno. El objeto de cronograma de BACnet es invisible. Todos los componentes de la UI relacionados con la edición del cronograma están deshabilitados. Este es el parámetro ISU 160. BV-133=0 se muestra como ISU 160=0. BV-133=1 se muestra como ISU 160=4.
BV-141	Deshabilitar la edición del cronograma	R/W	ON (ACTIVADO): Inhibe la tecla EDITAR de la pantalla. Los cronogramas internos se pueden ver pero no editar.
AV-129	Períodos entre semana Valor ISU	R/W	2: Dos períodos de programación por día 4: Cuatro períodos de programación por día

AVs de control de cronogramas

Punto	Nombre del objeto	Unidades	Acceso	Descripción
AV-113	AV del Modo de Anulación del SP		R/W	En el modo punto de ajuste, indica el estado de anulación del punto de ajuste. Este punto puede escribirse en el DDC para cancelar el estado de anulación. 1.0: programado 2.0: temporario 3.0: permanente 4.0: vacaciones 5.0: Suspensión inicial
AV-130	Hasta la hora	Minutos	R/W	En el modo punto de ajuste, indica el estado de anulación del punto de ajuste. Este punto puede escribirse en el DDC para cancelar el estado de anulación.
AV-131	Días de vacaciones restantes	Días	R/W	En el modo punto de ajuste, indica la cantidad de días restantes en una anulación por vacaciones.

MVs de control de cronogramas

Punto	Nombre del objeto	Acceso	Descripción
MV-12	Formato del cronograma	R	Este punto es una versión simple del AV-129, parámetro ISU 540 (ver arriba) 1: "2 comandos por día" 2: "4 comandos por día"
MV-13	SP Modo de Anulación	R	En el modo punto de ajuste, indica el estado de anulación del punto de ajuste. Este punto es una versión simple del AV-113 (ver arriba). 1: "programado" 2: "temporario" 3: "permanente" 4: "vacaciones"

AVs de Desviación de Temperatura y Humedad

Punto	Nombre del objeto	Unidades	Acceso	Notas
AV-138	Desviación de la temperatura detectada	Grados F/C	R/W	Limitado a +/- 4 grados F.

ANEXO B: LISTA ORDENADA DE PUNTOS DE CONTROL

Punto	Nombre del objeto	Punto	Nombre del objeto
AV-90	Punto de Ajuste (SP)	AV-91	Límite Superior del Punto de Ajuste
AV-92	Límite Inferior del Punto de Ajuste	AV-93	Desviación del SP de enfriamiento
AV-94	Desviación del SP de calefacción	AV-95	SP de Enfriamiento Desocupado
AV-96	SP de Calefacción Desocupado	AV-97	Límite del Temporizador Después de Hora
AV-98	Temporizador Después de Hora	AV-99	SP de Enfriamiento Actual
AV-100	SP de Calefacción Actual	AV-101	Temperatura Ambiente Indicada
AV-104	Temperatura Ambiente Detectada	AV-105	Humedad Ambiente Detectada
AV-106	Desviación de Demanda	AV-107	RESERVADO
AV-108	SP de Enfriamiento del Modo SP	AV-109	SP de Calefacción del Modo SP
AV-110	Modo Punto de Ajuste del Modo SP	AV-111	Modelo de Punto de Ajuste del SISTEMA
AV-113	AV del Modo Anulación de SP	AV-114	Tiempo de Ejecución del Filtro
AV-115	Límite del Tiempo de Ejecución del Filtro	AV-116	RESERVADO
AV-117	Límite del Tiempo de Ejecución de la Lámpara UV	AV-118	RESERVADO
AV-121	RESERVADO	AV-122	RESERVADO
AV-123	Configurar el Sistema en Modo Ocupación	AV-124	Recordatorio de Cambio de Filtro
AV-125	RESERVADO	AV-126	RESERVADO
AV-127	Horario de verano	AV-128	Bloqueo del teclado
AV-129	Valor ISU períodos días de semana	AV-130	Suspender hasta
AV-131	Días de vacaciones restantes	AV-132	PIN de seguridad del modo de servicio de campo
AV-133	PIN de seguridad del modo ISU	AV-134	RESERVADO
AV-135	RESERVADO	AV-136	RESERVADO
AV-137	Formato de la pantalla de configuración del ventilador	AV-138	Desviación de la Temperatura Detectada
AV-139	RESERVADO	AV-140	RESERVADO
AV-141	RESERVADO	AV-210	Número de UHLH
AV-211	Caracter izquierdo del ULHC	AV-212	Caracter derecho del ULHC
AV-213	Número de URHC	AV-214	URHC 10 caracteres
AV-215	URHC 1 caracter	AV-216	URHC mínimo
AV-217	URHC máximo	AV-218	URHC delta
AV-219	Número de LLHC	AV-220	LLHC 10 caracteres
AV-221	LLHC 1 caracter	AV-222	LLHC mínimo
AV-223	LLHC máximo	AV-224	LLHC delta
V-225	LLHC 1000 caracteres	AV-226	LLHC 100 caracteres
AV-227	Número de LRHC	AV-228	LRHC 10 caracteres
AV-229	LRHC 1 caracter	AV-230	LRHC mínimo
AV-231	LRHC máximo	AV-232	LRHC delta
BV-64	Salida del Cronograma	BV-65	Usuario ACTIVADO/DESACTIVADO en Modo Ocupado
BV-66	Estado del Temporizador Después de Hora	BV-67	Estado Ocupado/Desocupado
BV-68	Bloqueo del servicio de campo	BV-69	Cambiar Anglosajón/Métrico
BV-71	Anglosajón (DESACTIVADO) / Métrico (ACTIVADO)	BV-72	Ventilador etapa 1
BV-73	Ventilador etapa 2	BV-74	Ventilador etapa 3
BV-77	ÍCONO de calefacción	BV-78	ÍCONO de enfriamiento
BV-79	Retroiluminación ACTIVADA	BV-80	Habilitar Control de Velocidad del Ventilador
BV-81	Seleccionar Modo Hotel	BV-82	Habilitar Indicador de Hora
BV-83	Formato horario de 24 hs.	BV-84	Habilitar Humedad del Espacio
BV-100	RESERVADO	BV-101	RESERVADO
BV-102	Habilitar Control del Sistema	BV-103	Ocultar Ventilador y Sistema
BV-104	Habilitar DOW	BV-105	Mostrar Puntos de Ajustes Unocc
BV-106	Mostrar Espera	BV-107	Mostrar calefacción aux activada

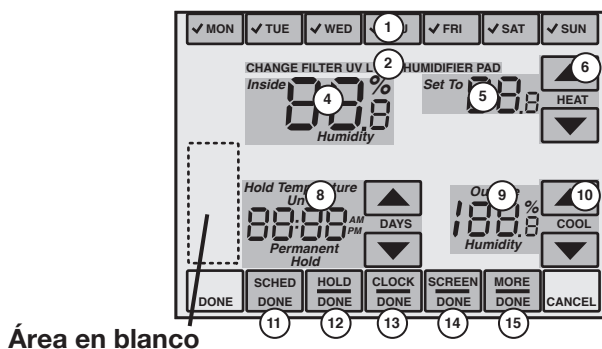
ANEXO B: LISTA ORDENADA DE PUNTOS DE CONTROL (Cont.)

Punto	Nombre del objeto	Punto	Nombre del objeto
BV-108	RESERVADO	BV-109	RESERVADO
BV-110	RESERVADO	BV-111	Forzar CAMBIO DE FILTRO
BV-112	RESERVADO	BV-113	RESERVADO
BV-114	Deshabilitar tecla CRONOGRAMA	BV-115	Deshabilitar tecla de SUSPENSIÓN permanente
BV-116	Deshabilitar tecla RELOJ	BV-117	Permitir DESACTIVACIÓN Sistema
BV-118	Permitir CALEFACCIÓN Sistema	BV-119	Permitir ENFRIAMIENTO Sistema
BV-120	Permitir AUTO Sistema	BV-121	Permitir CALEFACCIÓN EM Sistema
BV-122	Modo CALEFACCIÓN Sistema	BV-123	Modo ENFRIAMIENTO Sistema
BV-124	Modo AUTO Sistema	BV-125	Modo CALEFACCIÓN EM Sistema
BV-130	Deshabilitar tecla SUSPENDER vacaciones	BV-131	Modo En Espera Hotel
BV-133	Habilitar cronograma interno	BV-134	Habilitar Filtro
BV-135	Filtro ACTIVADO	BV-136	RESERVADO
BV-137	RESERVADO	BV-138	RESERVADO
BV-139	RESERVADO	BV-140	RESERVADO
BV-141	Deshabilitar editar cronograma	BV-142	Maestro DESACTIVADO
BV-143	RESERVADO	BV-144	RESERVADO
BV-145	RESERVADO	BV-146	RESERVADO
BV-147	RESERVADO	BV-200 - BV-202	Modo Actual Aln
BV-210	Habilitar Personalizar 1	BV-211	Resetear
BV-212	Habilitar ULHC	BV-213	ULHC decimal
BV-214	ULHC cero inicial	BV-215	Habilitar URHC
BV-216	URHC decimal	BV-217	URHC cero inicial
BV-218	URHC editar	BV-219	Habilitar LLHC
BV-220	LLHC cero inicial	BV-221	LLHC editar
BV-222	Habilitar LRHC	BV-223	LRHC decimal
BV-224	LRHC cero inicial	BV-225	LRHC editar
BV-226	LRHC 1 inicial	BV-227	Casilleros de días
BV-228	Texto lunes	BV-229	Texto martes
BV-230	Texto miércoles	BV-231	Texto jueves
BV-232	Texto viernes	BV-233	Texto sábado
BV-234	Texto domingo	BV-235	Marca lunes
BV-236	Marca martes	BV-237	Marca miércoles
BV-238	Marca jueves	BV-239	Marca viernes
BV-240	Marca sábado	BV-241	Marca domingo
BV-242	Ok seleccionar	BV-243	Pantalla bloqueada
BV-244	Cambiar	BV-245	Filtro
BV-246	RESERVADO	BV-247	RESERVADO
BV-250	Adentro	BV-251	RESERVADO
BV-253	Configurar en	BV-254	Aux
BV-255	Calefacción activada	BV-256	Espera
BV-257	Enfriamiento activado	BV-258	Ajuste calefacción
BV-259	RESERVADO	BV-260	Seguir
BV-261	RESERVADO	BV-262	Flechas de Ajuste URHC
BV-263	Pm	BV-264	Am
BV-265	Días	BV-266	Flechas de Ajuste LLHC
BV-268	Permanente	BV-269	Suspender hasta
BV-270	Cancelar Período	BV-271	Afuera
BV-272	DE	BV-273	RESERVADO
BV-280	Vent	BV-281	Tecla lunes
BV-282	Tecla martes	BV-283	Tecla miércoles

ANEXO B: LISTA ORDENADA DE PUNTOS DE CONTROL (Cont.)

Punto	Nombre del objeto	Punto	Nombre del objeto
BV-284	Tecla jueves	BV-285	Tecla viernes
BV-286	Tecla sábado	BV-287	Tecla domingo
BV-292	Tecla arriba LLHC	BV-293	Tecla dn LLHC
BV-294	Tecla RESETEAR	BV-295	Tecla CANCELAR PERÍODO
BV-297	Tecla VENTILADOR	BV-298	Tecla SISTEMA
BV-300- BV-301	Modo Acutal AOn	BV-400 - BV-402	Pullup Aln
MV-0	Modo Tiempo	MV-1	Modelo de calendario
MV-2	Bloqueo del teclado	MV-3	Modo DLS
MV-4	Incremento de SP	MV-5	Incremento del calendario
MV-6	Selección SISTEMA del usuario	MV-7	Estado del ventilador
MV-8	Texto Ventilador DESACTIVADO	MV-9	Texto ventilador etapa 1
MV-10	Texto ventilador etapa 2	MV-11	Texto ventilador etapa 3
MV-12	Formato del calendario	MV-13	Modo Anulación SP

ANEXO C: REFERENCIA RÁPIDA



Ítem	Función	Descripción
1	Días de la semana	Muestra el día de semana actual. En modo Configuración de Cronograma, muestra todos los días. Los días seleccionados aparecen marcados con tildes.
2	Mensajes de mantenimiento necesario	Titila cuando es hora de cambiar un filtro, una lámpara UV o un humidificador.
4	Estado interior	Muestra la temperatura y/o la humedad interior actual.
5	Punto de ajuste	Muestra el punto de ajuste actual.
6	Ajuste de la calefacción	Presionando las flechas, se ajusta el punto de ajuste de la calefacción.
8	Área programada	Muestra las suspensiones programadas y permite a los usuarios modificar la programación
9	Ajuste del enfriamiento	Presionando las flechas, se ajusta el punto de ajuste del enfriamiento.
10	EDITAR CRONOGRAMA	Muestra el cronograma actual. En modo cronograma, muestra la pantalla de Editar Cronograma.
11	SUSPENSIÓN DESPERTAR	Permite a los usuarios suspender el sistema en forma Permanente o por Vacaciones. En modo Editar Cronograma, la barra que titila indica que DESPERTAR es el período activo del cronograma.
12	RELOJ SALIR	Permite a los usuarios cambiar la fecha y hora del Sistema. Al editar un cronograma, la barra que titila indica que SALIR es el período activo del cronograma.
13	PANTALLA REGRESAR	Bloquea la pantalla para limpiarla. En modo Editar Cronograma, la barra que titila indica que REGRESAR es el período activo del cronograma.
14	MÁS DORMIR	Muestra las pantallas adicionales. En modo Editar Cronograma, la barra que titila indica que DORMIR es el período activo del cronograma.

Códigos de configuración del instalador

(Presione el bloqueo del SISTEMA y mantenga presionadas las teclas a cada lado de la tecla central inferior.)

:UC	Punto de ajuste de enfriamiento desocupado(AV-95)
:UH	Punto de ajuste de calefacción desocupado(AV-96)
:CO	Desviación de enfriamiento (AV-93)
:HO	Desviación de calefacción (AV-94)
:HS	Punto de ajuste de calefacción ocupado (AV-100)
:CS	Punto de ajuste de enfriamiento ocupado (AV-99)
:AL	Límite de anulación (AV-97)
:HI	Límite superior de anulación (AV-91)
:LO	Límite inferior de anulación (AV-92)
:SP	Punto de ajuste de temperatura ambiente seleccionada - ocupado(AV-90)

Códigos de configuración del instalador

(Presione el bloqueo del SISTEMA y mantenga presionadas las teclas a cada lado de la tecla central inferior.)

120	Año, primeros 2 dígitos
130	Año, segundos 2 dígitos
140	Mes
150	Día
160	Formato del cronograma (BV-133)
280	Control de retroiluminación (BV-79)
320	Cambiar Anglosajón/Métrico (BV-69)
330	Horario de verano (AV-127)
500	Recordatorio de cambio de filtro (AV-124)
510	RESERVADO
520	RESERVADO

540	Períodos de programas (AV-129)
640	Formato del reloj (BV-83)
670	Bloqueo del teclado (AV-128)
700	Desviación de la temperatura detectada (AV-138)
701	RESERVADO
702	RESERVADO
703	RESERVADO
800	Dirección MS/TP MAC
801	Primer dígito de la instancia del dispositivo BACnet
802	Segundo y tercer dígito de la instancia del dispositivo BACnet
803	Cuarto y quinto dígito de la instancia del dispositivo BACnet
804	Sexto y séptimo dígito de la instancia del dispositivo BACnet

GARANTÍA LIMITADA

Todos los productos fabricados por Marley Engineered Products tienen garantía contra defectos de fabricación y materiales por un año a partir de la fecha de instalación, salvo por el motor, que tiene garantía contra defectos de fabricación y materiales por tres años a partir de la fecha de instalación. Esta garantía no se aplica a los daños causados por accidente, uso incorrecto o alteración, tensión conectada superior al 5% de la especificada en la placa de datos o instalación, cableado o mantenimiento incorrecto del equipo en violación de las instrucciones de instalación. Todos los reclamos de garantía deben estar acompañados por un comprobante de la fecha de instalación.

El cliente se hará cargo de todos los costos incurridos para la desinstalación o reinstalación de los productos, incluida la mano de obra y los costos de envío de los productos devueltos. Dentro de las limitaciones de esta garantía, las unidades que no funcionen deben ser devueltas a Marley Engineered Products para que las reparamos o cambiemos, a nuestra entera discreción, sin costo alguno para el cliente y con el flete a cargo de Marley. Se conviene que dicha reparación o cambio es el único resarcimiento que ofrece Marley Engineered Products.

ESTAS GARANTÍAS REEMPLAZAN A CUALQUIER OTRA GARANTÍA EXPLÍCITA O IMPLÍCITA, Y TODA GARANTÍA IMPLÍCITA DE COMERCIABILIDAD Y APTITUD PARA UN FIN DETERMINADO QUE EXCEDA LAS GARANTÍAS EXPLÍCITAS MENCIONADAS ARRIBA QUEDARÁ EXCLUIDA DEL PRESENTE ACUERDO. MARLEY ENGINEERED PRODUCTS NO SERÁ RESPONSABLE POR LOS DAÑOS EMERGENTES QUE SURJAN CON RESPECTO AL PRODUCTO, YA SEA BASÁNDOSE NEGLIGENCIA, RESPONSABILIDAD CIVIL, RESPONSABILIDAD OBJETIVA O CONTRATO.

Algunos estados no permiten la exclusión o limitación de los daños incidentales o emergentes, por lo que es posible que la exclusión o limitación mencionada arriba no se aplique en su caso. Esta garantía le otorga derechos legales específicos, pero usted podría tener otros derechos adicionales dependiendo del estado.

Los productos devueltos a la fábrica deben estar acompañados por una autorización de devolución y un rótulo de identificación de reparación, que deben ser proporcionados por Marley Engineered Products. Al solicitar una autorización de devolución, incluya todos los números de catálogo que se muestran en los productos.

CÓMO OBTENER SERVICIO DE GARANTÍA Y PIEZAS DE REPUESTO EN GARANTÍA MÁS INFORMACIÓN GENERAL

1. Servicio o piezas de repuesto en garantía **1-800-642-4328**
2. Compra de piezas de repuesto **1-800-654-3545**
3. Información general del producto **www.marleymep.com**

Nota: Al obtener servicio, tenga siempre a la mano lo siguiente:

1. Número de modelo del producto
2. Fecha de fabricación
3. Nombre o descripción de la pieza

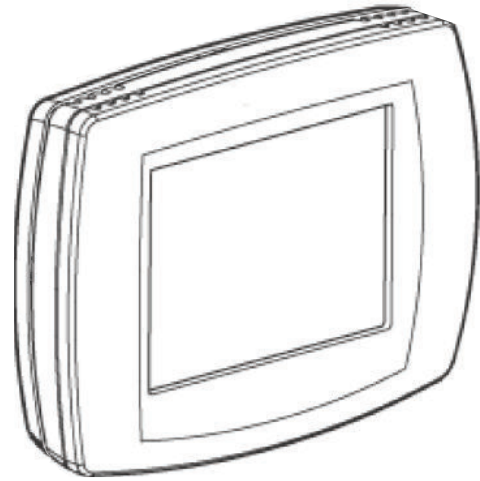


Marley®
Engineered Products

470 Beauty Spot Rd. East
Bennettville, SC 29512 USA



Marley[®]
Engineered Products



Smart Series Plus

Guide d'installation et d'utilisation

PRÉCAUTIONS CONCERNANT L'INSTALLATION ET INFORMATIONS DE SÉCURITÉ IMPORTANTES

Lisez toutes les directives

L'omission de respecter les directives peut entraîner des dommages à l'équipement ou une situation dangereuse. Lisez attentivement toutes les directives avant d'installer l'équipement.

Codes et pratiques locaux

Installez toujours l'équipement en conformité avec le Code national de l'électricité et de manière acceptable pour l'autorité compétente locale.

Sensibilité électrostatique

Ce produit et ses composants peuvent être sensibles aux décharges électrostatiques (DES). Utilisez les techniques de mise à la terre DES appropriées lors de la manipulation du produit. Si possible, manipulez toujours le produit par ses composants non électriques.

Danger de la foudre et des tensions élevées

La plupart des blessures électriques impliquant du câblage de basse tension découlent de tensions élevées soudaines et non prévues sur du câblage normalement de basse tension. Le câblage de basse tension peut transporter des tensions élevées dangereuses sous des conditions non sécuritaires.

Danger de la foudre et des tensions élevées

La plupart des blessures électriques impliquant du câblage de basse tension découlent de tensions élevées soudaines et non prévues sur du câblage normalement de basse tension. Le câblage de basse tension peut transporter des tensions élevées dangereuses sous des conditions non sécuritaires. N'installez ni ne connectez jamais du câblage ou de l'équipement pendant des orages électriques. Un câblage mal protégé peut transporter une décharge mortelle d'un éclair sur plusieurs kilomètres. Tout le câblage d'extérieur doit être équipé de protecteurs de circuit de signal certifiés et correctement mis à la terre. Ceux-ci doivent être installés en conformité avec les codes locaux applicables. N'installez jamais de câblage ou d'équipement avec les pieds dans de l'eau.

Séparations câblage et équipement

Tout le câblage et les contrôleurs doivent être installés pour minimiser les possibilités d'un contact accidentel avec d'autre câblage d'éclairage et d'alimentation potentiellement dangereux et préjudiciable. Ne placez jamais du câblage 24 VCA ou de communications près d'autres fils électriques nues, de paratonnerres, d'antennes, de transformateurs ou de tuyaux contenant de la vapeur ou de l'eau chaude. Ne placez jamais du fil dans tout conduit, boîte, canal, gaine ou autre boîtier contenant des circuits électriques ou d'éclairage de tout genre. Fournissez toujours une séparation adéquate du câblage de communications et des autres câblages électriques en conformité avec le code. Maintenez le câblage et les contrôleurs à au moins 1,8 m (6 pi) des grandes charges inductives (panneaux de distribution électrique, ballasts d'éclairage, moteurs, etc.). L'omission de respecter ces lignes directrices peut provoquer des interférences électriques. Le système pourrait fonctionner de manière irrégulière.



ATTENTION



Cet équipement a été testé et trouvé conforme avec les limites pour un dispositif numérique de Classe A, suite à la Partie 15 des règles de la FCC. Ces limites sont conçues pour fournir une protection raisonnable contre les interférences dangereuses lorsque l'équipement est utilisé dans un environnement commercial. Cet équipement génère, utilise et peut émettre de l'énergie de radio-fréquences. Si non installé ni utilisé en conformité avec le manuel d'instructions, l'équipement peut provoquer des interférences dangereuses pour les communications radio. L'utilisation de cet équipement dans une zone résidentielle va sans doute provoquer des interférences dangereuses. Dans un tel cas, l'utilisateur devra corriger les interférences à ses propres frais.

CONSERVEZ CES DIRECTIVES

À PROPOS DE CE DOCUMENT ET DES PUBLICATIONS ASSOCIÉES

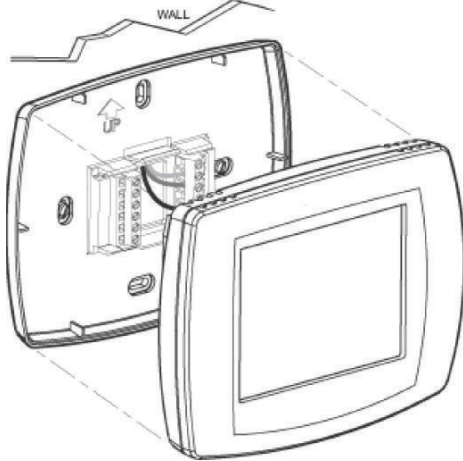
Ce document fournit l'information concernant l'installation et le câblage d'un Smart Series Plus à l'équipement, l'énergie et les canaux de communication. Il montre également comment utiliser l'interface utilisateur.

IMPORTANT : Installez toujours l'équipement en

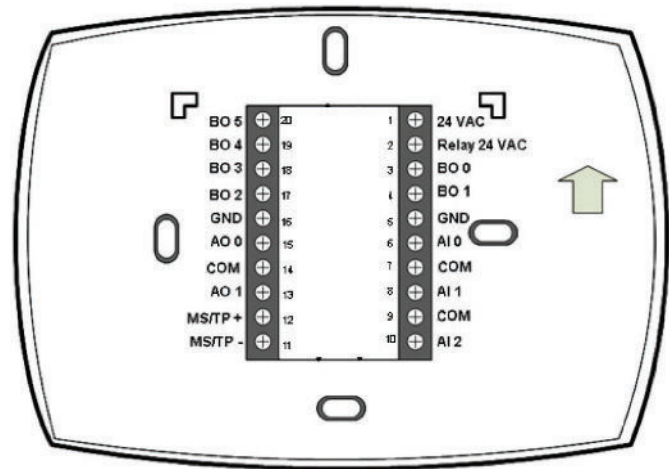
conformité avec le Code national de l'électricité et de manière acceptable pour l'autorité compétente locale. Aucune lignes directrices, directives, pratiques d'installation ou autres informations présentées dans ce guide ne doivent être interprétées remplacer ou modifier les Codes et pratiques locaux de l'autorité compétente.

Inspecter le câblage du Smart Series Plus Wiring

Pour démonter la plaque frontale du Smart Series, trouvez le creux pour pouce centré au haut et au bas du thermostat. Tirez vers l'avant. Le Smart Series Plus et ses composants électroniques se sépareront de la plaque murale comme illustré ci-dessous.



Inspectez le câblage pour vérifier si les fils sont tous bien fixés, et qu'aucun ne se soit relâché ou débranché.



Numéro de la plaque murale	Étiquette de contact de la plaque murale	Connexion du bornier TB2 (pour AÉROTHERMES D'ARMOIRE)	Connexion du bornier de commande (pour MUH / HUHAA HEATERS)	Función de conexión
1	24 VAC	41	C1	Alimentation pour les composants électroniques du contrôleur du Smart Series Plus
2	Relais 24 VAC	None	None	Alimentation pour les relais de sortie du contrôleur du Smart Series Plus
3	BO 0	47	T3	REMARQUE : La broche G ne fera pas fonctionner le moteur sur MUH/HUHAA, sans un accessoire de relais de ventilateur 24 V (vendu séparément).
4	BO 1	None	None	
5	GND	44	C4	Retour d'alimentation, ou « commun » pour l'électronique du contrôleur Smart Series Plus
6	AI 0	None	None	
7	COM	None	None	
8	AI 1	None	None	
9	COM	None	None	
10	AI 2	None	None	
11	MS/TP -	42	T6	BMS-
12	MS/TP +	43	T5	BMS+
13	AO 1	None	None	
14	COM	39	None	
15	AO 0	None	None	
16	GND	None	None	
17	BO 2	None	None	
18	BO 3	45	T1	1er stage de chauffage
19	BO 4	46	T2	2e stage de chauffage
20	BO 5	None	None	

Tableau 1 : Câblage de plaque arrière

To Pour remettre en place, alignez les blocs de bornier de la plaque murale avec les tiges situées à l'arrière du Smart Series

Plus. Poussez la plaque frontale directement sur la plaque murale.

Diagramme de câblage

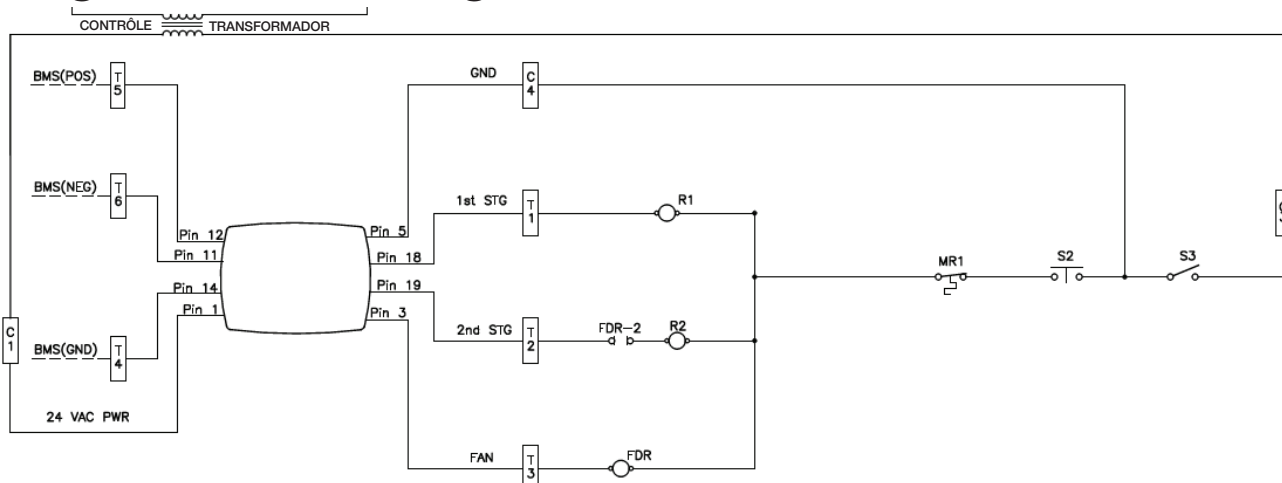


Figure 1: Câblage de l'appareil de chauffage en armoire

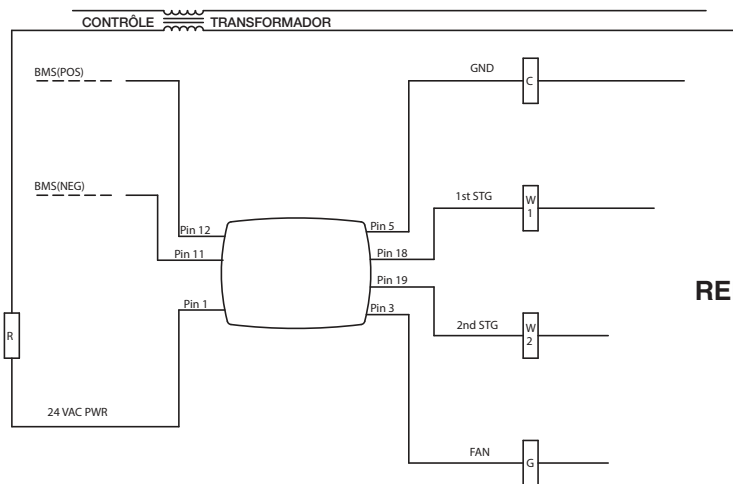


Figure 2: MUH/HUHAA Câblage de chauffage

RAPPEL : Déconnectez le thermostat interne installé en usine sur MUH/HUHAA, avant de câbler le Smart Series Plus conformément à la Figure 2.

REMARQUE : La broche G ne fera pas fonctionner le moteur sur MUH/HUHAA, sans un accessoire de relais de ventilateur 24 V (vendu séparément).

Câblage réseau local MS/TP

The Smart Pour remettre en place, alignez les blocs de bornier de la plaque murale avec les tiges situées à

l'arrière du Smart Series Plus. Poussez la plaque frontale directement sur la plaque murale.

Tableau 2 : Faits réseau local MS/TP

Vitesse de transmission	9.6, 19.2, 38.4, 76.8Kbps (configuré au contrôleur général).
Disposition	Bus.
Câblage	BACnet spécifie ce qui suit. Câblage blindé à paire torsadée avec impédance caractéristique se situant entre 100 et 130 W. La capacitance distribuée entre les conducteurs doit être inférieure à 100 pF/m (30 pF/pied). La capacitance distribuée entre le conducteur et le blindage doit être inférieure à 200 pF/m (60 pF/pied). Un blindage d'aluminium ou tressé est acceptable.
Longueur de segment	4000 ft. (1071 m.) par segment à l'aide du fil recommandé.
Dispositifs maximum en généra	Selon la classification des dispositifs en tant que maître ou esclave. Le nombre maximum de dispositifs maîtres est de 128. Le nombre maximum de dispositifs esclaves ou de dispositifs en tout (maître et esclave mélangés) est de 255. Cela comprend les Smart Series Plus qui sont considérés maîtres.
Dispositifs maximum par segment	Selon la charge unitaire relative des dispositifs (consultez « Terminer le câblage de réseau local MS/TP »).
Répétiteurs	Requis lors de courses de câble supérieures à 1 071 m (4000 pi). Trois répétiteurs maximum entre deux dispositifs quelconque.
Résistances de terminaison	Des résistances concordantes requises à chaque extrémité du bus de segment câblé entre (+) et (-). Utilisez des résistances de précision concordantes classées ¼ W ±1 % / 80 à 130 Ohms.
Mise à la terre du blindage	Mettez à la terre le fil de drainage du blindage à un seul point de mise à la terre (panneau), et non à la mise à la terre du Smart Series Plus. Enroulez de ruban le fil de drainage du blindage à l'autre extrémité. Attachez le fil de drainage du blindage sur chaque Smart Series Plus.

ATTENTION : Ne mélangez pas les résistances de terminaison. Assurez-vous que les deux résistances sur un segment ont la même valeur.

REMARQUE : Normalement, le blanc est « Données - » et le noir est « Données + ».



Figure 9: Détail de la résistance de terminaison

Configuration

Une fois le Smart Series Plus monté et câblé, configurez-le depuis l'écran tactile Smart Series Plus

Régler la date et l'heure

Lors de la première mise en marche du contrôleur, vous pourriez devoir régler la date et l'heure. Elles sont réglées en usine, mais l'alimentation électrique intégrée pourrait s'être épuisée. Si c'est le cas, réglez la date et l'heure.

Pour régler l'heure

1. Appuyez sur Clock (Horloge) situé au bas de l'écran.
2. Utilisez les flèches pour régler l'année, le mois et le jour.
3. Appuyez sur DONE (Terminé).
4. Réglez l'heure et appuyez sur DONE (Terminé).

Pour régler manuellement la date et l'heure après la configuration initiale, consultez « Fonctionnement de l'horloge » à la page 6.

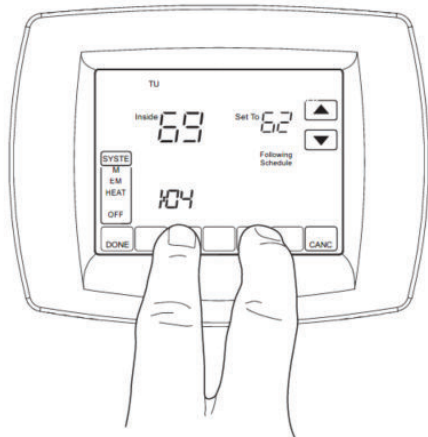
Régler l'adresse MAC et l'occurrence de dispositif

L'adresse MAC par défaut de l'usine est 0. Les adresses MAC valides sont 0 à 127. L'occurrence de dispositif par défaut est 0009999. Les occurrences de dispositif valides sont 0 à 4194302.

Remarque : L'occurrence de dispositif peut également être réglée à l'aide d'un Superviseur BACnet.

Pour régler l'adresse MAC et l'occurrence de dispositif à l'écran

1. Depuis l'écran d'accueil, appuyez sur SYSTEM (Système) (côté gauche de l'écran). Cinq touches « blanc » apparaîtront au bas de l'écran.
2. Maintenez appuyé deux touches « blanc » d'un côté ou l'autre de la touche centrale pendant environ cinq secondes (consultez la Figure ci-dessous).



L'écran de configuration de l'installateur (ISU) apparaît. Un code ISU est affiché dans la partie gauche inférieure. Il a un code à 4 chiffres débutant avec zéro. Le réglage actuel est affiché dans la partie droite inférieure.

3. Utilisez la flèche du bas située près du code de configuration de l'installateur pour passer au code ISU 800.
4. Utilisez les flèches haut et bas près du réglage

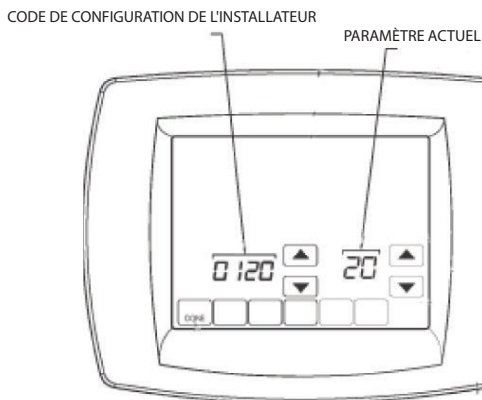


Figure 11 : Écran ISU

actuel pour régler le code ISU 800 (adresse MAC) à une valeur entre 0 et 127.

5. Réglez le code ISU 801 (premier chiffre de l'instance du dispositif) à une valeur entre 0 et 4.

Remarque : L'occurrence de dispositif se règle en saisissant les valeurs dans quatre codes ISU séparés.

6. Réglez le code ISU 802 (deuxième et troisième chiffres de l'instance du dispositif) à une valeur entre 00 et 99.
7. Réglez le code ISU 803 (quatrième et cinquième chiffres de l'instance du dispositif) à une valeur entre 00 et 99.
8. Réglez le code ISU 804 (sixième et septième chiffres de l'instance du dispositif) à une valeur entre 0 et 99.
9. Appuyez sur DONE (Terminé) pour quitter la configuration de l'installateur.

Par exemple, si vous désirez régler l'adresse MAC à 15 et l'occurrence du dispositif à 176, vous devez utiliser ces réglages :

ISU code 800=15
ISU code 801=0
ISU code 802=00
ISU code 803=18
ISU code 804=76

Codes (ISU) de configuration de l'installateur

Le Mode configuration de l'installateur fournit un accès à des fonctions spécifiques à l'installation d'un Smart Series Plus. Certains paramètres de la configuration du Smart Series Plus peuvent être modifiés depuis les écrans ISU. Les paramètres ISU peuvent également être accédés via BACnet.

Vous pouvez nécessiter un NIP pour accéder au mode ISU en réglant AV-133 à un numéro de quatre chiffres, non-zéro.

Pour accéder aux écrans ISU

1. Depuis l'écran d'accueil, appuyez sur SYSTEM (Système) (côté gauche de l'écran).
2. Cinq touches « blanc » apparaîtront au bas de l'écran entre les touches **Done** (Terminé) et **Cancel** (Annuler). Maintenez appuyé les deux touches « blanc » d'un côté ou l'autre de la touche centrale pendant environ cinq secondes.
3. Si un code NIP est requis, utilisez les flèches du haut pour sélectionner les deux premiers chiffres du code, et les flèches du bas pour sélectionner les chiffres 3 et 4 du code, appuyez ensuite sur **DONE** (Terminé).

L'écran ISU apparaît.

4. Utilisez les flèches pour sélectionner les paramètres et les valeurs. Consultez le

5. Appuyez sur **DONE** (Terminé).

Remarque : Après 5 minutes d'inactivité, l'écran ISU revient à l'écran

Tableau 2 ci-dessous pour les détails.

Code du paramètre ISU	Description	Valeurs permises
120	Année; premiers 2 chiffres	19-21
130	Année; seconds 2 chiffres	00-99 (00-54 if ISU 200=21)
140	Mois	1-12
150	Jour	1-31
160	Programmable de jour 4 à 7	0 – non programmable (BV-133=0) 4 – 7 jour programmable (BV-133=1)
280	Contrôle Rétroéclairage	0 – activé pendant 20 secondes après pression de touche 1 – basse toujours allumée brillante après pression de touche
320	Échanger BV-69 Impérial/Métrique BV-69	1 – montre les unités opposées à celles spécifiées dans l'en-tête
330	Économie de jour AV-127	0 – désactivé; aucun réglage automatique 1 – avant le schéma 2007 2 – Schéma 2007 et plus tard
500	Rappel de changement de filtre AV-124	0 – Rappel de changement de filtre 1 – 10 jours 2 – 30 jours 3 – 60 jours 4 – 90 jours 5 – 120 jours 6 – 365 jours
540	Périodes du programme AV-129	2 – Réveil/Sommeil 4 – Réveil/Quitter/Retourner/Sommeil
640	Format d'horloge BV-83	12 – 12 heures (BV-83=0)
670	Blocage clavier numérique AV-128	0 – aucun blocage 1 – accéder aux réglages de température seulement 2 – complètement bloqué
700	Décalage de la température de pièce détectée (AV-138)800	-20 à -15,6 oC (-4 à +4 oF) 0-127
800	MS/TP MAC	0-127
801	Instance du dispositif BACnet - premier chiffre	0-4
802	Instance du dispositif BACnet - deuxième et troisième chiffres	00-99 0-127
803	Instance du dispositif BACnet - quatrième et cinquième chiffres	00-99 00-99
804	Instance du dispositif BACnet - sixième et septième chiffres	00-99 00-99

Codes de service sur le site fixes

Le Mode de service sur le site permet aux techniciens d'interroger et de commander les variables de fonctionnement principales dans le Smart Series Plus lorsqu'ils sont sur un écran tactile Smart Series Plus. Un technicien appuie sur une séquence de touches spécifiques sur le Smart Series Plus pour entrer dans le mode de service sur site. The lower left of the LCD shows the two-digit data code and the main area displays the data value. A pre-defined list of data codes is available within the description of each application. En mode service sur site, un technicien utilise les flèches de gauche pour défiler au travers des codes de données, et les

flèches de droite pour modifier la valeur associée à un code spécifique.

La section gauche du bas de l'ACL affiche le code de données à deux chiffres. La zone principale affiche la valeur de la donnée. Une liste pré-définie de codes de données est disponible au sein de la description de chaque application.

Remarque : Lors de l'utilisation de l'interface utilisateur locale pour modifier des applications (AV-49), les valeurs par défaut de l'application ne changeront PAS. Elles doivent être modifiées manuellement.

Vous pouvez refuser aux utilisateurs l'accès au mode service sur le site en réglant BV-68 ACTIVÉ. Vous pouvez aussi .

exiger un code NIP pour entrer dans le mode de service sur le site en réglant AV-132 au numéro NIP désiré

Le Mode de service sur le site se termine automatiquement si aucune touche n'est appuyée pendant 5 minutes.

Régler les codes de service sur le site

Pour régler les codes de service sur le site

1. Depuis l'écran d'accueil, appuyez sur SYSTEM (Système) (côté gauche de l'écran).
2. Maintenez appuyé la touche du bas au centre (blanc) pendant environ cinq secondes.
3. Si un code NIP est requis, utilisez les flèches du haut pour sélectionner les deux premiers chiffres du

Aperçu opérationnel

The Le Smart Series Plus fonctionne dans l'un des trois modes - Point de réglage, Point de réglage unique d'occupation et Point de réglage double d'occupation.

Caractéristiques communes

Cette section décrit les caractéristiques communes à tous les modes de fonctionnement.

Fonctionnement du rétroéclairage de l'ACL

BV-79 contrôle le fonctionnement du rétroéclairage. Si BV-79 est réglé à DÉSACTIVÉ, le rétroéclairage s'ACTIVÉ lorsque toute touche est appuyée, et reste activé pendant 20 secondes par la suite si aucune touche n'est de nouveau appuyée. Si BV-79 est réglé à ACTIVÉ, le rétroéclairage est ACTIVÉ de manière continue.

Fonctionnement de l'horloge

L'horloge en temps réel du Smart Series Plus fournit l'heure et la date pour l'affichage de la date et l'heure, la mise en place des réglages des économies de jour, et la mise à jour des horaires. Si une panne de l'énergie CA a lieu, un super condensateur alimentera l'horloge pendant 10 jours. Si la date et l'heure sont perdues, le Smart Series Plus affichera les écrans d'heure et de date réglés lors de sa mise en marche.

Remarque : L'horloge en temps réel est séparée de l'utilitaire de maintien de l'heure du CPU. Cela ne touche que les éléments indiqués dans cette section.

Les réglages des économies de jour (DLS) peuvent être contrôlés par un Smart Series Plus ou par un superviseur BACnet. Si le paramètre 330 de la configuration de l'installateur (ISU) est réglé à non-zéro, le Smart Series Plus contrôlera les réglages du DLS. Si l'ISU 330 est zéro, le DLS est contrôlé par un Superviseur BACnet.

L'horloge accepte les synchronisations de temps d'un Superviseur BACnet. Si configuré en DDS, la date et l'heure peuvent aussi être réglées manuellement à l'aide de l'écran. Pour refuser une permission d'utilisateur de régler l'horloge, réglez BV-116 à 1.

L'ultime commande de temps, qu'elle provienne de l'écran de l'utilisateur ou de BACnet, a précedence.

Pour régler l'horloge en temps réel

1. Appuyez sur CLOCK (Horloge).
2. Utilisez les touches de flèche pour sélectionner une année, mois et jour.
3. Appuyez sur DONE (Terminé).
4. Sélectionnez une heure.
5. Appuyez sur DONE (Terminé).

code, et les flèches du bas pour sélectionner les chiffres 3 et 4 du code, appuyez ensuite sur **DONE** (Terminé).

L'écran de service sur le site apparaît.

4. Appuyez sur les flèches de gauche haut ou bas jusqu'à apparition du code désiré. Référez-vous au Tableau 23 pour tous les codes disponibles.
5. Appuyez sur les flèches de droite haut ou bas pour régler la valeur associée avec le code.
6. Appuyez sur les flèches de gauche haut ou bas pour accepter le changement et pour défiler vers un code différent.
7. Appuyez sur **DONE** (Terminé) pour quitter le mode de service sur le site. Aperçu opérationnel

Navigation à l'aide de la touche MORE (Plus)

La touche **MORE** (Plus) permet à un programmeur de rendre des écrans supplémentaires disponibles aux utilisateurs. L'activation de l'affichage d'un de ces écrans ou plus fait apparaître la touche **MORE** (Plus) sur l'écran principal. Les écrans pouvant être rendus disponibles sont :

- Humidité à l'intérieur

Lorsque l'utilisateur appuie sur **MORE** (Plus), le premier écran activé apparaît. Appuyer de nouveau sur **MORE** (Plus) affiche l'écran suivant.

Nettoyage de l'écran tactile

Si l'écran d'affichage doit être nettoyé, l'utilisateur appuie sur **SCREEN** (Écran). L'écran se bloque pendant 30 secondes. Ce délai permet à l'utilisateur d'essayer l'écran sans appuyer sur les touches. Lorsque l'écran affiche 0, appuyez sur **SCREEN** (Écran) pour poursuivre le nettoyage ou **DONE** (Terminé) pour quitter. Utilisez un nettoyant pour vitre non abrasif.

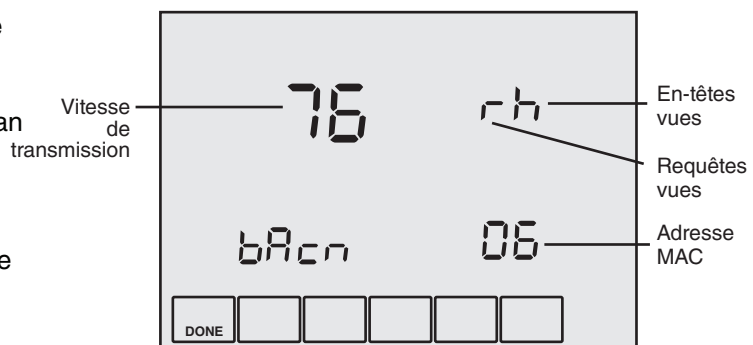
Vérifier la communication MS/TP

Vous pouvez à partir de l'écran vérifier la communication MS/TP. Le Smart Series Plus indiquera si les paquets et les en-têtes MS/TP ont été vus, la vitesse de transmission et l'adresse MAC.

Pour vérifier la communication MS/TP

1. Entrez en mode de service sur le site. Consultez « Pour régler les codes de service sur le site ».
2. Assurez-vous que le code UC est affiché.
3. Appuyez sur la touche libre, normalement étiquetée **MORE** (Plus) (bouton du bas le plus à droite).
4. Appuyez sur la flèche du bas située près du code UC.

L'écran de communication MS/TP apparaît.



5. Appuyez sur DONE (Terminé) deux fois pour quitter.

Modes d'Occupation configurables

- Bloc SYSTÈME : Sélection AUTO/DÉSACTIVÉ (occupé/disponible)
- Mode Occupation (AV-123=0, par défaut) : Planifie les états d'Occupation
- Mode du point de réglage (AC-123=1) : Planifie les Points de réglage
- Mode Point de réglage double (AV-123=2) : Points de réglage doubles lorsque Occupé
- Horaires internes activés lorsque BV-133 est actif ou ISU 160=4
- Horaires BMS activés lorsque BV-56 est actif

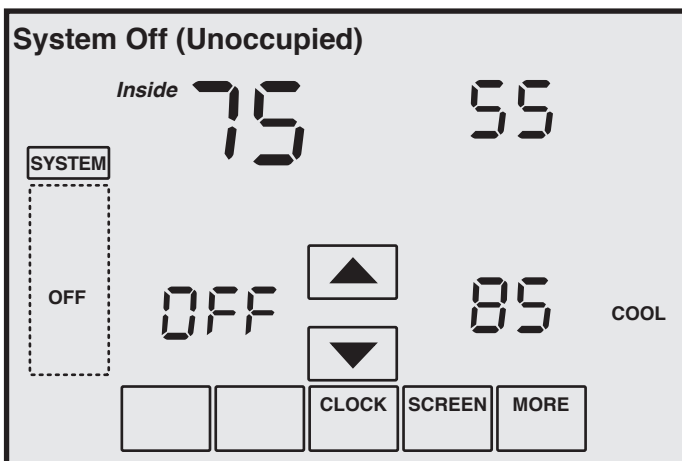
Séquences de fonctionnement

Les sorties de contrôleur sont désactivées lorsque Activer Sorties [OE] BV-2 DÉSACTIVÉ/ACTIVÉ est dans l'état DÉSACTIVÉ (inactif). N'activez pas les sorties à moins d'être sûr que le câblage et la configurations sont corrects et complétés.

Contrôle du Bloc SYSTÈME (BV-102)

Lorsque l'appareil est configuré pour fonctionner en Mode

Figure 31 Écran : Bloc SYSTÈME DÉSACTIVÉ;
Bloc SYSTÈME AUTO



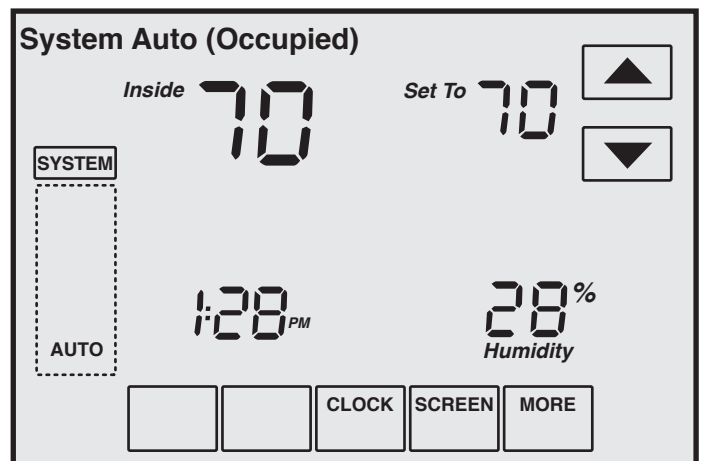
Occupation, le Bloc SYSTÈME permet le contrôle direct de la part de l'utilisateur de l'état occupé ou non occupé depuis l'écran de contrôle. Sélectionner « Auto » place le contrôleur dans l'état Occupé. Sélectionner « DÉSACTIVÉ » place le contrôleur dans l'état Disponible.

Le Bloc SYSTÈME peut être masqué en réglant BV-102 à inactif. Lorsque le Bloc SYSTÈME est masqué, les états d'occupation sont contrôlés exclusivement par les horaires intégrés ou BMS

Si les horaires intégrés ou BMS sont activés, la sélection « DÉSACTIVÉ » remplacera l'état planifié du contrôleur et forcera l'appareil au mode Disponible. Si vous ne désirez pas que l'utilisateur aille cette option, réglez BV-102 à inactif pour masquer le Bloc

SYSTÈME.

Vous pouvez de manière optionnelle modifier le comportement du réglage Bloc SYSTÈME « DÉSACTIVÉ », afin que plutôt de placer le contrôleur dans l'état Disponible, le contrôleur éteindra le ventilateur. Le chauffage et le refroidissement sont désactivés lorsque le ventilateur est désactivé. Le ventilateur restera désactivé jusqu'à ce que l'utilisateur change le Bloc SYSTÈME à « Auto ». Réglez BV-10 à actif pour permettre cette option.



Configurer les horaires

Le BACnet FF peut être configuré pour suivre un horaire interne en réglant le paramètre ISU 160 ou le BV-133. Le BACnet FF peut également être planifié par un BMS. Réglez BV-56 à actif pour activer les horaires BMS. BV-133 passe à inactif lorsque BV-56 est actif.

Si l'horaire interne est DÉSACTIVÉ, l'utilisateur peut régler le point de réglage (à l'intérieur des limites du point de réglage).

Les horaires sont enregistrés dans une mémoire flash. Ils persistent donc même si l'appareil est éteint/rallumé.

Contrôle de l'occupation (AV-123 = 0, default)

Le contrôleur fonctionne dans l'état Occupé lorsque la Commande Occupé (BV-64) est ACTIVÉE par une de ces options :

- Lorsque le Bloc SYSTÈME « AUTO » du contrôleur est sélectionné par l'utilisateur
- Par un horaire interne local, qui écrit BV-40 à une priorité 16
- Par une commande envoyée d'un horaire BMS ou

d'une priorité d'opérateur BMS, écrivant à BV-40.

Remarque : Si l'utilisateur a le droit de commander le Bloc SYSTÈME, cette commande est réglée à une priorité 10. Les horaires BMS doivent écrire à l'une des priorités 12-16 du BV-40 pour éviter de remplacer la commande de l'utilisateur.

- Lorsque l'occupant a lancé une priorité après la fermeture en appuyant sur les flèches de priorité situées sur l'écran tactile.

Les Points de réglages disponibles sont activés lorsque le Bloc SYSTÈME du contrôleur est réglé à « DÉSACTIVÉ » par l'utilisateur.

Lors du fonctionnement dans l'état Disponible, les flèches Haut/Bas de remplacement peuvent être appuyées pour forcer le contrôleur dans l'état Occupé pendant jusqu'à 4 heures (valeur par défaut). La limite de temps de priorité (AV-97) est réglable d'un minimum de heures jusqu'à un maximum de 9,5 heures.

Régler BV-9 à actif fait en sorte que le contrôleur se met par défaut à l'état Occupé lorsque la communication avec le BMS est perdue de manière continue pendant plus de 5 minutes. La commande à l'état Occupé est mise en place en réglant BV-64 à actif.

Points de réglage de chauffage et refroidissement Occupés, Disponibles, et En attente*

Lors du fonctionnement dans l'état Disponible, le point de réglage du refroidissement et du chauffage retourne aux valeurs spécifiques :

- Le Point de réglage de refroidissement actuel (AV-99) = Point de réglage de refroidissement disponible (AV-95)
- Le Point de réglage de chauffage actuel (AV-100) = Point de réglage de chauffage disponible (AV-96)

Lors du fonctionnement dans l'état Occupé, les points de réglage du refroidissement et du chauffage sont calculés comme des décalages du Point de réglage de l'espace réglable par l'utilisateur (AV-90) :

- Le Point de réglage de refroidissement actuel (AV-99) = AV-90 plus AV-93 plus Décalage de demande (AV-106)
- Le Point de réglage de chauffage actuel (AV-100) = AV-90 moins AV-94 moins Décalage de demande (AV-106)

Lors du fonctionnement en Mode En attente, le Point de réglage de refroidissement actuel et le Point de réglage de chauffage actuel sont calculés comme pour le Mode Occupé décrit ci-haut. Par contre, le décalage de l'attente ([SO]:, AV-19) est transférée au Décalage de la demande (AV-106) avant les calculs, entraînant des points de réglage détendus pendant

Le réglage par l'utilisateur de la valeur du Point de réglage de l'espace (AV-90) est limité par la Limite supérieure du point de réglage (AV-91) et la Limite inférieure du point de réglage (AV-92)

*Fonctionnement de refroidissement est uniquement le souffleur, aucun chauffage

Tableau 21 : Valeurs du point de réglage dans le contrôle d'occupation

Code du champ	Description
[:SP]	AV-90 Point de réglage de l'espace
[:HI]	AV-91 Limite supérieure du point de réglage
[:LO]	AV-92 Limite inférieure du point de réglage
[:CO]	AV-93 Décalage du point de réglage de refroidissement
[:HO]	AV-94 Décalage du point de réglage de chauffage
[:UC]	AV-95 Point de réglage de refroidissement disponible
[:UH]	AV-96 Point de réglage de chauffage disponible
[CS]	AV-99 Point de réglage de refroidissement calculé courant
[HS]	AV-100 Point de réglage de chauffage calculé courant
--	AV-106 décalage de demande (la valeur AV-106 actualise AV-99, AV-100)
[SO]	AV-19 décalage de l'attente; minimum 0, maximum 6 degrés

Ajuste de la compensación de calefacción y refrigeración

La température ambiante peut différer de la température au thermostat. Lorsque le chauffage est constamment trop haut ou trop bas par rapport à la température réglée, l'utilisateur peut diminuer ou augmenter la valeur de compensation de chauffage [:HO], ce qui diminue (ou augmente) le point de réglage de chauffage [HS] auquel le chauffage se met en marche. Rappelez-vous que [HS] = [:SP] - [:HO], où [:SP] est la température cible de la pièce réglée par l'utilisateur. Dans l'écran de service sur place, ajustez le code de champ [:HO] de 1-99 au nombre de degrés de température à soustraire de [:SP], le résultat de cette soustraction étant la température [HS] à laquelle le mode de chauffage sera activé. Par exemple, si [:SP] = 70, le réglage de [:HO] = 5 commande l'activation du chauffage si la température ambiante tombe à 65 F ou moins. En outre, vous devez vérifier que le mode de commande du ventilateur est correctement réglé (FC=3). Voir le tableau 23.

Si le ventilateur (sans chauffage) fonctionne trop souvent ou trop rarement pour le confort des occupants, l'utilisateur peut augmenter ou diminuer la valeur de compensation de refroidissement [:CO] qui modifie le point de réglage de refroidissement [CS] auquel le ventilateur (sans chauffage) se met en marche. Rappelez-vous que [CS] = [:SP] + [:CO], où [:SP] est la température cible de la pièce définie par l'utilisateur. Dans l'écran de service sur place, ajustez le code de champ [:CO] de 1 à 99, cette valeur représentant les degrés de compensation à ajouter à [:SP]. Par exemple, si [:SP] = 70, le réglage de [:CO] = 5 commande la mise en marche du ventilateur (sans chauffage) si la température ambiante atteint ou dépasse 75 F. En outre, vous devez vérifier que le mode de commande du ventilateur est correctement réglé (FC=3). Voir le tableau 23.

Contrôle du point de réglage (AV-123 = 1)

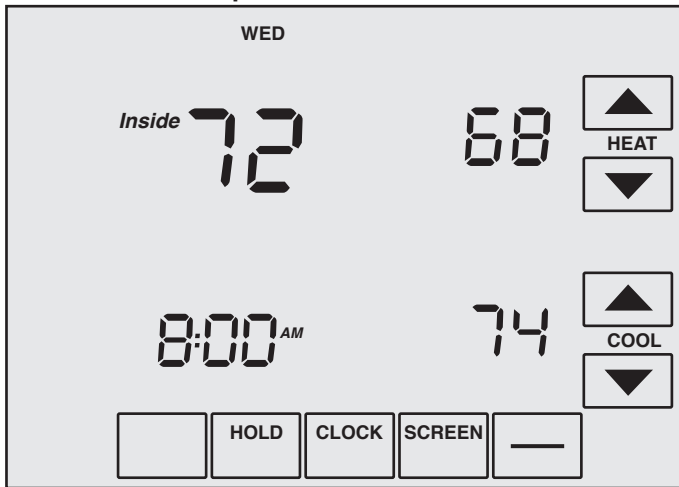
En mode point de réglage, le contrôle émule logiquement les thermostats résidentiels. La température de l'espace est contrôlée à « SP Mode refroidissement SP » (AV-108) et « SP Mode Chauffage SP » (AV-109). Ces points de réglage sont inscriptibles à l'aide de BACnet. Chaque période d'horaire consiste en une heure de début, un point de réglage de chauffage, et un point de réglage de refroidissement. Le nombre maximum de périodes par jour est configuré à l'aide du paramètre ISU 540 (AV-129). Une valeur de 2 spécifie deux périodes par jour : Réveil et Sommeil. Une valeur de 4 spécifie quatre périodes par jour : Réveil, Quitter, Retour et Sommeil. Le planificateur sélectionne le dernier début de période valide avant l'heure présente comme période à utiliser. Les horaires du mode Point de réglage ne peuvent être accédés à l'aide de BACnet. L'unique façon de voir, modifier et enregistrer un horaire est depuis l'écran ACL de l'appareil.

Remarque : Les Points de réglage sont inscriptibles à l'aide de BACnet. Les horaires ne peuvent être accédés à l'aide de BACnet.

Si le mode En attente est actif, les points de réglage du chauffage et du refroidissement sont réglés par le décalage en attente ([SO] :, AV-19).

Remarque : Le Bloc SYSTÈME est masqué lorsque le contrôleur est en mode Contrôle du point de réglage.

Figure 32 : Écran Mode du point de réglage : Ventilateur à vitesse unique



Le point de réglage d'horaire a priorité dans le Mode point de réglage

Une priorité est créée à l'aide d'un des trois modes.

Temporaire- appuyez sur une flèche près d'un point de réglage. Les mots « Unité de température retenue » apparaissent au-dessus de l'écran de l'heure. Ce dernier affiche le temps de fin par défaut (le début de la prochaine transition d'horaire). Utilisez les flèches pour régler le temps de fin. Attendez quelques secondes. Les flèches près de l'heure de fin disparaissent et la priorité a lieu.

Permanent- appuyez sur **HOLD** (Retenue). Les mots « Retenue permanente » apparaissent sous l'écran de l'heure et la priorité a lieu.

En congé- tandis qu'en Retenue Permanente, appuyez sur **HOLD** (Retenue). Les mots « Unité de température retenue » apparaissent au-dessus de l'écran de l'heure. Utilisez les flèches pour sélectionner le nombre de jours (1 à 365) de la durée de la priorité. Attendez quelques secondes. Les flèches près de l'heure de fin disparaissent et la priorité a lieu.

Appuyer sur **CANCEL** (Annuler) retourne le BACnet FF à l'horaire courant.

Le statut de priorité du mode Point de réglage (AV-113 et MV-13), le maintien jusqu'à l'heure (AV-130), et le nombre de jours de congé restants (AV-130) peuvent être réglés à distance à l'aide de BACnet ou par DDC.

La capacité d'un utilisateur de régler des Maintiens Permanents ou De congé peut être refusée en réglant, respectivement, BV-115 et BV-130.

Mode Point de réglage double (AV-123 = 2)

En mode Point de réglage double, les quantités suivantes sont utilisées :

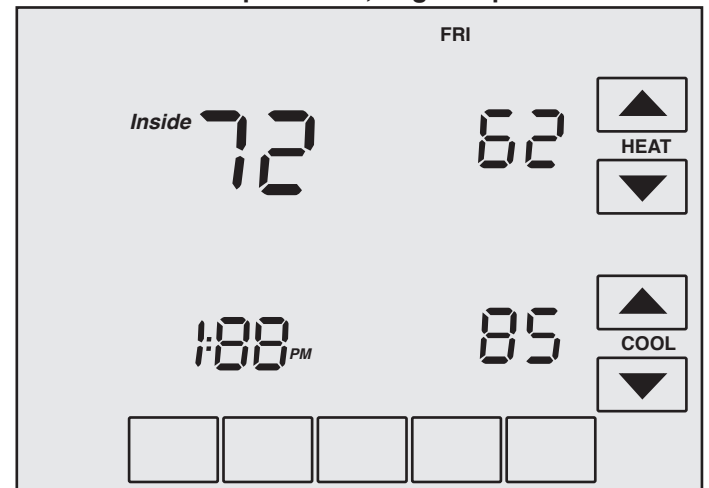
- Chauffage SP Occupé (AV-109)
- Refroidissement SP Occupé (AV-108)
- Chauffage SP Disponible (AV-96)
- Refroidissement SP Disponible (AV-95)
- V-109 et AV-108 sont utilisés pour contrôler les Points de réglage de chauffage occupé et de refroidissement occupé (souffleur seulement). Les deux sont inscriptibles à l'aide de BACnet ou de l'écran du

dispositif. Lorsque l'espace est occupé (BV-67 = Actif), AV-109 et AV-108 sont transférés aux points de réglage de chauffage et refroidissement courants (AV-100 et AV-99).

IMPORTANT! Le DDC ne doit pas utiliser directement AV-109 ou AV-108.

Lorsque l'espace est disponible, les Points de réglage de chauffage et derefroidissement disponibles (AV-96 et AV-95) sont transférés aux Points de réglage de chauffage et de refroidissement actuels (AV-100 et AV-99). Les Points de réglage de chauffage et de refroidissement disponibles ne peuvent pas être réglés par l'utilisateur. Ils peuvent être réglés à l'aide du mode de service sur le site ou d'une station de travail d'un opérateur. Les Points de réglage de chauffage et refroidissement disponibles ne sont pas transférés à AV-109 et à AV-108 pendant des périodes disponibles.

Figure 33 : Affichage de point de réglage double en Mode Occupé : Point de réglage de chauffage occupé AV-109, Point de réglage de refroidissement réglable par l'utilisateur et occupé AV-108, Réglable par l'utilisateur.



Remarque : Utilisez la touche **MORE** (Plus) pour afficher les valeurs de température et d'humidité OSA sur des écrans subséquents de réglage (AV-91 et AV-92). L'écriture à AV-109 et AV-108 est également limitée au Point de réglage du chauffage en bas du Point de réglage du refroidissement par un minimum d'1 degré.

Contrôle du mode ventilateur

Mode Occupation

Pendant le mode Occupation, le ventilateur fonctionne selon le Mode de ventilateur sélectionné.

- Contrôle du ventilateur AV-17 = 1 : Le ventilateur fonctionne de manière continue pour la ventilation.
- Contrôle du ventilateur AV-17 = 2 : Le ventilateur fonctionne de manière continue pour le refroidissement et effectue des cycles de mise en marche pour la demande de chauffage. En mode refroidissement, le ventilateur fonctionne de manière continue. En mode Chauffage, le ventilateur effectue des cycles de mise en marche seulement lorsque le signal de chauffage indique au ventilateur de fonctionner.
- Contrôle du ventilateur AV-17 = 3 : Le ventilateur effectue des cycles lorsque le refroidissement le chauffage est sélectionné ou pendant le mode Disponible seulement si indiqué de fonctionner la demande de refroidissement ou de chauffage.

Mode Point de réglage

- AV-227 =1 : Le ventilateur effectue des cycles de mise en marche selon la demande de refroidissement et de chauffage.
- AV-227 =2 : Le ventilateur fonctionne de manière continue.

Contrôle de vitesse du ventilateur analogique (en option)

La sortie AO-1 analogique de la vitesse du ventilateur passera de 0 à 100 % selon la demande du signal de chauffage ou de refroidissement.

Remarque : Les lecteurs de vitesse variable tournent à un T/M de moteur minimum, même si AO-1 est zéro en mode fonctionnement.

Points de réglage de chauffage et de refroidissement (souffleur seulement) en attente

L'état En attente est une fonction d'économie d'énergie du mode Occupation. Cela se produit lorsque l'espace est prévu Occupé, mais que les capteurs ne détectent personne dans l'espace. Dans ce cas, les points de réglage de chauffage et du refroidissement occupés sont détendus par le décalage en attente [SO]. Lorsque l'entrée En attente est active, l'économiseur est contrôlé à sa position complètement fermée. La valeur du Décalage en attente [SO] peut réglée entre un minimum de 0 et un maximum de 12 degrés.

Exemples: Si [:CS] = 72, [:HS] = 69, et [SO] = 4 alors les points de réglage sont détendus à [:CS] = 76, et [:HS] = 65.

Etat d'Attente Occupé, contacts câblés

Un contact de porte/fenêtre, un commutateur d'éclairage ou un capteur détecteur de mouvement est câblé à l'entrée d'attente BI-1. Le polarité du commutateur ouvert normalement/fermé normalement est configurée par BV-3 [uL]. Réglez BV-3 inactif pour des contacts ouverts normalement, actif pour des contacts fermés normalement.

Lorsque contrôleur est dans l'état Occupé et que l'entrée En attente (BI-1) est déclenchée, le statut la pièce passe à l'état d'En attente Occupé (référez-vous aux Points de réglage calculés chauffage et du refroidissement d'En attente ci-haut). Un BMS peut aussi être configuré surveiller BI-1 pour des alarmes d'ouverture de porte/fenêtre.

BV-4 est actif. La valeur du décalage de l'attente, [SO] AV-19, est transférée au décalage de la demande, AV-106. La valeur par défaut du [SO] AV-19 est 4. Le minimum est 0. Le maximum est 12.

État d'En attente occupé, Contacts sans fil (TB3026B-W uniquement)

L'interface du contrôleur sans fil règle BV-149 actif. BV-149 en état active remplace l'entrée câblée sur BI-1, qui ne possède plus la fonctionnalité de contrôle d'En attente. Si un fonctionnement en attente normal est requis, BV-148 doit être réglé à inactif permettant à BI-1 d'avoir un contrôle en attente, comme il le fait sur la version non sans fil. Jusqu'à 3 détecteurs de mouvement sans fil peuvent être configurés et jumelés au contrôleur pour détecter l'occupation de la pièce. Jusqu'à 8 capteurs de porte/fenêtre sans fil peuvent être configurés et jumelés au contrôleur pour surveiller le statut ouvert/fermé des fenêtres ou des portes. Lorsque le contrôleur est prévu Occupé, si toute fenêtre ou porte est ouverte et fermée sans détection de mouvements après 180 secondes, le statut de la pièce passe l'état d'En attente Occupé. Le contrôleur revient à l'état Occupé lorsque du mouvement est détecté. Si une porte ou une fenêtre est

laissée ouverte pendant plus de 180 secondes, le contrôleur se règle à l'état En attente.

Logique de l'attente : Dans l'état En attente, BV-4 est actif. La valeur du décalage de l'attente, [SO] AV-19, est transférée au décalage de la demande, AV-106. La valeur par défaut du [SO] AV-19 est 4. Le minimum est 0. Le maximum est 12.

Configuration d'entrée BI-1 optionnelle (TB3026B-W uniquement)

L'entrée BI-1 sur le BACnet FF peut être utilisée pour la surveillance de point par un BMS.

- Un contact sec s'ouvre normalement (p.ex., DPS du statut de filtre, etc.)
- Le décalage d'attente AV-19 est utilisé par la logique de surveillance d'attente sans fil. Ne réglez pas à zéro (0).

Demande de chauffage et de refroidissement

Température de l'espace et des Points de réglage de chauffage et de refroidissements courants à l'aide d'un algorithme de contrôle proportionnel-intégral (PI). Les deux signaux sont comparés. Le moindre des deux est réglé à zéro pour empêcher tout chauffage et refroidissement simultanément. En cas d'une Alarme de capteur de mauvais espace, les deux signaux de chauffage et refroidissement sont réglés à zéro. Au moment de la mise en marche ou de tout passage à l'état Occupé, le composant intégral est réinitialisé pour les boucles de contrôle PI du signal de chauffage et du signal de refroidissement.

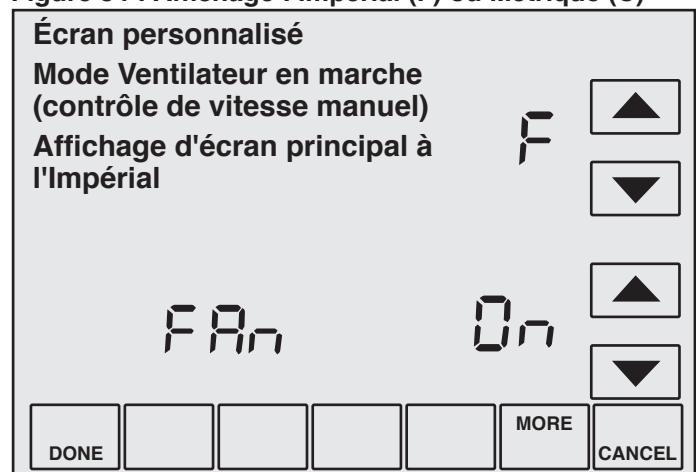
Signaux de chauffage et de refroidissement - Réglages PI

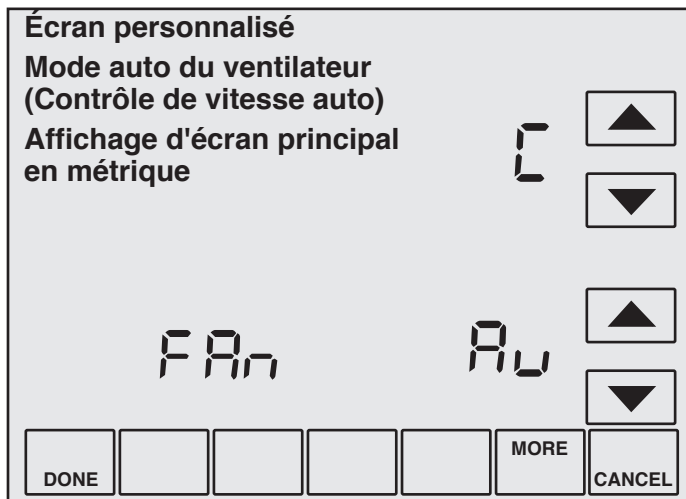
Les réglages PI du signal de chauffage sont le Kp du signal de chauffage (AV-41) et le Ki du signal de chauffage (AV-42). Les réglages PI du signal de refroidissement sont le Kp du signal de refroidissement (AV-43) et le Ki du signal de refroidissement (AV-44).

Configurations des unités Impérial/Métrique

L'écran contient des flèches de réglage pour changer l'écran principal de contrôle à « F » impérial ou « C » métrique. Les unités interne du contrôleur (impérial ou métrique) sont réglés par BV-71. BV-71 est réglé à inactif (par défaut 0 pour impérial ou actif pour métrique. Sélectionner une flèche de réglage ou l'autre mettra à jour l'affichage des unités en F ou C. Régler BV-8 (bloquer l'échange des unités d'affichage) à actif affichera les unités opposées comme indiqué par BV-71 et bloquera tout changement à l'affichage.

Figure 34 : Affichage : Impérial (F) ou Métrique (C)





Remarque : BV-55 contrôle l'affichage Ventilateur auto/Ventilateur activé. Régler BV-55 inactif masque Ventilateur Auto/Ventilateur Activé. Régler BV-55 actif montre le statut Ventilateur Auto/Ventilateur Activé. Si BV-55 est inactif, le contrôle inactif/actif de BV-58 par le BMS bascule Ventilateur Auto/- Ventilateur/ACTIVÉ.

Tableau 23 : Codes de configuration

Code	L'objet		Défaut	Options	Unités	Réglages de l'usine
AP	AV-49	Sélection de l'application	5	0-18		5
OE	BV-2	Activer la sortie	DÉSACTIVÉ ACTIVÉ	DÉSACTIVÉ/		Régler à ACTIVÉ pour activer les sorties
FC	AV-17	Ventilateur 1=Suite 2=CycHtg 3=CycHtgClg	1	1, 2, 3		3
SP	AV-90	Point de réglage de l'espace occupé	70	70	Deg	N/A
HI	AV-91	Limite supérieure du point de réglage	78	78	Deg	100.0°F
LO	AV-92	Limite inférieure du point de réglage	62	62	Deg	50.0°F
CO	AV-93	Décalage de refroidissement	2	2	Deg	N/A
HO	AV-94	Heating Offset	1	1	Deg	N/A
UC	AV-95	Décalage de chauffage	85	85	Deg	N/A
UH	AV-96	Point de réglage Clg disponible	55	55	Deg	N/A
AL	AV-97	Limites après la fermeture	4	4	Heures	N/A

REMARQUE : Lors de la première connexion ou mise en marche d'un contrôle Smart Series Plus, assurez-vous d'aller dans l'écran du Code de service sur le terrain et régler (:OE) à ACTIVÉ pour s'assurer que les relais

reçoivent de l'alimentation et peuvent contrôler le Dispositif de chauffage de l'appareil d'armoire.

REMARQUE : Ces paramètres DOIVENT être réglés selon le tableau ci-haut. Si tout paramètre est modifié, l'appareil ne fonctionnera pas adéquatement.

Tableau 24 : Nécessite BMS pour régler

Code	Point	Valeur	Défaut	Options	Unités	Notes
	BV-102	Montrer le contrôle de SYSTÈME	Actif	Inactif/Actif		Un Bloc SYSTÈME visible peut être requis ou non avec les horaires. Un Bloc SYSTÈME « DÉSACTIVÉ » remplace les états occupés prévus à disponibles
	AV-123	Modèle d'horaire	0	0 = Occupation 1,2 = Point de réglage		Règle le mode à Occupation ou Point de réglage.
	BV-27	Verrouillage du chauffage	Inactif	Actif/Inactif		
	AV-20	Délai d'attente en secondes	180	180	Sec	
	BV-56	Activer l'horaire BMS	Inactif	Inactif/Actif		Remplace les horaires internes BV-133
	BV-9	Activer l'échec de communication	Inactif	Inactif/Actif		Régler actif à échec automatique à occupé sur l'échec de communication MS/TP

Tableau 24 : Nécessite BMS pour le réglage (suite)

Code	Point	Valeur	Défaut	Options	Unités	Remarques
	BV-10	Activer le Système DÉSACTIVÉ	Inactive	Inactive/Active		
	AV-40	Mode AC HP	2	1,2		Réglage 1, émule le contrôle du thermostat. Réglage 2, contrôle analogique à BIN.
	AV-41	Kp du signal de chauffage	20			
	AV-42	Ko du signal de chauffage	1			
	AV-46	% de demande de Démarrage automatique du ventilateur	20		%	
	AV-53	SP de la zone morte d'arrêt automatique du ventilateur	5		%	Réglage pour toutes les applications de ventilateur à vitesse unique
	AV-77	SP de l'alarme du filtre	3000		Heures	
	AV-78	2PVIvRéglage de mode DB%	20	20-100		
	AV-79	2PVIvRéinitialisation de mode DB%	1-25 1			
	BV-105	Montrer les SP Htg/Clg disponibles	Actif	Actif/Inactif		
	BV-210	Activer l'écran personnalisé	Actif			Inactif masque les options d'écran personnalisé
	BV-215	URHC Activer	Actif			Inactif masque la sélection F/C
	BV-219	LLHC Activer	Actif	Ne pas modifier		DDC contrôle
	BV-222	LRHC Activer	Actif	Ne pas modifier		
	BV-262	flèches de URHC Adi	Actif	Ne pas modifier		
	BV-276	flèches de x flèches de	Actif	Ne pas modifier		
	MV-9	F1	5	Ne pas modifier		
	MV-10	F2	5	Ne pas modifier		
	MV-11	F3	4	Ne pas modifier		
	MV-21	Mode 1-Numérique, 2-Alphanumérique	2	Ne pas modifier		
	MV-22	Mode 1-Numérique, 2-Alphanumérique	2	Ne pas modifier		

Tableau 24 : Nécessite BMS pour le réglage (suite)

Code	Point	Valeur	Défaut	Options	Unités	Remarques
	MV-22	Mode 1--Numérique, 2-Alphanumérique	2	Ne pas modifier		
	MV-23	Mode 1--Numérique, 2-Alphanumérique	2	Ne pas modifier		
	AV-218	URHC delta	1	Ne pas modifier		
	AV-216	URHC Up Max. de flèche du bas	1	Ne pas modifier		
	AV-217	URHC Down Max. de flèche du haut	2	Ne pas modifier		
	AV-230	LRHC Up Min. de flèche du bas	1	Ne pas modifier		
	AV-231	LRHC Down Min. de flèche du haut	2	Ne pas modifier		
	AV-232	LRHC Delta	1	Ne pas modifier		

ANNEXE A : RÉFÉRENCE DE PROPRIÉTÉ ET D'OBJET BACNET

Cette section présente les objets BACnet disponibles dans le Smart Series Plus. Les

tableaux qui suivent indiquent les points individuels et donnent des détails concernant les propriétés de chaque objet indiqué.

Objets du Smart Series Plus

Objet (plage de l'instance)	Remarques
AI-(0-2)	Objets d'entrée analogique associés avec les bornes d'entrée physiques, universelles sur le Smart Series Plus. Les AI sont identifiés comme AI-nn, où nn est le numéro de la borne d'entrée.
AO-(0-7)	Objets de sortie analogique associés avec des bornes de sortie physiques. Les AO sont identifiés comme O-nn, où nn est le numéro de la borne de sortie.
AV-(90-107)	AV RÉSERVÉS.
AV-(0-89)	AV d'utilisation générale.
AV-(108-136)	Contrôle et rétroaction d'écran
AV-(210-233)	Contrôle et rétroaction d'écran personnalisé
BI (0-2)	Objets d'entrée binaire associés avec les bornes d'entrée physiques, universelles sur le Smart Series Plus
	Les BI sont identifiés comme BI-nn, où nn est le numéro de la borne d'entrée.
BO (0-5)	Objets de sortie binaire associés avec des bornes de sortie physiques sur le Smart Series Plus. Les BO sont identifiés comme BO-nn, où nn est le numéro de la borne de sortie.
BV-(0-63)	BV d'utilisation générale. Le BV-40 prend en charge la propriété de tableau de priorités. BV-40 est utilisé pour les commandes d'occupation.
BV-(90-147)	Contrôle et rétroaction d'écran
BV-(200-202)	Sélection du mode actuel AI
BV-(210-299)	Contrôle et rétroaction de l'écran personnalisé
BV-(300-301)	Rétroaction de détection du mode actuel AO
BV-(400-402)	Tirage AI active
MV-(0-23)	Valeurs d'état multiple RÉSERVÉ.
Dispositif	Fournit de l'information générale concernant un dispositif
Fichier (254)	Fournit de l'information concernant le fichier du système d'exploitation.
Horaire 0	Horaire interne utilisé seulement dans le mode Occupation et seulement si activé par BV-133

Propriétés de l'objet

Propriétés de l'objet du dispositif

Propriété	Accès	Notes
Identifiant d'objet	R/W	Non inscriptible dans le Smart Series Plus
Nom de l'objet	R/W	
Type d'objet	R	
Statut du système	R	OPÉRATIONNEL
Nom du fournisseur	R	"Honeywell"
Identifiant du fournisseur	R	91
Nom du modèle	R	"Honeywell-XXXXXX"
Révision du micrologiciel	R	(vient du chargeur de démarrage) initialement « RL 5.00 (version x) »
Version du logiciel de l'application	R	« 5.00 (version y) » ou similaire
Emplacement	R/W	
Description	R/W	
Version du protocole	R	1
Révision du protocole	R	4
Services de protocole pris en charge	R	atomicReadFile, atomicWriteFile, readProperty, readPropertyMultiple, writeProperty, writePropertyMultiple, deviceCommunicationsControl, reinitializeDevice, i-Am, unconfirmedPrivateTransfer, timeSynchronization, who-Has, who-Is, utcTimeSynchronization
Types d'objets de protocole pris en charge	R	entrée analogique, sortie analogique, valeur analogique, entrée binaire, sortie binaire, valeur binaire, dispositif, fichier, programme, horaire
Object List	R	Trop grand pour retourner en une seule requête, retourne donc « segmentation non supportée ». Des entrées de tableau individuelles peuvent être lues.
Longueur ADPU max. acceptée	R	480
Segmentation supportée	R	aucune segmentation
Heure locale	R/W	Par défaut = « 00:00:00 »
Date locale	R/W	Par défaut = « Jan 1, 1900 »
Décalage UTC	R/W	Par défaut = 0
État Économies de jour	R/W or R	Lecture seulement si le paramètre ISU 330 est réglé à l'une des options de réglage automatique
Durée d'inactivité ADPU	R/W	Par défaut = 6000, limité à 100..60000
Nombre de réessais APDU	R/W	Par défaut = 3, limité à 0..16
Maître maxCadres d'infos maxZ	R	127
Cadres d'infos max	RW	Par défaut = 3, limité à 1..60
Obligation de l'adresse du dispositif	R	Liste vide

Propriétés de l'objet AI

Propriété	Accès	Notes
Identifiant d'objet	R	
Nom de l'objet	R	"AI nnn"
Type d'objet	R	
Valeur présente	R	
Description	R/W	Lecture seulement si configuré dans l'en-tête.
Indicateurs de statut	R	Tous faux
État d'événement	R	NORMAL
Hors service	R	FAUX
Unités	R	Valeur réglée dans le fichier DDC à l'aide de DDCMULTI sauf où indiqué autrement dans la séquence de fonctionnement

Propriétés de l'objet AO

Propriété	Accès	Notes
Identifiant d'objet	R	
Nom de l'objet	R	“AO-nn”
Type d'objet	R	
Valeur présente	R/W	Limit 0.0 .. 102.4
Description	R/W	Lecture seulement si configuré dans l'en-tête DDC à l'aide de DDCMULTI.
Indicateurs de statut	R	Aucun indicateur réglé habituellement. Le bit hors-service doit être réglé lorsque le point est configuré comme tel à l'aide de DDCMULTI.
État d'événement	R	normal
Hors service	R	Valeur configurée dans le fichier DDC à l'aide de DDCMULTI. Voir ci-dessous.
Unités	R	Valeur configurée dans le fichier DDC à l'aide de DDCMULTI.
Priority Array	R/W	Limite 0.0 .. 102.4
Renoncer au réglage par défaut	R	Valeur configurée dans le fichier DDC à l'aide de DDCMULTI.

Propriétés de l'objet AV

Propriété	Accès	Notes
Identifiant d'objet	R	
Nom de l'objet	R	“AV-nnn” sauf où indiqué autrement
Type d'objet	R	
Valeur présente	R/W	Comme décrit ci-dessous
Description	R/W	Lecture seulement si configuré dans l'en-tête DDC à l'aide de DDCMULTI.
Indicateurs de statut	R	Aucun indicateur réglé
État d'événement	R	Normal
Hors service	R	FAUX
Unités	R	Comme décrit ci-dessous

Propriétés de l'objet BI

Propriété	Accès	Notes
Identifiant d'objet	R	
Nom de l'objet	R	“BI nnn”
Type d'objet	R	ENTRÉE BINAIRE
Valeur présente	R	
Description	R/W	Lecture seulement si configuré dans l'en-tête DDC à l'aide de DDCMULTI.
Indicateurs de statut	R	Tous faux
État d'événement	R	NORMAL
Hors service	R	FAUX
Polarité	R	NORMAL

Propriétés de l'objet BO

Propriété	Accès	Default Location and Value
Identifiant d'objet	R	
Nom de l'objet	R	“BO nn”
Type d'objet	R	SORTIE BINAIRE
Valeur présente	R/W	
Description	R/W	Lecture seulement si configuré dans l'en-tête DDC à l'aide de DDCMULTI.
Indicateurs de statut	R	Aucun indicateur réglé habituellement. Le bit hors-service doit être réglé lorsque le point est configuré comme tel à l'aide de DDCMULTI.
État d'événement	R	NORMAL
Hors service	R	Sélectionnable dans l'entête DDC
Polarité	R	NORMAL
Tableau de priorités	R/W	RAM
Renoncer Par défaut	R	Sélectionnable dans l'en-tête DDC

Propriétés de l'objet BV

Propriété	Accès	Notes
Identifiant d'objet	R	
Identifiant d'objet	R	“BV-nnn” pour la plupart des BV, sauf où autrement indiqué
Type d'objet	R	
Valeur présente	R/W	
Description	R/W	Lecture seulement si configuré dans l'en-tête DDC à l'aide de DDCMULTI.
Indicateurs de statut	R	Aucun indicateur réglé
État d'événement	R	NORMAL
Hors service	R	FAUX
Tableau de priorités	R/W	BV-40 seulement
Renoncer uniquement au réglage par défaut	R/W	BV-40 seulement

Propriétés de l'objet MV

Propriété	Accès	Notes
Hors service	R	Faux
État d'événement	R	NORMAL
Indicateurs de statut	R	AUCUN indicateur réglé
Nom de l'objet	R	“MV-nnn” sauf où autrement noté
Description	R/W	
Texte d'état	R	
Valeur présente	R	
Nombre d'états	R	
Identifiant d'objet	R	

Propriétés de l'objet d'horaire

Propriété	Accès	Notes
Identifiant d'objet	R/O	HORAIRE 0
Nom de l'objet	R/O	“Schedule 0”
Type d'objet	R/O	HORAIRE
Valeur présente	R/O	
Description	R/O	« Horaire principal »
Période de mise en vigueur	R/O	EN TOUT TEMPS (toujours en vigueur)
Horaire hebdomadaire	R/W	7 jours, 6 événements par jour au maximum. Conforme BTL.
Horaire par défaut	R/W	Inactif (enum 0)
Liste de références de propriété d'objet	R/O	Vide
Priorité pour l'écriture	R/O	16
Indicateurs de statut	R/O	Tous les bits effacés
Fiabilité	R/O	AUCUNE FAILLE DÉTECTÉE
Hors service	R/O	FAUX

AV et BV standards

Cette section présente les points logiques dans le Smart Series Plus. Les points avec un type d'accès « R/O » sont calculés par le Smart Series Plus et fournis comme des entrées à l'application de l'utilisateur. Les points avec un type d'accès « R/W » sont écrits par l'application de l'utilisateur ou via BACnet afin de fournir de l'information au Smart Series Plus.

L'IU contrôle les AV et les BV

Les AV, BV et MV suivants contrôlent l'interface utilisateur du Smart Series Plus.

AV de contrôle général

Point	Nom de l'objet	Accès	Description
AV-110	Modèle du point de réglage du Mode SP	R/W	<p>Mode Point de réglage : Choisit le modèle du point de réglage, et sélectionne aussi la disposition de l'écran de contexte général 0.0: utiliser le format DÉSACTIVÉ (aucun point de réglage montré) 1.0: utiliser le format d'1 point de réglage (refroidissement) 2.0: utiliser le format d'1 point de réglage (chauffage) 3.0: utiliser le format de 2 points de réglage</p> <p>Mode d'Occupation : Ignoré</p>
AV-11	SYSTEM Setpoint Model	R/W	<p>Fournit une sortie compatible du contrôle SYSTÈME qui peut être transférée dans le modèle de point de réglage AV-110 (ci-haut) pour reproduire e comportement VisionPro par défaut. Les valeurs produites par le contrôle SYSTÈME sont limitées par la configuration AV, BV et MV</p> <p>0.0 : « DÉSACTIVÉ » sélectionné 1.0 : « REFROIDISSEMENT » sélectionné 2.0 : « CHAUFFAGE »/« CHAUFFAGE EM » sélectionné 3.0 : « AUTO » sélectionné</p>
AV-123	Mode Occupation sélectionné	R/W	Règle le système au Mode Occupation
AV-124	Rappel de changement de filtre	R/W	Active le rappel de changement de filtre.
AV-127	Économies de jour	R/W	Règle les Économies de jour à Désactivé, schéma avant 2007 ou schéma après 2007.
AV-128	Blocage clavier numérique	R/W	Bloque le clavier numérique.
AV-132	Mode de service sur le site	R/W	Permet l'accès au Mode de service sur le site seulement aux utilisateurs autorisés.
AV-133	NIP de sécurité du mode ISU	R/W	Permet l'accès au Mode ISU seulement aux utilisateurs autorisés.
AV-137	Format d'affichage du réglage du ventilateur	R/W	Sélectionne le format dans lequel les réglages du ventilateur sont affichés à l'écran.

BV de contrôle général

Point	Nom de l'objet	Accès	Description
BV-80	Activer le contrôle de vitesse du ventilateur	R/W	<p>ACTIVÉ : Permettre au contrôle « VENTILATEUR » d'être visible pour l'utilisateur final DÉSACTIVÉ : Le contrôle VENTILATEUR est toujours masqué</p>
BV-102	Activer le contrôle du système	R/W	<p>ACTIVÉ : Permettre au contrôle « SYSTÈME » d'être visible DÉSACTIVÉ : Le contrôle « SYSTÈME » est toujours masqué</p>
BV-103	Masquer le ventilateur et le système	R/W	<p>ACTIVÉ : Masquer les contrôles VENTILATEUR et SYSTÈME en mode disponible peu importe les réglages de l'autre affichage) DÉSACTIVÉ : Les montrer si permis</p>
BV-104	Activez DOW	R/W	<p>ACTIVÉ : Permettre au jour de semaine d'être affiché, est possible DÉSACTIVÉ : Ne jamais afficher le jour de semaine</p>
BV-105	Montrer les Points de réglage disponibles	R/W	<p>ACTIVÉ : Afficher les points de réglage de chauffage/refroidissement disponibles en mode disponible DÉSACTIVÉ : Ne pas les afficher</p>

MV de contrôle général

Point	Nom de l'objet	Accès	Description
MV-0	Mode Heure	R	Fournit de la rétroaction concernant les capacité de traitement de l'heure du dispositif : Un fonctionnement normal de l'horloge entrainera une valeur actuelle de 3. 1: « Heure du jour Mode inconnu » 2: « Heure du jour Mode disponible » 3: « Date/Heure Mode disponible »
MV-1	Modèle d'horaire	R	Fournit de la rétroaction concernant le modèle de l'horaire du dispositif 1: « Point de réglage » 2: « Occupation »
MV-2	Blocage du clavier numérique	R	Fournit de la rétroaction concernant le niveau d'accès du clavier numérique : 1: « plein accès » 2: « points de réglage uniquement » 3: « bloqué »
MV-3	Mode DSL	R	Fournit de la rétroaction sur le mode de fonctionnement de l'Économie de jour 1: « DÉSACTIVÉ » 2: « Auto (avant 2007) » 3: « Auto (2007 et plus récent) »
MV-4	Incrémentation SP	R	Quantité de changement dans le point de réglage par pression de flèche 1: « 1 °F / 0,5 °C » (par défaut)
MV-5	Incrémentation de l'horaire	R	Quantité de changement dans les heures de l'horaire par pression de flèche 1: "1 min" (default)

BV de contrôle de segment d'écran optionnels

En Mode point de réglage, la disposition du point de réglage est contrôlée par AV-110, voir

Point	Nom de l'objet	Accès	Description
BV-77	ICÔNE de Chauffage	R/W	ACTIVÉ : Affiche l'icône « chauffage activé »
BV-78	ICÔNE de refroidissement	R/W	ACTIVÉ : Affiche l'icône « refroidissement activé »
BV-106	Montrer Attendre	R/W	ACTIVÉ : Affiche « Attendre »
BV-111	Forcer CHANGER LE FILTRE	R/W	ACTIVÉ : Forcer l'affichage de « CHANGER LE FILTRE » (peut également être affiché automatiquement à cause du chronomètre du filtre)
BV-114	Désactiver la touche	R/W	DÉSACTIVÉ : Permettre à la touche « SCHED » (Horaire) d'être utilisée pour accéder à l'IU d'horaire standard (si approprié) ACTIVÉ : La touche « SCHED » (Horaire) est toujours masquée
BV-115	Désactiver la touche HOLD (Retenue) permanente	R/W	DÉSACTIVÉ : Permettre à la touche « HOLD » (Retenue) d'être utilisée pour accéder à l'IU de RETENUE permanente ACTIVÉ : la touche « HOLD » (Retenue) est masquée ou utilisée pour une RETENUE de congé, si activée.
BV-130	Désactiver la touche HOLD (Retenue) de congé	R/W	DÉSACTIVÉ : Permettre à la touche « HOLD » (Retenue) d'être utilisée pour accéder à l'IU de Retenue de congé standard (si approprié) ACTIVÉ : la touche « HOLD » (Retenue) est masquée.
BV-116	Désactiver la touche CLOCK (Horloge)	R/W	DÉSACTIVÉ : Permettre à la touche « CLOCK » (Horloge) d'être utilisée pour régler l'horloge (si approprié) ACTIVÉ : la touche CLOCK (Horloge) est toujours masquée
BV-131	Mode attente de l'hôtel	R/W	Régler Actif par DDC pour indiquer à l'affichage que le DDC contrôle en mode En attente. Utile pour indication visuelle si le DDC pense par mégarde que la pièce est disponible.
BV-142	Maître DÉSACTIVÉ	R/W	DÉSACTIVÉ : aucun effet ACTIVÉ : Remplace le statut occupé du Mode Occupation. L'écran d'accueil montre « DÉSACTIVÉ » sans flèches de remplacement et le point de réglage de l'utilisateur n'est affiché. Utilisé pour mettre en lace ACTIVÉ/DÉSACTIVÉ de l'utilisateur ou ACTIVÉ/DÉSACTIVÉ du contrôle du ventilateur. Remplace le BV65 d'avant. BV de contrôle d'horaire

BV de contrôle d'horaire

Point	Nom de l'objet	Accès	Description
BV-114	Refuser l'affichage de l'horaire	R/W	Si réglé, l'utilisateur n'a pas la permission d'afficher les horaires.
BV-133	Activer l'horaire interne	R/W	ACTIVÉ : La mise à l'horaire interne sur 7 jours est activée (sujette à d'autres facteurs). L'objet d'horaire BACnet est visible via BACnet DÉSACTIVÉ : Désactive l'utilisation du mécanisme de mise à l'horaire interne. L'objet d'horaire BACnet est invisible. Tous les composants de l'IU associés à la modification de l'horaire sont désactivés. Il s'agit du paramètre ISU 160. BV-133=0 affiché comme ISU 160=0. BV-133=1 affiché comme ISU 160=4.
BV-141	Désactiver modifier l'horaire	R/W	ACTIVÉ : Empêche la touche MODIFIER d'écran. Les horaires internes peuvent être affichés mais non modifiés.
AV-129	Valeur ISU des périodes de jour de semaine	R/W	2 : Deux périodes d'horaire par jour 4 : Quatre périodes d'horaire par jour

AV de contrôle d'horaire

Point	Nom de l'objet	Unités	Accès	Description
AV-113	Mode AV de priorité SP		R/W	En mode Point de réglage, indique l'état de priorité du point de réglage. Ce point peut être écrit au DDC pour annuler le statut de priorité 1.0: planifié 2.0: temporaire 3.0: permanent 4.0: en congé 5.0: initiale
AV-130	Retenue jusqu'au temps	Minutes	R/W	En mode Point de réglage, indique la minute du jour (0 1 440) où une priorité temporaire ou de congé doit se terminer.
AV-131	Jours de congé restants	Jours	R/W	En mode Point de réglage, indique le nombre de jours restants dans une priorité de congé.

MV du décalage de température

Point	Nom de l'objet	Accès	Description
MV-12	Format d'horaire	R	Ce point est une version conviviale pour les gens de l'AV-129, paramètre ISU 540 (voir ci-haut) 1: « 2 commandes par jour » 2: « 4 commandes par jour »
MV-13	Mode priorité SP	R	En mode Point de réglage, indique l'état de priorité du point de réglage. Ce point est une version conviviale pour les gens de l'AV-113 (voir ci-haut) 1: « planifié » 2: « temporaire » 3: « permanent » 4: « en congé »

AV du décalage de température et d'humidité

Point	Nom de l'objet	Unités	Accès	Notes
AV-138	Décalage de la température détectée	Degrés F/C	R/W	Limité à +/- 4 degrés F.

ANNEXE B : LISTE TRIÉE DES POINTS DE CONTRÔLE

Point	Nom de l'objet	Point	Nom de l'objet
AV-90	Point de réglage (SP)	AV-91	Limite supérieure du point de réglage
AV-92	Limite supérieure du point de réglage	AV-93	Décalage SP de refroidissement
AV-94	Décalage SP de chauffage	AV-95	SP de refroidissement disponible
AV-96	SP de chauffage Disponible	AV-97	Limite du chronomètre après la fermeture
AV-98	Chronomètre après la fermeture	AV-99	SP de refroidissement courant
AV-100	SP de chauffage courant	AV-101	Température de pièce affichée
AV-104	Température de pièce détectée	AV-105	Humidité de pièce détectée
AV-106	Décalage de demande	AV-107	RÉSERVÉ
AV-108	SP de refroidissement en mode SP	AV-109	SP de chauffage en mode SP
AV-110	Modèle du point de réglage du Mode SP	AV-111	Modèle du point de réglage du SYSTÈME
AV-113	Mode AV de priorité SP	AV-114	Durée d'exécution du filtre
AV-115	Limite de la durée d'exécution du filtre	AV-116	RÉSERVÉ
AV-117	Limite de la durée d'exécution de la lampe UV	AV-118	RÉSERVÉ
AV-121	RÉSERVÉ	AV-122	RÉSERVÉ
AV-123	Régler le système au Mode Occupation	AV-124	Rappel de changement de filtre
AV-125	RÉSERVÉ	AV-126	RÉSERVÉ
AV-127	Économies de jour	AV-128	Blocage clavier numérique
AV-129	Valeur ISU des périodes de jour de semaine	AV-130	Retenue jusqu'au temps
AV-131	Jours de congé restants	AV-132	NIP de sécurité du mode de service sur le site
AV-133	NIP de sécurité du mode ISU	AV-134	RÉSERVÉ
AV-135	RÉSERVÉ	AV-136	RÉSERVÉ
AV-137	Format d'affichage du réglage du ventilateur	AV-138	Décalage de la température détectée
AV-139	RÉSERVÉ	AV-140	RÉSERVÉ
AV-141	RÉSERVÉ	AV-210	Numéro UHLH
AV-211	Caractère gauche ULHC	AV-212	Caractère droit UHLC
AV-213	Numéro URHC	AV-214	Caractère 10 URHC
AV-215	Caractère 1 URHC	AV-216	Minimum URHC
AV-217	Maximum URHC	AV-218	Delta URHC
AV-219	Numéro LLHC	AV-220	Caractère 10 LLHC
AV-221	Caractère 1 LLHC	AV-222	Minimum LLHC
AV-223	Maximum LLHC	AV-224	Delta LLHC
AV-225	Caractère 1000 LLHC	AV-226	Caractère 100 LLHC
AV-227	Numéro LRHC	AV-228	Caractère 10 LRHC
AV-229	Caractère 1 LRHC	AV-230	Minimum LRHC
AV-231	Maximum LRHC	AV-232	Delta LRHC
BV-64	Sortie d'horaire de temps	BV-65	Utilisateur ACTIVÉ/DÉSACTIVÉ en Mode Occupé
BV-66	Statut du chronomètre après la fermeture	BV-67	Statut Occupé/Disponible
BV-68	Verrouillage du service sur le site	BV-69	Échanger Impérial/Métrique
BV-71	Impérial (DÉSACTIVÉ)/Métrique (ACTIVÉ)	BV-72	Stage 1 du ventilateur
BV-73	Stage 2 du ventilateur	BV-74	Stage 3 du ventilateur
BV-77	ICÔNE de chauffage	BV-78	ICÔNE de refroidissement
BV-79	Rétroéclairage ACTIVÉ	BV-80	Activer le contrôle de vitesse du ventilateur
BV-81	Sélectionner le mode HÔTEL	BV-82	Activer l'affichage de l'heure
BV-83	Format d'heure 24 h	BV-84	Activer l'humidité de l'espace
BV-100	RÉSERVÉ	BV-101	RÉSERVÉ
BV-102	Activez le contrôle du système	BV-103	Masquer le ventilateur et le système
BV-104	Activer DOW	BV-105	Montrer les Points de réglage disponibles
BV-106	Montrer Attendre	BV-107	Montrer Chauffage secondaire activé
BV-108	RÉSERVÉ	BV-109	RÉSERVÉ
BV-110	RÉSERVÉ	BV-111	Forcer CHANGER LE FILTRE

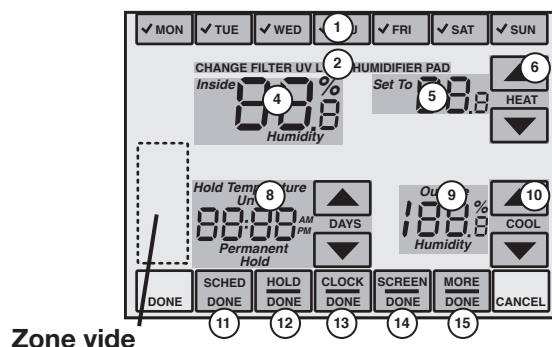
ANNEXE B : LISTE TRIÉE DES POINTS DE CONTRÔLE (suite)

Point	Nom de l'objet	Point	Nom de l'objet
BV-112	RÉSERVÉ	BV-113	RÉSERVÉ
BV-114	Désactiver la touche SCHED (<i>Horaire</i>)	BV-115	Désactiver la touche HOLD (<i>Retenue</i>) permanente
BV-116	Désactiver la touche CLOCK (<i>Horloge</i>)	BV-117	Permettre le système DÉACTIVÉ
BV-118	Permettre le système CHAUFFAGE	BV-119	Permettre le système REFROIDISSEMENT
BV-120	Permettre le système AUTO	BV-121	Permettre le système CHAUFFAGE EM
BV-122	Mode CHAUFFAGE du système	BV-123	Mode REFROIDISSEMENT du système
BV-124	Mode AUTO du système	BV-125	Mode CHAUFFAGE EM du système
BV-130	Désactiver la touche HOLD (<i>Retenue</i>) de congé	BV-131	Mode attente de l'hôtel
BV-133	Activer l'horaire interne	BV-134	Filtre Activer
BV-135	Filtre ACTIVÉ	BV-136	RÉSERVÉ
BV-137	RÉSERVÉ	BV-138	RÉSERVÉ
BV-139	RÉSERVÉ	BV-140	RÉSERVÉ
BV-141	Désactiver modifier l'horaire	BV-142	Maître DÉACTIVÉ
BV-143	RÉSERVÉ	BV-144	RÉSERVÉ
BV-145	RÉSERVÉ	BV-146	RÉSERVÉ
BV-147	RÉSERVÉ	BV-200 - BV-202	Mode courant Aln
BV-210	Personnalisé 1 Activé	BV-211	Réinitialiser
BV-212	ULHC activer	BV-213	ULHC décimal
BV-214	ULHC zéro de tête	BV-215	URHC activer
BV-216	URHC décimal	BV-217	URHC zéro de tête
BV-218	URHC modifier	BV-219	LLHC activer
BV-220	LLHC zéro de tête	BV-221	LLHC modifier
BV-222	LRHC activer	BV-223	LRHC décimal
BV-224	LRHC zéro de tête	BV-225	LRHC modifier
BV-226	LRHC 1 de tête	BV-227	Cases du jour
BV-228	Lun texte	BV-229	Mar texte
BV-230	Mer texte	BV-231	Jeu texte
BV-232	Ven texte	BV-233	Sam texte
BV-234	Dim texte	BV-235	Dim vérification
BV-236	Mar vérification	BV-237	Mer vérification
BV-238	Jeu vérification	BV-239	Ven vérification
BV-240	Sam vérification	BV-241	Dim vérification
BV-242	OK pour ramasser	BV-243	Écran bloqué
BV-244	Modifier	BV-245	Filtre
BV-246	RÉSERVÉ	BV-247	RÉSERVÉ
BV-250	Intérieur	BV-251	RÉSERVÉ
BV-253	Régler à	BV-254	Secondaire
BV-255	Chauffage activé	BV-256	Attendre
BV-257	Refroidissement activé	BV-258	Chauffage réglage
BV-259	RÉSERVÉ	BV-260	Suivre
BV-261	RÉSERVÉ	BV-262	URHC Flèches de réglage
BV-263	Après-midi	BV-264	Avant-midi
BV-265	Jours	BV-266	LLHC Flèches de réglage
BV-268	Permanent	BV-269	Retenue jusqu'au temps
BV-270	Période d'annulation	BV-271	Extérieur
BV-272	DE	BV-273	RÉSERVÉ
BV-280	Vent	BV-281	Touche Lun
BV-282	Touche Mar	BV-283	Touche Mer

ANNEXE B : LISTE TRIÉE DES POINTS DE CONTRÔLE (suite)

Point	Nom de l'objet	Point	Nom de l'objet
BV-284	Touche Jeu	BV-285	Touche Ven
BV-286	Touche Sam	BV-287	Touche Dim
BV-292	Touche LLHC haut	BV-293	Touche LLHC bas
BV-294	Touche RÉINITIALISATION	BV-295	Touche ANNULER PÉRIODE
BV-297	Touche VENTILATEUR	BV-298	Touche SYSTÈME
BV-300- BV-301	Mode courant AOn	BV-400 - BV-402	Tirage AIn
MV-0	Mode Heure	MV-1	Modèle d'horaire
MV-2	Blocage clavier numérique	MV-3	Mode DLS
MV-4	Incrémentation du SP	MV-5	Incrémentation de l'horaire
MV-6	Sélection SYSTÈME de l'utilisateur	MV-7	Statut du ventilateur
MV-8	Ventilateur DÉSACTIVÉ texte	MV-9	Stage 1 du ventilateur texte
MV-10	Stage 2 du ventilateur texte	MV-11	Stage 3 du ventilateur texte
MV-12	Format d'horaire	MV-13	Mode priorité SP

ANNEXE C : RÉFÉRENCE RAPIDE



Article	Fonction	Description
1	Jours de semaine	Montre le jour actuel de la semaine. En mode Configuration d'horaire, montre tous les jours. Des marques à cocher apparaissent aux côtés des jours sélectionnés.
2	Messages de besoin de maintenance	Clignote lorsqu'il est temps de changer un filtre, une lampe UV, ou un bloc d'humidificateur
4	Condition à l'intérieur	Affiche la température ou l'humidité à l'intérieur actuelle
5	Point de réglage	Affiche le point de réglage actuel.
6	Réglage de chauffage	Appuyer sur les flèches règle le point de réglage de chauffage.
8	Zone d'horaire	Affiche les retenues d'horaire et permet aux utilisateurs de changer les horaires.
9	Réglage du refroidissement	Appuyer sur les flèches règle le point de réglage de refroidissement.
10	MODIFIER L'HORAIRE	Affiche l'horaire actuel. En mode horaire, affiche l'écran l'horaire.
11	RÉVEIL DE LA RETENUE	Permet aux utilisateurs de placer le système en retenue Permanente ou De congé. En mode Modifier l'horaire, la barre clignotante indique que RÉVEIL est la période d'horaire active.
12	MODIFIER L'HORLOGE	Permet aux utilisateurs de changer la date et l'heure du système. Lors de la modification horaire, la barre clignotante indique que MODIFIER est la période d'horaire active.
13	RETOUR D'ÉCRAN	Bloque l'écran pour un nettoyage. En mode Modifier l'horaire, la barre clignotante indique que RETOUR est la période d'horaire active.
14	PLUS SOMMEIL	Affiche des écrans supplémentaires. En mode Modifier l'horaire, la barre clignotante indique que SOMMEIL est la période d'horaire active.

Codes de service sur le site

(Appuyez sur le Bloc SYSTÈME et maintenez appuyé la touche du milieu du bas.)

:UC	Point de réglage de refroidissement disponible (AV-95)
:UH	Point de réglage de chauffage disponible (AV-96)
:CO	Décalage de refroidissement (AV-93)
:HO	Décalage de chauffage (AV-94)
:HS	Point de réglage de chauffage occupé (AV-100)
:CS	Point de réglage de refroidissement occupé (AV-99)
:AL	Limite de priorité (AV-97)
:HI	Limite supérieure du point de réglage (AV-91)
:LO	Limite supérieure du point de réglage (AV-92)
:SP	Point de réglage de température de l'espace sélectionné par l'occupant (AV-90)

Codes de configuration de l'installateur

(Appuyez sur le Bloc SYSTÈME et maintenez appuyé les touches du bas d'un côté ou l'autre de la touche du milieu.)

120	Année, premiers 2 chiffres
130	Année, seconds 2 chiffres
140	Mois
150	Jour
160	Format d'horaire (BV-133)
280	Contrôle du rétroéclairage (BV-79)
320	Échanger Impérial/Métrique (BV-69)
330	Économies de jour (AV-127)
500	Rappel de changement de filtre (AV-124)
510	RÉSERVÉ
520	RÉSERVÉ

540	Périodes du programme (AV-129)
640	Format d'horloge (BV-83)
670	Blocage clavier numérique (AV-128)
700	Décalage de la température détectée (AV-138)
701	RÉSERVÉ
702	RÉSERVÉ
703	RÉSERVÉ
800	Adresse MAC MS/TP
801	Premier chiffre de l'instance du dispositif BACnet
802	Deuxième et troisième chiffres de l'instance du dispositif BACnet
803	Quatrième et cinquième chiffres de l'instance du dispositif BACnet
804	Sixième et septième chiffres de l'instance du dispositif BACnet

GARANTIE LIMITÉE

Tous les produits fabriqués par Marley Engineered Products sont garantis contre les défauts au niveau de la main-d'oeuvre et des matériaux pendant un (1) an de la date de l'installation. Le moteur est garanti contre les défauts au niveau de la main-d'oeuvre et des matériaux pendant trois ans de la date d'installation. Cette garantie ne s'applique pas en cas de dommages découlant d'un accident, d'une mauvaise utilisation ou d'une modification, ni où la tension connectée est de plus de 5 % au-dessus de la tension de la plaque signalétique, ni où à de l'équipement incorrectement installé ou câblé ou entretenu de manière non conforme aux instructions d'installation du produit. Toutes les réclamations à des fins de garantie doivent être accompagnées par la preuve de la date d'installation.

Le client est responsable de tous les coûts du retrait ou de la réinstallation des produits, y compris les coûts de main-d'oeuvre découlant du retour des produits. Dans les limites de cette garantie, les unités non opérationnelles doivent être retournées à Marley Engineered Products. À notre option, nous réparerons ou remplacerons, sans frais pour le client et avec le fret de retour du produit payé par Marley. Il est convenu qu'une telle réparation ou remplacement est la solution exclusive disponible de Marley Engineered Products.

LES GARANTIES CI-DESSUS SONT AU LIEU DE TOUTES LES AUTRES GARANTIES EXPRESSES OU IMPLICITES DE MARCHANDABILITÉ ET D'ADÉQUATION À UNE FIN PARTICULIÈRE QUI DÉPASSE LES GARANTIES EXPRIMÉES SUSMENTIONNÉES ET SONT PAR LES PRÉSENTES REJETÉES ET EXCLUES DU PRÉSENT ACCORD. MARLEY ENGINEERED PRODUCTS NE DOIT PAS ÊTRE TENU RESPONSABLE DES DOMMAGES DE CONSÉQUENCE DÉCOULANT DE L'UTILISATION DU PRODUIT, QUE CE SOIT PAR NÉGLIGENCE, RESPONSABILITÉ, RESPONSABILITÉ STRICTE OU CONTRAT.

Certains États/provinces ne permettent pas l'exclusion ou la limitation de dommages incidentels ou consécutifs. L'exclusion ou la limitation ci-haut peuvent ne pas s'appliquer dans votre cas. Cette garantie vous octroie des droits juridiques spécifiques. Vous pourriez avoir d'autres droits variant d'un État/province à l'autre.

Communiquez avec Marley Engineered Products à Bennettsville, SC, au 1 800 642-4328. Les produits retournés à l'usine doivent être accompagnés d'une autorisation de retour et d'une étiquette d'identification de service. Les deux sont disponibles de Marley Engineered Products. Lors de la demande d'une autorisation de retour, indiquez tous les numéros de catalogue illustrés sur les produits.

OBTENTION DU SERVICE DANS LE CADRE DE LA GARANTIE ET DES INFORMATIONS GÉNÉRALES

1. Service ou pièces sous garantie: **1-800-642-4328**
2. Achat de pièces de rechange: **1-800-654-3545**
3. Informations générales sur les produits: **www.marlymep.com**

REMARQUE : Quand vous demandez du service préparez

- toujours avant d'appeler :
1. N° de référence de modèle du produit
 2. Date de fabrication
 3. Numéro ou description de pièce(s)



Marley®
Engineered Products

470 Beauty Spot Rd. East
Bennettsville, SC 29512 USA