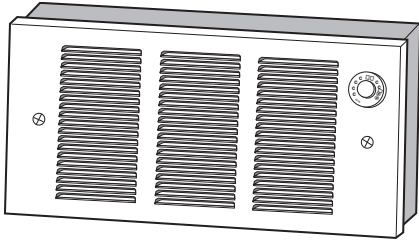




**SUBMITTAL SHEET  
QFG SERIES  
FAN FORCED  
WALL HEATERS**

**QFG SERIES - FAN-FORCED WALL HEATERS**



Patented Clip-N-Fit Feature  
( US Patent No. 6,172,343 )

JOB NAME: \_\_\_\_\_  
 LOCATION: \_\_\_\_\_  
 ARCHITECT: \_\_\_\_\_  
 ENGINEER: \_\_\_\_\_  
 CONTRACTOR: \_\_\_\_\_  
 SUBMITTED BY: \_\_\_\_\_  
 DATE: \_\_\_\_\_

ITEM	QTY.	CATALOG NUMBER	TAG	WATTS	VOLTS	Ø	AMPS	GRILLE FINISH	CEILING MOUNT

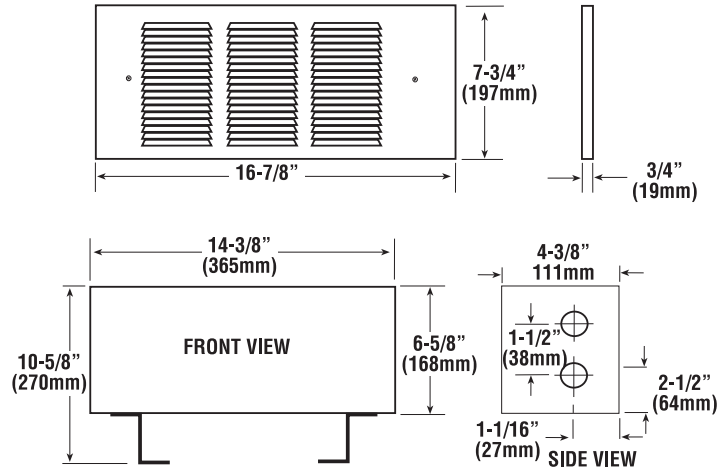
ACCESSORIES  
AND  
CONTROLS

ITEM	QTY.	CAT. NO.	TAG	DESCRIPTION

SUBMITTED BY:	DATE	APPROVED BY:	DATE



A Marley Engineered Products Brand  
 470 Beauty Spot Rd. E, Bennettsville, SC 29512  
 visit [www.qmarkmep.com](http://www.qmarkmep.com) for more info



### ARCHITECT'S AND ENGINEER'S SPECIFICATIONS\*

The heating equipment shall include an QFG Series fan-forced air heater suitable for small area heating, as manufactured by QMark, A Marley Engineered Products Brand, Bennettsville, SC. The heater shall be cULus Listed. The Heater shall be designed for surface or recessed wall mounting in the horizontal position. For surface mounting a GFRSM surface mounting box shall be required.

**BACK BOX:** The back box shall be designed for duty as a recessed rough-in box in either masonry or frame construction. The back box shall be heavy guage galvanized steel and shall contain knock outs through which field wiring leads enter the box. A ground wire pigtail lead shall be attached to the back box. Detachable back box mounting brackets shall be used to insure proper installation.

**INNER FRAME ASSEMBLY:** The inner frame assembly shall consist of a heavy guage galvanized steel chassis on which are mounted the heating element, protected motor and tangential blower and over temperature protector. The inner frame assembly shall be completely prewired with pigtail leads for field wiring. The inner frame assembly shall lock into the back box without fasteners.

**HEATING ELEMENT:** The heating element shall be a fast response open coil type for quick warm up and low maintenance. The element shall cover the entire air discharge area to ensure uniform heating of all discharge air. The wattage output of the unit shall be adjustable by moving jumper wires on a wattage control terminal board.

**MOTOR AND CONTROLS:** The fan motor shall be impedance protected and permanently lubricated. The over temperature protector shall be bi-metallic, snap-action type designed to shut off heater in the event of overheating. A pilot light shall be provided that will illuminate if the over temperature protector operates. The element shall contain a "one shot" thermal protector that acts as a back-up protector.

**FRONT COVER:** The louvered front cover shall be of commercial grade steel finished in Northern White high temperature polyester powder coating. It will attach to the back box with two screws.

*\*QMark reserves the right to change specifications without notice.*

### SELECTION CHART

CATALOG NUMBER	VOLTS	WATTS	BUILT-IN THERMO	AMPS.
QFG1512IFM	120	375/750/1125/1500	No	3.1/6.3/9.4/12.5
QFG2024IFM	240	500/1000/1500/2000	No	2.1/4.2/6.3/8.3
QFG2224IFM	240	563/1125/1688/2250	No	23./4.7/7.0/9.4
QFG2228IF	208	2200	No	10.6
QFG1512T2M	120	275/750/1125/1500	Yes	3.1/6.3/9.4/12.5
QFG2024T2M	240	500/1000/1500/2000	Yes	2.1/4.2/6.3/8.3
QFG2224T2M	240	563/1125/1688/2250	Yes	2.3/4.7/7.0/9.4

NOTE: "IF" models include heater assembly and grille only. Order back box separately: See accessories.

NOTE: For installations over 7500 feet above sea level we recommend using models under 1500 watts.

NOTE: T2 Model are complete heater assemblies with grille, back box, and thermostat.

### MOUNTING LIMITATIONS

For wall mounting only. Do not install back box closer than 4 inches from floor, 6 inches from adjacent walls and 36 inches from the ceiling. Do not install heater behind towel rack, behind door, in floor, in closet, in ceiling or where airflow may be obstructed. To insure proper operation, maintain 5-foot minimum clearance to furniture or other objects placed directly in front of the heater.

### CLIP-N-FIT® FEATURE

Patented Clip-N-Fit® feature (US Patented No. 6,172,343) allows the installer to change the wattage of the heater to a lower output without moving jumper wire. Each heater is factory wired for its maximum wattage. To change wattage, clip out either jumper 1 or 2 as shown in the installation manual for desired wattage. This Patented Clip-N-Fit® feature also prevents the operator to change wattage after installation to a higher wattage.

### ACCESSORIES

CATALOG NO.	DESCRIPTION
GFRBB	Single Back Box
GFRBB6	Back Box - Multi Pack
QFGTSP	Single Pole Thermostat
QFGTDP	Double Pole Thermostat
GFRSM	Surface Mounting Frame