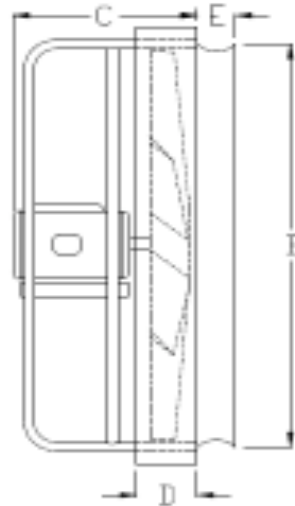
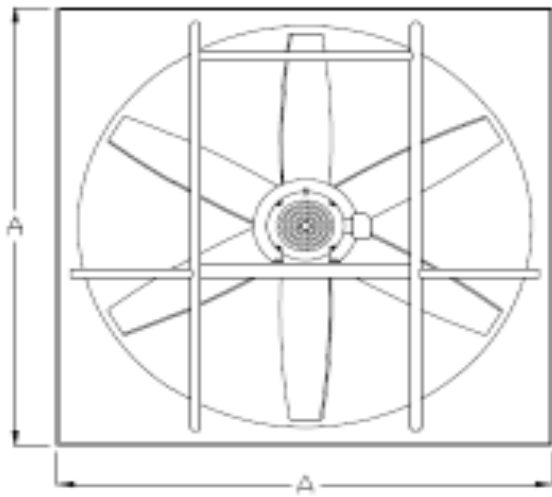


PROJECT _____	ENGINEER _____	SUBMITTED BY _____
DATE _____	ARCHITECT _____	NOTES: _____
SHEET _____ OF _____	CONTRACTOR _____	NOTES: _____



**Accessories:**

Shutters, front and rear guards, or complete shutter, rear guard and wall collar package assembly.

**Specifications:**

12" to 60" sizes available with 115/230V, 1PH or 208-230/460V, 3PH totally enclosed or explosion motors.

Non-sparking cast aluminum blades.

14 gauge steel venturi with welded steel tube bracing. Industrial enamel grey finish.

Shipped fully assembled. 1-year warranty.

**Options Available:**

Reverse flow for supply. Venturi can be reversed when flat front is required (steel or metal buildings). Acid resistant coating. Call Factory. Add EXP suffix to model number when ordering Explosion Proof model.

Blade	A	B	C	D	E
12"	16"	13"	11"	1"	1-1/4"
16"	20"	17-1/2"	11"	1"	2-1/4"
20"	24"	21-1/2"	13"	1"	2-3/4"
24"	30"	25-1/2"	15"	2-3/4"	3-1/2"
30"	36"	31-1/2"	15"	2-3/4"	3-1/2"
36"	42"	37-1/2"	15"	2-3/4"	4"
42"	48"	44"	18"	2-3/4"	1-1/4"
48"	54"	50-1/2"	20"	2-3/4"	4-1/2"
60"	66"	62"	22"	2-3/4"	5"

ITEM	QTY.	MARK	MODEL NUMBER	BLADE DIA.	PANEL SIZE SQ.	MOTOR HP	VOLTS	PHASE	MOTOR TYPE TE / EXP	RPM	CFM @ 0" SP	APPROX. WEIGHT