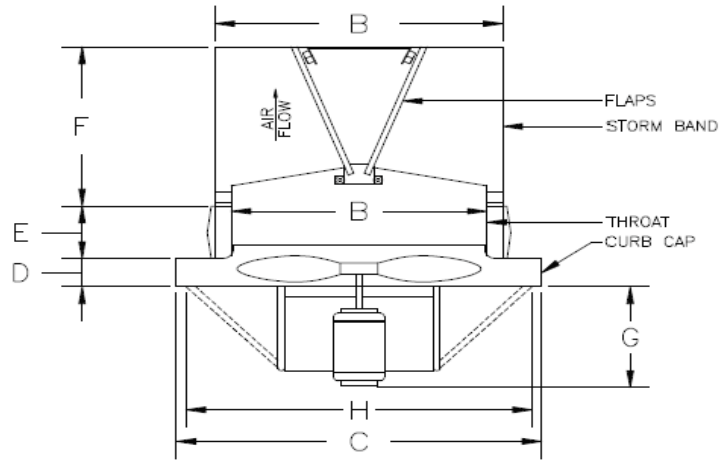


PROJECT \_\_\_\_\_  
 DATE \_\_\_\_\_  
 SHEET \_\_\_\_\_ OF \_\_\_\_\_

ENGINEER \_\_\_\_\_  
 ARCHITECT \_\_\_\_\_  
 CONTRACTOR \_\_\_\_\_

SUBMITTED BY \_\_\_\_\_  
 NOTES: \_\_\_\_\_  
 NOTES: \_\_\_\_\_



FAN SIZE A	B	C	D	E	F	G	H
18"	24"	33" Sq.	2-1/2"	3"	16"	13"	28"
24"	30"	39" Sq.	2-1/2"	3"	19"	15"	34"
30"	36"	45" Sq.	2-1/2"	3"	22"	15"	40"
36"	42"	51" Sq.	2-1/2"	3"	25"	18"	46"
42"	48"	57" Sq.	2-1/2"	3"	27"	18"	52"
48"	54"	63" Sq.	2-1/2"	3"	30"	20"	58"

Note: H-dimension = square roof opening required. G-dimension varies with motor size.

**Specifications:**

18" to 48" sizes available with 115/230V, 1PH or 230/460V, 3PH direct drive totally enclosed motors (standard). Open drip proof (ODP) and explosion proof (EXP) motors optional.

Non-sparking cast aluminum blades.

Rolled inlet venturi for efficient air flow with low noise.

Butterfly damper axles pivot on self-lubricating nylon bearings. Damper edge tapered for weather seal.

Rubber shim under dampers for better seal and rubber stops for quiet operation.

Wind band is 18 gauge galvanized steel with 2" double rolled edge top and bottom for added strength.

Size of roof opening to be 6" larger than "B" dimension.

One year limited warranty.

**Accessories:**

Flat, slope or ridge style insulated roof curbs available.

**Options Available:**

Acid resistant coating and explosion proof models. Call factory for pricing and availability. When ordering, add suffix ODP (open drip proof), TE (totally enclosed) or EXP (explosion proof). Back draft dampers can be provided in curb base only.

ITEM	QTY.	MARK	MODEL NUMBER	FAN SIZE	PANEL SIZE SQ.	MOTOR HP	VOLTS	PHASE	MOTOR TYPE TE / ODP	RPM	CFM @ 0" SP	APPROX. WEIGHT