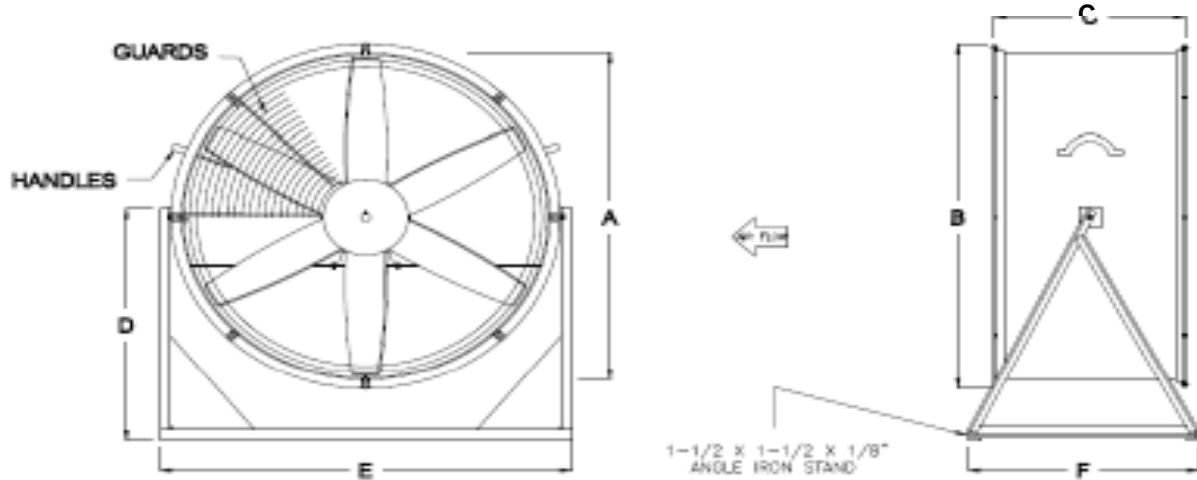


PROJECT _____	ENGINEER _____	SUBMITTED BY _____
DATE _____	ARCHITECT _____	NOTES: _____
SHEET _____ OF _____	CONTRACTOR _____	NOTES: _____



Blade	A	B	C	D	E
18"	20"	20"	28"	23-1/2"	32"
24"	26"	20"	28"	29-1/2"	32"
30"	32"	20"	28"	35-1/2"	32"
36"	38"	24"	28"	41-1/2"	32"
42"	44"	24"	28"	47-1/2"	32"
48"	51"	28"	36"	53-1/2"	32"

Specifications:

- 18" to 48" sizes available with 115/230V, 60HZ, 1PH or 230/460V, 60HZ, 3 PH totally enclosed or explosion motors.
- Non-sparking cast aluminum blades.
- Rugged, heavy duty 14 gauge steel body with industrial grey enamel coating.
- 360 degree swivel stand.
- Meets Federal OSHA requirements.
- 1 year limited warranty.

Options Available:

- Acid resistant coating and manual starter switch.
- Call factory. Add EXP suffix to model number when ordering explosion proof models.

Accessories:

- Casters (2 Fixed and 2 Swivel) Factory Installed.

ITEM	QTY.	MARK	MODEL NUMBER	BLADE DIA.	TOTAL HEIGHT	MOTOR HP	VOLTS	PHASE	MOTOR TYPE TE / EXP	RPM	CFM @ 0" SP	APPROX. WEIGHT