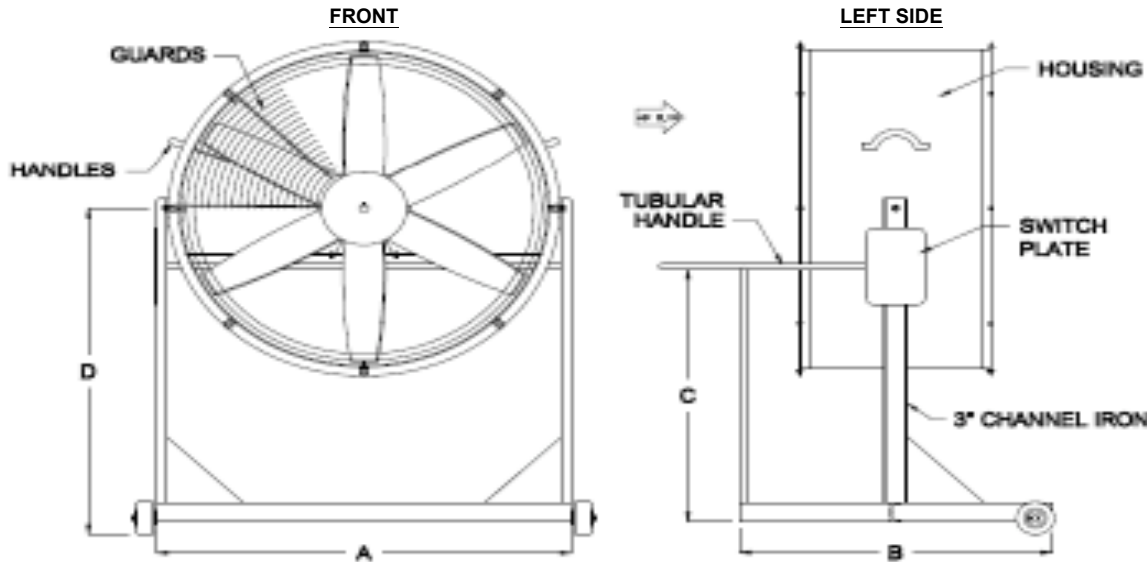


PROJECT	ENGINEER	SUBMITTED BY
DATE	ARCHITECT	NOTES:
SHEET _____ OF _____	CONTRACTOR	NOTES:



Specifications:

18" to 48" sizes available with 115/230V, 60HZ, 1PH or 230/460V, 60HZ, 3PH totally enclosed or explosion motors.
 Non-sparking cast aluminum blades.
 Rugged, heavy duty 14 gauge steel body with industrial grey enamel coating.
 360 degree swivel stand.
 Meets Federal OSHA requirements.
 1 year limited warranty.

Options Available:

Acid resistant coating and manual starter switch.
 Call factory. Add EXP suffix to model number when ordering explosion proof models.

BLADE	A	B	C	D
18"	23"	30"	25"	42"
24"	29"	30"	25"	42"
30"	35"	30"	25"	42"
36"	41"	30"	25"	42"
42"	47"	30"	25-1/2"	42"
48"	53"	30"	25-1/2"	42"

ITEM	QTY.	MARK	MODEL NUMBER	BLADE DIA.	TOTAL HEIGHT	MOTOR HP	VOLTS	PHASE	MOTOR TYPE TE / EXP	RPM	CFM @ 0" SP	APPROX. WEIGHT