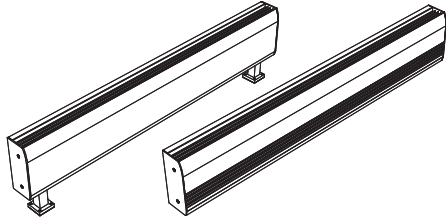




A Marley Engineered Products Brand

470 Beauty Spot Rd. E, Bennettsville, SC 29512

SUBMITTAL SHEET
Slim Line Architectural Sill-Height Convection Heaters
Type ASLC



Dimensions

| Type | Height | Width | Length |
|------|-------------|----------------|-------------------------------|
| ASLC | 6" 152mm | 2-3/4" 70mm | 24" to 12' 610mm to 3658mm |

| ITEM | QTY. | CATALOG NUMBER | TAG | LENGTH | NO. OF ELEMENTS | WATTS | VOLTS | Ø | AMPS | BUILT-IN CONTROLS |
|------|------|----------------|-----|--------|-----------------|-------|-------|---|------|-------------------|
| | | | | | | | | | | |
| | | | | | | | | | | |
| | | | | | | | | | | |
| | | | | | | | | | | |
| | | | | | | | | | | |
| | | | | | | | | | | |
| | | | | | | | | | | |

Accessories and Controls

| ITEM | QTY. | CAT. NO. | TAG | DESCRIPTION |
|------|------|----------|-----|-------------|
| | | | | |
| | | | | |
| | | | | |
| | | | | |
| | | | | |
| | | | | |
| | | | | |

| SUBMITTED BY: | DATE |
|---------------|------|
| | |
| | |
| | |
| | |

| APPROVED BY: | DATE |
|--------------|------|
| | |
| | |
| | |
| | |

ASLC SERIES - SLIM LINE ARCHITECTURAL SILL-HEIGHT CONVECTOR HEATERS

SPECIFICATIONS

| CATALOG NUMBER (See Note 2) | DIMENSIONS (SEE NOTE 1) W x H x L | WATT DENSITY | NO. OF ELEMENTS | SHIP WEIGHT LBS. |
|--------------------------------|---|---|-----------------|------------------|
| ASLC01 | 2 3/4" x 6" x 24" | 125 W/Ft. ++ 150 W/Ft. +++ 188 W/Ft. + 250 W/Ft. ++++ | 1 | 8 |
| ASLC02 | 2 3/4" x 6" x 28" | 100 W/Ft. ‡ 125 W/Ft. * 150 W/Ft. * 188 W/Ft. * 250 W/Ft. ** | 1 | 8 |
| ASLC03 | 2 3/4" x 6" x 3' | 100 W/Ft. * 125 W/Ft. ** 150 W/Ft. ** 188 W/Ft. ** 250 W/Ft. ** | 1 | 10 |
| ASLC04 | 2 3/4" x 6" x 4' | 100 W/Ft. ** 125 W/Ft. ** 150 W/Ft. ** 188 W/Ft. 250 W/Ft. | 1 | 13 |
| ASLC05 | 2 3/4" x 6" x 5' | 100 W/Ft. ** 125 W/Ft. 150 W/Ft. 188 W/Ft. 250 W/Ft. | 1 | 17 |
| ASLC06 | 2 3/4" x 6" x 6' | 100 W/Ft. 125 W/Ft. 150 W/Ft. 188 W/Ft. 250 W/Ft. | 1 | 20 |
| ASLC07 | 2 3/4" x 6" x 7' | 100 W/Ft. 125 W/Ft. 150 W/Ft. 188 W/Ft. 250 W/Ft. | 1 | 24 |
| ASLC08 | 2 3/4" x 6" x 8' | 100 W/Ft. 125 W/Ft. 150 W/Ft. 188 W/Ft. 250 W/Ft. | 1 | 27 |
| ASLC09 | 2 3/4" x 6" x 9' | 100 W/Ft. 125 W/Ft. 150 W/Ft. 188 W/Ft. 250 W/Ft. | 1 | 30 |
| ASLC10 | 2 3/4" x 6" x 10' | 100 W/Ft. 125 W/Ft. 150 W/Ft. 188 W/Ft. 250 W/Ft. | 1 | 33 |

- Cabinet available up to 12' length.
 - Backs are provided standard with no finish. For finished backs, add 10% to List price.
 - Knockouts on back omitted by request only.
 - + Not available in 220V, 347V or 600V.
 - ++ Not available in 120V, 208V, 240V, 277V, 347V or 600V.
 - +++ Not available in 120V, 220V, 277V, 347V or 600V.
 - ++++ Not available in 120V, 220V, 347V or 600V.
 - * Not available in 347V or 600V.
 - ** Not available in 600V.
 - ‡ Not available in 277V, 347V, or 600V.
- NOTE:** All models are NON-STOCK made-to-order. When ordering, specify quantity, catalog number, voltage, wattage, optional controls, and color. Consult sales representative for lead times.

BLANK SECTIONS & ACCESSORIES (FOR MODEL ASLC CONVECTORS)

| CATALOG NUMBER (SEE NOTE 1) | DIMENSIONS W x H x L | INLET | SHIP WEIGHT LBS. |
|--------------------------------|-------------------------|--------------|------------------|
| SLCBS1F | 2 3/4" x 6" x 1' | Front Inlet | 4 |
| SLCBS1B | | Bottom Inlet | |
| SLCBS2F | 2 3/4" x 6" x 28" | Front Inlet | 7 |
| SLCBS2B | | Bottom Inlet | |
| SLCBS3F | 2 3/4" x 6" x 3' | Front Inlet | 9 |
| SLCBS3B | | Bottom Inlet | |
| SLCBS4F | 2 3/4" x 6" x 4' | Front Inlet | 12 |
| SLCBS4B | | Bottom Inlet | |
| SLCBS5F | 2 3/4" x 6" x 5' | Front Inlet | 16 |
| SLCBS5B | | Bottom Inlet | |
| SLCBS6F | 2 3/4" x 6" x 6' | Front Inlet | 19 |
| SLCBS6B | | Bottom Inlet | |
| SLCBS7F | 2 3/4" x 6" x 7' | Front Inlet | 22.5 |
| SLCBS7B | | Bottom Inlet | |
| SLCBS8F | 2 3/4" x 6" x 8' | Front Inlet | 24 |
| SLCBS8B | | Bottom Inlet | |
| SLCBS9F | 2 3/4" x 6" x 9' | Front Inlet | 27 |
| SLCBS9B | | Bottom Inlet | |
| SLCBS10F | 2 3/4" x 6" x 10' | Front Inlet | 30 |
| SLCBS10B | | Bottom Inlet | |

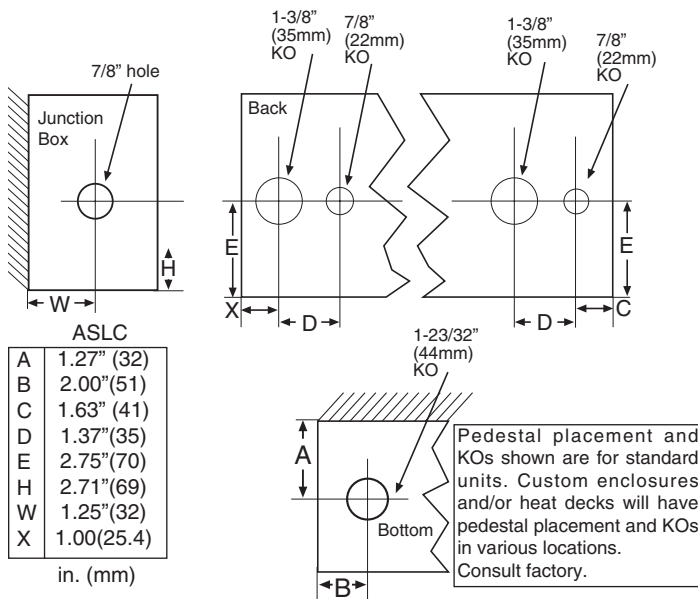
NOTE: Blank section grilles are not punched unless requested.

| ACCESSORY CATALOG NUMBER * | DESCRIPTION | ADDITIONAL WALL SPACE REQUIRED | SHIP WEIGHT LBS. |
|----------------------------|--------------------------------|--------------------------------|------------------|
| SLCECL | End Cap - Left | 1/8" | 1 |
| SLCECR | End Cap - Right | 1/8" | 1 |
| SLCICF | Inside Corner-Front In | 8 1/2" | 5 |
| SLCICB | Inside Corner-Bottom In | 8 1/2" | 5 |
| SLCOCF | Outside Corner-Front In | 5" | 4 |
| SLCOCB | Outside Corner-Bottom In | 5" | 4 |
| SLCDESBL | Dec. End Section-Bot In, Left | 9 9/64" | 5 |
| SLCDESBR | Dec. End Section-Bot In, Right | 9 9/64" | 5 |
| SLCDESFL | Dec. End Section-Fnt In, Left | 9 9/64" | 4 |
| SLCDESFR | Dec. End Section-Fnt In, Right | 9 9/64" | 4 |
| SLCSP | Splice Plate | 0" - 1/4" | 1 |
| SLCFL3 | Filler Section 3" | 0" - 3" | 1 |
| SLCFL6 | Filler Section 6" | 3" - 6" | 1 |
| SLCFL9 | Filler Section 9" | 6" - 9" | 1 |
| SLCFL12 | Filler Section 12" | 9" - 12" | 1 |
| SLCFL18 | Filler Section 18" | 12" - 18" | 1.5 |
| SLCFL24 | Filler Section 24" | 18" - 24" | 1.5 |
| SLCDRF | Receptacle Section-Fnt In | 4 1/2" | 1.5 |
| SLCDRB | Receptacle Section-Bot In | 4 1/2" | 1.5 |
| SLCPEF | Pneu/Ele Sw-Fnt In | 4 1/2" | 2 |
| SLCPEB | Pneu/Ele Sw-Bot In | 4 1/2" | 2 |
| SLCPK3A ** | Architectural Pedestal | - | 2 |
| SO1A | Stand-Off Bracket | - | 1 |

- * Add suffix -P for painted, -C for clear anodized, -B for bronze anodized.
- ** One pedestal. Two required on units up to 10', three required on units over 10'.

| SUFFIX ADDITION TO BASIC CAT. NO. (SEE NOTE D) | OPTIONAL BUILT-IN CONTROLS | RATINGS |
|--|-----------------------------|--|
| T | 1-Pole Thermostat | Rated 24 amps @ 120-240 VAC and 22 amps @ 277 VAC. Pilot duty rating of 125 VA (all voltages). 60-120°F temperature range adjustable through outlet grille-tamper-resistant. (See Note B.) |
| 2T | 2-Pole Thermostat | Rated 24 amps @ 120-240 VAC and 22 amps @ 277 VAC. Pilot duty rating of 125 VA (all voltages). 60-120°F temperature range adjustable through outlet grille-tamper-resistant. (See Note B for amperage restrictions.) |
| DS | Power ON/OFF Switch | Double-pole, rated 20 amp @ 120-277 VAC. (See Note A.) For heaters over 20 amps specify two. |
| TR | Transformer Relay | Single-pole, low voltage relay with built-in transformer (24 VAC control), rated 25 amps @ 120-240 VAC and 22 amps @ 277 VAC. (See Note E and F) 17 amps @ 347V, 12 amps @ 600V. |
| PR | Power Relay | Single-pole magnetic relay, rated 25 amps @ 120-600 VAC. (See Notes E). Specify control voltage. |
| PE | Pneumatic / Electric Switch | Pressure set-point @ 10 PSIG adjustable to 30 PSIG. Can be set to "make" or "break" on pressure drop. Rated 25 amps @ 120-277 VAC. (See Note F.) |
| PDT | 1-Pole Thermostat | Same as -T except Pilot Duty. (See note C) |
| R | Receptacle | For built-in or as installed in a control section |

- A. For 1Ø loads over 20A, specify 2 Power ON/OFFs.
 B. This control option is not available on single-phase heaters over 24 amps (22 amps on 277 VAC). In combination with the Power ON/OFF option use the 2T thermostat option on heaters over 20 amps.
 C. Requires PR or TR.
 D. Up to 30 power relays in different heater can be controlled by each stage of a two-stage pilot duty thermostat.
 E. Two relays are required on single-phase heaters over 20 amps with a Power ON/OFF, over 25 amps without a Power ON/OFF.
 F. For ASLC Series theTR (transformer relay) R (Duplex Receptacle) PE (Pneumatic switch) will be installed in separate 4 inch long internal control boxes.



ARCHITECT'S AND ENGINEER'S SPECIFICATIONS*

Furnish and install, where indicated on plans, ASLC Series convector type heaters, suitable for continuous operation, as manufactured by Berko, A Marley Engineered Products Brand, Bennettsville, SC.

ENCLOSURE Shall be 12-gauge (.080" min.) aluminum extrusion. The one-piece back and bottom shall join to the one-piece top and front utilizing Berko's Snap-Lock design (patent pending). Both inlet and outlet air grilles shall be punched pencil-proof slots negating the need for mesh under the grille.

SIZE Heaters shall be low profile (2-3/4" x 6") and available in length from 24 inches through 10 feet. Additionally, custom length cabinets up to 12 feet with single or multiple heat decks shall be furnished as specified.

HEATING LENGTHS AND VOLTAGES Heater lengths, voltages and wattage capacities shall be as indicated on the plans.

FINISH The top and front shall be finished with polyester powder paint or anodized.

HEATING ELEMENTS The nickel-chromium heating element wire shall be encased in a steel sheath for maximum, trouble-free element life. Aluminum fins shall be pressure bonded to the steel sheath. Elements shall be centered anchored and shall float freely at each end through high-temperature Noryl bushings.

CONTROL SECTIONS Control sections, finished to match heaters, shall be furnished as an optional accessory for field installation of controls, or shall be used to house factory-installed controls as specified.

OPTIONAL BUILT-IN CONTROLS Thermostats, power relay, low-voltage control relays, and Power ON/OFF, singly or in combination, may be specified for factory installation in heaters. Thermostats and Power ON/OFF are accessible through the grille.

PEDESTALS The heater shall be convertible for use as a self-standing unit with pedestal conversion kit. Pedestals shall be painted steel or anodized aluminum. Pedestals can either be mounted on or embedded in the floor surface and wiring or conduit brought through the pedestal during installation.

*Berko reserves the right to change specifications without prior notice.



Marley[®]
Engineered Products

470 Beauty Spot Rd. E.
Bennettsville, SC 29512