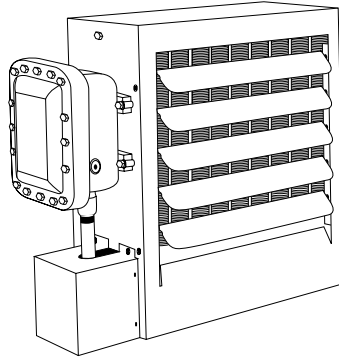




Approved for Division I,  
Class I, Group C & D  
Class II, Group E\*, F, & G



CAPACITIES
3, 5, 7.5, 10, 15, 20, 25, 30, 35 KW 208, 240, 480, 600V 1Ø or 3Ø (480 & 600 V 3Ø only)

JOB NAME: \_\_\_\_\_

LOCATION: \_\_\_\_\_

ARCHITECT: \_\_\_\_\_

ENGINEER: \_\_\_\_\_

CONTRACTOR: \_\_\_\_\_

SUBMITTED BY: \_\_\_\_\_

DATE: \_\_\_\_\_

QTY.	CATALOG NUMBER	TAG	HEATER			AMPS	CONTROL CKT. VOLTS	IGNITION TEMPERATURE CODE	AIR FLOW		BUILT-IN CONTROLS
			KW	VOLTS	PHASE Ø				CFM	°F RISE	

ACCESSORIES  
AND  
CONTROLS

QTY.	CATALOG NUMBER	TAG	DESCRIPTION

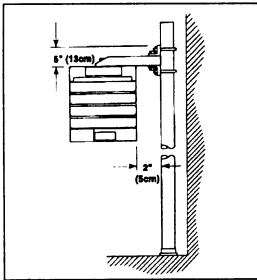
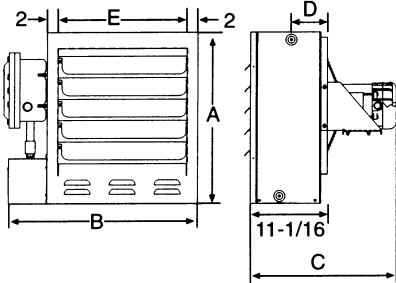


A Division of Marley Engineered Products  
470 Beauty Spot Rd. E, Bennettsville SC 29512

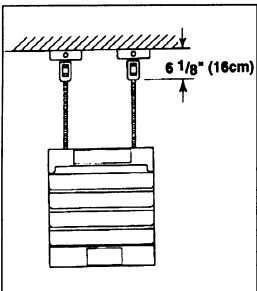
**SELECTION CHART**

CATALOG NUMBER	HEATER VOLTS	WATTS (K/W)	PHASE	CONTROL VOLTAGE*	OUTPUT BTU/HR.	TOTAL AMPS	VOLUME CFM	AIR RISE	TEMP THROW	SHIP WT. (lbs)
RUX300812	208	3	1	24	10,236	16.7	700	13°F	28 ft.	135
RUX300832	208	3	3	24	10,236	9.7	700	13°F	28 ft.	135
RUX300412	240	3	1	24	10,236	14.8	700	13°F	28 ft.	135
RUX300432	240	3	3	24	10,236	8.6	700	13°F	28 ft.	135
RUX3004832	480	3	3	24	10,236	4.3	700	13°F	28 ft.	135
RUX300632	600	3	3	24	10,236	3.6	700	13°F	28 ft.	135
RUX500812	208	5	1	24	17,060	26.3	700	22°F	28 ft.	135
RUX500832	208	5	3	24	17,060	15.3	700	22°F	28 ft.	135
RUX500412	240	5	1	24	17,060	33.6	700	22°F	28 ft.	135
RUX500432	240	5	3	24	17,060	19.4	700	22°F	28 ft.	135
RUX5004832	480	5	3	24	17,060	9.7	700	22°F	28 ft.	135
RUX500632	600	5	3	24	17,060	8.1	700	22°F	28 ft.	135
RUX750812	208	7.5	1	24	25,590	38.4	840	27°F	28 ft.	135
RUX750832	208	7.5	3	24	25,590	22.2	840	27°F	28 ft.	135
RUX750412	240	7.5	1	24	25,590	33.6	840	27°F	28 ft.	135
RUX750432	240	7.5	3	24	25,590	19.4	840	27°F	28 ft.	135
RUX7504832	480	7.5	3	24	25,590	9.7	840	27°F	28 ft.	135
RUX750632	600	7.5	3	24	25,590	8.1	840	27°F	28 ft.	135
RUX1000832	208	10	3	24	34,120	29.2	840	36°F	32 ft.	140
RUX1000412	240	10	1	24	34,120	44.5	840	36°F	32 ft.	140
RUX1000432	240	10	3	24	34,120	25.5	840	36°F	32 ft.	140
RUX10004832	480	10	3	24	34,120	12.7	840	36°F	32 ft.	140
RUX1000632	600	10	3	24	34,120	10.6	840	36°F	32 ft.	140
RUX1500832	208	15	3	24	51,180	43.0	1450	31°F	47 ft.	160
RUX1500432	240	15	3	24	51,180	37.5	1450	31°F	47 ft.	160
RUX15004832	480	15	3	24	51,180	18.7	1450	31°F	47 ft.	160
RUX1500632	600	15	3	24	51,180	15.7	1450	31°F	47 ft.	160
RUX20004832	480	20	3	24	68,240	24.8	1400	43°F	43 ft.	171
RUX2000632	600	20	3	24	68,240	20.7	1400	43°F	43 ft.	171
RUX25004832	480	25	3	24	85,300	31.1	2330	32°F	54 ft.	216
RUX2500632	600	25	3	24	85,300	25.8	2330	32°F	54 ft.	216
RUX30004832	480	30	3	24	102,360	37.1	2330	39°F	54 ft.	216
RUX3000632	600	30	3	24	102,360	30.2	2330	39°F	54 ft.	216
RUX35004832	480	35	3	24	119,420	43.1	2330	45°F	54 ft.	216
RUX3500632	600	35	3	24	119,420	36.0	2330	45°F	54 ft.	216

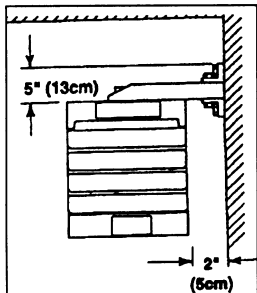
\*Note: Above models have built-in 24 volt control. Optional 120 volt control is available. Replace the "2" suffix with "1" for 120 volt control.



Pole Mounting Bracket



Ceiling Mounting Bracket



Wall Mounting Bracket

**DIMENSIONS:**

UNIT SIZE	A		B		C		D		E	
	IN.	MM	IN.	MM	IN.	MM	IN.	MM	IN.	MM
3-10KW	19-1/8	486	23-7/8	606	21	533	3-1/5	89	13-5/8	346
15-20KW	25	635	27-7/8	708	21	533	4-13/32	112	17-5/8	448
25-35KW	32-1/8	816	31-7/8	810	21-3/4	552	5-1/2	140	21-5/8	549

**ARCHITECT'S AND ENGINEER'S SPECIFICATIONS\***

Electric explosion proof unit heaters shall be supplied by Berko, a Division of Marley Engineered Products, Bennettsville, SC, USA, and shall be of the KW rating, voltage and phase specified in the schedule. They shall be fan-forced type, UL and cUL Approved for Class I, Divisions 1 and 2, Group Cand D; Class II, Divisions 1 and 2, Groups E, F and G

Unit heaters shall have manual reset thermal cutout for over temperature protection, controlling magnetic contactor and 24 Volt control circuit transformer housed in a NEMA 7, 9 cast aluminum enclosure.

The heat exchanger shall be liquid-to-air design, utilizing a steel tube core with integral aluminum fins. Nontoxic, inhibited, propylene glycol heat transfer fluid shall be used that provides freeze protection down to -49° F (-45°C). A Pressure relief plug shall be utilized to provide overpressure protection. The heat exchanger shall include industrial grade electric heating elements.

Heat exchanger and aluminum fan blade to be enclosed in an industrial grade, corrosion-resistant cabinet fabricated from polyester powder-coated, 14 gauge steel. Adjustable outlet louvers to have minimum opening safety stops.

Fan motor shall include permanently lubricated ball bearings and built-in thermal overload protection. Motor to operate at line voltage and be prewired to the control enclosure to eliminate the need for separate field wiring to the motor.

The heater shall be provided with an accessory mounting kit designed to bear the weight of heater assembly. Chose from either a ceiling mounting kit, wall mounting kit, or a pole mounting kit.

The following factory installed and prewired control options are to be supplied: adjustable built-in thermostat, disconnect switch with external handle, fan only switch, 120 Volt control circuit for special external thermostat circuit, pilot light (to indicate abnormal operation.)

The following optional motors are to be installed and prewired to the control enclosure: 50 hertz for international requirements, Arctic duty for -40° F (-40° C) operation raises ITC to T2B, Class I, Group D only, or Class II Group E metal dust location.

**ACCESSORIES**

<b>RUXPM12</b>	Pole Mounting Bracket for units 3KW thru 10KW.
<b>RUXPM16</b>	Pole Mounting Bracket for units 15KW thru 20KW.
<b>RUXPM18</b>	Pole Mounting Bracket for units 25KW thru 35KW.
<b>RUXWM12</b>	Wall Mounting Kit for units 3KW thru 10KW.
<b>RUXWM16</b>	Wall Mounting Kit for units 15KW thru 20KW.
<b>RUXWM18</b>	Wall Mounting Kit for units 25KW thru 35KW.
<b>RUXCMO</b>	Ceiling/Hang Mounting Kit for all Models.
<b>WR80EP</b>	Wall Mounted Thermostat.

Specify type of mounting bracket required at time of order entry.