

**SUBMITTAL SHEET
OBD SERIES
HEAVY-DUTY COMMERCIAL
BASEBOARD HEATERS**

| CAPACITIES | |
|--|--|
| 500 TO 2000 W | |
| 145, 188 or 250 Watts/ft. | |
| 28", 34", 46", 58", 79" or 94" lengths | |
| 1 phase only | |

OBD SERIES - HEAVY-DUTY COMMERCIAL BASEBOARD HEATERS

JOB NAME: _____

LOCATION: _____

ARCHITECT: _____

ENGINEER: _____

CONTRACTOR: _____

SUBMITTED BY: _____

DATE: _____

| ITEM | QTY. | CATALOG NUMBER | TAG | WATTS | VOLTS | PHASE Ø | AMPS | AVAILABLE CONTROLS |
|------|------|----------------|-----|-------|-------|------------|------|--------------------|
| | | | | | | | | |
| | | | | | | | | |
| | | | | | | | | |
| | | | | | | | | |
| | | | | | | | | |
| | | | | | | | | |
| | | | | | | | | |
| | | | | | | | | |
| | | | | | | | | |
| | | | | | | | | |

ACCESSORIES
AND
CONTROLS

| ITEM | QTY. | CAT. NO. | TAG | DESCRIPTION |
|------|------|----------|-----|-------------|
| | | | | |
| | | | | |
| | | | | |
| | | | | |
| | | | | |
| | | | | |
| | | | | |
| | | | | |

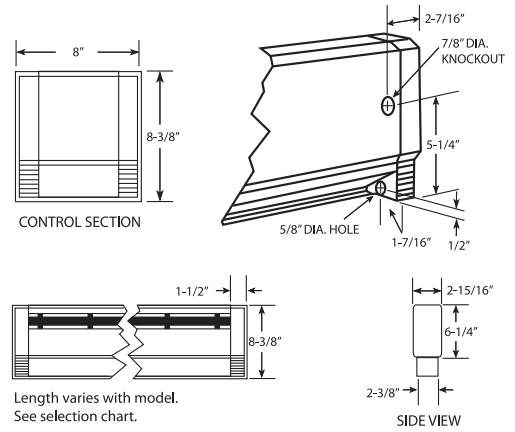


A Marley Engineered Products Brand

470 Beauty Spot Rd. E, Bennettsville, SC 29512

**WIRING COMPARTMENTS
DIMENSIONS**

Unit length varies
with model.
See Selection Chart.



ARCHITECT'S & ENGINEER'S SPECIFICATIONS*

Furnish and install where indicated on plans, electric baseboard heaters, suitable for continuous operation as manufactured by Berko, A Marley Engineered Products Brand, Bennettsville, SC. Heaters shall be cULus listed.

ENCLOSURE: The heaters shall be fabricated of minimum .028 inch electro-galvanized steel with minimum .040 inch electro-galvanized steel control boxes. Support brackets shall be 18 ga.

FRONT COVER: The front cover shall be fabricated of minimum 20 ga. galvanized steel.

HEATING ELEMENT: The heating element wire shall consist of 80% nickel, 20% chromium, and shall be encased in steel sheath to assure long and trouble free life. Aluminum fins shall be so designed as to block sheath radiation to front and back of heater body and pressure bonded to steel sheath.

INSTALLATION: Heaters shall be designed to permit use of supply conductors with 60°C insulation.

GENERAL: Linear thermal cut-out shall be factory installed to automatically shut off heater in event of overheating and reactive heater when temperatures return to normal. Raceway cover kit for providing an enclosed raceway is standard. The complete heater shall have a height of 8-3/8 inches and a depth of 2-15/16 inches. Heaters shall have cULus approval for mounting on any floor surface including carpeting. The heater shall have a textured polyester powder coat finish for corrosion resistance.

* Berko reserves the right to change specifications without prior notice.

SELECTION CHART

| CATALOG NUMBER | HEATER VOLTS | WATTS | BTU/HR | AMPS | LGTH. | SHIP WT.(Lbs.) |
|----------------|--------------|----------------|--------|-------------|-------|----------------|
| OBD500 | 120 | 500 | | 4.2 | | |
| OBD508 | 208 | 500 | | 2.4 | | |
| OBD504 | 240/208 | 500/375 | 1706 | 2.1/1.8 | 28" | 8 |
| OBD507 | 277/240/208 | 500/375/282 | | 1.8/1.6/1.4 | | |
| OBD750 | 120 | 750 | | 6.3 | | |
| OBD758 | 208 | 750 | | 3.6 | | |
| OBD754 | 240/208 | 750/562 | 2560 | 3.1/2.7 | 34" | 10 |
| OBD757 | 277/240/208 | 750/562/422 | | 2.7/2.3/2.0 | | |
| OBD1000 | 120 | 1000 | | 8.3 | | |
| OBD1008 | 208 | 1000 | | 4.8 | | |
| OBD1004 | 240/2.8 | 1000/750 | 3413 | 4.2/3.6 | 46" | 13 |
| OBD1007 | 277/240/208 | 1000/750/562 | | 3.6/3.1/2.7 | | |
| OBD1250 | 120 | 1250 | | 10.4 | | |
| OBD1258 | 208 | 1250 | | 6.0 | | |
| OBD1254 | 240/208 | 1250/938 | 4265 | 5.2/4.5 | 58" | 16 |
| OBD1257 | 277/240/208 | 1250/938/704 | | 4.5/3.9/3.4 | | |
| OBD1500 | 120 | 1500 | | 12.5 | | |
| OBD1508 | 208 | 1500 | | 7.2 | | |
| OBD1504 | 240/208 | 1500/1125 | 5120 | 6.3/5.4 | 70" | 20 |
| OBD1507 | 277/240/208 | 1500/1125/844 | | 5.4/4.7/4.1 | | |
| OBD2008 | 208 | 2000 | | 9.6 | | |
| OBD2004 | 240/208 | 2000/1500 | 6826 | 8.3/7.2 | 94" | 27 |
| OBD2007 | 277/240/208 | 2000/1500/1125 | | 7.2/6.3/5.4 | | |

ACCESSORIES

| CATALOG NO. | DESCRIPTION |
|-------------|---|
| HBBT1* | 22Amp @ 120-240VAC 18Amp @ 277VAC Single Pole Thermostat Snap Action Type. Field Installed in Junction Box. |
| HBBT2* | 22Amp @ 120-240VAC 18Amp @ 277VAC Double Pole Thermostat Snap Action Type. Field Installed in Junction Box. |
| HBBT1TP* | Same As Model HBBT1 Except Tamperproof. |
| HBBT2TP* | Same As Model HBBT2 Except Tamperproof. |
| HBBAC | Air Conditioner Outlet Section. 20Amp @ 208-240VAC. |
| HBBDR | Duplex Receptacle Section. 15Amp @ 120VAC. |
| HBBWS | 8" Blank Wiring Section. |
| HBBDSDR120 | 2 Pole disconnect switch and 120V receptacle. |

| CATALOG NO. | DESCRIPTION |
|-------------|---|
| HBBLVRO | Low Voltage Relay Control Section 25A @ 120VAC. |
| HBBLVR8 | Low Voltage Relay Control Section 25A @ 208VAC. |
| HBBLVR4 | Low Voltage Relay Control Section 25A @ 240VAC. |
| HBBCDS2 | Two Pole Disconnect Switch Section. |

Control Section 8" in length.

| CATALOG NO. | DESCRIPTION |
|-------------|------------------------|
| OBDCIC | Inside Corner Section |
| OBDCOC | Outside Corner Section |
| OBDBS2 | 2 Ft. Blank Section |
| OBDBS3 | 3 Ft. Blank Section |
| OBDBS4 | 4 Ft. Blank Section |
| OBDBS5 | 5 Ft. Blank Section |
| OBDBS6 | 6 Ft. Blank Section |
| OBDBS8 | 8 Ft. Blank Section |

* Installs in junction box.