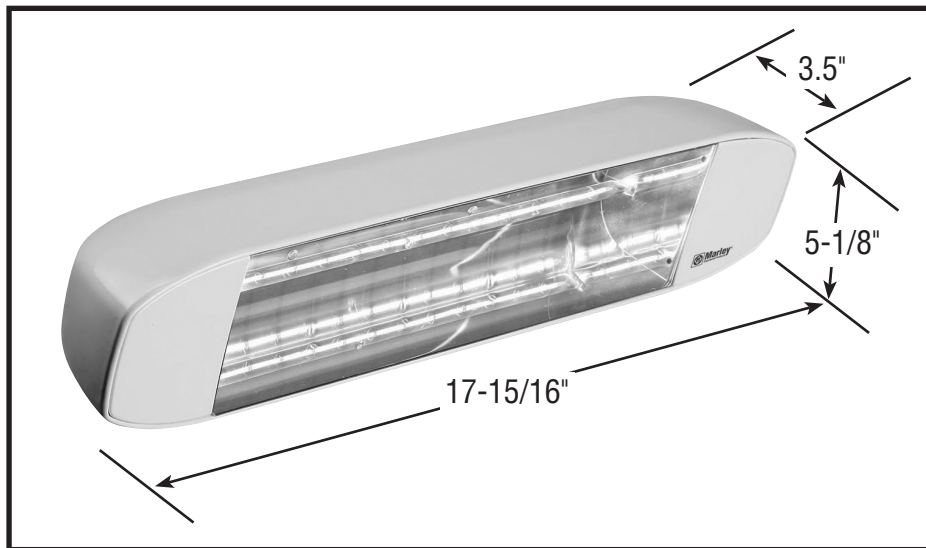
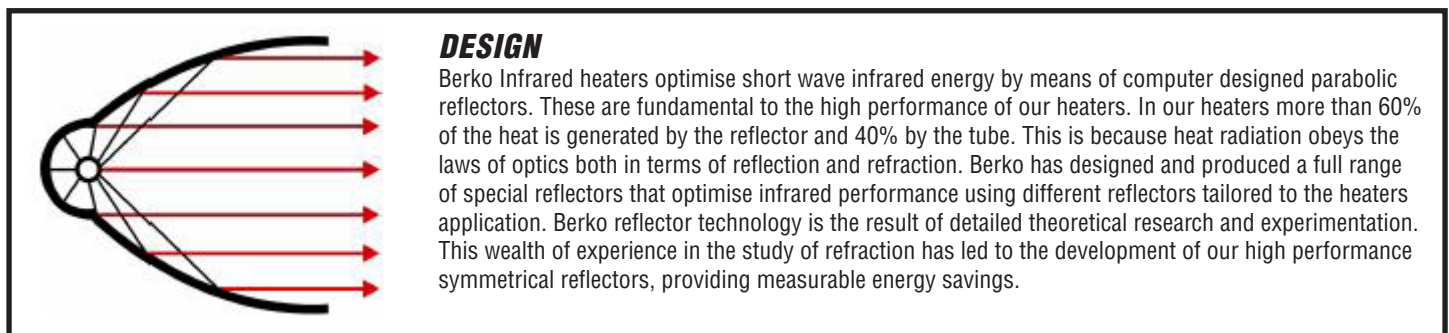


DIMENSIONS



MOUNTING LIMITATIONS

- This heater is intended for wall mounting only using the wall bracket provided with heater.
- Heater must be mounted at least 7 feet (2.1 M) off floor.
- Do not mount heater to ceiling.
- Top of heater must be located at least 8" (203 mm) from the ceiling with ends at least 36" (914mm) from walls.



DESIGN

Berko Infrared heaters optimise short wave infrared energy by means of computer designed parabolic reflectors. These are fundamental to the high performance of our heaters. In our heaters more than 60% of the heat is generated by the reflector and 40% by the tube. This is because heat radiation obeys the laws of optics both in terms of reflection and refraction. Berko has designed and produced a full range of special reflectors that optimise infrared performance using different reflectors tailored to the heaters application. Berko reflector technology is the result of detailed theoretical research and experimentation. This wealth of experience in the study of refraction has led to the development of our high performance symmetrical reflectors, providing measurable energy savings.

ARCHITECT'S AND ENGINEER'S SPECIFICATIONS

Furnish and install where indicated on the plans, Type (HRA) Short Save Infrared Heaters by Marley Engineered Products, Bennettsville, SC, USA. Heaters shall be ETL Listed for USA and cETL Listed for Canada and designed for indoor and outdoor wall mounting. All capacities, voltages, physical sizes and options shall be as specified in the heater schedule. All heaters shall be single phase.

Enclosure shall be die cast aluminum for HRA models and sheet steel for VRC models, bake painted, with design as specified in the heater schedule. Construction shall be a single piece design that allows one person installation and wiring. Reflector shall be highly polished aluminum with a beam angle of 102 degrees symmetrical.

Element (bulbs) shall be quartz lamp radiant heating type that transmit infrared rays generated by the heavy duty coiled element inside. The quartz lamp shall have high thermal shock characteristics. Elements (bulbs) shall be equipped with male quick connect tabs for 240 volt models and leads to connect to terminal block (for 120 volt models to provide a positive secure connection).

* Subject to change without notice.



470 Beauty Spot Road East
Bennettsville, South Carolina 29512
www.marleymep.com