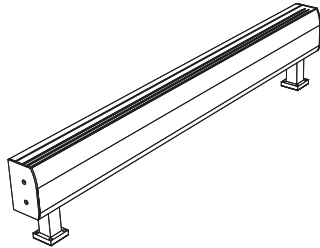




A Marley Engineered Products Brand

470 Beauty Spot Rd. E, Bennettsville, SC 29512

SUBMITTAL SHEET
Slim Line Draft Barrier
Convection Heaters
Type BDBSL



Dimensions

Type	Height	Width	Length
BDBSL	4" 152mm	2-5/8" 69mm	24" - 12' 610mm-58mm

JOB NAME: _____

LOCATION: _____

ARCHITECT: _____

ENGINEER: _____

CONTRACTOR: _____

SUBMITTED BY: _____

DATE: _____

ITEM	QTY.	CATALOG NUMBER	TAG	WATTS	VOLTS	PHASE Ø	AMPS	BUILT-IN CONTROLS

ACCESSORIES
AND
CONTROLS

ITEM	QTY.	CAT. NO.	TAG	DESCRIPTION

SUBMITTED BY:	DATE	APPROVED BY:	DATE

BDBSL SERIES - SLIM LINE DRAFT BARRIER CONVECTOR HEATERS

SPECIFICATIONS

CATALOG NUMBER (See Note 2)	DIMENSIONS (SEE NOTE 1) W x H x L	WATT DENSITY	NO. OF ELEMENTS	SHIP WEIGHT LBS.
BDBSL024	2 5/8" x 4" x 24"	100 W/Ft. ‡ 125 W/Ft. * 150 W/Ft. * 188 W/Ft. *	1	8
BDBSL028	2 5/8" x 4" x 28"	100 W/Ft. ‡ 125 W/Ft. * 150 W/Ft. * 188 W/Ft. *	1	8
BDBSL03	2 5/8" x 4" x 3'	100 W/Ft. * 125 W/Ft. ** 150 W/Ft. ** 188 W/Ft. **	1	10
BDBSL04	2 5/8" x 4" x 4'	100 W/Ft. ** 125 W/Ft. ** 150 W/Ft. ** 188 W/Ft.	1	13
BDBSL05	2 5/8" x 4" x 5'	100 W/Ft. ** 125 W/Ft. 150 W/Ft. 188 W/Ft.	1	17
BDBSL06	2 5/8" x 4" x 6'	100 W/Ft. 125 W/Ft. 150 W/Ft. 188 W/Ft.	1	20
BDBSL07	2 5/8" x 4" x 7'	100 W/Ft. 125 W/Ft. 150 W/Ft. 188 W/Ft.	1	24
BDBSL08	2 5/8" x 4" x 8'	100 W/Ft. 125 W/Ft. 150 W/Ft. 188 W/Ft.	1	27
BDBSL09	2 5/8" x 4" x 9'	100 W/Ft. 125 W/Ft. 150 W/Ft. 188 W/Ft.	1	30
BDBSL10	2 5/8" x 4" x 10'	100 W/Ft. 125 W/Ft. 150 W/Ft. 188 W/Ft.	1	33

- Cabinet available up to 12' length. Custom length cabinets are priced with heater and blank to the next larger size.
- Backs are provided standard with no finish. For finished backs, add 10% to List price.
- Knockouts on back omitted by request only.

* Not available in 347V or 600V.

** Not available in 600V.

‡ Not available in 277V, 347V, or 600V.

NOTE: All models are NON-STOCK made-to-order. When ordering, specify quantity, catalog number, voltage, wattage, optional controls, and color. Consult sales representative for lead times.

BLANK SECTIONS & ACCESSORIES (FOR MODEL BDBSL DRAFT BARRIER CONVECTORS)

CATALOG NUMBER (SEE NOTE 1)	DIMENSIONS W x H x L	SHIP WEIGHT LBS.
SLDBS1B	2 5/8" x 6" x 1'	4
SLDBS2B	2 5/8" x 6" x 28"	7
SLDBS3B	2 5/8" x 6" x 3'	9
SLDBS4B	2 5/8" x 6" x 4'	12
SLDBS5B	2 5/8" x 6" x 5'	16
SLDBS6B	2 5/8" x 6" x 6'	19
SLDBS7B	2 5/8" x 6" x 7'	22.5
SLDBS8B	2 5/8" x 6" x 8'	24
SLDBS9B	2 5/8" x 6" x 9'	27
SLDBS10B	2 5/8" x 6" x 10'	30

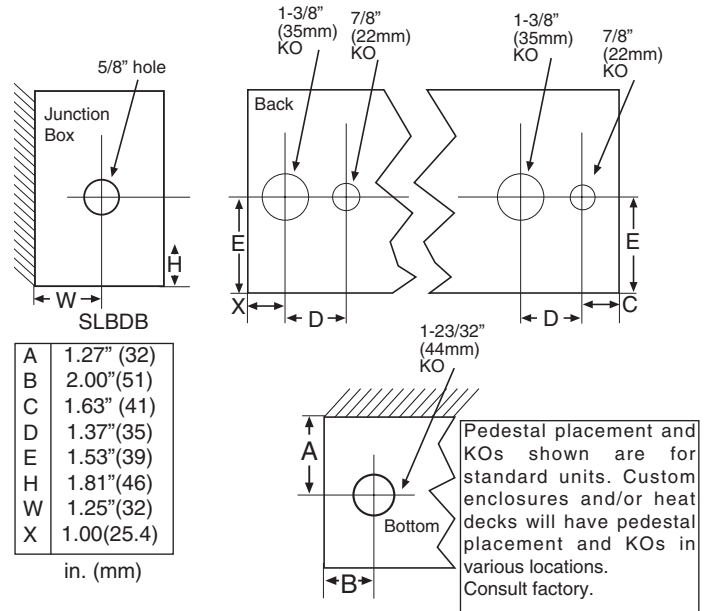
NOTE: Blank section grilles are not punched unless requested.

ACCESSORY CATALOG NUMBER *	DESCRIPTION	ADDITIONAL WALL SPACE REQUIRED	SHIP WEIGHT LBS.
SLDECL	End Cap - Left	1/8"	1
SLDECR	End Cap - Right		
SLDICB	Inside Corner-Bottom In	8 1/2"	5
SLDOCB	Outside Corner-Bottom In	5"	4
SLD135ICB	135° Inside Corner-Bot In	8 1/2"	5
SLD135OCB	135° Outside Corner-Bot In	5"	4
SLDSP	Splice Plate	0" - 1/4"	1
SLDFL3	Filler Section 3"	0" - 3"	1
SLDFL6	Filler Section 6"	3" - 6"	1
SLDFL9	Filler Section 9"	6" - 9"	1
SLDFL12	Filler Section 12"	9" - 12"	1
SLDFL18	Filler Section 18"	12" - 18"	1.5
SLDFL24	Filler Section 24"	18" - 24"	1.5
SLDDR	Receptacle Section-Bot In (Must use 1ft blank section)	12"	
SLDPK3A **	Architectural Pedestal	-	2
SO1A	Stand-Off Bracket	-	1

N/A - Not Available.

* Add suffix -P for painted, -C for clear anodized, -B for bronze anodized (excludes PK3S - Black only).

** One pedestal. Two required on units up to 10', three required on units over 10'.



OPTIONAL BUILT-IN CONTROLS (FOR DRAFT BARRIER CONVECTORS)

SUFFIX ADDITION TO BASIC CAT. NO.	OPTIONAL BUILT-IN CONTROLS	RATINGS
T	1-Pole Thermostat	Rated 24 amps @ 120-240 VAC and 22 amps @ 277 VAC. Pilot duty rating of 125 VA (all voltages). 60-120°F temperature range adjustable through outlet grille-tamper-resistant. (See Note B.) Not available on three-phase heaters.
2T	2-Pole Thermostat	Rated 24 amps @ 120-240 VAC and 22 amps @ 277 VAC. Pilot duty rating of 125 VA (all voltages). 60-120°F temperature range adjustable through outlet grille-tamper-resistant. (See Note B for amperage restrictions.)
DS	Disconnect Switch	Double-pole, rated 20 amp @ 120-277 VAC. (See Note A.) For 3Ø heaters and 1Ø heaters over 20 amps specify two.
PR	Power Relay	Single-pole magnetic relay, rated 25 amps @ 120-600 VAC. Specify control voltage.

A. For 1Ø loads over 20A and all 3Ø loads, specify 2 disconnect switches.

B. This control option is not available on single-phase heaters over 24 amps (22 amps on 277 VAC).

ARCHITECT'S AND ENGINEER'S SPECIFICATIONS*

Furnish and install, where indicated on plans, BDBSL Draft Barrier convector type heaters, suitable for continuous operation, as manufactured by Berko, A Marley Engineered Products Brand, Bennettsville, SC.

ENCLOSURE Shall be 12-gauge (.080" min.) aluminum extrusion. The one-piece back and bottom shall join to the one-piece top and front utilizing Berko's Snap-Lock design (patent pending). Both inlet and outlet air grilles shall be punched pencil-proof slots negating the need for mesh under the grille.

SIZE Heaters shall be low profile (2-5/8" x 4") and available in length from 24 inches through 10 feet. Additionally, custom length cabinets up to 12 feet with single or multiple heat decks shall be furnished as specified.

HEATING LENGTHS AND VOLTAGES Heater lengths, voltages and wattage capacities shall be as indicated on the plans.

FINISH The top and front shall be finished with polyester powder paint or anodized.

HEATING ELEMENTS The nickel-chromium heating element wire shall be encased in a steel sheath for maximum, trouble-free element life. Aluminum fins shall be pressure bonded to the steel sheath. Elements shall be centered anchored and shall float freely at each end through high-temperature Noryl bushings.

CONTROL SECTIONS Control sections, finished to match heaters, shall be furnished as an optional accessory for field installation of controls, or shall be used to house factory-installed controls as specified.

OPTIONAL BUILT-IN CONTROLS Thermostats, lowvoltage control relays, and disconnect switches, may be specified for factory installation in heaters. Thermostats and disconnect switches are accessible through the grille.

PEDESTALS The heater shall be convertible for use as a self-standing unit with pedestal conversion kit. Pedestals shall be painted steel or anodized aluminum. Pedestals can either be mounted on or embedded in the floor surface and wiring or conduit brought through the pedestal during installation.

*Berko reserves the right to change specifications without prior notice.



470 Beauty Spot Rd. East
Bennettsville, SC 29512 USA