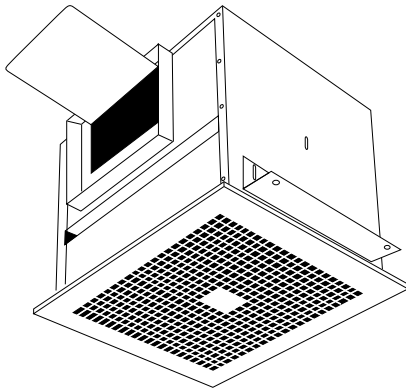


Super Q Ventilators

Models CV6, CV8, CV10, CV101, CV12



MODEL DESCRIPTION

Marley Engineered Products six models of specification-grade commercial ventilators cover ventilation requirements from the smallest baths to the largest conference rooms.

FEATURES

- Large centrifugal blowers rotate slowly to generate airflow with exceptional quietness.
- Resilient rubber mounted motors eliminate vibration.
- Chatter proof integral back draft damper.

- Heavy gauge steel housing lined with sound absorbing 1/2" acoustical insulation.
- Permanently lubricated motor for maintenance free continuous operation.
- Deluxe grille with self-adjusting springs.
- All models can be mounted for direct discharge or converted to in-line discharge. Conversion panel included with each unit.
- Blower wheels and motors are factory balanced prior to shipment.
- Adjustable mounting brackets included.

SUGGESTED SPECIFICATIONS

Ventilation fan shall be Marley Engineered Products Super Q Series. Housing shall be heavy gauge painted steel lined with 1/2" acoustical insulation and have adjustable mounting brackets. Housing should have steel pre-assembled duct fitting with built-in back draft damper. Housing shall be convertible from direct discharge to in-line discharge and shall include a conversion panel. Blower shall be removable and have centrifugal blower wheel. Motor shall be plug-in, resiliently rubber mounted and permanently lubricated. Fan grille shall be white high-impact styrene and have self-adjusting springs. Fans shall be UL approved and AMCA certified.



SUPER Q™ FAN PERFORMANCE

CATALOG NUMBER	MOTOR ¹ RPM	MOTOR VOLTAGE 60 Hz A.C.	MAX. WATTS INPUT	WEIGHT (Lbs.)	STATIC PRESSURE	FAN CAPACITY - CUBIC FEET PER MINUTE ³						
						0"	.125"	.250"	.375"	.500"	.625"	.750"
CV6 Low Speed	1050	115/1	47	14	CFM ⁴	123	101	82	-	-	-	-
					SONES ²	0.9	1.4	1.8	-	-	-	-
CV6 High Speed	1550	115/1	108	14	CFM ⁴	230	196	166	122	-	-	-
					SONES ²	3.3	3.0	3.0	3.1	-	-	-
CV8 Low Speed	1050	115/1	77	20	CFM ⁴	272	247	231	217	199	-	-
					SONES ²	2.1	2.4	2.9	3.3	3.6	-	-
CV8 High Speed	1550	115/1	130	20	CFM ⁴	426	401	377	357	341	328	304
					SONES ²	4.5	4.7	4.7	5.1	5.6	5.8	5.8
CV81	1050	115/1	77	20	CFM ⁴	310	273	239	213	182	136	73
					SONES ²	2.5	2.7	2.9	3.3	3.7	4.2	4.3
CV10 Low Speed	1050	115/1	243	30	CFM ⁴	469	441	423	403	387	367	347
					SONES ²	4.5	4.8	5.1	5.4	5.6	5.8	6.0
CV10 High Speed	1550	115/1	390	30	CFM ⁴	728	694	664	638	613	591	565
					SONES ²	8.6	8.6	8.6	8.7	8.6	8.8	8.8
CV101	1050	115/1	243	38	CFM ⁴	611	537	467	405	222	116	-
					SONES ²	3.9	3.6	3.9	4.6	5.5	6.0	-
CV12	1050	115/1	260	44	CFM ⁴	901	855	812	755	683	552	-
					SONES ²	5.8	5.9	6.3	6.5	6.5	6.0	-

(1) RPM shown is nominal and the performance is based on actual speed of test
 (2) Sones ratings in accordance with AMCA Standard 301-90

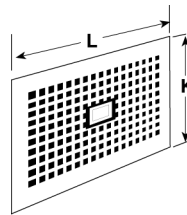
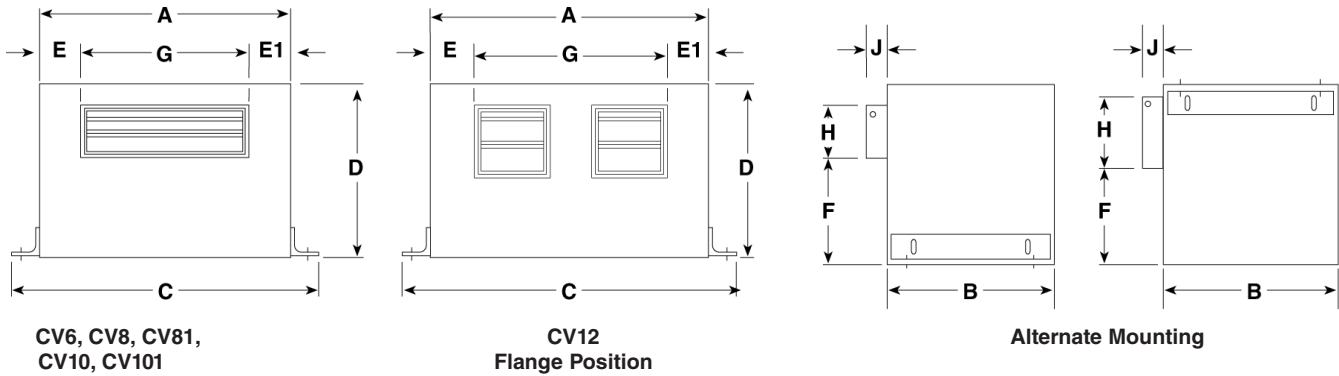
(3) The AMCA Certified Ratings Seal applies to air capacities only
 (4) Performances shown include values with inlet grill, backdraft damper and outlet duct in place

REFERENCE	QTY.	REMARKS	Project
			Location
			Architect
			Engineer
			Contractor
			Submitted By
			Date

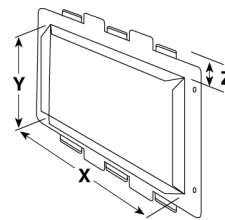
FAN DIMENSIONS

MODEL	HOUSING							OUTLET			GRILL		TDA PANEL		
	A	B	C	D	E	E1	F	G	H	J	K	L	X	Y	Z
CV6	12.25	9.125	16	9.125	1.25	1.25	5.375	10	3.25	0.75	11	13.75	10	6	1.625
CV8	13.875	11.375	17.375	11.375	1.87	4	5.25	8	6	0.75	13.25	14.875	10	8	1.563
CV81	13.875	11.375	17.375	11.375	1.875	4	5.25	8	6	0.75	13.25	14.875	10	8	1.563
CV10	18	14.125	21.5	14.125	3.625	6.375	8	8	6	0.75	15.5	19.375	14	10	2
CV101	24	14.125	27.5	14.125	1	1	8	22	6	0.75	15.5	25	20	10	2
CV12	24	14.125	27.5	14.125	1	1	8	22	6	0.75	15.5	25	20	10	2

Units are shipped with motor connected for "S" (low speed) operation.



Grill



TDA Panel



470 Beauty Spot Road East,
Bennettsville, SC 29512
For more info visit www.marleymep.com