

PRODUCT SUBMITTAL SHEET



Capacities
1500, 2000, 3000, 4000 OR 4800 WATTS
120, 208, 240 OR 277V
1Ø and 3Ø
Thermostat Range: 40° - 90° F
Air Movement: 100 CFM MAX

AWH ARCHITECTURAL SERIES FAN-FORCED WALL HEATERS

Job Name: _____

Location: _____

Architect: _____

Engineer: _____

Contractor: _____

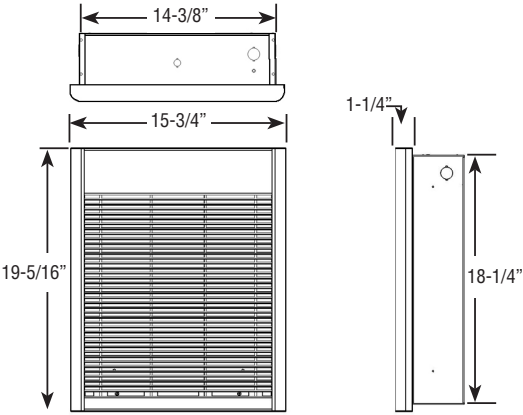
Submitted By: _____

Date: _____

Submitted By:	Date:
Approved By:	Date:

Item	QTY	Catalog Number	Tag	Watts	Volts	PH	AMPS	Weight

ACCESSORIES			
Item	QTY	Part Number	Tag



Marley
Engineered Products

470 Beauty Spot Road East
Bennettsville, South Carolina 29512
www.marleymep.com
ZSS-QAWH4 | 10-2020

INTERTEK
ETL
LISTED US

Conforms to ANSI/UL2021
and CSA C22.2, No. 46

MODELS & SPECIFICATIONS							
CATALOG NO.	UPC	VOLTS	WATTS	AMPS	PHASES	BTU/HR.	SHIP WT. (LBS.)
AWH3150F	6 85360 16186 0	120	1500	12.5	1	5118	25
AWH3180F	6 85360 16188 4	120	1800	15	1	6142	25
AWH4408F	6 85360 16210 2	208	4000/2000	19.2 / 9.6	1	13,649/6824	25
AWH4404F*	6 85360 16198 3	240	4000/2000	16.7/8.3	1	13,649/6824	25
		208	3000/1500	14.4 / 7.2		10,236/5118	
AWH4407F*	6 85360 16206 5	277	4000/2000	14.4 / 7.2	1	13,649/6824	25
		240	3000/1500	12.5/6.3		10,236/5118	
AWH4307F	6 85360 16194 5	277	3000/1500	10.8 / 5.4	1	10,236/5118	25
AWH4303F	6 85360 16402 1	347	3000	8.6	1	10,236	25
AWH4306F	6 85360 16406 9	600	3000	5	1	10,236	25
AWH4506F	6 85360 16414 4	600	4800	8	1	16,378	25
AWH4508F	6 85360 16230 0	208	4800	23.1	1	16,378	25
AWH4504F*	6 85360 16218 8	240	4800	20	1	16,378	25
		208	3600	17.3		12,284	
AWH4507F*	6 85360 16226 3	277	4800	17.3	1	16,378	25
		240	3600	15		12,284	
AWH4503F	6 85360 16410 6	347	4800	13.8	1	16,378	25
AWH44083F	6 85360 16214 0	208	4000	11.1	3	13,649	25
AWH45083F	6 85360 16222 5	208	4800	13.3	3	16,378	25
AWH44043F	6 85360 16202 7	240	4000	9.6	3	13,649	25
AWH45043F	6 85360 16234 8	240	4800	11.6	3	16,378	25

NOTE: *Factory-wired for higher wattage, field-convertible to half wattage. Standard finish is Bronze; For White, add W suffix to catalog number. Allow two weeks delivery for models with White finish.

ACCESSORIES

CATALOG NUMBER	DESCRIPTION
AWHPE	Pneumatic/Electric switch. Factory set at 10 psig to “make” on pressure drop. May be field wired to “break” on pressure drop. Pressure set point adjustable to 30 psig. (Field installed.)
AWHR2 (24 volt) AWHR12 (120 volt)	Time delay relay 40-60 seconds to close when energized. Use 120V or 24V power supply from remote source (feld installed).
AWHS1	1” deep surface mounting frame for semi-recessed installation - Bronze
AWHS2	2” deep surface mounting frame for semi-recessed installation - Bronze
AWHSM	Surface mounting frame for surface installations. Painted to match heater decor, 3 13/16” deep - Bronze
LFKSFCNW	14 gauge security front cover, White

The heating equipment shall include electric, automatic fan forced air heater suitable for large area heating, as manufactured by QMark®, A Marley Engineered Products Brand, Bennettsville, SC. The heater shall be designed for wall recess or surface mounting. Heaters shall be UL listed or equivalent (ETL).

HEATER ASSEMBLY: The heater assembly which fits into the back box shall consist of a fan panel upon which is mounted all of the operational parts of the heater.

HEATING ELEMENT: The heating element shall be of the non-glowing design consisting of a special resistance wire enclosed in a steel sheath to which steel plate fins are copper brazed. It shall be warranted for 5 years.

FAN AND MOTOR: Fan shall be five-bladed aluminum. Fan motor shall be totally enclosed.

FAN DELAY SWITCH: Fan control shall be of bi-metallic, snap-action type and shall activate fan after heating element reaches operating temperature. The fan shall continue to operate after the thermostat is satisfied and until the heating element is cool.

THERMOSTAT: The tamper-proof thermostat shall be of the bi-metallic snap-action type with enclosed contacts. It shall be completely concealed behind the front cover to become tamper proof.

THERMAL CUTOUT: A manual-reset thermal cutout shall be built into the system to shut off the heater in the event of overheating.

POWER ON/OFF SWITCH: A double-pole, single throw ON/OFF switch shall be mounted on the back box for positive disconnect of power supply. It will be completely concealed behind the front grille panel.

PNEUMATIC/ELECTRIC SWITCH: An optional pneumatic/electric switch shall be available for use with energy management systems employing pneumatic pressure devices for controlling comfort levels and set-back operations.

LOW VOLTAGE RELAYS: 24-volt and 120 volt low voltage relays shall be available as optional equipment to control 208, 240 or 277 volt heaters in conjunction with central energy control systems. The built-in thermostat can then be used as one of the thermostats in an automatic night set back operation.

BACK BOX: The back box shall be designed for duty as a recessed rough-in box in either masonry or frame installations, and is also used with the surface mounting frame in surface mounting installations. The back box shall be 20-gauge galvanized steel and shall contain knockouts through which power leads are brought.

FRONT PANEL: The front panel shall be of the bar grille type and shall be constructed of 16-gauge cold-rolled steel, welded into a uniform grille to direct the warmed air toward the floor. The front grille shall be surrounded by a decorative satin-finish aluminum “picture” frame.

THREE PIECE DESIGN: The heater shall be made up of a back box, a heater assembly and a front panel.

*QMark reserves the right to change specifications without prior notice.