



High Velocity Series 1-1/2 Hp Air Curtain

| | | | |
|-----------------|------------------|-------------------|--------------------|
| <u>PROJECT</u> | <u>ENGINEER</u> | <u>CONTRACTOR</u> | <u>SHEET OF</u> |
| <u>LOCATION</u> | <u>ARCHITECT</u> | <u>DATE</u> | <u>DRAWING NO.</u> |

| MARK | QTY. | WIDTH | HEIGHT | MODEL NUMBER | MAX. VEL. (FPM) | AVG. VEL. (FPM) | AVG AIRFLOW (CFM) | NO. OF MOTORS | AMPS | WT. LBS | REMARKS |
|------|------|-------|--------|--------------|-----------------|-----------------|-------------------|---------------|------|---------|---------|
| | | | | | | | | | | | |
| | | | | | | | | | | | |
| | | | | | | | | | | | |
| | | | | | | | | | | | |
| | | | | | | | | | | | |
| | | | | | | | | | | | |
| | | | | | | | | | | | |
| | | | | | | | | | | | |
| | | | | | | | | | | | |
| | | | | | | | | | | | |

SPECIFICATIONS:

General: Air curtain unit shall be Leading Edge brand High Velocity Series 1½HP Models.

Cabinet: Unit shall be all-metal, corrosion resistant, galvanized steel housing. The maximum effective width per motor blower assembly shall be no more than 60” and all cabinets shall have structural sidewall supports a maximum 60” apart. Units to have full-length discharge and flush louvers with 1-inch directional vanes for for maximum 40° sweep for optimum airflow adjustment. Cabinet grill shall allow for no tools access to motor/blower assembly and shall be constructed of expanded metal to allow for maximum airflow. Electrical junction box shall be mounted on lower right hand side of unit unless otherwise specified.

Motor: Motors shall be heavy duty, 1½HP, totally enclosed, permanent split capacitor with double extended shafts. Each motor shall be resilient mounted and furnished with an automatically resetting Texas Instruments thermal overload and permanently lubricated rubber-sealed ball bearings. All motors shall be single speed. Internal motor power cord shall feature quick-disconnect plugs for easy removal of blower base assembly for cleaning and maintenance.

Fan Assembly: Blower scrolls shall be all metal, corrosion-resistant, galvanized steel. Blower wheels shall be stainless steel, directly driven, double-inlet squirrel cage design. The maxi-

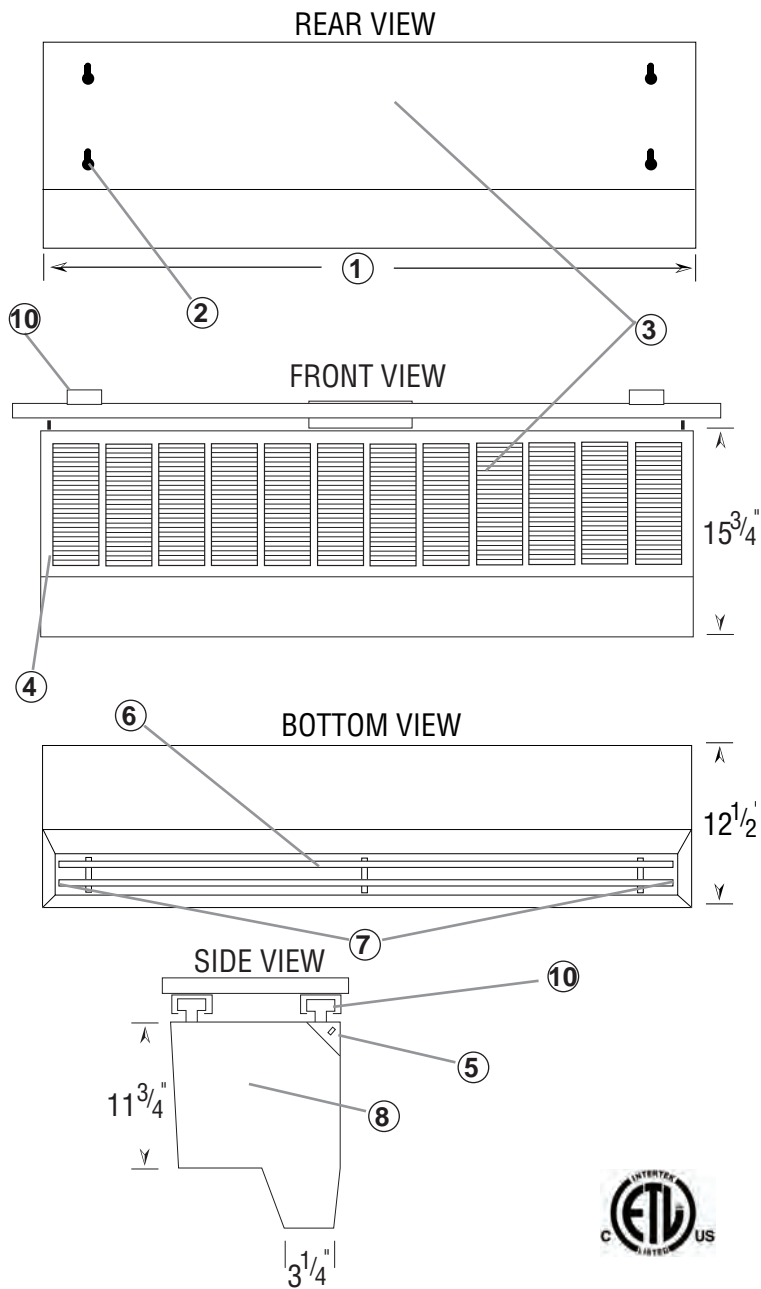
imum effective width of any given motor/blower assembly shall not exceed 60 inches.

Mounting: Each unit shall be constructed with keyholes on the rear of the unit for flush wall mounting and supplied with mounting template and an eight-page Operating Instructions and Parts Manual.

Complete Unit: Air Curtain unit shall be ETL-listed

Optional Accessories:


- Instant On/Off Accessories:*
 - Automatic Door Switches- for instant activation upon door opening.
 - Control Panel- for three phase air curtains requiring Automatic Door Switches.
- Mounting Hardware:*
 - Medium duty Wall Bracket- for mounting of unit up to 12 inches from wall.
 - Heavy duty Wall Bracket- for mounting over roll-up doors.
 - Smart-Trac II Adjustable Mounting System- for suspension mount installations.
- Tamper-Resistant Kit:* prevents unauthorized access to air curtain motor/blower assembly.



NOTES:

- ① Refer to individual model number for unit width.
- ② Keyholes for mounting unit flush to wall accepts 3/8" bolts. Four keyholes are provided per motor. Mounting template is provided with every unit for ease in installation. Mounting hardware and support structure to local code by others.
- ③ All metal, corrosion-resistant, galvanized steel housing and intake grill, with electrostatically applied epoxy finish over powder primer.
- ④ Intake grill knurl nuts allow for no tool access to motor/blower assembly for inspection and cleaning.
- ⑤ Air curtain electrical junction box located on standard right hand side, unless otherwise noted, for field wiring.
- ⑥ Full-length air directional vanes are 1" deep for maximum 40° air directional sweep. Unit should be mounted such that the 40° sweep of air stream is unobstructed.
- ⑦ Discharge nozzle extends full width for maximum area coverage and efficiency.
- ⑧ Complete air curtain unit is UL- or ETL-listed
- ⑨ All dimensions should be field verified.
- ⑩ Optional Smart-Trac II Mounting System

| | |
|-----------------|----------------------|
| PROJECT _____ | CONTRACTOR _____ |
| LOCATION _____ | DATE _____ |
| ENGINEER _____ | SHEET _____ OF _____ |
| ARCHITECT _____ | DRAWING NUMBER _____ |



LEADING EDGE®
A Marley Engineered Products Brand

470 Beauty Spot Road E • Bennettsville, SC 29512 • Phone: (843)479-4006
Fax: (843) 479-8912 • Toll Free 800-452-4179



1 1/2 HP HIGH VELOCITY SERIES MODELS