

ARCHITECTURAL FAN FORCED WALL HEATERS

SRA SERIES



CONTEMPORARY DESIGN

- Bar-stock Grille designed to provide optimized airflow

TAMPER RESISTANCE

- Closely spaced louvers discourage insertion of foreign objects
- Tamper-proof thermostat with the range of 40° - 90°F, adjustable with a narrow blade screw driver through the louvers

UNIFORM DISTRIBUTION OF WARMTH

- Built-in fan delay switch energizes fan motor only after elements are heated, which prevents discharge of unheated air

SAFETY STANDARDS COMPLIANT

- Safety listed by Intertek (ETL) for use in the USA and Canada complying with ANSI/UL2021 and CSA 22.2, NO. 46 Safety Standards.
- Manual reset thermal overheat protector disconnects power in the event of overheating due to accidental blockage
- Backup end of life thermal fuse for additional safety

DURABLE AND EASY MAINTENANCE

- All units have permanently lubricated totally enclosed fan motor, with rugged aluminum blade which creates long life and low maintenance, gently distributes warmth throughout the area

APPLICATIONS:

Commercial Buildings

Entryways

Hotels

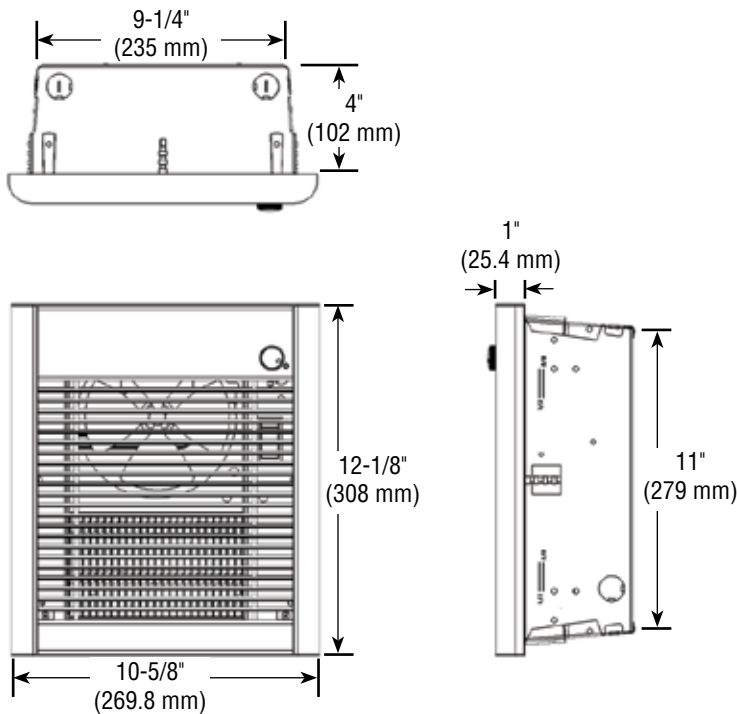
Offices

Restaurants

Stores

CATALOG NUMBER	VOLTS	AMPS	WATTS	BTU/HR.	WIRE SIZE
SRA1012DSAF	120	8.4	1000	3413	14 AWG
		4.2	500	1706	
SRA1512DSAF	120	12.5	1500	5120	12 AWG
		6.25	750	2560	
SRA1812DSAF	120	15	1800	6143	12 AWG
SRA2024DSAF	240	8.4	2000	6826	14 AWG
		4.2	1000	3413	
	208	7.3	1500	5120	
		3.61	750	2560	
SRA2027DSAF	277	7.3	2000	6826	14 AWG
		3.61	1000	3413	
	240	6.25	1500	5120	
		3.2	750	2560	
SRA1527DSAF	277	5.5	1500	5120	14 AWG
		2.75	750	2560	
	240	4.7	1125	3840	
		2.35	562	1920	
SRA2020DSAF	208	9.6	2000	6826	14 AWG
		4.8	1000	3413	
CATALOG NUMBER	DESCRIPTION				
SRASMAG	Surface Mounting Frame (Accessory). Order separately. 12-1/2"H x 10-3/8"W x 4"D, northern white				
SRAS1AG	1" Semi-recess Mounting Frame, 12-1/2"H x 10-3/8"W x 1"D, northern white				
SRAS2AG	2" Semi-recess Mounting Frame, 12-1/2"H x 10-3/8"W x 2"D, northern white				
SRAFCTPF	Tamper proof front cover, northern white				

DIMENSIONS



MOUNTING LIMITATIONS

1. Do not install heater closer than 4" from floor.
2. Do not install heater behind towel rack, behind door, in floor, in ceiling, in closet, or where air flow may be obstructed.
3. Requires 3 wires if remote thermostat is desired.



Conforms to ANSI/UL2021 and CSA C22.2, No. 46