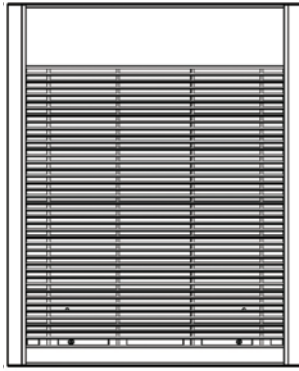




470 Beauty Spot Rd. E
Bennettsville, SC 29512



SUBMITTAL SHEET
AWH SERIES
ARCHITECTURAL HEAVY-DUTY WALL HEATER

CAPACITIES
1500-4800 Watts 120, 208, 240, 277, 347, or 600V 1Ø and 3Ø Thermostat Range: 40° - 90° F Air Movement: 100 CFM

See Selection Chart for all Options

AWH SERIES - ARCHITECTURAL HEAVY-DUTY WALL HEATER

JOB NAME: _____

LOCATION: _____

ARCHITECT: _____

ENGINEER: _____

CONTRACTOR: _____

SUBMITTED BY: _____ DATE: _____

TAG/ITEM	QTY.	CATALOG NUMBER	HEATER			AMPS	WEIGHT
			KW	VOLTS	Ø		

ACCESSORIES AND CONTROLS	TAG/ITEM	QTY.	CATALOG NUMBER	DESCRIPTION

SUBMITTED BY:	DATE

APPROVED BY:	DATE

AWH SERIES ARCHITECT'S AND ENGINEER'S SPECIFICATIONS*

The heating equipment shall include electric, automatic fan forced air heater suitable for large area heating, as manufactured by QMark®, A Marley Engineered Products® Brand, Bennettsville, SC. The heater shall be designed for wall recess or surface mounting. Heaters shall be cULus or equivalent cETLus.

HEATER ASSEMBLY: The heater assembly which fits into the back box shall consist of a fan panel upon which is mounted all of the operational parts of the heater.

HEATING ELEMENT: The heating element shall be of the non-glowing design consisting of a special resistance wire enclosed in a steel sheath to which steel plate fins are copper brazed. It shall be warranted for 5 years.

FAN AND MOTOR: Fan shall be five-bladed aluminum. Fan motor shall be totally enclosed.

FAN DELAY SWITCH: Fan control shall be of bi-metallic, snap-action type and shall activate fan after heating element reaches operating temperature. The fan shall continue to operate after the thermostat is satisfied and until the heating element is cool.

THERMOSTAT: The tamper-proof thermostat shall be of the bi-metallic snap-action type with enclosed contacts. It shall be completely concealed behind the front cover to become tamper proof.

THERMAL CUTOUT: A manual-reset thermal cutout shall be built into the system to shut off the heater in the event of overheating.

POWER ON/OFF SWITCH: A double-pole, single throw ON/OFF switch shall be mounted on the back box for positive disconnect of power supply. It will be completely concealed behind the front grille panel.

PNEUMATIC/ELECTRIC SWITCH: An optional pneumatic/electric switch shall be available for use with energy management systems employing pneumatic pressure devices for controlling comfort levels and set-back operations.

LOW VOLTAGE RELAYS: 24-volt and 120 volt low voltage relays shall be available as optional equipment to control 208, 240 or 277 volt heaters in conjunction with central energy control systems. The built-in thermostat can then be used as one of the thermostats in an automatic night set back operation.

BACK BOX: The back box shall be designed for duty as a recessed rough-in box in either masonry or frame installations, and is also used with the surface mounting frame in surface mounting installations. The back box shall be 20-gauge galvanized steel and shall contain knockouts through which power leads are brought.

FRONT PANEL: The front panel shall be of the bar grille type and shall be constructed of 18-gauge cold-rolled steel, welded into a uniform grille to direct the warmed air toward the floor. The front grille shall be surrounded by a decorative satin-finish aluminum "picture" frame.

THREE PIECE DESIGN: The heater shall be made up of a back box, a heater assembly and a front panel.

*QMark reserves the right to change specifications without prior notice.

Models & Specifications:

ITEM INFORMATION		ELECTRICAL DATA					
CATALOG NO.	UPC	VOLTS	PHASE	WATTS	AMPS	BTU/HR.	SHIP WT.
AWH3150F	685360161860	120	1	1500	12.5	5,118	25 lbs
AWH4307F	685360161945	277	1	3000/1500	10.8/5.4	10,236/5,118	25 lbs
AWH4404F*	685360161983	240	1	4000/2000	16.7/8.3	13,649/6,824	25 lbs
		208	1	3000/1500	14.4/7.2	10,236/5,118	25 lbs
AWH4407F*	685360162065	277	1	4000/2000	14.4/7.2	13,649/6,824	25 lbs
		240	1	3000/1500	12.5/6.3	10,236/5,118	25 lbs
AWH4408F	685360162102	208	1	4000/2000	19.2/9.6	13,649/6,824	25 lbs
		240	1	4800	20	16,378	25 lbs
AWH4504F*	685360162188	208	1	3600	17.3	12,284	25 lbs
		277	1	4800	17.3	16,378	25 lbs
AWH4507F*	685360162263	240	1	3600	15	12,284	25 lbs
		208	1	4800	23.1	16,378	25 lbs
AWH3180F	685360161884	120	1	1800	15	6,142	25 lbs
AWH44043F	685360162027	240	3	4000	9.6	13,649	25 lbs
AWH44083F	685360162140	208	3	4000	11.1	13,649	25 lbs
AWH45043F	685360162348	240	3	4800	11.6	16,378	25 lbs
AWH45083F	685360162225	208	3	4800	13.3	16,378	25 lbs
AWH4303F	685360164021	347	1	3000	8.6	10,236	25 lbs
AWH4503F	685360164106	347	1	4800	13.8	16,378	25 lbs
AWH4306F	685360164069	600	1	3000	5	10,236	25 lbs
AWH4506F	685360164144	600	1	4800	8	16,378	25 lbs

NOTE: Factory-wired for higher wattage, field-convertible to half wattage. Units not available to be wired with remote thermostats. Standard finish is Bronze; For White, add NW suffix to catalog number.

Optional Accessories:

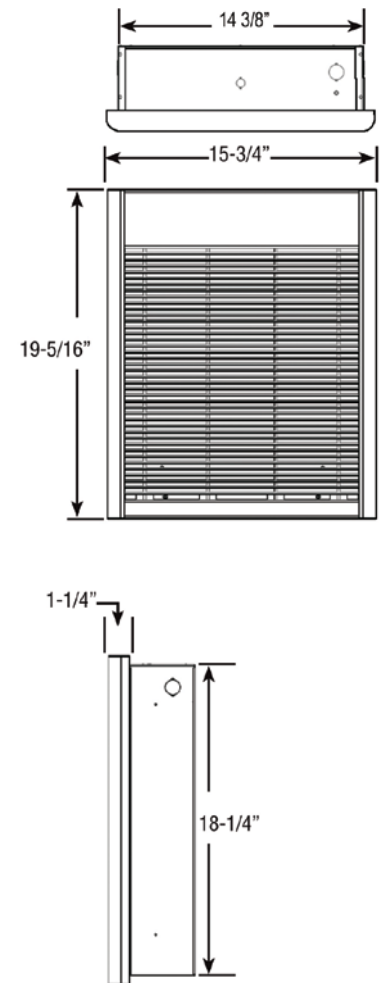
CATALOG NO.	UPC	DESCRIPTION	SHIP WT.*
AWHPE*	685360007212	Pneumatic/Electric switch. Factory set at 10 psig to "make" on pressure drop. May be field wired to "break" on pressure drop. Pressure set point adjustable to 30 psig. (field-installed)	2 lbs
AWHR2 (24V)*	685360007236	Time delay relay 40-60 seconds to close when energized. Use 120V or 24V power supply from remote source (field-installed)	2 lbs
AWHR12 (120V)*	685360007229		
AWHS1	685360007267	1 in. deep surface mounting frame for semi-recessed installation, Bronze	2 lbs
AWHS2	685360007281	2 in. deep surface mounting frame for semi-recessed installation, Bronze	2 lbs
AWHSM	685360007243	Surface mounting frame for surface installations. Painted to match heater decor, 3 1/8 in. deep, Bronze	5 lbs
LFKSFCNW	685360160795	14-gauge security front cover, White	6 lbs

Note: *Will accommodate pneumatic/electric or low-voltage controls commonly used with computerized energy management systems Mounting Limitations: For wall mounting, do not install back box closer than 8 in. from floor or adjacent wall. Do not install heater behind towel rack, behind door, in floor, in closet, in ceiling or where air flow may be obstructed. All controls are concealed behind the front cover making them essentially tamper proof.

No matter the industry or application, Marley Engineered Products has a robust portfolio of innovative, reliable, high-performance comfort heating and ventilation solutions for all your heating needs.

For more information or assistance on your next project, contact Technical Services at 800-642-4328

Dimensions and Clearances:



Scan the QR code to access additional specs and features



Approvals: _____