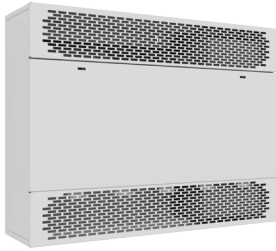


PRODUCT SUBMITTAL SHEET



Capacities
2 - 32 KW 208, 240, 277, 347, 380, 480 or 600V 1 or 3 Phase Thermostat Range: 40° - 90° F Air Movement: 1000 CFM MAX

CU SERIES CABINET UNIT HEATERS



Job Name: _____

Location: _____

Architect: _____

Engineer: _____

Contractor: _____

Submitted By: _____

Date: _____

Submitted By:		Date:	
Approved By:		Date:	

Item	QTY	Catalog Number	Tag	Watts	Volts	PH	AMPS	Weight

ACCESSORIES			
Item	QTY	Part Number	Tag

Custom Cabinet Unit Heaters: Custom Models and Specifications

SERIES	KW	BTU/HR	FINAL AIR TEMP	CFM*	208 1 PH 60 HZ	208 3 PH 60 HZ	240 1 PH 60 HZ	240 3 PH 60 HZ	277 1 PH 60 HZ	480 3 PH 60 HZ
CU935 35 in. (L) 120 LBS.	2	6,826	85	250	10	6	9	6	8	3
	3	10,239	98		15	9	13	8	12	4
	4	13,652	111		20	12	17	10	15	6
	5	17,065	123		25	15	22	13	19	7
	6	20,478	136		30	17	26	15	22	8
	7	23,891	148		34	20	30	18	26	9
	8	27,304	161		39	23	34	20	30	10
CU945 45 in. (L) 160 LBS.	4	13,652	85	500	20	12	18	11	16	6
	6	27,478	98		30	18	26	16	23	8
	8	27,304	111		40	23	34	20	30	11
	10	34,130	123		48	29	43	25	37	13
	12	40,956	136		59	34	51	30	44	16
	14	47,782	148		68	40	59	35	52	18
	16	54,608	161		78	46	68	40	59	20
CU968 68 in. (L) 260 LBS.	15	51,195	123	750	74	44	64	38	56	20
	21	71,673	148		-	60	89	52	78	27
	24	81,912	161		-	69	-	60	-	31
CU978 78 in. (L) 300 LBS.	20	68,260	123	1,000	-	58	86	50	74	26
	24	81,912	136		-	69	-	60	-	31
	28	95,564	148		-	80	-	70	-	36
	32	109,216	161		-	91	-	79	-	41

NOTE: **RED** numbers represent circuit breakers or fused disconnect required.*Based on 60°F inlet air temperature. *Values shown is high speed.

OPTIONAL ACCESSORIES (Factory Installed)

DESCRIPTION	FUNCTION
REMOTE MOUNTED SINGLE STAGE THERMOSTAT	Remote mounted single stage wall thermostat replaces standard built-in thermostat.
2 STAGE THERMOSTAT (Built-or Remote)	Built-in (or remote mounted) two stage thermostat that the elements for 2/3 heat for stage one and full heat for second stage. Fan cycles on high speed only.
SMARTSERIES® PLUS (Built-in or Remote)	Built-in (or remote mounted) two stage thermostat runs 2/3 elements on stage 1 and full heat for stage 2. Fan cycles on high speed only. Comes with BACnet BMS compatibility, scheduling, cooling mode(Fan-Only), and keypad lock.
DEAD FRONT DISCONNECT SWITCH	A three pole non-fused disconnect switch disconnects power to the heater. Design prevents entry into the control compartment until disconnect switch is turned to the OFF position.
DEAD FRONT FUSED DISCONNECT SWITCH	A three pole non-fused disconnect switch and circuit breaker(s) sized to the heater with load protection which disconnects power to the unit. Design prevents entry into the control compartment until disconnect switch is turned to the OFF position.
ON-OFF SWITCH	Built-in switch provides continuous fan operation with or without heat, or automatic fan cycling as the heat cycles on and off.
KEY LOCK for FRONT COVER	Two (2) toolhead key lock style spring latches prevent unauthorized adjustment of controls and provide additional safety from injury due to contact with internal components.
INLET or DISCHARGE DUCT COLLAR(S) (ea.)	Collars provide easy connection of field supplied duct work. We do not recommend exceeding 0.2" wg external static pressure. Heater with duct collars are with a single speed high static motor.
LOUVER GRILLES	Standard - Standard Architectural Grille. Optional - Retrofit option to match the old louver design of the cabinet unit heater. This option is only available for both inlet and discharge openings ordered at the same time. Can not be ordered separately.

OPTIONAL ACCESSORIES (Field Installed)

Recess Trim Kit	Provides a neat finish to semi-recessed or full recessed applications.
Base Kit	16 gauge, muted black base is recessed from the heater front and sides to provide an attractive and practical floor mounting application.

HOW TO ORDER

HOW TO ORDER

CUH 9 35 10 24 1 F F 1B 0 0 S 0 P K P - B B B

Catalog Prefix:
CU = QMark
CUH = Berko

Series

Catalog Prefix: 35 = 35", 45 = 45", 68 = 68", 78 = 78"

KW: 02, 03, 04, 05, 06, 07, 08, 09, 10, 11, 12, 14, 15, 16, 18, 20, 21, 24, 28, 32

Voltage: 20 = 208V, 24 = 240V, 27 = 277V, 48 = 480V* *3-Phase Only

Phase: 1=1Ø, 3=3Ø

Inlet Configuration: F=Front, B=Bottom

Outlet Configuration: F=Front, T=Top

Thermostat: 1B (Single Stage Built In), 1R (Single Stage Remote Wall Mount), 2B (Two Stage Built In), 2R (Two Stage Remote Wall Mount), SB (SmartSeries Plus Built In), SR (SmartSeries Plus Remote)

Internal Control Voltage: 2 (24VAC), 1 (120VAC)

Discharge Grille Finish**

Inlet Grille Finish**

Cabinet Finish**

Duct Collar/Grille: 0=Standard Architectural Inlet / Standard Architectural Discharge, I=Duct Inlet / Standard Architectural Discharge, D=Standard Architectural Inlet / Duct Discharge, B=Duct Inlet / Duct Discharge, A=Louver Grille Inlet/ Louver Grille Discharge

Front Cover Lock: 0=Std. Lock, K=Key Lock

Intake Filter: 0=Std. Throw-Away, P=Opt. Washable

On-Off Switch: S (Heat On/Off Switch), 0 (None), 0 (N/A-SmartSeries Controls)

Disconnect Switch: 0=Std. None, S=Opt. Disc. Sw., F=Opt. Fused (Circuit Breaker) Disc. Sw.

Circuit Breaker Options: C (Circuit Breaker), 0 (None)

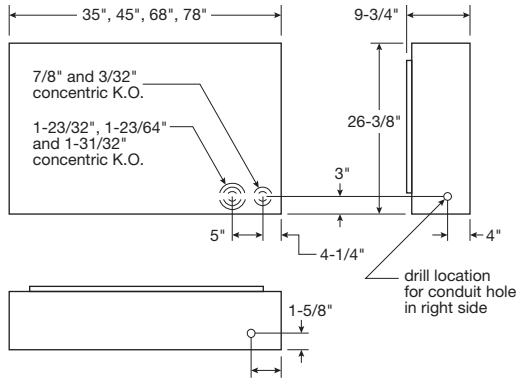
**Finish Options

W (White), N (Beige), A (Aluminum), S (Bronze), B (Black), U (Special Color Request)

FEATURES

- ▶ Attractive cabinet enclosure blends into the decorative schemes of commercial areas.
- ▶ Ceiling, floor or wall mounted.
- ▶ Surface, full recess or semi-recess mounted.
- ▶ Heavy duty cold-rolled steel construction.
- ▶ Nineteen capacities - 2Kw to 32Kw; five cabinet styles - 35", 45", 68" and 78" lengths (26-3/8" height x 9-3/4" deep).
- ▶ 1/8 hp, PSC, motors are two-speed (1550/1450 rpm).
- ▶ Resilient mounted motors with automatic thermal overload protection.
- ▶ Steel plate fin elements are copper brazed to low watt density, steel-sheathed tubular heating elements. (80/20 NiCh resistance wire). Element is finished with aluminized paint for corrosion resistance. Fins and elements are arranged in a uniform grid pattern and fit closely into the discharge area to assure that all outgoing air passes through the heating element.
- ▶ Thermal safety cutout - installed in direct contact with the heating element. Automatically shut off and protect the heater in the event of overheating. Automatic thermal limit reactivates the heater when operating temperature returns to normal. Manual reset limit requires unit to be powered down and inspected before operation can resume.
- ▶ Heaters over 48 amps have sub-divided (circuit breaker protected) circuits.
- ▶ Circuit breakers are available as an option on heaters of less than 48 amps.
- ▶ Built-in thermostat - single pole, snap-action thermostat with remote bulb sensor located directly in the air intake. (Optional - built-in two stage thermostat available). Easy and low cost field installation of a completely packaged heater.
- ▶ 24 volt control system - all internal controls, including the thermostat, are operated from a built-in prewired transformer with a 24 volt secondary. (Optional - 120 volt built-in control available.)
- ▶ Heaters have a tamper-resistant, two position selector switch to select full heat at high fan speed and reduced heat at low fan speed.
- ▶ Automatic fan delay eliminates cold drafts on start-up and discharges residual heat from the heater body during shut down.
- ▶ Silent relays, instead of conventional contactors, eliminate the noise of contactor opening and closing..
- ▶ Optional - inlet and discharge duct collars - UL listed - provide easy field connection to field supplied duct work. We do not recommend exceeding 0.15" wg external static pressure.
- ▶ Each heater is supplied with a throw-away air filter mounted in the inlet air stream. Optional permanent (washable) aluminum filters are available.
- ▶ A front cover interlock is a standard safety feature that de-energizes the heater when the front cover is removed.
- ▶ Optional - dead front disconnect switch or fused dead front disconnect switch, disconnects power to the heater. Control panel access door can not be opened until power is turned off.
- ▶ Optional - built-in on - off switch allows the heater to be de-energized when not in use.
- ▶ An optional trim kit is available for a neat finish to semi-recessed or full recessed applications.
- ▶ A optional kick plate in muted black, which is recessed from the heater front and sides by one inch, makes an attractive and practical off-the-floor installation.
- ▶ Optional - inlet and/or discharge duct collars.

DIMENSIONS



CLEARANCE

Heater Wall Mounted

Front Discharge, No obstruction within 24" of discharge.
Top Discharge, No obstruction within 24" of discharge.

Front Intake, Zero or greater to base of heater.
Bottom Intake, No obstruction within 24" of discharge.

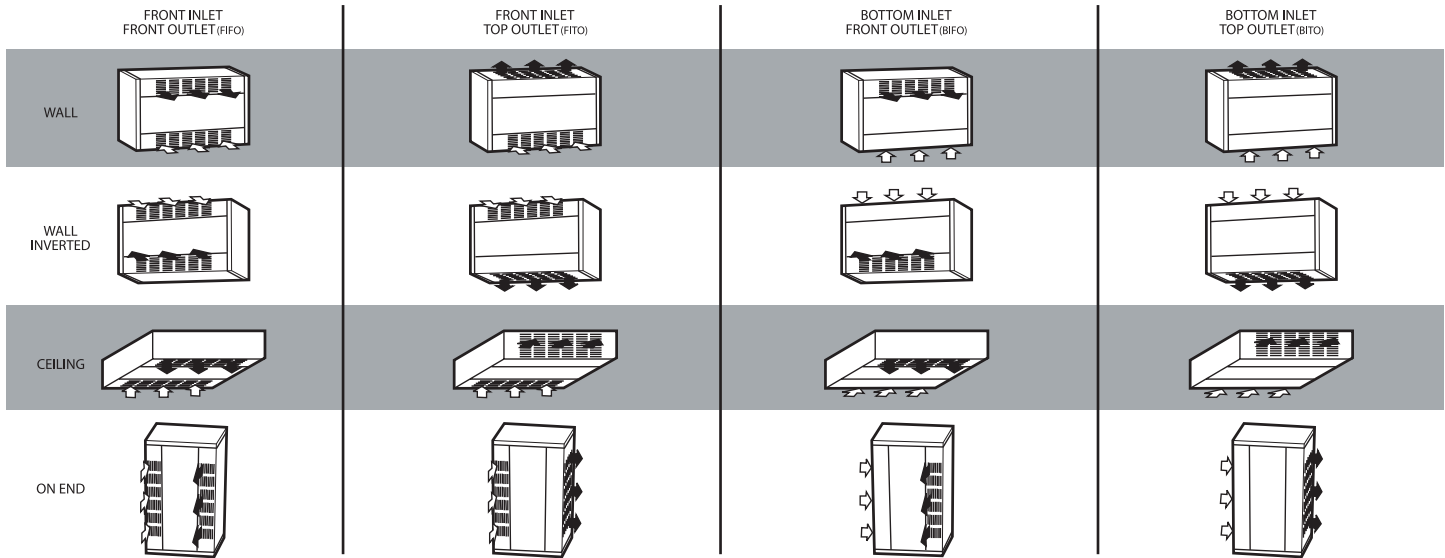
Heater Ceiling Mounted

Front Discharge, No obstruction within 24" of discharge.
Top Discharge, No obstruction within 24" of discharge.

Front Intake, Zero or greater to base of heater.
Bottom Intake, No obstruction within 24" of discharge.

Minimum 2" to side wall.

AIR FLOW



ARCHITECT'S AND ENGINEER'S SPECIFICATIONS

The electric cabinet unit heaters shall be as manufactured by QMark®, a Marley Engineered Products Brand. Heaters shall be UL/cUL Listed, designed for mounting in any position, including on-end, fully recessed, semi-recessed or surface mounted. All capacities, voltages, physical sizes should be as specified in the heater schedule. All three phase heaters shall have a balanced heating load. Control voltage is to be internally generated by 24 VAC (Optional 120 VAC).

CABINET - The cabinet shall be of heavy duty cold-rolled steel. The heater front covers shall be securely attached to the cabinet with a maximum of two slotted head style spring latches (optional Toolhead Key Lock) and easily removable for access to elements, filters and control panel. Cabinet shall be finished in Beige (Optional - Color by Architect) polyester powder coated.

HEATING ELEMENTS - The heating elements shall be warranted for five years and shall be of non-glowing design consisting of 80/20 NiChi resistance wire enclosed in a steel sheath to which steel plate fins are brazed. The heating element shall be located directly in front of the blower discharge air for uniform heating.

SAFETY THERMAL CUTOUTS - Thermal safety cutouts shall be built into the system to automatically shut off heater in event of overheating due to any cause. The safety cutouts shall directly interrupt power to the elements and not depend on relays to interrupt the power. Backup manual reset thermal safety cutout in the control circuit shall prevent heater reenergizing until cause of overheating has been cleared by a qualified service technician.

MOTOR AND BLOWER ASSEMBLY - The motor(s) and blower(s) shall be direct drive and resiliently mounted on a rigid heavy duty frame for quiet operation and long life. The motor(s) shall be two speed 1/8 H.P. with automatic reset

overload protection. The motor shall be vented and mounted in the air stream to provide maximum cooling of the motor(s). Motor(s) fuse protection shall be provided to meet UL, cUL and NEC requirements. The blower(s) shall be forward curved, double inlet, centrifugal type with discharge directly on the full length of the elements to provide uniform discharge air temperatures.

AIR FILTERS - The filter shall be located ahead of the motor and blower assembly to ensure clean air circulation. The filter shall filter both the returning room or the outside air if the optional outside air damper assembly is provided. Filter shall be easily removed for changing or cleaning by removing the front panel and pulling on the filter. A disposable filter is standard and a permanent washable filter is optional.

FRONT COVER INTERLOCK - Heater shall be provided with an electrical interlock to shut down the heater when the front cover is opened to provide safety to the maintenance personnel during filter cleaning (replacement) or other maintenance.

FAN DELAY CONTROL - Fan control shall delay start up of the fan motor(s) until the heating elements have warmed up. It shall maintain motor operation after heating elements have been de-energized to dissipate residual heat.

TEMPERATURE CONTROL - Thermostat shall be built-in, snap-action single stage with remote bulb sensor located in the return air stream. (Optional - built-in two stage remote bulb snap action thermostat, remote mounted single stage wall thermostat, remote mounted two stage wall Smart Series Plus digital thermostat) Terminals shall be provided in the control panel for direct connection of the remote wall mounted thermostats. Silent time delay relays shall be provided, rather than contactors, to eliminate the noise of contactor opening and closing.

TERMINALS FOR REMOTE INTERLOCK - Terminals shall be provided in the control panel for connection to Building Automation or Energy Management Systems.

HEAT SELECTION/FAN SPEED - Two fan speeds and high-low heat ranges shall be selectable by means of a single rocker switch located behind the front cover.

CIRCUIT BREAKERS - Circuit breakers shall be provided for branch circuit protection where required by UL, cUL and NEC (Optional - Circuit breakers shall be supplied on all heaters).

INTERCHANGEABLE INTAKE AND DISCHARGE LOUVERS - Heater shall be provided with intake louver that can be changed from front to bottom by removing a maximum of two screws. Discharge louvers shall be able to be changed from front to top by removing a maximum of two screws.

The Following Factory Installed/Prewired Optional Equipment Shall Be Supplied -

- Manual Reset Thermal Cutout
- Manual Reset Thermal Cutout
- Circuit Breakers
- Dead Front Disconnect Switch
- Dead Front Fused (Non Fused On-Off Switch Disconnect Switch & Circuit Breaker) Disconnect Switch
- On-Off Switch
- Inlet/Discharge Duct Collars
- Permanent (Washable) Filter

The Following Field Installed Optional Equipment Shall Be Supplied:

- Recess Trim Kit
- Base Kit