

DBA & SHA SERIES

ARCHITECTURAL SILL-HEIGHT CONVECTOR

MADE TO ORDER



IDEAL SPACES

Residential (DBA):

- Living Rooms
- Bedrooms
- Other similar areas with floor to ceiling windows

Institutional and Commercial (SHA or DBA):

- Offices
- Hallways
- Lobbies
- Condos
- Conference Rooms
- Retail Spaces
- Other Similar Areas

COLORS

- Beige
- Charcoal Gray
- White
- Aluminum
- Bronze
- Black
- Custom Colors
- Anodized Finishes Available

DIMENSIONS

- DBA: 6"H x 3-5/8"D (length varies)
- SHA: 7"H x 5-5/8"D (length varies)



- DBA Series is approved for residential applications
- Patented "Stair-Step" SHA heating element design accommodates a multitude of applications and heating needs (see diagram on next page)
- Unique two-piece extruded aluminum "Snap-Lock" closure design secures the one-piece top and front grilles to the one-piece back and bottom providing a rapid, secure fit all along the length of the unit
- Front/bottom inlet air grille utilizes slots which create an attractive installation where inlet grille is visible
- Blend into any décor with custom paint and anodizing upon request
- Units can be mounted on floor, wall, or pedestals
- Customize space with wall-to-wall installation, or as discrete units in standard lengths of 28 in. to 10 ft.
- Units are available in a wide range of heating capacities per foot length (see specifications)
- Architectural-style end sections give a finished look when used as a stand-alone or where a wall-to-wall run is not desired
- Inside and outside corners can be ordered factory-cut and mitered to fit difficult or unusual spaces
- Right -or left-hand entry and built-in wire way (equivalent to 3/4 in. conduit) with factory-installed wiring
- Full line of trim accessories, including matching blank sections, end caps, filler sections, inside and outside corners, diagonal end sections, and splice plates
- Optional built-in controls include: line-voltage thermostat; two-stage thermostat; on/off switch; transformer relay; power relay and pneumatic/switch
- Easy connection of supply wiring from bottom, rear or end, as well as multiple wiring of adjacent heaters from one entry point
- Thermal limit switch with linear type (full length) sensing bulb provides constant protection against overheating from any cause
- Switch will automatically reset when normal operating temperatures are restored
- Discharge air openings in top grille are punched slots which are pencil-proof for safety

www.qmarkmep.com

For Technical Services, Call 800-642-4328

ITEM# QFLY_DBASHA_1217-1



DBA & SHA SERIES

ARCHITECTURAL SILL-HEIGHT CONVECTOR

| MODELS & SPECIFICATIONS / DBA SERIES | | | | | | | | | | |
|--------------------------------------|-------------|---------------|-------------|------|------|------|------|------|------|----------------|
| CATALOG NO. | LENGTH (FT) | WATTS PER FT. | TOTAL WATTS | 120V | 208V | 240V | 277V | 347V | 600V | SHIP WT. (LBS) |
| DBA02 | 2.3 | 100 | 200 | 1.7 | 1.0 | 0.8 | - | - | - | 8 |
| | | 125 | 250 | 2.1 | 1.2 | 1.0 | 0.9 | - | - | |
| | | 150 | 300 | 2.5 | 1.4 | 1.3 | 1.1 | - | - | |
| | | 188 | 376 | 3.1 | 1.8 | 1.6 | 1.4 | - | - | |
| | | 250 | 500 | 4.2 | 2.4 | 2.1 | 1.8 | 1.4 | - | |
| DBA03 | 3 | 100 | 300 | 2.5 | 1.4 | 1.3 | 1.1 | - | - | 10 |
| | | 125 | 375 | 3.1 | 1.8 | 1.6 | 1.4 | 1.1 | - | |
| | | 150 | 450 | 3.8 | 2.2 | 1.9 | 1.6 | 1.3 | - | |
| | | 188 | 564 | 4.7 | 2.7 | 2.4 | 2.0 | 1.6 | - | |
| | | 250 | 750 | 6.3 | 3.6 | 3.1 | 2.7 | 2.2 | - | |
| DBA04 | 4 | 100 | 400 | 3.3 | 1.9 | 1.7 | 1.4 | 1.2 | - | 13 |
| | | 125 | 500 | 4.2 | 2.4 | 2.1 | 1.8 | 1.4 | - | |
| | | 150 | 600 | 5.0 | 2.9 | 2.5 | 2.2 | 1.7 | - | |
| | | 188 | 752 | 6.3 | 3.6 | 3.1 | 2.7 | 2.2 | 1.3 | |
| | | 250 | 1000 | 8.3 | 4.8 | 4.2 | 3.6 | 2.9 | 1.7 | |
| DBA05 | 5 | 100 | 500 | 4.2 | 2.4 | 2.1 | 1.8 | 1.4 | - | 17 |
| | | 125 | 625 | 5.2 | 3.0 | 2.6 | 2.3 | 1.8 | 1.0 | |
| | | 150 | 750 | 6.3 | 3.6 | 3.1 | 2.7 | 2.2 | 1.3 | |
| | | 188 | 940 | 7.8 | 4.5 | 3.9 | 3.4 | 2.7 | 1.6 | |
| | | 250 | 1250 | 10.4 | 6.0 | 5.2 | 4.5 | 3.6 | 2.1 | |
| DBA06 | 6 | 100 | 600 | 5.0 | 2.9 | 2.5 | 2.2 | 1.7 | 1.0 | 20 |
| | | 125 | 750 | 6.3 | 3.6 | 3.1 | 2.7 | 2.2 | 1.3 | |
| | | 150 | 900 | 7.5 | 4.3 | 3.8 | 3.2 | 2.6 | 1.5 | |
| | | 188 | 1128 | 9.4 | 5.4 | 4.7 | 4.1 | 3.3 | 1.9 | |
| | | 250 | 1500 | 12.5 | 7.2 | 6.3 | 5.4 | 4.3 | 2.5 | |
| DBA07 | 7 | 100 | 700 | - | 3.4 | 2.9 | 2.5 | 2.0 | - | 24 |
| | | 125 | 875 | - | 4.2 | 3.6 | 3.2 | 2.5 | - | |
| | | 150 | 1050 | - | 5.0 | 4.4 | 3.8 | 3.0 | - | |
| | | 188 | 1316 | - | 6.3 | 5.5 | 4.8 | 3.8 | - | |
| | | 250 | 1750 | - | 8.4 | 7.3 | 6.3 | 5.0 | 2.9 | |
| DBA08 | 8 | 100 | 800 | - | 3.8 | 3.3 | 2.9 | 2.3 | 1.3 | 27 |
| | | 125 | 1000 | - | 4.8 | 4.2 | 3.6 | 2.9 | 1.7 | |
| | | 150 | 1200 | - | 5.8 | 5.0 | 4.3 | 3.5 | 2.0 | |
| | | 188 | 1504 | - | 7.2 | 6.3 | 5.4 | 4.3 | 2.5 | |
| | | 250 | 2000 | - | 9.6 | 8.3 | 7.2 | 5.8 | 3.3 | |
| DBA09 | 9 | 100 | 900 | - | 4.3 | 3.8 | 3.2 | 2.6 | - | 30 |
| | | 125 | 1125 | - | 5.4 | 4.7 | 4.1 | 3.2 | - | |
| | | 150 | 1350 | - | 6.5 | 5.6 | 4.9 | 3.9 | - | |
| | | 188 | 1692 | - | 8.1 | 7.1 | 6.1 | 4.9 | 2.8 | |
| | | 250 | 2250 | - | 10.8 | 9.4 | 8.1 | 6.5 | 3.8 | |
| DBA10 | 10 | 100 | 1000 | - | 4.8 | 4.2 | 3.6 | 2.9 | 1.7 | 33 |
| | | 125 | 1250 | - | 6.0 | 5.2 | 4.5 | 3.6 | 2.1 | |
| | | 150 | 1500 | - | 7.2 | 6.3 | 5.4 | 4.3 | 2.5 | |
| | | 188 | 1880 | - | 9.0 | 7.8 | 6.8 | 5.4 | 3.1 | |
| | | 250 | 2500 | - | 12.0 | 10.4 | 9.0 | 7.2 | 4.2 | |

NOTE: Cabinet available up to 15 ft. length. Custom length cabinets are priced with heater and blank to the next larger size. Backs are provided standard with no finish. For finished backs, add 10% to list price. Knockouts on back omitted by request only. All models are NON-STOCK made-to-order. When ordering, specify quantity, catalog number, voltage, wattage, optional controls, and color. Consult sales representative for lead times.

BLANK SECTIONS & ACCESSORIES / DBA SERIES

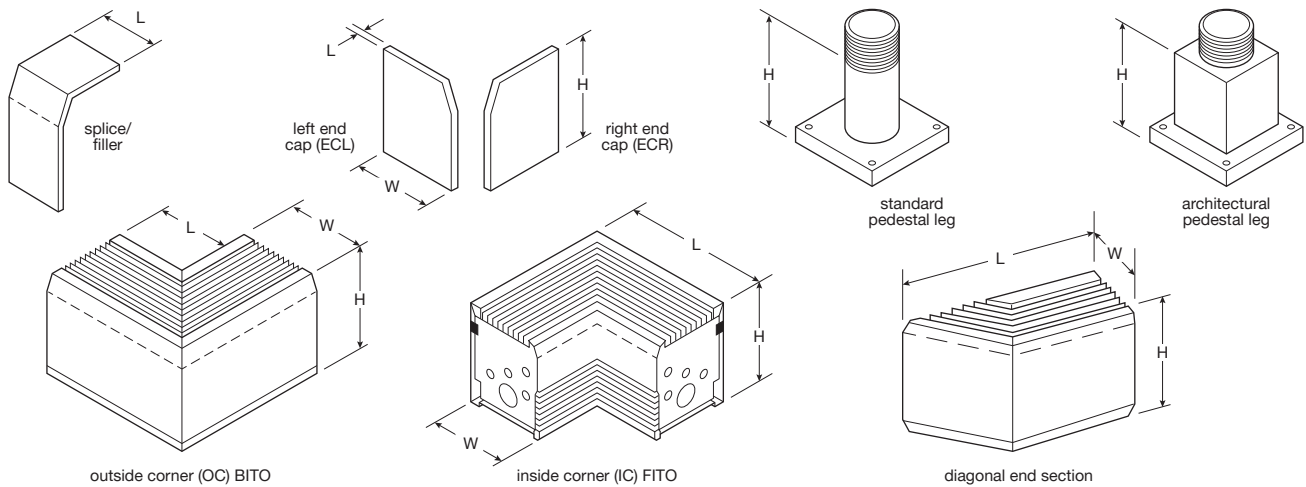
| CATALOG NO. | DIMENSIONS W x H x L | INLET | SHIP WT. (LBS) |
|-------------|-------------------------|--------|----------------|
| DBABS1F | 3-5/8" x 6" x 1' | Front | 4 |
| DBABS1B | | Bottom | |
| DBABS2F | 3-5/8" x 6" x 28" | Front | 7 |
| DBABS2B | | Bottom | |
| DBABS3F | 3-5/8" x 6" x 3' | Front | 9 |
| DBABS3B | | Bottom | |
| DBABS4F | 3-5/8" x 6" x 4' | Front | 12 |
| DBABS4B | | Bottom | |
| DBABS5F | 3-5/8" x 6" x 5' | Front | 16 |
| DBABS5B | | Bottom | |
| DBABS6F | 3-5/8" x 6" x 6' | Front | 19 |
| DBABS6B | | Bottom | |
| DBABS7F | 3-5/8" x 6" x 7' | Front | 22.5 |
| DBABS7B | | Bottom | |
| DBABS8F | 3-5/8" x 6" x 8' | Front | 24 |
| DBABS8B | | Bottom | |
| DBABS9F | 3-5/8" x 6" x 9' | Front | 27 |
| DBABS9B | | Bottom | |
| DBABS10F | 3-5/8" x 6" x 10' | Front | 30 |
| DBABS10B | | Bottom | |

NOTE: Blank section grilles are not punched unless requested.

BLANK SECTIONS & ACCESSORIES / DBA SERIES

| CATALOG NO. | DESCRIPTION | ADD'T'L WALL SPACE REQUIRED (IN) | SHIP WT. (LBS) |
|-------------|--------------------------------------|-------------------------------------|-------------------|
| DBAECL | End Cap - Left | 1/8 | 1 |
| DBAECR | End Cap - Right | 1/8 | 1 |
| DBAECLS | End Cap w/Screws - Left | 1/8 | 1 |
| DBAECRS | End Cap w/Screws - Right | 1/8 | 1 |
| DBAICF | Inside Corner-Front In | 8-1/2 | 5 |
| DBAICB | Inside Corner-Bottom In | 8-1/2 | 5 |
| DBAOCF | Outside Corner-Front In | 5 | 4 |
| DBAOCB | Outside Corner-Bottom In | 5 | 4 |
| DBA135ICF | 135° Inside Corner-Fnt. In | 8-1/2 | 5 |
| DBA135ICB | 135° Inside Corner-Bot. In | 8-1/2 | 5 |
| DBA135OCF | 135° Outside Corner-Fnt. In | 5 | 4 |
| DBA135OCB | 135° Outside Corner-Bot. In | 5 | 4 |
| DBADESBL | Dec. End Section-Bot. In, Left | 9-9/64 | 5 |
| DBADESBR | Dec. End Section-Bot. In, Right | 9-9/64 | 5 |
| DBADESFL | Dec. End Section-Fnt. In, Left | 9-9/64 | 4 |
| DBADESFR | Dec. End Section-Fnt. In, Right | 9-9/64 | 4 |
| DBASP | Splice Plate | 0 - 1/4 | 1 |
| DBAFL3 | Filler Section 3 in. | 0 - 3 | 1 |
| DBAFL6 | Filler Section 6 in. | 3 - 6 | 1 |
| DBAFL9 | Filler Section 9 in. | 6 - 9 | 1 |
| DBAFL12 | Filler Section 12 in. | 9 - 12 | 1 |
| DBA-FL18 | Filler Section 18 in. | 15 - 18 | 1.5 |
| DBADRF | Receptacle Section-Fnt. In | 4-1/2 | 1.5 |
| DBADRB | Receptacle Section-Bot. In | 4-1/2 | 1.5 |
| DBAPEF | Pneu/Ele Sw-Fnt. In | 4-1/2 | 2 |
| DBAPEB | Pneu/Ele Sw-Bot. In | 4-1/2 | 2 |
| PK3S* | Standard Pedestal 2-7/8 in. (H) | - | 2 |
| PK3A* | Architectural Pedestal 2-7/8 in. (H) | - | 2 |
| SO1A | Stand-Off Bracket | - | 1 |

*One pedestal. Two required on units up to 10 ft., three required on units over 10ft. Add suffix -P for painted, -C for clear anodized, -B for bronze anodized (excludes PK3S - Black only).



DBA & SHA SERIES

ARCHITECTURAL SILL-HEIGHT CONVECTOR

| MODELS & SPECIFICATIONS / SHA SERIES | | | | | | | | | | |
|--------------------------------------|-------------|---------------|-------------|------|------|------|------|------|------|----------------|
| CATALOG NO | LENGTH (FT) | WATTS PER FT. | TOTAL WATTS | 120V | 208V | 240V | 277V | 347V | 600V | SHIP WT. (LBS) |
| SHA02 | 2.3 | 100 | 200 | 1.7 | 1.0 | 0.8 | - | - | - | 8 |
| | | 125 | 250 | 2.1 | 1.2 | 1.0 | 0.9 | - | - | |
| | | 150 | 300 | 2.5 | 1.4 | 1.3 | 1.1 | - | - | |
| | | 188 | 376 | 3.1 | 1.8 | 1.6 | 1.4 | - | - | |
| | | 250 | 500 | 4.2 | 2.4 | 2.1 | 1.8 | 1.4 | - | |
| SHA03 | 3 | 100 | 300 | 2.5 | 1.4 | 1.3 | 1.1 | - | - | 10 |
| | | 125 | 375 | 3.1 | 1.8 | 1.6 | 1.4 | 1.1 | - | |
| | | 150 | 450 | 3.8 | 2.2 | 1.9 | 1.6 | 1.3 | - | |
| | | 188 | 564 | 4.7 | 2.7 | 2.4 | 2.0 | 1.6 | - | |
| | | 250 | 750 | 6.3 | 3.6 | 3.1 | 2.7 | 2.2 | - | |
| SHA04 | 4 | 100 | 400 | 3.3 | 1.9 | 1.7 | 1.4 | 1.2 | - | 13 |
| | | 125 | 500 | 4.2 | 2.4 | 2.1 | 1.8 | 1.4 | - | |
| | | 150 | 600 | 5.0 | 2.9 | 2.5 | 2.2 | 1.7 | - | |
| | | 188 | 752 | 6.3 | 3.6 | 3.1 | 2.7 | 2.2 | 1.3 | |
| | | 250 | 1000 | 8.3 | 4.8 | 4.2 | 3.6 | 2.9 | 1.7 | |
| SHA05 | 5 | 100 | 500 | 4.2 | 2.4 | 2.1 | 1.8 | 1.4 | - | 17 |
| | | 125 | 625 | 5.2 | 3.0 | 2.6 | 2.3 | 1.8 | 1.0 | |
| | | 150 | 750 | 6.3 | 3.6 | 3.1 | 2.7 | 2.2 | 1.3 | |
| | | 188 | 940 | 7.8 | 4.5 | 3.9 | 3.4 | 2.7 | 1.6 | |
| | | 250 | 1250 | 10.4 | 6.0 | 5.2 | 4.5 | 3.6 | 2.1 | |
| SHA06 | 6 | 100 | 600 | 5.0 | 2.9 | 2.5 | 2.2 | 1.7 | 1.0 | 20 |
| | | 125 | 750 | 6.3 | 3.6 | 3.1 | 2.7 | 2.2 | 1.3 | |
| | | 150 | 900 | 7.5 | 4.3 | 3.8 | 3.2 | 2.6 | 1.5 | |
| | | 188 | 1128 | 9.4 | 5.4 | 4.7 | 4.1 | 3.3 | 1.9 | |
| | | 250 | 1500 | 12.5 | 7.2 | 6.3 | 5.4 | 4.3 | 2.5 | |
| SHA07 | 7 | 100 | 700 | - | 3.4 | 2.9 | 2.5 | 2.0 | - | 24 |
| | | 125 | 875 | - | 4.2 | 3.6 | 3.2 | 2.5 | - | |
| | | 150 | 1050 | - | 5.0 | 4.4 | 3.8 | 3.0 | - | |
| | | 188 | 1316 | - | 6.3 | 5.5 | 4.8 | 3.8 | - | |
| | | 250 | 1750 | - | 8.4 | 7.3 | 6.3 | 5.0 | 2.9 | |
| SHA08 | 8 | 100 | 800 | - | 3.8 | 3.3 | 2.9 | 2.3 | 1.3 | 27 |
| | | 125 | 1000 | - | 4.8 | 4.2 | 3.6 | 2.9 | 1.7 | |
| | | 150 | 1200 | - | 5.8 | 5.0 | 4.3 | 3.5 | 2.0 | |
| | | 188 | 1504 | - | 7.2 | 6.3 | 5.4 | 4.3 | 2.5 | |
| | | 250 | 2000 | - | 9.6 | 8.3 | 7.2 | 5.8 | 3.3 | |
| SHA09 | 9 | 100 | 900 | - | 4.3 | 3.8 | 3.2 | 2.6 | - | 30 |
| | | 125 | 1125 | - | 5.4 | 4.7 | 4.1 | 3.2 | - | |
| | | 150 | 1350 | - | 6.5 | 5.6 | 4.9 | 3.9 | - | |
| | | 188 | 1692 | - | 8.1 | 7.1 | 6.1 | 4.9 | 2.8 | |
| | | 250 | 2250 | - | 10.8 | 9.4 | 8.1 | 6.5 | 3.8 | |
| SHA10 | 10 | 100 | 1000 | - | 4.8 | 4.2 | 3.6 | 2.9 | 1.7 | 33 |
| | | 125 | 1250 | - | 6.0 | 5.2 | 4.5 | 3.6 | 2.1 | |
| | | 150 | 1500 | - | 7.2 | 6.3 | 5.4 | 4.3 | 2.5 | |
| | | 188 | 1880 | - | 9.0 | 7.8 | 6.8 | 5.4 | 3.1 | |
| | | 250 | 2500 | - | 12.0 | 10.4 | 9.0 | 7.2 | 4.2 | |

NOTE: Cabinet available up to 12 ft. length. Custom length cabinets are priced with heater and blank to the next larger size. Backs are provided standard with no finish. For finished backs, add 10% to list price. Knockouts on back omitted by request only. All models are NON-STOCK made-to-order. When ordering, specify quantity, catalog number, voltage, wattage, optional controls, and color. Consult sales representative for lead times.

CONVECTION HEATERS

MODELS & SPECIFICATIONS / SHA SERIES MULTIPLE-ELEMENT UNITS

| CATALOG NO | LENGTH (FT) | WATTS PER FT. | TOTAL WATTS | 208V (1 PH / 3 PH) | 240V (1 PH / 3 PH) | 277V (1 PH) | 347V (1 PH) | 600V (1 PH / 3 PH) | NO. OF ELEMENTS | SHIP WT. (LBS) |
|------------|-------------|---------------|-------------|-----------------------|-----------------------|----------------|----------------|-----------------------|-----------------|-------------------|
| SHA02 | 2.3 | 375 | 750 | 3.6 / - | 3.1 / - | 2.7 | - | - | 3 | 12 |
| | | 500 | 1000 | 4.8 / - | 4.2 / - | 3.6 | 2.9 | - | | |
| | | 600 | 1200 | 5.8 / 3.3 | 5.0 / 2.9 | 4.3 | - | - | 3 | |
| | | 750* | 1500 | 7.2 / 4.2 | 6.3 / 3.6 | 5.4 | 4.3 | - | | |
| SHA03 | 3 | 375 | 1125 | 5.4 / - | 4.7 / - | 4.1 | - | - | 2 | 15.5 |
| | | 500 | 1500 | 7.2 / - | 6.3 / - | 5.4 | 4.3 | - | | |
| | | 600 | 1800 | 8.7 / 5.0 | 7.5 / 4.3 | 6.5 | - | - | 3 | |
| | | 750* | 2250 | 10.8 / 6.3 | 9.4 / 5.4 | 8.1 | 6.5 | - | | |
| SHA04 | 4 | 375 | 1500 | 7.2 / - | 6.3 / - | 5.4 | 4.3 | - | 2 | 20 |
| | | 500 | 2000 | 9.6 / - | 8.3 / - | 7.2 | 5.8 | 3.3 / - | | |
| | | 600 | 2400 | 11.5 / 6.7 | 10.0 / 5.8 | 8.7 | 6.9 | - | 3 | |
| | | 750* | 3000 | 14.4 / 8.3 | 12.5 / 7.2 | 10.8 | 8.6 | 5.0 / 2.9 | | |
| SHA05 | 5 | 375 | 1875 | 9.0 / - | 7.8 / - | 6.8 | 5.4 | 3.1 / - | 2 | 25.5 |
| | | 500 | 2500 | 12.0 / - | 10.4 / - | 9.0 | 7.2 | 4.2 / - | | |
| | | 600 | 3000 | 14.4 / 8.3 | 12.5 / 7.2 | 10.8 | 8.6 | 5.0 / 2.9 | 3 | |
| | | 750* | 3750 | 18.0 / 10.4 | 15.6 / 9.0 | 13.5 | 10.8 | 6.3 / 3.6 | | |
| SHA06 | 6 | 375 | 2250 | 10.8 / - | 9.4 / - | 8.1 | 6.5 | 3.8 / - | 2 | 30 |
| | | 500 | 3000 | 14.4 / - | 12.5 / - | 10.8 | 8.6 | 5.0 / - | | |
| | | 600 | 3600 | 17.3 / 10.0 | 15.0 / 8.7 | 13.0 | 10.4 | 6.0 / 3.5 | 3 | |
| | | 750* | 4500 | 21.6 / 12.5 | 18.8 / 10.8 | 16.2 | 13.0 | 7.5 / 4.3 | | |
| SHA07 | 7 | 375 | 2625 | 12.6 / - | 10.9 / - | 9.5 | 7.6 | - | 2 | 35 |
| | | 500 | 3500 | 16.8 / - | 14.6 / - | 12.6 | 10.1 | 5.8 / - | | |
| | | 600 | 4200 | 20.2 / 11.7 | 17.5 / 10.1 | 15.2 | 12.1 | - | 3 | |
| | | 750* | 5250 | 25.2 / 14.6 | 21.9 / 12.6 | 19.0 | 15.1 | 8.8 / 5.1 | | |
| SHA08 | 8 | 375 | 3000 | 14.4 / - | 12.5 / - | 10.8 | 8.6 | 5.0 / - | 2 | 40 |
| | | 500 | 4000 | 19.2 / - | 16.7 / - | 14.4 | 11.5 | 6.7 / - | | |
| | | 600 | 4800 | 23.1 / 13.3 | 20.0 / 11.6 | 17.3 | 13.8 | 8.0 / 4.6 | 3 | |
| | | 750* | 6000 | 28.8 / 16.7 | 25.0 / 14.5 | 21.7 | 17.3 | 10.0 / 5.8 | | |
| SHA09 | 9 | 375 | 3375 | 16.2 / - | 14.1 / - | 12.2 | 9.7 | 5.6 / - | 2 | 45 |
| | | 500 | 4500 | 21.6 / - | 18.8 / - | 16.2 | 13.0 | 7.5 / - | | |
| | | 600 | 5400 | 26.0 / 15.0 | 22.5 / 13.0 | 19.5 | 15.6 | 9.0 / 5.2 | 3 | |
| | | 750* | 6750 | 32.5 / 18.8 | 28.1 / 16.3 | 24.4 | 19.5 | 11.3 / 6.5 | | |
| SHA10 | 10 | 375 | 3750 | 18.0 / - | 15.6 / - | 13.5 | 10.8 | 6.3 / - | 2 | 50 |
| | | 500 | 5000 | 24.0 / - | 20.8 / - | 18.1 | 14.4 | 8.3 / - | | |
| | | 600 | 6000 | 28.8 / 16.7 | 25.0 / 14.5 | 21.7 | 17.3 | 10.0 / 5.8 | 3 | |
| | | 750* | 7500 | 36.1 / 20.8 | 31.3 / 18.1 | 27.1 | 21.6 | 12.5 / 7.2 | | |

NOTE: *750W models have bottom inlet only

Cabinet available up to 12 ft. length. Custom length cabinets are priced with heater and blank to the next larger size. Backs are provided standard with no finish. For finished backs, add 10% to list price. Knockouts on back omitted by request only. All models are NON-STOCK made-to-order. When ordering, specify quantity, catalog number, voltage, wattage, optional controls, and color. Consult sales representative for lead times.

DBA & SHA SERIES

ARCHITECTURAL SILL-HEIGHT CONVECTOR

BLANK SECTIONS & ACCESSORIES / SHA SERIES

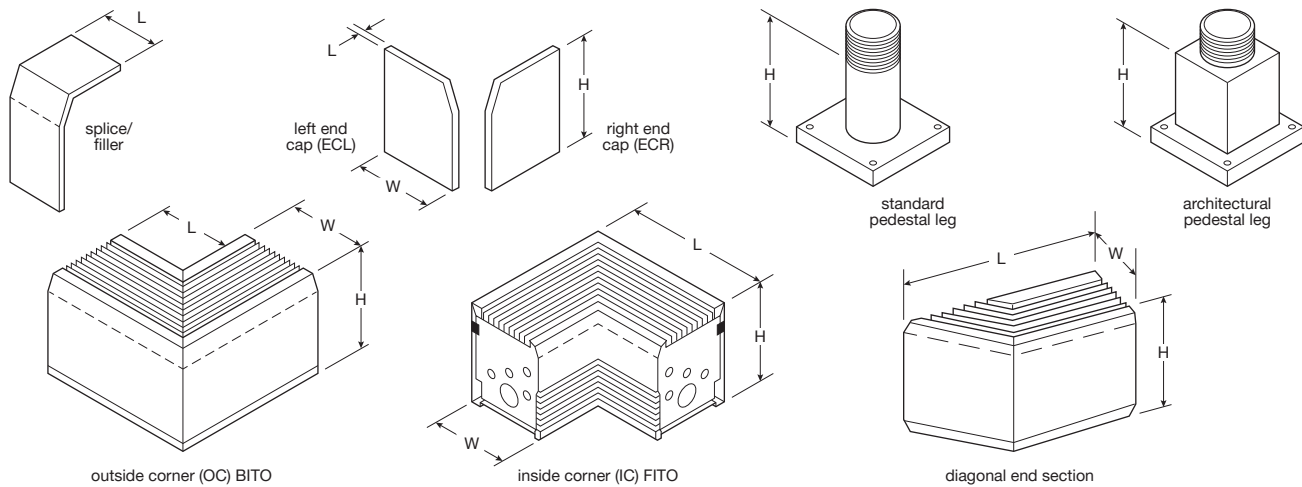
| CATALOG NO. | DIMENSIONS W x H x L | INLET | SHIP WT. (LBS) |
|-------------|-------------------------|--------|----------------|
| SHABS1F | 5-3/8" x 7" x 1' | Front | 7 |
| SHABS1B | | Bottom | |
| SHABS2F | 5-3/8" x 7" x 28" | Front | 11 |
| SHABS2B | | Bottom | |
| SHABS3F | 5-3/8" x 7" x 3' | Front | 14 |
| SHABS3B | | Bottom | |
| SHABS4F | 5-3/8" x 7" x 4' | Front | 18 |
| SHABS4B | | Bottom | |
| SHABS5F | 5-3/8" x 7" x 5' | Front | 22 |
| SHABS5B | | Bottom | |
| SHABS6F | 5-3/8" x 7" x 6' | Front | 27 |
| SHABS6B | | Bottom | |
| SHABS7F | 5-3/8" x 7" x 7' | Front | 32 |
| SHABS7B | | Bottom | |
| SHABS8F | 5-3/8" x 7" x 8' | Front | 37 |
| SHABS8B | | Bottom | |
| SHABS9F | 5-3/8" x 7" x 9' | Front | 40 |
| SHABS9B | | Bottom | |
| SHABS10F | 5-3/8" x 7" x 10' | Front | 44 |
| SHABS10B | | Bottom | |

NOTE: Blank section grilles are not punched unless requested.

BLANK SECTIONS & ACCESSORIES / SHA SERIES

| CATALOG NO. | DESCRIPTION | ADD'L WALL SPACE REQUIRED (IN) | SHIP WT. (LBS) |
|-------------|--------------------------------------|-----------------------------------|-------------------|
| SHAECL | End Cap - Left | 1/8 | 1 |
| SHAECR | End Cap - Right | | |
| SHAECLS | End Cap w/Screws - Left | 1/8 | 1 |
| SHAECRS | End Cap w/Screws - Right | | |
| SHAICF | Inside Corner-Front In | 10 | 11 |
| SHAICB | Inside Corner-Bottom In | 10 | 11 |
| SHAOCF | Outside Corner-Front In | 5 | 7 |
| SHAOCB | Outside Corner-Bottom In | 5 | 7 |
| SHA135ICF | 135° Inside Corner-Fnt. In | 10 | 11 |
| SHA135ICB | 135° Inside Corner-Bot. In | 10 | 11 |
| SHA135OCF | 135° Outside Corner-Fnt. In | 5 | 7 |
| SHA135OCB | 135° Outside Corner-Bot. In | 5 | 7 |
| SHADESBL | Dec. End Section-Bot. In, Left | 12-1/2 | 11 |
| SHADESBR | Dec. End Section-Bot. In, Right | | 11 |
| SHADESFL | Dec. End Section-Fnt. In, Left | | 7 |
| SHADESFR | Dec. End Section-Fnt. In, Right | | 7 |
| SHASP | Splice Plate | 0 - 1/4 | 1 |
| SHAFL3 | Filler Section 3 in. | 0 - 3 | 1 |
| SHAFL6 | Filler Section 6 in. | 3 - 6 | 1 |
| SHAFL9 | Filler Section 9 in. | 6 - 9 | 2 |
| SHAFL12 | Filler Section 12 in. | 9 - 12 | 3 |
| SHA-FL18 | Filler Section 18 in. | 15 - 18 | 5 |
| SHADRF | Receptacle Section-Fnt. In | 4-1/2 | 2 |
| SHADRB | Receptacle Section-Bot. In | | |
| PK5S* | Standard Pedestal 4-1/8 in. (H) | - | 2 |
| PK5A* | Architectural Pedestal 4-1/8 in. (H) | - | 2 |
| S01A | Stand-Off Bracket | - | 1 |

*One pedestal. Two required on units up to 10 ft., three required on units over 10ft. Add suffix -P for painted, -C for clear anodized, -B for bronze anodized (excludes PK3S - Black only).



CONVECTION HEATERS

OPTIONAL BUILT-IN CONTROLS / DBA & SHA SERIES

| SUFFIX ADDITION TO BASIC CATALOG NO. (SEE NOTE D) | OPTIONAL BUILT-IN CONTROL | RATINGS & DESCRIPTIONS |
|---|---------------------------|--|
| T | Single-Pole Thermostat | Rated 24 amps @ 120-240 VAC and 22 amps @ 277 VAC. Pilot duty rating of 125 VA (all voltages). 60-120°F temperature range; adjustable through outlet grille-tamper-resistant. (See Note B) Not available on three-phase heaters. |
| 2T | Double-Pole Thermostat | Rated 24 amps @ 120-240 VAC and 22 amps @ 277 VAC. Pilot duty rating of 125 VA (all voltages). 60-120°F temperature range; adjustable through outlet grille-tamper-resistant. (See Note B for amperage restrictions.) |
| DS | Power On/Off Switch | Double-pole, rated 20 amp @ 120-277 VAC. (See Note A) For three-phase heaters and single-phase heaters over 20 amps specify two. |
| TR | Transformer Relay | Single-pole, low voltage relay with built-in transformer (24 VAC control), rated 22 amps @ 120-240 VAC and 22 amps @ 277 VAC. (See note E) 17 amps @ 347V. Not available on three-phase heaters. |
| PR | Power Relay | Single-pole thermal time delay relay, rated 25 amps @ 120-600 VAC. (See Notes E & F). Specify control voltage. |
| 2ST | 2-Stage Thermostat | Rated 24 amps @ 120-240 VAC and 22 amps @ 277 VAC. Pilot duty rating of 125 VA (all voltages). 60-120°F temperature range, adjustable through outlet grille-tamper-resistant. Available on 2- or 3-element, single-phase heaters only. |
| PE | Pneumatic/Electric Switch | Pressure set-point @ 10 PSIG adjustable to 30 PSIG. Can be set to "make" or "break" on pressure drop. Rated 25 amps @ 120-277 VAC. (See Note G) |
| PDT | Single-Pole Thermostat | Same as -T except Pilot Duty. (See Note C) |
| 2TPD | Double-Pole Thermostat | Same as -2T except Pilot Duty. (See Note C & D) |
| M | Outlet Mesh | Price per foot |

NOTE:

- A. For single-phase loads over 20A and all three-phase loads, specify (2) power on/off switches.
- B. This control option is not available on single-phase heaters over 24 amps (22 amps on 277 VAC). In combination with the power on/off switch option use the 2ST thermostat option on heaters over 20 amps.
- C. A second transformer relay can be sequenced off the first transformer relay in the same heater. Up to 30 power relays in different heaters can be controlled by (1) single-stage pilot duty thermostat.
- D. Up to 30 power relays in different heater can be controlled by each stage of a two-stage pilot duty thermostat.
- E. Two relays are required on single-phase heaters over 20 amps with a power on/off switch, over 25 amps without a power on/off and on all three-phase heaters. Two relays are available for two-stage on two- or three-element heaters only.
- F. Three power relays are available for three-stage on three-element heaters only.
- G. Fits in SHA unit only. For DBA, PE will be installed in 4-1/2 in. section.

HOW TO ORDER CONVECTION HEATERS DBA & SHA SERIES

| PRODUCT | | | CABINET LENGTH | | WATT DENSITY | | | INLET AIR CONFIG. | VOLTS | | NO. OF PHASES | UNIT DESIGNATION | CONTROLS | | | | |
|---------|---|---|----------------|---|--------------|---|---|-------------------|-------|---|---------------|------------------|----------|---|---|---|---|
| S | H | A | 0 | 8 | 5 | 0 | 0 | B | 2 | 0 | 3 | C | D | S | 2 | S | T |

Series name

02 = 2.3 ft. 03 = 3 ft. 04 = 4 ft.
 05 = 5 ft. 06 = 6 ft. 07 = 7 ft.
 08 = 8 ft. 09 = 9 ft. 10 = 10 ft.

[DBA] 100 w/ft., 125 w/ft., 150 w/ft., 188 w/ft., 250 w/ft.
 [SHA] include all DBA watt densities plus 375 w/ft., 500w/ft., 600 w/ft., and 750w/ft. (bottom inlet only)

B = bottom inlet / F = front inlet

T = Single-pole thermostats PR = Power relay
 2T = Double-pole thermostats PE = Pneumatic/electric switch
 DS = Power on/off switch 2ST = Two-stage thermostat
 TR = Transformer relay

S - Standard Unit: Cabinet is the same length as heat deck.
 C - Custom Unit: Cabinet longer than heat deck (e.g. 6 ft. heat deck in a 7 ft. 3 in. cabinet) or multiple heat decks in single cabinet (e.g. 3 ft. and 28 in. heat deck in an 8 ft. 6 in. cabinet). Custom units require use of Custom Convector Layout Form to detail the unit for order entry.

1 = single-phase / 3 = three-phase

12 = 120V; 20 = 208V / 24 = 240V; 27 = 277V

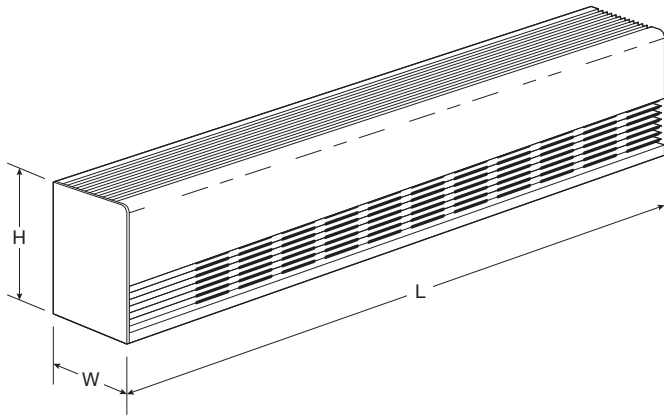
DBA & SHA SERIES ARCHITECTURAL SILL-HEIGHT CONVECTOR

SHA SERIES – PATENTED STAIR-STEP DESIGN

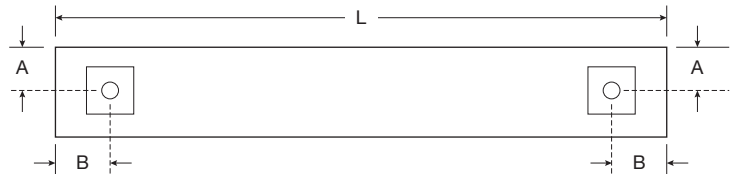
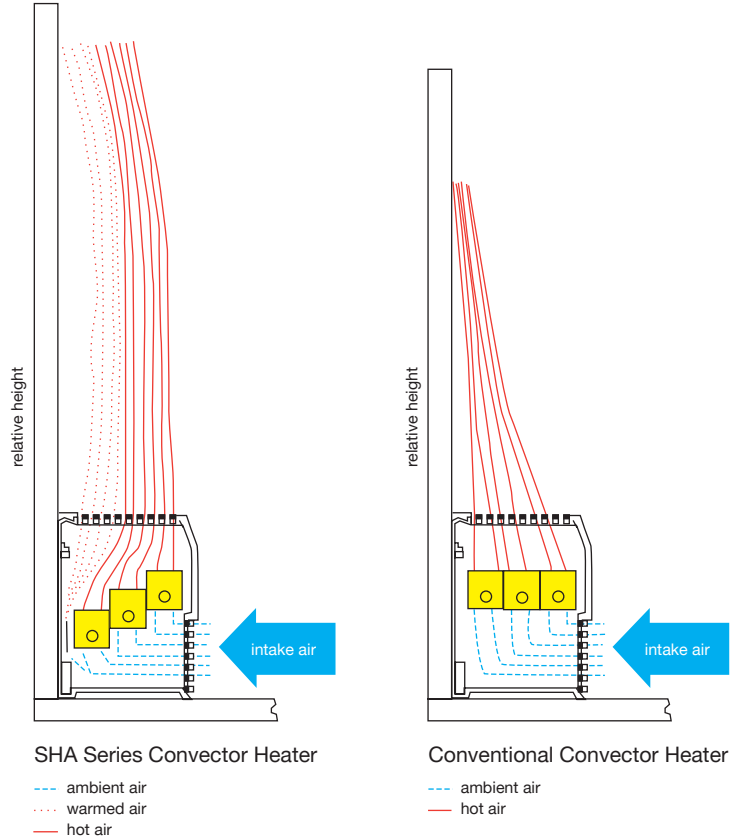
The “Stair-Step” patented design of heating elements of two- and three-element heaters controls the flow of air through the heater resulting in cooler wall temperatures compared to side-by-side arrangements of elements in conventional heaters. This unique design provides a more efficient and effective distribution of heat.

CABINET STYLES

Two cabinet styles are available. The DBA Series, designed for residential applications, is 3-5/8 x 6 in. and is available with one heating element. The SHA Series, designed for commercial applications, is 5-3/8 x 5 in. and is available with one, two, or three elements. Both styles are available in two versions: front-in/top-out and bottom-in/top-out.



| DIMENSIONS | | | |
|-------------|----|--------|---------|
| CATALOG NO. | H | W | L |
| DBA | 6" | 3-3/8" | 28"-15' |
| SHA | 7" | 5-5/8" | 28"-15' |



| STANDARD PEDESTAL PLACEMENT | | | |
|-----------------------------|----|--------|---------|
| CATALOG NO. | A | B | L |
| DBA | 2" | 2-1/4" | 28"-10' |
| SHA | 2" | 2-1/4" | 28"-12' |

NOTE: On units longer than 10 ft., three pedestals are required. Consult factory for placement.