

## DBA & SHA SERIES

### ARCHITECTURAL SILL-HEIGHT CONVECTOR

MADE TO ORDER



#### IDEAL SPACES

##### Residential (DBA):

- Living Rooms
- Bedrooms
- Other similar areas with floor to ceiling windows

##### Institutional and Commercial (SHA or DBA):

- Offices
- Hallways
- Lobbies
- Condos
- Conference Rooms
- Retail Spaces
- Other Similar Areas

#### COLORS

- Neutral Gray
- Charcoal Gray
- Navajo White
- Northern White
- Statuary Bronze
- Desert Tan
- Black
- Custom Colors
- Clear
- Bronze Anodized Finishes Available

#### DIMENSIONS

- DBA: 6"H x 3-5/8"D (length varies)
- SHA: 7"H x 5-5/8"D (length varies)



- DBA Series is approved for residential applications
- Patented "Stair-Step" SHA heating element design accommodates a multitude of applications and heating needs (see diagram on next page)
- Unique two-piece extruded aluminum "Snap-Lock" closure design secures the one-piece top and front grilles to the one-piece back and bottom providing a rapid, secure fit all along the length of the unit
- Front/bottom inlet air grille utilizes slots which create an attractive installation where inlet grille is visible
- Blend into any décor with custom paint and anodizing upon request
- Units can be mounted on floor, wall, or pedestals
- Customize space with wall-to-wall installation, or as discrete units in standard lengths of 28 in. to 10 ft.
- Units are available in a wide range of heating capacities per foot length (see specifications)
- Architectural-style end sections give a finished look when used as a stand-alone or where a wall-to-wall run is not desired
- Inside and outside corners can be ordered factory-cut and mitered to fit difficult or unusual spaces
- Right -or left-hand entry and built-in wire way (equivalent to 3/4 in. conduit) with factory-installed wiring
- Full line of trim accessories, including matching blank sections, end caps, filler sections, inside and outside corners, diagonal end sections, and splice plates
- Optional built-in controls include: line-voltage thermostat; two-stage thermostat; on/off switch; transformer relay; power relay and pneumatic/switch
- Easy connection of supply wiring from bottom, rear or end, as well as multiple wiring of adjacent heaters from one entry point
- Thermal limit switch with linear type (full length) sensing bulb provides constant protection against overheating from any cause
- Switch will automatically reset when normal operating temperatures are restored
- Discharge air openings in top grille are punched slots which are pencil-proof for safety

[www.qmarkmep.com](http://www.qmarkmep.com)

For Technical Services, Call 800-642-4328

ITEM# QFLY\_DBASHA\_1217-1

# DBA & SHA SERIES

## ARCHITECTURAL SILL-HEIGHT CONVECTOR

MODELS & SPECIFICATIONS / DBA SERIES										
CATALOG NO.	LENGTH (FT)	WATTS PER FT.	TOTAL WATTS	120V	208V	240V	277V	347V	600V	SHIP WT. (LBS)
DBA02	2.3	100	200	1.7	1.0	0.8	-	-	-	8
		125	250	2.1	1.2	1.0	0.9	-	-	
		150	300	2.5	1.4	1.3	1.1	-	-	
		188	376	3.1	1.8	1.6	1.4	-	-	
		250	500	4.2	2.4	2.1	1.8	1.4	-	
DBA03	3	100	300	2.5	1.4	1.3	1.1	-	-	10
		125	375	3.1	1.8	1.6	1.4	1.1	-	
		150	450	3.8	2.2	1.9	1.6	1.3	-	
		188	564	4.7	2.7	2.4	2.0	1.6	-	
		250	750	6.3	3.6	3.1	2.7	2.2	-	
DBA04	4	100	400	3.3	1.9	1.7	1.4	1.2	-	13
		125	500	4.2	2.4	2.1	1.8	1.4	-	
		150	600	5.0	2.9	2.5	2.2	1.7	-	
		188	752	6.3	3.6	3.1	2.7	2.2	1.3	
		250	1000	8.3	4.8	4.2	3.6	2.9	1.7	
DBA05	5	100	500	4.2	2.4	2.1	1.8	1.4	-	17
		125	625	5.2	3.0	2.6	2.3	1.8	1.0	
		150	750	6.3	3.6	3.1	2.7	2.2	1.3	
		188	940	7.8	4.5	3.9	3.4	2.7	1.6	
		250	1250	10.4	6.0	5.2	4.5	3.6	2.1	
DBA06	6	100	600	5.0	2.9	2.5	2.2	1.7	1.0	20
		125	750	6.3	3.6	3.1	2.7	2.2	1.3	
		150	900	7.5	4.3	3.8	3.2	2.6	1.5	
		188	1128	9.4	5.4	4.7	4.1	3.3	1.9	
		250	1500	12.5	7.2	6.3	5.4	4.3	2.5	
DBA07	7	100	700	-	3.4	2.9	2.5	2.0	-	24
		125	875	-	4.2	3.6	3.2	2.5	-	
		150	1050	-	5.0	4.4	3.8	3.0	-	
		188	1316	-	6.3	5.5	4.8	3.8	-	
		250	1750	-	8.4	7.3	6.3	5.0	2.9	
DBA08	8	100	800	-	3.8	3.3	2.9	2.3	1.3	27
		125	1000	-	4.8	4.2	3.6	2.9	1.7	
		150	1200	-	5.8	5.0	4.3	3.5	2.0	
		188	1504	-	7.2	6.3	5.4	4.3	2.5	
		250	2000	-	9.6	8.3	7.2	5.8	3.3	
DBA09	9	100	900	-	4.3	3.8	3.2	2.6	-	30
		125	1125	-	5.4	4.7	4.1	3.2	-	
		150	1350	-	6.5	5.6	4.9	3.9	-	
		188	1692	-	8.1	7.1	6.1	4.9	2.8	
		250	2250	-	10.8	9.4	8.1	6.5	3.8	
DBA10	10	100	1000	-	4.8	4.2	3.6	2.9	1.7	33
		125	1250	-	6.0	5.2	4.5	3.6	2.1	
		150	1500	-	7.2	6.3	5.4	4.3	2.5	
		188	1880	-	9.0	7.8	6.8	5.4	3.1	
		250	2500	-	12.0	10.4	9.0	7.2	4.2	

NOTE: Cabinet available up to 15 ft. length. Custom length cabinets are priced with heater and blank to the next larger size. Backs are provided standard with no finish. For finished backs, add 10% to list price. Knockouts on back omitted by request only. All models are NON-STOCK made-to-order. When ordering, specify quantity, catalog number, voltage, wattage, optional controls, and color. Consult sales representative for lead times.

## BLANK SECTIONS & ACCESSORIES / DBA SERIES

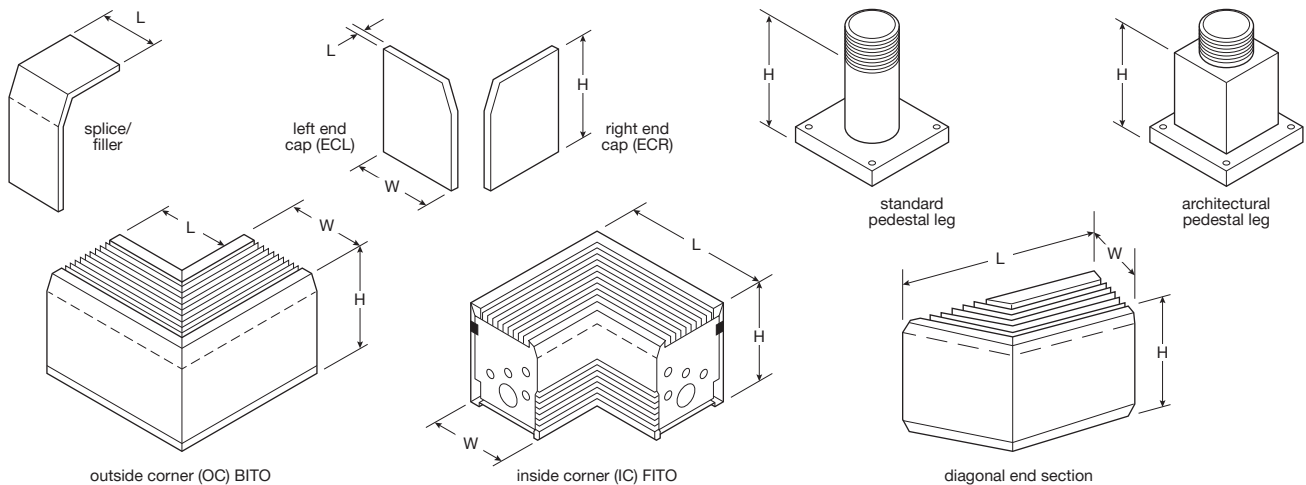
CATALOG NO.	DIMENSIONS W x H x L	INLET	SHIP WT. (LBS)
DBABS1F	3-5/8" x 6" x 1'	Front	4
DBABS1B		Bottom	
DBABS2F	3-5/8" x 6" x 28"	Front	7
DBABS2B		Bottom	
DBABS3F	3-5/8" x 6" x 3'	Front	9
DBABS3B		Bottom	
DBABS4F	3-5/8" x 6" x 4'	Front	12
DBABS4B		Bottom	
DBABS5F	3-5/8" x 6" x 5'	Front	16
DBABS5B		Bottom	
DBABS6F	3-5/8" x 6" x 6'	Front	19
DBABS6B		Bottom	
DBABS7F	3-5/8" x 6" x 7'	Front	22.5
DBABS7B		Bottom	
DBABS8F	3-5/8" x 6" x 8'	Front	24
DBABS8B		Bottom	
DBABS9F	3-5/8" x 6" x 9'	Front	27
DBABS9B		Bottom	
DBABS10F	3-5/8" x 6" x 10'	Front	30
DBABS10B		Bottom	

NOTE: Blank section grilles are not punched unless requested.

## BLANK SECTIONS & ACCESSORIES / DBA SERIES

CATALOG NO.	DESCRIPTION	ADD'T'L WALL SPACE REQUIRED (IN)	SHIP WT. (LBS)
DBAECL	End Cap - Left	1/8	1
DBAECR	End Cap - Right	1/8	1
DBAECLS	End Cap w/Screws - Left	1/8	1
DBAECRS	End Cap w/Screws - Right	1/8	1
DBAICF	Inside Corner-Front In	8-1/2	5
DBAICB	Inside Corner-Bottom In	8-1/2	5
DBAOCF	Outside Corner-Front In	5	4
DBAOCB	Outside Corner-Bottom In	5	4
DBA135ICF	135° Inside Corner-Fnt. In	8-1/2	5
DBA135ICB	135° Inside Corner-Bot. In	8-1/2	5
DBA135OCF	135° Outside Corner-Fnt. In	5	4
DBA135OCB	135° Outside Corner-Bot. In	5	4
DBADESBL	Dec. End Section-Bot. In, Left	9-9/64	5
DBADESBR	Dec. End Section-Bot. In, Right	9-9/64	5
DBADESFL	Dec. End Section-Fnt. In, Left	9-9/64	4
DBADESFR	Dec. End Section-Fnt. In, Right	9-9/64	4
DBASP	Splice Plate	0 - 1/4	1
DBAFL3	Filler Section 3 in.	0 - 3	1
DBAFL6	Filler Section 6 in.	3 - 6	1
DBAFL9	Filler Section 9 in.	6 - 9	1
DBAFL12	Filler Section 12 in.	9 - 12	1
DBA-FL18	Filler Section 18 in.	15 - 18	1.5
DBADRF	Receptacle Section-Fnt. In	4-1/2	1.5
DBADRB	Receptacle Section-Bot. In	4-1/2	1.5
DBAPEF	Pneu/Ele Sw-Fnt. In	4-1/2	2
DBAPEB	Pneu/Ele Sw-Bot. In	4-1/2	2
PK3S*	Standard Pedestal 2-7/8 in. (H)	-	2
PK3A*	Architectural Pedestal 2-7/8 in. (H)	-	2
SO1A	Stand-Off Bracket	-	1

\*One pedestal. Two required on units up to 10 ft., three required on units over 10ft. Add suffix -P for painted, -C for clear anodized, -B for bronze anodized (excludes PK3S - Black only).



# DBA & SHA SERIES

## ARCHITECTURAL SILL-HEIGHT CONVECTOR

MODELS & SPECIFICATIONS / SHA SERIES										
CATALOG NO	LENGTH (FT)	WATTS PER FT.	TOTAL WATTS	120V	208V	240V	277V	347V	600V	SHIP WT. (LBS)
SHA02	2.3	100	200	1.7	1.0	0.8	-	-	-	8
		125	250	2.1	1.2	1.0	0.9	-	-	
		150	300	2.5	1.4	1.3	1.1	-	-	
		188	376	3.1	1.8	1.6	1.4	-	-	
		250	500	4.2	2.4	2.1	1.8	1.4	-	
SHA03	3	100	300	2.5	1.4	1.3	1.1	-	-	10
		125	375	3.1	1.8	1.6	1.4	1.1	-	
		150	450	3.8	2.2	1.9	1.6	1.3	-	
		188	564	4.7	2.7	2.4	2.0	1.6	-	
		250	750	6.3	3.6	3.1	2.7	2.2	-	
SHA04	4	100	400	3.3	1.9	1.7	1.4	1.2	-	13
		125	500	4.2	2.4	2.1	1.8	1.4	-	
		150	600	5.0	2.9	2.5	2.2	1.7	-	
		188	752	6.3	3.6	3.1	2.7	2.2	1.3	
		250	1000	8.3	4.8	4.2	3.6	2.9	1.7	
SHA05	5	100	500	4.2	2.4	2.1	1.8	1.4	-	17
		125	625	5.2	3.0	2.6	2.3	1.8	1.0	
		150	750	6.3	3.6	3.1	2.7	2.2	1.3	
		188	940	7.8	4.5	3.9	3.4	2.7	1.6	
		250	1250	10.4	6.0	5.2	4.5	3.6	2.1	
SHA06	6	100	600	5.0	2.9	2.5	2.2	1.7	1.0	20
		125	750	6.3	3.6	3.1	2.7	2.2	1.3	
		150	900	7.5	4.3	3.8	3.2	2.6	1.5	
		188	1128	9.4	5.4	4.7	4.1	3.3	1.9	
		250	1500	12.5	7.2	6.3	5.4	4.3	2.5	
SHA07	7	100	700	-	3.4	2.9	2.5	2.0	-	24
		125	875	-	4.2	3.6	3.2	2.5	-	
		150	1050	-	5.0	4.4	3.8	3.0	-	
		188	1316	-	6.3	5.5	4.8	3.8	-	
		250	1750	-	8.4	7.3	6.3	5.0	2.9	
SHA08	8	100	800	-	3.8	3.3	2.9	2.3	1.3	27
		125	1000	-	4.8	4.2	3.6	2.9	1.7	
		150	1200	-	5.8	5.0	4.3	3.5	2.0	
		188	1504	-	7.2	6.3	5.4	4.3	2.5	
		250	2000	-	9.6	8.3	7.2	5.8	3.3	
SHA09	9	100	900	-	4.3	3.8	3.2	2.6	-	30
		125	1125	-	5.4	4.7	4.1	3.2	-	
		150	1350	-	6.5	5.6	4.9	3.9	-	
		188	1692	-	8.1	7.1	6.1	4.9	2.8	
		250	2250	-	10.8	9.4	8.1	6.5	3.8	
SHA10	10	100	1000	-	4.8	4.2	3.6	2.9	1.7	33
		125	1250	-	6.0	5.2	4.5	3.6	2.1	
		150	1500	-	7.2	6.3	5.4	4.3	2.5	
		188	1880	-	9.0	7.8	6.8	5.4	3.1	
		250	2500	-	12.0	10.4	9.0	7.2	4.2	

NOTE: Cabinet available up to 12 ft. length. Custom length cabinets are priced with heater and blank to the next larger size. Backs are provided standard with no finish. For finished backs, add 10% to list price. Knockouts on back omitted by request only. All models are NON-STOCK made-to-order. When ordering, specify quantity, catalog number, voltage, wattage, optional controls, and color. Consult sales representative for lead times.

# CONVECTION HEATERS

## MODELS & SPECIFICATIONS / SHA SERIES MULTIPLE-ELEMENT UNITS

CATALOG NO	LENGTH (FT)	WATTS PER FT.	TOTAL WATTS	208V (1 PH / 3 PH)	240V (1 PH / 3 PH)	277V (1 PH)	347V (1 PH)	600V (1 PH / 3 PH)	NO. OF ELEMENTS	SHIP WT. (LBS)
SHA02	2.3	375	750	3.6 / -	3.1 / -	2.7	-	-	3	12
		500	1000	4.8 / -	4.2 / -	3.6	2.9	-		
		600	1200	5.8 / 3.3	5.0 / 2.9	4.3	-	-	3	
		750*	1500	7.2 / 4.2	6.3 / 3.6	5.4	4.3	-		
SHA03	3	375	1125	5.4 / -	4.7 / -	4.1	-	-	2	15.5
		500	1500	7.2 / -	6.3 / -	5.4	4.3	-		
		600	1800	8.7 / 5.0	7.5 / 4.3	6.5	-	-	3	
		750*	2250	10.8 / 6.3	9.4 / 5.4	8.1	6.5	-		
SHA04	4	375	1500	7.2 / -	6.3 / -	5.4	4.3	-	2	20
		500	2000	9.6 / -	8.3 / -	7.2	5.8	3.3 / -		
		600	2400	11.5 / 6.7	10.0 / 5.8	8.7	6.9	-	3	
		750*	3000	14.4 / 8.3	12.5 / 7.2	10.8	8.6	5.0 / 2.9		
SHA05	5	375	1875	9.0 / -	7.8 / -	6.8	5.4	3.1 / -	2	25.5
		500	2500	12.0 / -	10.4 / -	9.0	7.2	4.2 / -		
		600	3000	14.4 / 8.3	12.5 / 7.2	10.8	8.6	5.0 / 2.9	3	
		750*	3750	18.0 / 10.4	15.6 / 9.0	13.5	10.8	6.3 / 3.6		
SHA06	6	375	2250	10.8 / -	9.4 / -	8.1	6.5	3.8 / -	2	30
		500	3000	14.4 / -	12.5 / -	10.8	8.6	5.0 / -		
		600	3600	17.3 / 10.0	15.0 / 8.7	13.0	10.4	6.0 / 3.5	3	
		750*	4500	21.6 / 12.5	18.8 / 10.8	16.2	13.0	7.5 / 4.3		
SHA07	7	375	2625	12.6 / -	10.9 / -	9.5	7.6	-	2	35
		500	3500	16.8 / -	14.6 / -	12.6	10.1	5.8 / -		
		600	4200	20.2 / 11.7	17.5 / 10.1	15.2	12.1	-	3	
		750*	5250	25.2 / 14.6	21.9 / 12.6	19.0	15.1	8.8 / 5.1		
SHA08	8	375	3000	14.4 / -	12.5 / -	10.8	8.6	5.0 / -	2	40
		500	4000	19.2 / -	16.7 / -	14.4	11.5	6.7 / -		
		600	4800	23.1 / 13.3	20.0 / 11.6	17.3	13.8	8.0 / 4.6	3	
		750*	6000	28.8 / 16.7	25.0 / 14.5	21.7	17.3	10.0 / 5.8		
SHA09	9	375	3375	16.2 / -	14.1 / -	12.2	9.7	5.6 / -	2	45
		500	4500	21.6 / -	18.8 / -	16.2	13.0	7.5 / -		
		600	5400	26.0 / 15.0	22.5 / 13.0	19.5	15.6	9.0 / 5.2	3	
		750*	6750	32.5 / 18.8	28.1 / 16.3	24.4	19.5	11.3 / 6.5		
SHA10	10	375	3750	18.0 / -	15.6 / -	13.5	10.8	6.3 / -	2	50
		500	5000	24.0 / -	20.8 / -	18.1	14.4	8.3 / -		
		600	6000	28.8 / 16.7	25.0 / 14.5	21.7	17.3	10.0 / 5.8	3	
		750*	7500	36.1 / 20.8	31.3 / 18.1	27.1	21.6	12.5 / 7.2		

NOTE: \*750W models have bottom inlet only

Cabinet available up to 12 ft. length. Custom length cabinets are priced with heater and blank to the next larger size. Backs are provided standard with no finish. For finished backs, add 10% to list price. Knockouts on back omitted by request only. All models are NON-STOCK made-to-order. When ordering, specify quantity, catalog number, voltage, wattage, optional controls, and color. Consult sales representative for lead times.

# DBA & SHA SERIES

## ARCHITECTURAL SILL-HEIGHT CONVECTOR

### BLANK SECTIONS & ACCESSORIES / SHA SERIES

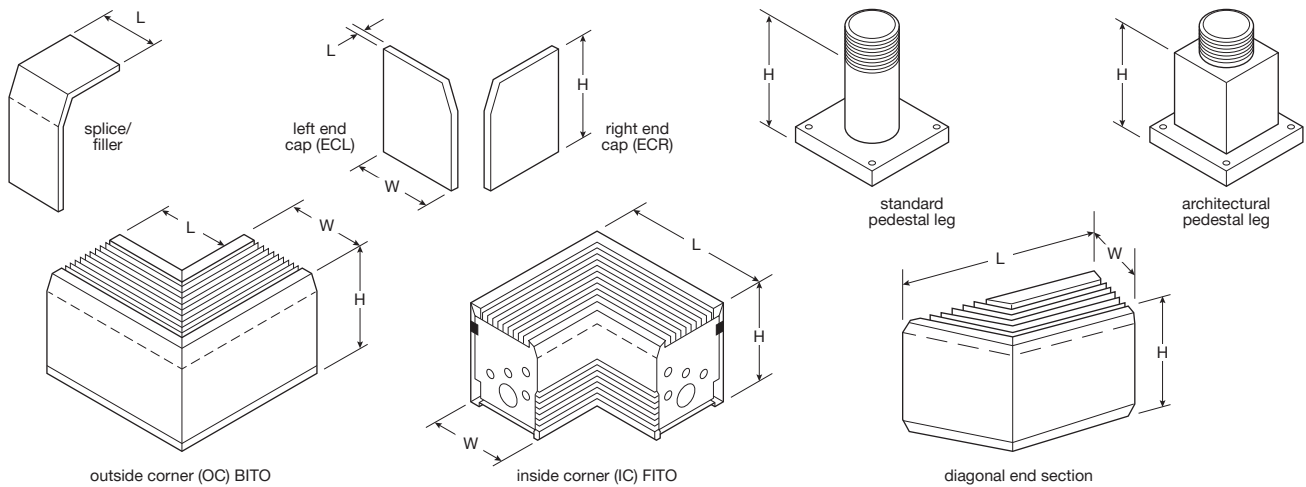
CATALOG NO.	DIMENSIONS W x H x L	INLET	SHIP WT. (LBS)
SHABS1F	5-3/8" x 7" x 1'	Front	7
SHABS1B		Bottom	
SHABS2F	5-3/8" x 7" x 28"	Front	11
SHABS2B		Bottom	
SHABS3F	5-3/8" x 7" x 3'	Front	14
SHABS3B		Bottom	
SHABS4F	5-3/8" x 7" x 4'	Front	18
SHABS4B		Bottom	
SHABS5F	5-3/8" x 7" x 5'	Front	22
SHABS5B		Bottom	
SHABS6F	5-3/8" x 7" x 6'	Front	27
SHABS6B		Bottom	
SHABS7F	5-3/8" x 7" x 7'	Front	32
SHABS7B		Bottom	
SHABS8F	5-3/8" x 7" x 8'	Front	37
SHABS8B		Bottom	
SHABS9F	5-3/8" x 7" x 9'	Front	40
SHABS9B		Bottom	
SHABS10F	5-3/8" x 7" x 10'	Front	44
SHABS10B		Bottom	

NOTE: Blank section grilles are not punched unless requested.

### BLANK SECTIONS & ACCESSORIES / SHA SERIES

CATALOG NO.	DESCRIPTION	ADD'T'L WALL SPACE REQUIRED (IN)	SHIP WT. (LBS)
SHAECL	End Cap - Left	1/8	1
SHAECR	End Cap - Right		
SHAECLS	End Cap w/Screws - Left	1/8	1
SHAECRS	End Cap w/Screws - Right		
SHAICF	Inside Corner-Front In	10	11
SHAICB	Inside Corner-Bottom In	10	11
SHAOCF	Outside Corner-Front In	5	7
SHAOCB	Outside Corner-Bottom In	5	7
SHA135ICF	135° Inside Corner-Fnt. In	10	11
SHA135ICB	135° Inside Corner-Bot. In	10	11
SHA135OCF	135° Outside Corner-Fnt. In	5	7
SHA135OCB	135° Outside Corner-Bot. In	5	7
SHADESBL	Dec. End Section-Bot. In, Left	12-1/2	11
SHADESBR	Dec. End Section-Bot. In, Right		11
SHADESFL	Dec. End Section-Fnt. In, Left		7
SHADESFR	Dec. End Section-Fnt. In, Right		7
SHASP	Splice Plate	0 - 1/4	1
SHAFL3	Filler Section 3 in.	0 - 3	1
SHAFL6	Filler Section 6 in.	3 - 6	1
SHAFL9	Filler Section 9 in.	6 - 9	2
SHAFL12	Filler Section 12 in.	9 - 12	3
SHA-FL18	Filler Section 18 in.	15 - 18	5
SHADRF	Receptacle Section-Fnt. In	4-1/2	2
SHADRB	Receptacle Section-Bot. In		
PK5S*	Standard Pedestal 4-1/8 in. (H)	-	2
PK5A*	Architectural Pedestal 4-1/8 in. (H)	-	2
S01A	Stand-Off Bracket	-	1

\*One pedestal. Two required on units up to 10 ft., three required on units over 10ft. Add suffix -P for painted, -C for clear anodized, -B for bronze anodized (excludes PK3S - Black only).



# CONVECTION HEATERS

## OPTIONAL BUILT-IN CONTROLS / DBA & SHA SERIES

SUFFIX ADDITION TO BASIC CATALOG NO. (SEE NOTE D)	OPTIONAL BUILT-IN CONTROL	RATINGS & DESCRIPTIONS
T	Single-Pole Thermostat	Rated 24 amps @ 120-240 VAC and 22 amps @ 277 VAC. Pilot duty rating of 125 VA (all voltages). 60-120°F temperature range; adjustable through outlet grille-tamper-resistant. (See Note B) Not available on three-phase heaters.
2T	Double-Pole Thermostat	Rated 24 amps @ 120-240 VAC and 22 amps @ 277 VAC. Pilot duty rating of 125 VA (all voltages). 60-120°F temperature range; adjustable through outlet grille-tamper-resistant. (See Note B for amperage restrictions.)
DS	Power On/Off Switch	Double-pole, rated 20 amp @ 120-277 VAC. (See Note A) For three-phase heaters and single-phase heaters over 20 amps specify two.
TR	Transformer Relay	Single-pole, low voltage relay with built-in transformer (24 VAC control), rated 22 amps @ 120-240 VAC and 22 amps @ 277 VAC. (See note E) 17 amps @ 347V. Not available on three-phase heaters.
PR	Power Relay	Single-pole thermal time delay relay, rated 25 amps @ 120-600 VAC. (See Notes E & F). Specify control voltage.
2ST	2-Stage Thermostat	Rated 24 amps @ 120-240 VAC and 22 amps @ 277 VAC. Pilot duty rating of 125 VA (all voltages). 60-120°F temperature range, adjustable through outlet grille-tamper-resistant. Available on 2- or 3-element, single-phase heaters only.
PE	Pneumatic/Electric Switch	Pressure set-point @ 10 PSIG adjustable to 30 PSIG. Can be set to "make" or "break" on pressure drop. Rated 25 amps @ 120-277 VAC. (See Note G)
PDT	Single-Pole Thermostat	Same as -T except Pilot Duty. (See Note C)
2TPD	Double-Pole Thermostat	Same as -2T except Pilot Duty. (See Note C & D)
M	Outlet Mesh	Price per foot

**NOTE:**

- A. For single-phase loads over 20A and all three-phase loads, specify (2) power on/off switches.
- B. This control option is not available on single-phase heaters over 24 amps (22 amps on 277 VAC). In combination with the power on/off switch option use the 2ST thermostat option on heaters over 20 amps.
- C. A second transformer relay can be sequenced off the first transformer relay in the same heater. Up to 30 power relays in different heaters can be controlled by (1) single-stage pilot duty thermostat.
- D. Up to 30 power relays in different heater can be controlled by each stage of a two-stage pilot duty thermostat.
- E. Two relays are required on single-phase heaters over 20 amps with a power on/off switch, over 25 amps without a power on/off and on all three-phase heaters. Two relays are available for two-stage on two- or three-element heaters only.
- F. Three power relays are available for three-stage on three-element heaters only.
- G. Fits in SHA unit only. For DBA, PE will be installed in 4-1/2 in. section.

### HOW TO ORDER CONVECTION HEATERS DBA & SHA SERIES

PRODUCT			CABINET LENGTH		WATT DENSITY			INLET AIR CONFIG.	VOLTS			NO. OF PHASES	UNIT DESIGNATION	CONTROLS				
S	H	A	0	8	5	0	0	B	2	0	3	C	D	S	2	S	T	

Series name

02 = 2.3 ft.    03 = 3 ft.    04 = 4 ft.  
 05 = 5 ft.    06 = 6 ft.    07 = 7 ft.  
 08 = 8 ft.    09 = 9 ft.    10 = 10 ft.

[DBA] 100 w/ft., 125 w/ft., 150 w/ft., 188 w/ft., 250 w/ft.  
 [SHA] include all DBA watt densities plus 375 w/ft., 500w/ft., 600 w/ft., and 750w/ft. (bottom inlet only)

B = bottom inlet / F = front inlet

T = Single-pole thermostats    PR = Power relay  
 2T = Double-pole thermostats    PE = Pneumatic/electric switch  
 DS = Power on/off switch    2ST = Two-stage thermostat  
 TR = Transformer relay

S - Standard Unit: Cabinet is the same length as heat deck.  
 C - Custom Unit: Cabinet longer than heat deck (e.g. 6 ft. heat deck in a 7 ft. 3 in. cabinet) or multiple heat decks in single cabinet (e.g. 3 ft. and 28 in. heat deck in an 8 ft. 6 in. cabinet). Custom units require use of Custom Convector Layout Form to detail the unit for order entry.

1 = single-phase / 3 = three-phase

12 = 120V; 20 = 208V / 24 = 240V; 27 = 277V



## DBA & SHA SERIES

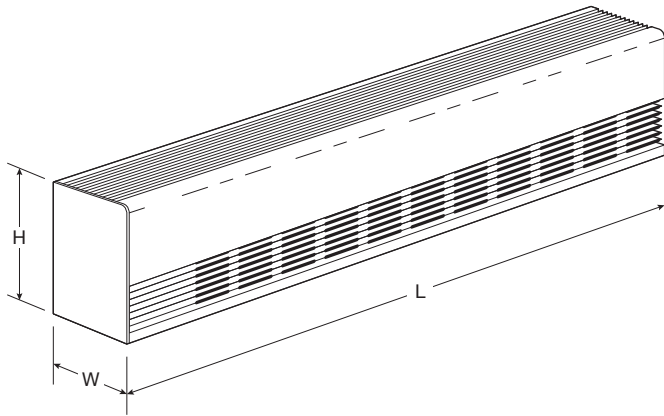
### ARCHITECTURAL SILL-HEIGHT CONVECTOR

#### SHA SERIES – PATENTED STAIR-STEP DESIGN

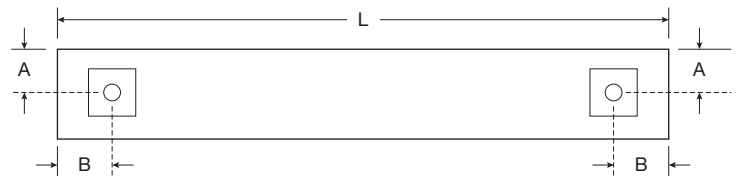
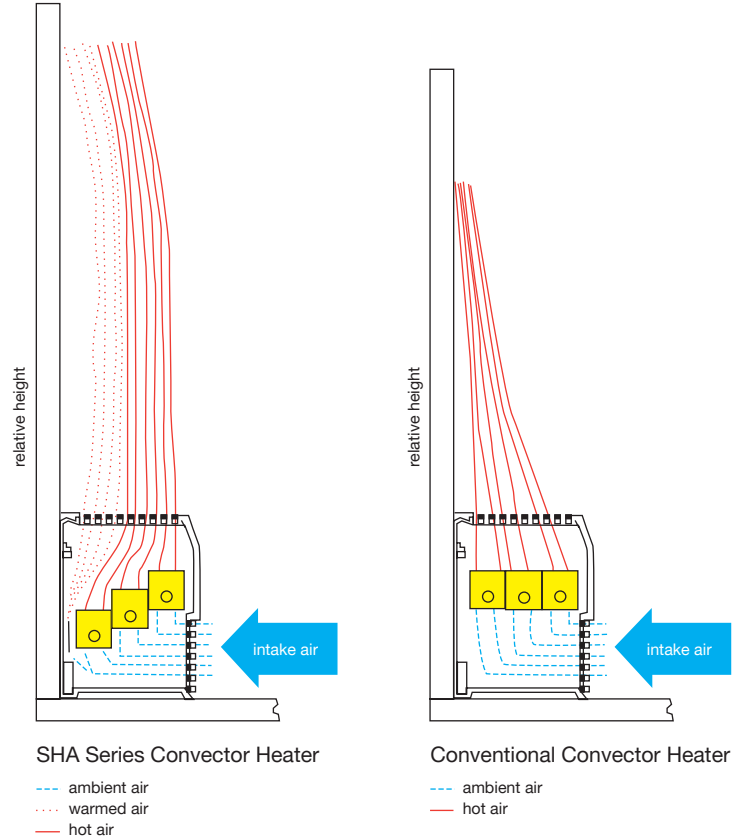
The “Stair-Step” patented design of heating elements of two- and three-element heaters controls the flow of air through the heater resulting in cooler wall temperatures compared to side-by-side arrangements of elements in conventional heaters. This unique design provides a more efficient and effective distribution of heat.

#### CABINET STYLES

Two cabinet styles are available. The DBA Series, designed for residential applications, is 3-5/8 x 6 in. and is available with one heating element. The SHA Series, designed for commercial applications, is 5-3/8 x 5 in. and is available with one, two, or three elements. Both styles are available in two versions: front-in/top-out and bottom-in/top-out.



DIMENSIONS			
CATALOG NO.	H	W	L
DBA	6"	3-3/8"	28"-15'
SHA	7"	5-5/8"	28"-15'



STANDARD PEDESTAL PLACEMENT			
CATALOG NO.	A	B	L
DBA	2"	2-1/4"	28"-10'
SHA	2"	2-1/4"	28"-12'

NOTE: On units longer than 10 ft., three pedestals are required. Consult factory for placement.