

## CU900 SERIES CUSTOM CABINET UNIT HEATER



### IDEAL SPACES

- School Hallways
- Churches
- Transportation Terminals
- Stairwells
- Entrance Ways
- Vestibules
- Lobbies
- Mechanical Rooms

### STANDARD COLOR

- White

### ADDITIONAL COLORS

- Beige
- Aluminum
- Bronze
- Black

Custom Colors also available

### DIMENSIONS

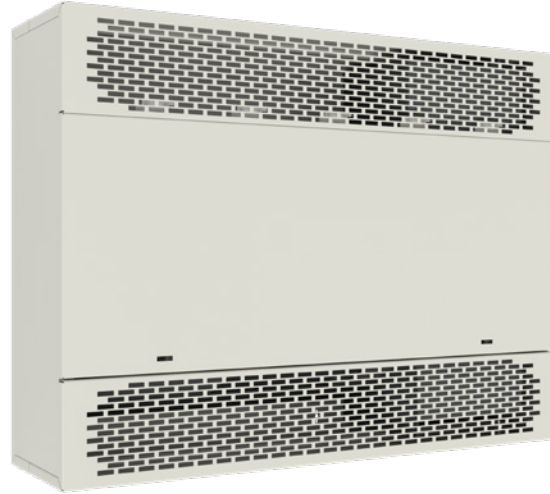
- 26-3/8"H x 9-3/4"D (length varies)

### TEMP RANGE

- 55°– 85°F

### CFM

- 200 – 1000



### Contemporary Aesthetics

- Contemporary design to match modern and future architect specifications
- Standard stamped grille with optional ducted grilles

### Easy Install and Maintenance

- One-person maintenance on ceiling applications with hinged front panel
- Front cover interlock de-energizes unit when front cover is removed for added safety
- Disposable air filter mounted in inlet air stream; optional permanent and washable aluminum filters available

### Robust Design

- Cabinet constructed of heavy 16-gauge cold-rolled steel to provide strength and finished with a polyester powder coating for corrosion resistance
- Motors are mounted with automatic thermal overload protection; motor fuse protection is provided on all heaters to meet safety requirements
- Comes standard with two thermal safety cutouts to automatically shut off and protect the heater in the event of overheating. Reactivates the heater when operating temperature returns to normal

\*Optional feature. Contact sales representative or factory regarding optional features available, including: built-in fan switch; 120V control, electronically controlled outside air damper; inlet and discharge duct collars; dead-front and fused dead-front disconnect switches; built-in night set back relay; and trim kits. See page 39 to find out how to order cabinet unit heaters.

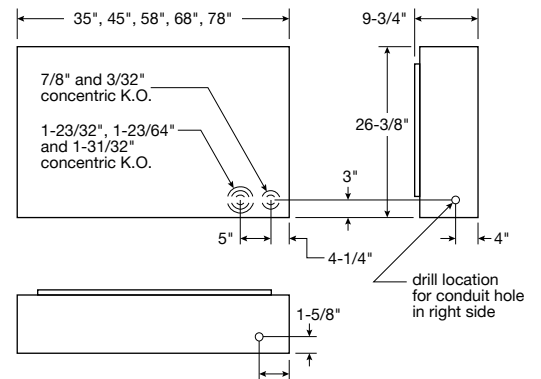
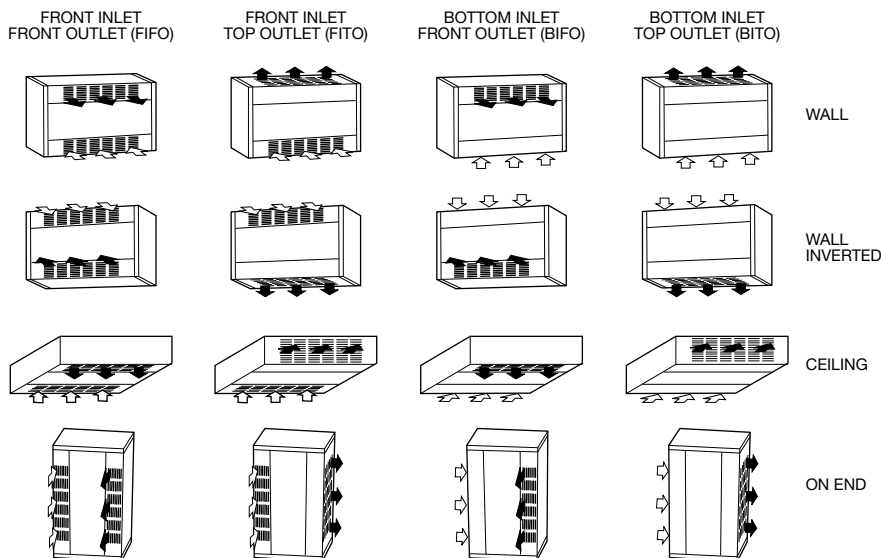


## CU900 SERIES CUSTOM CABINET UNIT HEATER

### Custom Cabinet Unit Heaters: Custom Models and Specifications

SERIES	KW	BTU/HR	FINAL AIR TEMP	CFM*	208 1 PH 60 HZ	208 3 PH 60 HZ	240 1 PH 60 HZ	240 3 PH 60 HZ	277 1 PH 60 HZ	480 3 PH 60 HZ
CU935 35 in. (L) 120 LBS.	2	6,826	85	250	10	6	9	6	8	3
	3	10,239	98		15	9	13	8	12	4
	4	13,652	111		20	12	17	10	15	6
	5	17,065	123		25	15	22	13	19	7
	6	20,478	136		30	17	26	15	22	8
	7	23,891	148		34	20	30	18	26	9
	8	27,304	161		39	23	34	20	30	10
CU945 45 in. (L) 160 LBS.	4	13,652	85	500	20	12	18	11	16	6
	6	27,478	98		30	18	26	16	23	8
	8	27,304	111		40	23	34	20	30	11
	10	34,130	123		48	29	43	25	37	13
	12	40,956	136		59	34	51	30	44	16
	14	47,782	148		68	40	59	35	52	18
	16	54,608	161		78	46	68	40	59	20
CU968 68 in. (L) 260 LBS.	15	51,195	123	750	74	44	64	38	56	20
	21	71,673	148		-	60	89	52	78	27
	24	81,912	161		-	69	-	60	-	31
CU978 78 in. (L) 300 LBS.	20	68,260	123	1,000	-	58	86	50	74	26
	24	81,912	136		-	69	-	60	-	31
	28	95,564	148		-	80	-	70	-	36
	32	109,216	161		-	91	-	79	-	41

NOTE: RED numbers represent circuit breakers or fused disconnect required. \*\*380V units will operate with a 16% reduction in heating capacity. +Based on 60°F inlet air temperature. \*Values shown is high speed.



## CU900 SERIES CUSTOM CABINET UNIT HEATER

### ACCESSORIES

CATALOG NO.	DESCRIPTION	COMPATIBLE WITH	FUNCTION	SHIP WT. (LBS)
CU935RTK	Ceiling or Wall Recess Trim Kit	CU935	Provides a neat finish to semi-recessed or full recessed application.	3
CU945RTK		CU945		4
CU958RTK		CU958		5
CU968RTK		CU968		6
CU978RTK		CU978		7
CU935BK	Floor/Toe-Space Base Kit	CU935	16 gauge, muted black base is recessed from the heater front and sides to provide an attractive and practical floor mounting application.	9
CU945BK		CU945		10
CU958BK		CU958		11
CU968BK		CU968		13
CU978BK		CU978		15
CU935AWL	100% Outside Air, Exterior Aluminum Wall Louver	CU935	Used on exterior of masonry or panel walls of 2-3/4" or greater to provide a finished exterior For heaters 100% outside dampers.	5
CU945AWL		CU945		6
CU958AWL		CU958		7
CU968AWL		CU968		9
CU978AWL		CU978		10
CU935WF	Permanent, Reusable Washable Filter	CU935	Replaces standard filter Washable filter can be cleaned and replaced.	4
CU945WF		CU945		6
CU958WF		CU958		8
CU968WF		CU968		10
CU978WF		CU978		12

### OPTIONAL FACTORY-INSTALLED ACCESSORIES

ACCESSORY	DESCRIPTION	
2-STAGE THERMOSTAT Built-or Remote	Standard	Built-in (or remote-mounted) single-pole, single-stage thermostat that cycles the element(s) and fan. Fan speed and element wattage selected by the built-in HIGH or LOW selector switch.
	Optional	Built-in (or remote-mounted) two-stage thermostat that cycles 2/3 of the element for during first stage and full heat during second stage. Fan cycles on high speed only.
SMARTSERIES® PLUS (Built-in or Remote)	Optional	Built-in (or remote mounted) two stage thermostat runs 2/3 elements on stage 1 and full heat for stage 2. Fan cycles on high speed only. Comes with BACnet BMS compatibility, scheduling, cooling mode(Fan-Only), and keypad lock.
120V CONTROL Internally Generated	Standard	Control supply is internally generated 24V. Field supplied 24V control supply can be applied to heater. (Requires removing only one jumper wire in the control panel).
	Optional	120V internally generated control voltage is available. Field supplied 120V control supply can be applied to heater. (Requires removing only one jumper wire in the control panel.)
MANUAL RESET	Standard	Heater is supplied with auto-reset over temperature cutout.
	Optional	Manual Reset over temperature cutout wired into control circuit. Supplied in addition to auto-reset cutout.
DEAD FRONT DISCONNECT SWITCH	Standard	Supply terminal block in the control compartment.
	Optional	A three pole non-fused disconnect switch disconnects power to the heater. Design prevents entry into the control compartment until disconnect switch is turned to the OFF position.
DEAD FRONT FUSED DISCONNECT SWITCH†	Standard	Supply terminal block in the control compartment.
	Optional	A three pole non-fused disconnect switch and circuit breaker(s) sized to the heater load protects heater and disconnects power to the heater. Design prevents entry into the control compartment until disconnect switch is turned to the OFF position.
ON/OFF SWITCH	Standard	No switch supplied.
	Optional	Built-in switch provides continuous fan operation with or without heat, or automatic fan cycling as the heat cycles on and off.
KEY LOCK FOR FRONT COVER	Standard	Two (2) slotted head spring latches.
	Optional	Two (2) toolhead key lock style spring latches prevent unauthorized adjustment of controls and provides additional safety from injury due to contact with internal components.
INLET OR DISCHARGE DUCT COLLAR(S)	Standard	Slotted louver grilles.
	Optional	Collars provide easy connection of field supplied duct work. We do not recommend exceeding 0.2 in. wg external static pressure. Heater with duct collars are supplied with a single speed high static motor.
ARCHITECTURAL EXTRUDED ALUMINUM GRILLES	Standard	Slotted louver grilles.
	Optional	Architectural styled extruded aluminum grille to enhance the appearance of the cabinet unit heater. This option is only available for both inlet and discharge openings ordered at the same time. Can not be ordered separately.

NOTE: † Plus price of circuit breaker \*Need to add summer fan switch and heat on/off switch. Allow 4 to 6 weeks for shipment with these options.

## CU900 SERIES CUSTOM CABINET UNIT HEATER

### HOW TO ORDER

<b>CU</b>	<b>9</b>	<b>35</b>	<b>10</b>	<b>24</b>	<b>1</b>	<b>F</b>	<b>F</b>	<b>1B</b>	<b>0</b>	<b>0</b>	<b>S</b>	<b>0</b>	<b>P</b>	<b>K</b>	<b>P</b>	<b>-</b>	<b>B</b>	<b>B</b>	<b>B</b>
<b>Catalog Prefix:</b> CU = QMark CUH = Berko	<b>Series</b>	<b>Catalog Prefix:</b> 35 = 35", 45 = 45", 68 = 68", 78 = 78"	<b>KW:</b> 02, 03, 04, 05, 06, 07, 08, 09, 10, 11, 12, 14, 15, 16, 18, 20, 21, 24, 28, 32	<b>Voltage:</b> 20 = 208V, 24 = 240V, 27 = 277V, 48 = 480V* *3-Phase Only	<b>Phase:</b> 1=1Ø, 3=3Ø	<b>Inlet Configuration:</b> F=Front, B=Bottom	<b>Outlet Configuration:</b> F=Front, T=Top	<b>Thermostat:</b> 1B (Single Stage Built In), 1R (Single Stage Remote Wall Mount), 2B (Two Stage Built In), 2R (Two Stage Remote Wall Mount), SB (SmartSeries Plus Built In), SR (SmartSeries Plus Remote)	<b>Internal Control Voltage:</b> 2 (24VAC), 1 (120VAC)	<b>Discharge Grille Finish**</b>	<b>Inlet Grille Finish**</b>	<b>Cabinet Finish**</b>	<b>Duct Collar/Grille:</b> 0=Standard Wrigley Inlet / Standard Wrigley Discharge, I=Duct Inlet / Standard Wrigley Discharge, D=Standard Wrigley Inlet / Duct Discharge, B=Duct Inlet / Duct Discharge	<b>Front Cover Lock:</b> 0=Std. Lock, K=Key Lock	<b>Intake Filter:</b> 0=Std. Throw-Away, P=Opt. Washable	<b>On-Off Switch:</b> S (Heat On/Off Switch), 0 (None), 0 (N/A-SmartSeries Controls)	<b>Disconnect Switch:</b> 0=Std. None, S=Opt. Disc. Sw., F=Opt. Fused (Circuit Breaker) Disc. Sw.	<b>Outlet Configuration:</b> C (Circuit Breaker), 0 (None)	<b>**Finish Options</b> W (White), N (Beige), A (Aluminum), S (Bronze), B (Black), U (Special Color Request)