

QMKC SERIES

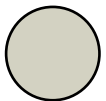
Commercial Baseboard Heater

BASEBOARD



Ideal Spaces:

Bedrooms
Living/Family Room
Kitchens
Bathrooms
Basements
Offices
Conference Rooms
Hallways
Waiting Rooms



Beige

- › Ideal for basic, zoned primary/secondary heating
- › No fans; convection heat minimizes air flow, reducing flow of bacteria and dust
- › Commercial-grade 18-gauge cold rolled front cover and brackets allow heater to withstand rigors of commercial applications
- › Steel-sheathed heating element combines the durability of a steel tubular heater with the excellent heat transfer characteristics of aluminum fins
- › Built-in wire-way facilitates end-to-end installation of continuous-run heaters
- › Large, pre-wired junction boxes at each end are provided with knockouts in the rear, bottom, inside and outside
- › High temperature safety limit for added protection in case of airflow blockage
- › Pre-notched marks for mounting guide
- › UL-listed for installation flush to any wall and flat on any floor type
- › Chimney-fin element designed for maximum air circulation
- › Air flow directed away from walls to help prevent wall streaking



QMKC SERIES

Commercial Baseboard Heater

Scan the QR code
to access additional
specs and features



Models & Specifications:

ITEM INFORMATION			ELECTRICAL DATA			DIMENSIONAL DATA	
CATALOG NO.	UPC		VOLTS	WATTS	AMPS	LENGTH	SHIP WT.
QMKC25126W	685360060460		120	500	4.2	30"	7.8 lbs
QMKC25026W	685360060163		208	500	2.4		
QMKC25426W	685360060873		240/208	500/376	2.1/1.8		
QMKC25726W	685360061320		277/240/208	500/376/282	1.8/1.6/1.4	36"	9.0 lbs
QMKC2513W	685360060514		120	750	6.5		
QMKC2503W	685360060217		208	750	3.6		
QMKC2543W	685360060927		240/208	750/564	3.1/2.7	48"	11.5 lbs
QMKC2573W	685360061375		277/240/208	750/564/423	2.7/2.4/2.0		
QMKC2514W	685360060569		120	1000	8.3		
QMKC2504W	685360060262		208	1000	4.8	60"	13.0 lbs
QMKC2544W	685360060972		240/208	1000/752	4.2/3.6		
QMKC2574W	685360061429		277/240/208	1000/752/564	3.6/3.1/2.7		
QMKC2515W	685360060613		120	1250	10.4	72"	15.5 lbs
QMKC2505W	685360060316		208	1250	6.0		
QMKC2545W	685360061023		240/208	1250/940	5.2/4.5		
QMKC2575W	685360061474		277/240/208	1250/940/705	4.5/3.9/3.4	96"	20 lbs
QMKC2516W	685360060668		120	1500	12.6		
QMKC2506W	685360060361		208	1500	7.2		
QMKC2546W	685360061078		240/208	1500/1128	6.3/5.4	96"	20 lbs
QMKC2576W	685360061528		277/240/208	1500/1128/846	5.4/4.7/4.1		
QMKC2508W	685360060415		208	2000	9.6		
QMKC2548W	685360061122		240/208	2000/1504	8.3/7.2	96"	20 lbs
QMKC2578W	685360061573		277/240/208	2000/1504/1128	7.2/6.3/5.4		
QMKC25008W	685360060118		208	2500	12.0		
QMKC25408W	685360060828		240/208	2500/1880	10.4/8.7	96"	20 lbs
QMKC25708W	685360061276		277/240/208	2500/1880/1410	9.0/7.5/6.8		

SKU Legend: ◆ = Popular Products; ● = Extended Offering (Contact your local Marley Sales Representative for typically associated lead times)

Suggested Controls



TH114A240DBA



MS26 or M601W

Filler Sections:

CATALOG NO.	UPC	DESCRIPTION	SHIP WT.
FS12	098319731500	1 ft. Filler Section	2 lbs
FS24	098319731517	2 ft. Filler Section	4 lbs
FS36	098319731524	3 ft. Filler Section	6 lbs
FS48	098319731531	4 ft. Filler Section	8 lbs
FSJ2	731548	2 in. Joiner Strip	.5 lbs

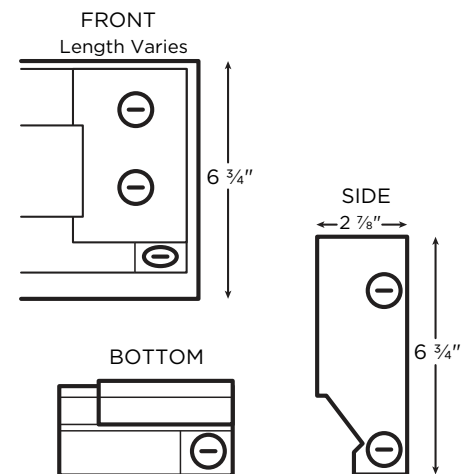
Blank Sections:

CATALOG NO.	UPC	DESCRIPTION	SHIP WT.
QMKCBA2W	685360059594	2.6 ft. Blank Section	4 lbs
QMKCBA3W	685360059617	3 ft. Blank Section	5 lbs
QMKCBA4W	685360059631	4 ft. Blank Section	7 lbs
QMKCBA5W	685360059655	5 ft. Blank Section	9 lbs
QMKCBA6W	685360059679	6 ft. Blank Section	11 lbs
QMKCBA8W	685360059693	8 ft. Blank Section	14 lbs

Optional Controls & Accessories:

CATALOG NO.	UPC	DESCRIPTION	SHIP WT.
TA1AW	098319730411	SP Thermostat, rated 22A @ 120-277V	1 lbs
TA1TPAW	098319730428	Tamper-Resistant Version of TA1AW	1 lbs
TA2AW	098319730435	DP Thermostat, rated 22A @ 120-277V	1 lbs
TA2TPAW	098319730442	Tamper-Resistant Version of TA2AW	1 lbs
HCA2415/20W	098319730466	240V Load Transfer Switch, 20A	1 lbs
HCA1215/20W	098319730459	120V Load Transfer Switch, 20A	1 lbs
RSA1224	098319714800	120V/24V Transformer Relay, 22A	1 lbs
RSA2024	098319714855	208V/24V Transformer Relay, 22A	1 lbs
RSA2424	098319714909	240V/24V Transformer Relay, 22A	1 lbs
RSA2724	098319714954	277V/24V Transformer Relay, 19A	1 lbs
RA1W	098319730473	120V Duplex Receptacle	1 lbs
DSW2W	098319730497	Double-Pole Power On/Off Switch rated 20A @ 120-277V	1 lbs
PR24	098319713674	Single-Pole Power Relay, 24VControl rated 30A @ 120-240V, 23A @ 277V	1 lbs
PR120	098319713681	Same as PR24 except with 120V Control	1 lbs
ICANW	098319730503	Inside Corner	1 lbs
RA1COMPW	098319730480	Duplex Receptacle Cover only - carton of 10	1 lbs

Dimensions and Clearances:



NOTE: For high-altitude baseboard heater (mounted above 7500 ft.), add suffix "H" to catalog number. 8 ft. length baseboards must be ordered in multiples of two pieces for shipment.