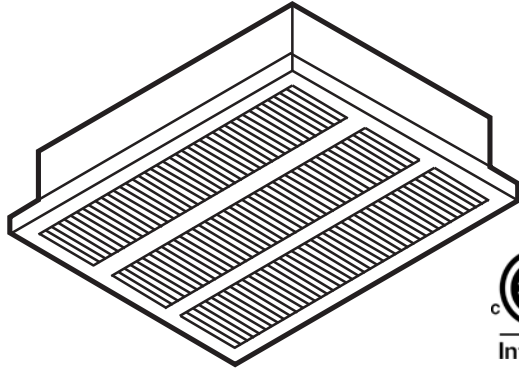




470 Beauty Spot Rd. E
Bennettsville, SC 29512

SUBMITTAL SHEET
EFF SERIES
CEILING-MOUNTED
FAN-FORCED HEATER



CAPACITIES
1500-4800 Watts
120V, 208V, 240V, 277V, 347V, 480V, 600V
Thermostat Range: 40°-90° F
Air Movement: 150 CFM
Note: 480 volts heaters are 3-phase only.

See Selection Chart for all Options

EFF SERIES - CEILING-MOUNTED FAN-FORCED HEATER

JOB NAME: _____

LOCATION: _____

ARCHITECT: _____

ENGINEER: _____

CONTRACTOR: _____

SUBMITTED BY: _____ DATE: _____

TAG/ITEM	QTY.	CATALOG NUMBER	HEATER			AMPS	WEIGHT
			KW	VOLTS	Ø		

ACCESSORIES AND CONTROLS	TAG/ITEM	QTY.	CATALOG NUMBER	DESCRIPTION

SUBMITTED BY:	DATE

APPROVED BY:	DATE

EFF SERIES ARCHITECT'S AND ENGINEER'S SPECIFICATIONS*

The heating equipment shall include a ceiling mounted EFF electric automatic fan-forced heater suitable for large area heating as manufactured by QMark® A Marley Engineered Products® Brand, Bennettsville, SC. The heater shall be designed for ceiling surface, recess or T-Bar mounting. Heaters shall be cETLus Listed.

HEATER ASSEMBLY: The heater assembly, which fits in the back box, shall consist of a fan panel upon which is mounted all of the operational parts of the heater.

HEATING ELEMENT: The heating element shall be of the non-glowing design consisting of 80/20 NiCh resistance wire enclosed in a steel sheath to which plate fins are copper brazed. It shall be warranted for 5 years.

FAN AND FAN MOTOR: The fan shall be five-bladed aluminum. The fan motor shall be totally enclosed.

FAN DELAY SWITCH: Fan control shall be of bi-metallic, snap-action type and shall activate fan after heating element reaches operating temperature. The fan shall continue to operate after the thermostat is satisfied and until the heating element is cool.

THERMAL CUTOUT: A thermal cutout shall be built into the system to shut off the heater in the event of overheating.

DISCONNECT SWITCH: A double-pole single throw disconnect switch shall be mounted on the back box for positive disconnect of power supply. It will be completely concealed behind the faceplate.

BACK BOX: The back box shall be designed for duty as a recessed rough-in box either masonry or frame installations, and is also used with the surface mounting frame in surface mounting installations. The back box shall be 20- gauge galvanized steel and shall contain knockouts through which power leads are brought.

FACEPLATE: The louvered faceplate shall be of 14-gauge cold-rolled steel, phosphatized, then electrostatically painted Navajo White by a powder coat process. A ¼-inch mesh screen shall be installed beneath the faceplate to deter the insertion of foreign objects. The face plate shall be secured to the heating unit with tamper-resistant screws.

THREE-PIECE DESIGN: The heater shall be made up of a back box, a heater assembly and a faceplate.

OPTIONS:

THERMOSTAT: The optional tamper-resistant thermostat shall be of the bi-metallic, snap-action type with enclosed contacts. It shall be completely concealed behind the faceplate to become tamper-resistant (EFFT1 or EFFT2).

LOW VOLTAGE TIME DELAY RELAYS: 24 volt and 120 volt low voltage time delay relays are available as optional equipment to control 208, 240 or 277 volt heaters (with an external supplied 24 or 120 volt control circuit) in conjunction with central energy control systems. The built-in thermostat can then be used as one of the thermostats in an automatic night set back operation (EFFR2 or EFFR12).

LOW VOLTAGE

TRANSFORMER/RELAYS: (Primary or Secondary) Transformer/Relays shall be available as optional equipment to control 208, 240 or 277 volt heaters (with single point supply connection and internal supplied 24 volt control circuit) in conjunction with central energy control systems. The built-in thermostat can then be used as one of the thermostats in an automatic night set back operation (EFFTR4 OR EFFTR7).

SURFACE MOUNTING FRAME: The surface mounting frame, designed to allow full surface mounting, shall be of 14-gauge cold-rolled steel, phosphatized, then electrostatically painted by a powder coat process (EFFSM).

T-BAR FRAME: For T-Bar mounting, a 14-gauge cold-rolled steel frame, phosphatized and electrostatically painted by a powder coat process, shall be available. Frame shall be designed to mount in a standard 2' x 2' ceiling grid (EFFTBF).

*QMark reserves the right to change specifications without prior notice.

Models & Specifications:

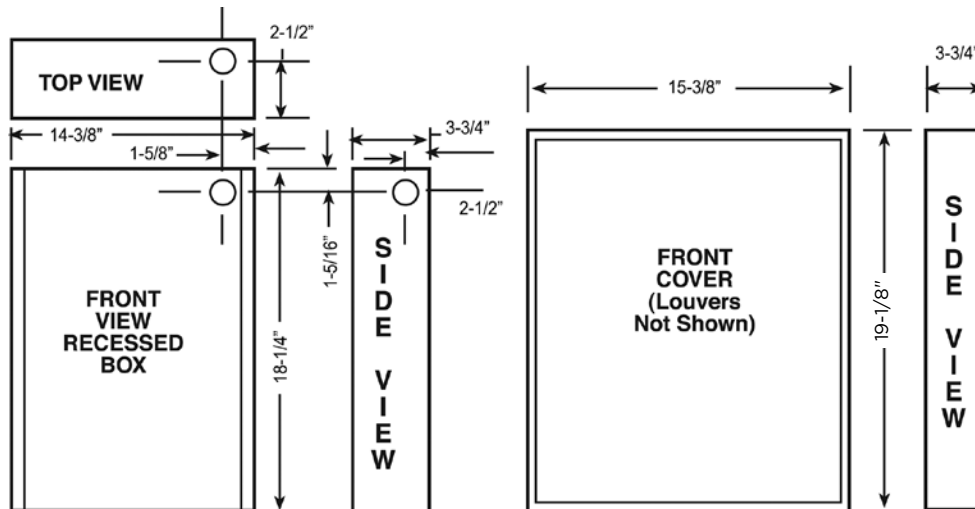
CATALOG NO.	UPC	ELECTRICAL DATA					SHIP WT.
		VOLTS	PHASE	WATTS	AMPS	BTU/HR	
EFF1500	685360148106	120	1	1500	12.5	5120	23 lbs
EFF3007	68536059075	277	1	3000/1500	10.8/5.4	10239/5120	23 lbs
EFF4008	68536059136	208	1	4000/2000	19.2/9.8	13652/6826	23 lbs
EFF4004	68536059099	240	1	4000/2000	16.7/14.4	13652/10239	23 lbs
		208	1	3000/1500		10239/5120	
EFF4007	68536059129	277	1	4000/2000	14.4/12.5	13652/10239	23 lbs
		240	1	3000/1500		10239/5120	
EFF4804	68536059167	240/208	1	4800/3600	20.0/17.3	16382/12287	23 lbs
EFF4807	68536059198	277/240	1	4800/3600	17.3/15.0	16382/12287	23 lbs
EFF48483	685360155845	480	3	4800	5.8	16382	23 lbs
EFF48483LV	685360155869	480	3	4800	5.8	16382	23 lbs
EFF3003	68536021089	347	3	3000	8.6	10239	23 lbs
EFF3006	68536021096	600	3	3000	5	10239	23 lbs
EFF4003	68536021119	347	3	4000	11.5	13652	23 lbs
EFF4006	68536021140	600	3	4000	6.7	13652	23 lbs
EFF4803	68536021188	347	3	4800	13.8	16382	23 lbs
EFF4806	68536021218	600	3	4800	8	16382	23 lbs

NOTE: Factory-wired for highest wattage, field-convertible to lower wattages. Orders above 7500' sea level require special order

Optional Accessories:

CATALOG NO.	UPC	DESCRIPTION	SHIP WT.
EFFSM	685360020983	Surface Mounting Sleeve - Navajo White	6 lbs
EFFR2 (24V)	685360020976	Time delay relay, 45-60 seconds to close when energized; Uses remote 24V or 120V power source	1 lbs
EFFR12 (120V)	685360020969		
EFFTBF	685360020990	T-Bar Frame Kit	4.5 lbs
EFFT1	685360021027	Single Pole T-Stat. (Field Installed)	1 lbs
EFFT2	685360021034	Double Pole Thermostat. (Field Installed)	2 lbs
EFFTR4	685360021003	208/240V Primary Transformer 24V Relay	1 lbs
EFFTR7	685360021010	277V Primary 24V Sec. Transformer Relay	1 lbs

Dimensions and Clearances:



No matter the industry or application, Marley Engineered Products has a robust portfolio of innovative, reliable, high-performance comfort heating and ventilation solutions for all your heating needs.

For more information or assistance on your next project, contact Technical Services at 800-642-4328

Scan the QR code to access additional specs and features



Approvals: _____