

ASL3 & ASL5 SERIES

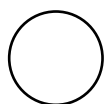
Architectural Sill-Height Convector

CONVECTORS

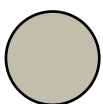


Ideal Spaces:

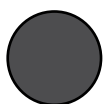
Living Rooms
Bedrooms
Offices
Hallways & Lobbies
Condos
Conference Rooms;
Retail Spaces
Floor-to-Ceiling Curtain Walls



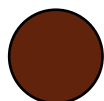
White



Beige



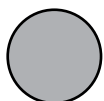
Charcoal Grey



Bronze



Black



Aluminum



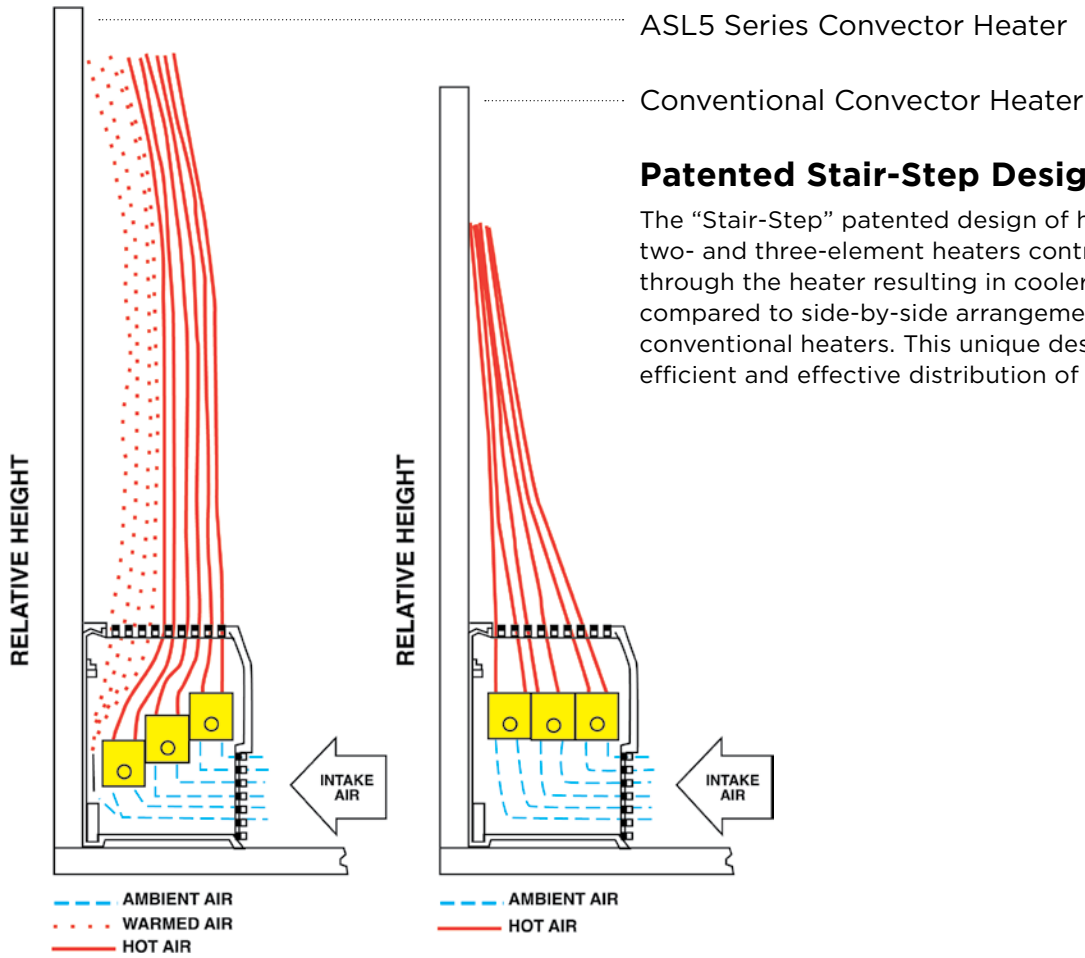
Custom and/or Anodized
Colors also Available

- › ASL3 Series is approved for residential applications
- › Patented “Stair-Step” SHA heating element design accommodates a multitude of applications and heating needs (see diagram on next page)
- › Unique two-piece extruded aluminum “Snap-Lock” closure design secures the one-piece top and front grilles to the one-piece back and bottom providing a rapid, secure fit along the length of the unit
- › Front/bottom inlet air grille utilizes slots which create an attractive installation where inlet grille is visible
- › Blend into any décor with custom paint and anodizing upon request
- › Units can be mounted on floor, wall, or pedestals
- › Customize space with wall-to-wall installation, or as discrete units in standard lengths of 28 in. to 12 ft.
- › Units are available in a wide range of heating capacities per foot length (see specifications)
- › Architectural-style end sections give a finished look when used as a stand-alone or where a wall-to-wall run is not desired
- › Inside and outside corners can be ordered factory-cut and mitered to fit difficult or unusual spaces
- › Right -or left-hand entry and built-in wireway (equivalent to ¾ in. conduit) with factory-installed wiring
- › Full line of trim accessories, including matching blank sections, end caps, filler sections, inside and outside corners, diagonal end sections, and splice plates
- › Optional built-in controls include: line-voltage thermostat; two-stage thermostat; on/off switch; transformer relay; power relay and pneumatic/switch
- › Easy connection of supply wiring from bottom, rear or end, as well as multiple wiring of adjacent heaters from one entry point
- › Thermal limit switch with linear type (full length) sensing bulb provides constant protection against overheating. Switch will automatically reset when normal operating temperatures are restored
- › Discharge air openings in top grille are punched slots which are pencil-proof for safety

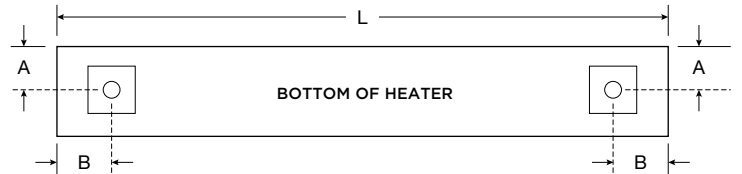
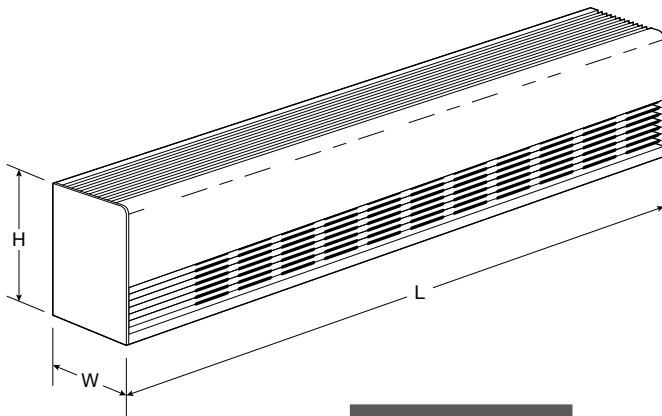


ASL3 & ASL5 SERIES

Architectural Sill-Height Convectors



Dimensions and Clearances:



Dimensions			
Cat. No.	H	W	L
ASL3	6"	3 5/8"	28"-12'
ASL5	7"	5 5/8"	28"-12'

Standard Pedestal Placement		
Cat. No.	A	B
ASL3	2"	2 1/4"
ASL5	2 13/16"	2 1/4"

ASL3 & ASL5 SERIES

Architectural Sill-Height Convectors

ASL3 & ASL5 (1 Element) Lengths

<i>Length</i>	28"	3'	4'	5'	6'	7'	8'	9'	10'
<i>Shipping Weight</i>	8 lbs	10 lbs	13 lbs	17 lbs	20 lbs	24 lbs	27 lbs	30 lbs	33 lbs

NOTE: Cabinet available up to 12 ft. length. Custom length cabinets are priced with heater and blank to the next larger size. Backs are provided standard with no finish. For finished backs, add 10% to list price. Knockouts on back omitted by request only. All models are NON-STOCK made-to-order. When ordering, specify quantity, catalog number, voltage, wattage, optional controls, and color. Consult sales representative for lead times.

Watts per Ft.*

100	125	150
188	250	

Voltages*

120	208	240	277
480	347	600	

ASL5 (Multiple Elements) Lengths

<i>Length</i>	28"	3'	4'	5'	6'	7'	8'	9'	10'
<i>Shipping Weight</i>	12 lbs	15.5 lbs	20 lbs	25.5 lbs	30 lbs	35 lbs	40 lbs	45 lbs	50 lbs

NOTE: Cabinet available up to 12 ft. length. Custom length cabinets are priced with heater and blank to the next larger size. Backs are provided standard with no finish. For finished backs, add 10% to list price. Knockouts on back omitted by request only. All models are NON-STOCK made-to-order. When ordering, specify quantity, catalog number, voltage, wattage, optional controls, and color. Consult sales representative for lead times.

Watts per Ft. — 2 Elements*

375	500
-----	-----

Voltages — Single Phase*

208	240	277	347	600
-----	-----	-----	-----	-----

Watts per Ft. — 3 Elements*

600	750
-----	-----

Voltages — Three Phase*

208	240	600
-----	-----	-----

*Specs vary by length. Reference the submittal sheet or additional detail

Optional Built-In Controls:

SUFFIX*	OPTIONAL BUILT-IN CONTROL	RATINGS & DESCRIPTION
T	Single-Pole Thermostat	Rated 25 amps @ 120-240 VAC and 22 amps @ 277 VAC. Pilot duty rating of 125 VA (all voltages). 60-120°F temperature range; adjustable through outlet grille-tamper-resistant. (See Note B) Not available on three-phase heaters.
2T	Double-Pole Thermostat	Rated 25 amps @ 120-240 VAC and 22 amps @ 277 VAC. Pilot duty rating of 125 VA (all voltages). 60-120°F temperature range; adjustable through outlet grille-tamper-resistant. (See Note B for amperage restrictions.)
DS	Power On/Off Switch	Double-pole, rated 20 amp @ 120-277 VAC. (See Note A) For three-phase heaters and single-phase heaters over 20 amps specify two.
TR	Transformer Relay	Single-pole, low voltage relay with built-in transformer (24 VAC control), rated 22 amps @ 120-240 VAC and 22 amps @ 277 VAC. (See note E) 17 amps @ 347V. Not available on three-phase heaters.
PR	Power Relay	Single-pole thermal time delay relay, rated 25 amps @ 120-600 VAC. (See Notes E & F). Specify control voltage.
2ST	2-Stage Thermostat	Rated 24 amps @ 120-240 VAC and 22 amps @ 277 VAC. Pilot duty rating of 125 VA (all voltages). 60-120°F temperature range, adjustable through outlet grille-tamper-resistant. Available on 2- or 3-element, single-phase heaters only.
PDT	Single-Pole Thermostat	Same as -T except Pilot Duty. (See Note C)
2TPD	Double-Pole Thermostat	Same as -2T except Pilot Duty. (See Note C & D)
M	Outlet Mesh	Price per foot

NOTE: *Addition To Basic Catalog No. (See Note D)

A. For single-phase loads over 20A and all three-phase loads, specify (2) power on/off switches. **B.** This control option is not available on single-phase heaters over 25 amps (22 amps on 277 VAC). In combination with the power on/off switch option use the 2ST thermostat option on heaters over 20 amps. **C.** A second transformer relay can be sequenced off the first transformer relay in the same heater. Up to 30 power relays in different heaters can be controlled by (1) single-stage pilot duty thermostat. **D.** Up to 30 power relays in different heater can be controlled by each stage of a two-stage pilot duty thermostat. **E.** Two relays are required on single-phase heaters over 20 amps with a power on/off switch, over 25 amps without a power on/off and on all three-phase heaters. Two relays are available for two-stage on two- or three-element heaters only. **F.** Three power relays are available for three-stage on three-element heaters only.

Reference Marley Catalog and Submittals for additional control option details.

ASL3 & ASL5 SERIES

Architectural Sill-Height Convectors

Blank Sections & Accessories — ASL3 Series:

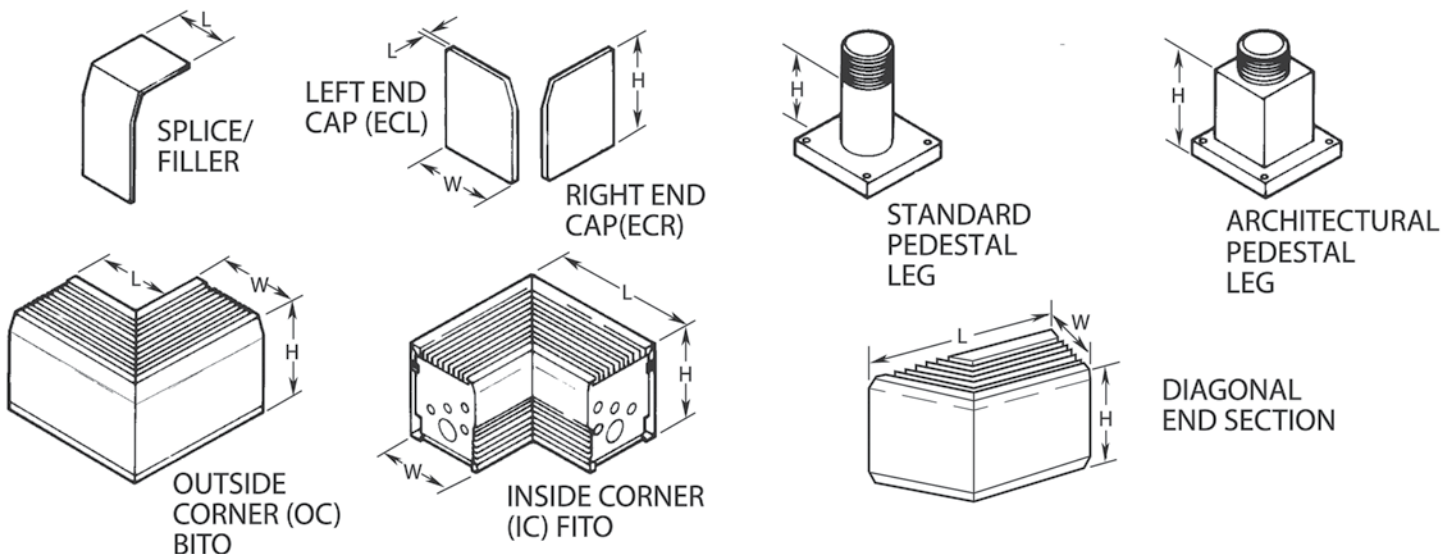
CATALOG NO.	DIMENSIONS (W x H x L)	INLET	SHIP WT.	CATALOG NO.	DESCRIPTION	ADDITIONAL SPACE REQUIRED	SHIP WT.
ASL3BS1F	3 3/8" x 6" x 1'	Front	4 lbs	ASL3ECLS	End Cap w/Screws - Left		
ASL3BS1B		Bottom		ASL3ECRS	End Cap w/Screws - Right		
ASL3BS2F	3 3/8" x 6" x 28"	Front	7 lbs	ASL31CF	Inside Corner-Front In	8 1/2"	5 lbs
ASL3BS2B		Bottom		ASL31CB	Inside Corner-Bottom In	8 1/2"	5 lbs
ASL3BS3F	3 3/8" x 6" x 3'	Front	9 lbs	ASL3OCF	Outside Corner-Front In	5"	4 lbs
ASL3BS3B		Bottom		ASL3OCB	Outside Corner-Bottom In	5"	4 lbs
ASL3BS4F	3 3/8" x 6" x 4'	Front	12 lbs	ASL3135ICF	135° Inside Corner-Front In	8 1/2"	5 lbs
ASL3BS4B		Bottom		ASL3135ICB	135° Inside Corner-Bottom In	8 1/2"	5 lbs
ASL3BS5F	3 3/8" x 6" x 5'	Front	16 lbs	ASL3135OCF	135° Outside Corner-Front In	5"	4 lbs
ASL3BS5B		Bottom		ASL3135OCB	135° Outside Corner-Bottom In	5"	4 lbs
ASL3BS6F	3 3/8" x 6" x 6'	Front	19 lbs	ASL3DESB	Dec. End Section-Bottom In, Left	9 3/4"	5 lbs
ASL3BS6B		Bottom		ASL3DESB	Dec. End Section-Bottom In, Right		5 lbs
ASL3BS7F	3 3/8" x 6" x 7'	Front	22 lbs	ASL3DESFL	Dec. End Section-Front In, Left		4 lbs
ASL3BS7B		Bottom		ASL3DESFR	Dec. End Section-Front In, Right		4 lbs
ASL3BS8F	3 3/8" x 6" x 8'	Front	24 lbs	ASL3SP	Splice Plate	0-1/4"	1 lbs
ASL3BS8B		Bottom		ASL3FL3	Filler Section 3 in.	0-3"	1 lbs
ASL3BS9F	3 3/8" x 6" x 9'	Front	27 lbs	ASL3FL6	Filler Section 6 in.	3-6"	1 lbs
ASL3BS9B		Bottom		ASL3FL9	Filler Section 9 in.	6-9"	1 lbs
ASL3BS10F	3 3/8" x 6" x 10'	Front	30 lbs	ASL3FL12	Filler Section 12 in.	9-12"	1 lbs
ASL3BS10B		Bottom		ASL3-FL18	Filler Section 18 in.	15-18"	1.5 lbs
				ASL3DRF	Receptacle Section-Front In	4 1/2"	1.5 lbs
				ASL3DRB	Receptacle Section-Bottom In		
				ASL3PEF	Pneu/Ele Sw-Fnt. In	4 1/2"	2 lbs
				ASL3PEB	Pneu/Ele Sw-Bot. In		
				PK3S*	Standard Pedestal 2 3/8 in. (H)	-	2 lbs
				PK3A*	Architectural Pedestal 2 3/8 in. (H)	-	2 lbs
				SO1A	Stand-Off Bracket	-	1 lbs

NOTE: Blank section grilles are not punched unless requested.

*One pedestal. Two required on units up to 10 ft, three required on units over 10ft.

**Add suffix -P for painted followed by the color code (i.e. W for White, B for Black, etc.), -C for clear anodized, -B for bronze anodized (excludes PK3S—Black only).

*** All Stand-off Brackets come standard as Beige.



ASL3 & ASL5 SERIES

Architectural Sill-Height Convectors

Scan the QR code
to access additional
specs and features



Blank Sections & Accessories — ASL5 Series:

CATALOG NO.	DIMENSIONS (W x H x L)	INLET	SHIP WT.
ASL5BS1F	5 3/8" x 7" x 1'	Front	7 lbs
ASL5BS1B		Bottom	
ASL5BS2F	5 3/8" x 7" x 28"	Front	11 lbs
ASL5BS2B		Bottom	
ASL5BS3F	5 3/8" x 7" x 3'	Front	14 lbs
ASL5BS3B		Bottom	
ASL5BS4F	5 3/8" x 7" x 4'	Front	18 lbs
ASL5BS4B		Bottom	
ASL5BS5F	5 3/8" x 7" x 5'	Front	22 lbs
ASL5BS5B		Bottom	
ASL5BS6F	5 3/8" x 7" x 6'	Front	27 lbs
ASL5BS6B		Bottom	
ASL5BS7F	5 3/8" x 7" x 7'	Front	32 lbs
ASL5BS7B		Bottom	
ASL5BS8F	5 3/8" x 7" x 8'	Front	37 lbs
ASL5BS8B		Bottom	
ASL5BS9F	5 3/8" x 7" x 9'	Front	40 lbs
ASL5BS9B		Bottom	
ASL5BS10F	5 3/8" x 7" x 10'	Front	44 lbs
ASL5BS10B		Bottom	

CATALOG NO.	DESCRIPTION	ADDITIONAL SPACE REQUIRED	SHIP WT.
ASL5ECLS	End Cap w/Screws - Left		
ASL5ECRS	End Cap w/Screws - Right		
ASL5ICF	Inside Corner-Front In	10"	11 lbs
ASL5ICB	Inside Corner-Bottom In	10"	11 lbs
ASL5OCF	Outside Corner-Front In	5"	7 lbs
ASL5OCB	Outside Corner-Bottom In	5"	7 lbs
ASL5135ICF	135° Inside Corner-Front In	10"	11 lbs
ASL5135ICB	135° Inside Corner-Bottom In	10"	11 lbs
ASL5135OCF	135° Outside Corner-Front In	5"	7 lbs
ASL5135OCB	135° Outside Corner-Bottom In	5"	7 lbs
ASL5DESB	Dec. End Section-Bot. In, Left	12 1/2"	11 lbs
ASL5DESB	Dec. End Section-Bot. In, Right		11 lbs
ASL5DESFL	Dec. End Section-Front In, Left		7 lbs
ASL5DESFR	Dec. End Section-Front In, Right		7 lbs
ASL5SP	Splice Plate	0-1/4"	1 lbs
ASL5FL3	Filler Section 3 in.	0-3"	1 lbs
ASL5FL6	Filler Section 6 in.	3-6"	1 lbs
ASL5FL9	Filler Section 9 in.	6-9"	2 lbs
ASL5FL12	Filler Section 12 in.	9-12"	3 lbs
ASL5-FL18	Filler Section 18 in.	15-18"	5 lbs
ASL5DRF	Receptacle Section-Front In	4 1/2"	2 lbs
ASL5DRB	Receptacle Section-Bottom In		
PK5S*	Standard Pedestal 4 1/8 in. (H)	-	2 lbs
PK5A*	Architectural Pedestal 4 1/8 in. (H)	-	2 lbs
SO1A***	Stand-Off Bracket	-	1 lbs

NOTE: Blank section grilles are not punched unless requested.

*One pedestal. Two required on units up to 10 ft., three required on units over 10ft.

**Add suffix -P for painted followed by the color code (i.e. W for White, B for Black, etc.), -C for clear anodized, -B for bronze anodized (excludes PK5S—Black only).

***All Stand-off Brackets come standard as Beige.

