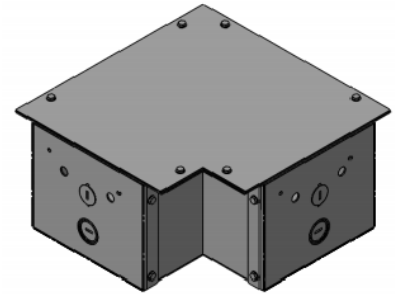




**Marley**<sup>®</sup>  
Engineered Products

BLANK ASSEMBLIES	
12-IN	2708-11004-006
18-IN	2708-11004-005
2-FT	2708-11004-001
3-FT	2708-11004-002
4-FT	2708-11004-003
5-FT	2708-11004-004



Conforms to ANSI/UL 2021  
and CSA C22.2, NO. 46

**THX**  
Trench Heater

**ACCESSORIES**

CORNER ASSEMBLIES	
90-DEG	1419-11001-002
120-DEG	TBD
135-DEG	TBD
CUSTOM	TBD

# Installation, Operation & Maintenance Instructions

## IMPORTANT INSTRUCTIONS

 **WARNING** 

WHEN USING ELECTRICAL APPLIANCES, BASIC PRECAUTIONS SHOULD ALWAYS BE FOLLOWED TO REDUCE THE RISK OF FIRE, ELECTRIC SHOCK, AND INJURY TO PERSONS.

**TO REDUCE THE RISK OF FIRE AND ELECTRIC SHOCK OR INJURY TO PERSONS, OBSERVE THE FOLLOWING:**

PRECAUTIONS:

1. Read all instructions before installing or using the heater.
2. Adjacent heater is hot when in use. To avoid burns, do not let bare skin touch hot surfaces. Keep combustible materials, such as furniture, pillows, bedding, papers, clothes, etc. and curtains away from heater. Curtain should be at least 1 foot (305mm) minimum above heater.
3. To prevent a possible fire, do not block air intakes or exhaust from adjacent heaters in any manner.
4. Serious injury or death could result from electric shock. Verify the electrical power supply energizing the heater is disconnected at the main disconnect or service panel before installing or servicing this heater.
5. Do not operate any heater after it malfunctions. Disconnect power at service panel and have heater inspected by a reputable electrician before reusing.
6. Do not use outdoors.
7. Before installation of accessory, disconnect heater by turning controls to off, and turning off power to heater circuit at main disconnect panel.
8. Use this heater/accessory only as described in this manual. Any other use not recommended by the manufacturer may cause fire, electric shock, or injury to persons.
9. Serious injury or death could result from electric shock. Verify the electrical power supply energizing the heater is disconnected at the main disconnect or service panel before installing this accessories.

**SAVE THESE INSTRUCTIONS**

## INSTALLATION WITH MULTIPLE UNITS WITH ACCESSORIES

**NOTE:** Directions below assume that the units will be connected in parallel and fed from a single supply breaker connected to one unit. If not, follow directions for installation of a single unit. **DO NOT CONNECT MULTIPLE UNITS IN SERIES AS THEY WILL NOT GENERATE NAMEPLATE WATTAGE.**

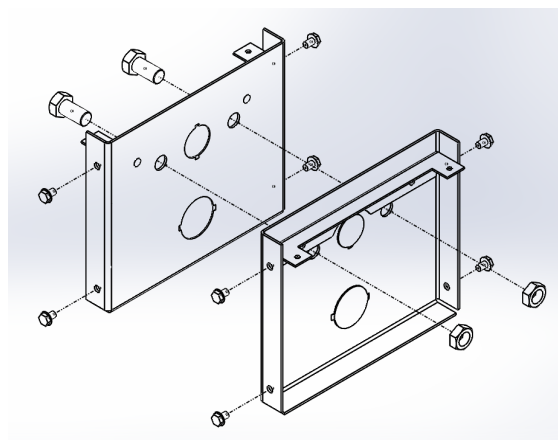
**NOTE:** For ease of installation, it is important that the sequence indicated below be followed in order.

1. Check the heater section dimensions and the additional wall length required for filler sections or blank sections before starting wall-to-wall type installation. Be certain all heaters and accessories needed are at hand and are of correct finish.
2. Remove accessory from carton and discard packing pads and plastic wrap.
3. If grille assembly is attached to top of accessory, remove attachment screws to remove the grille assembly. See Figure 9 of heater installation manual. If grille is in separate carton, set it aside temporarily. If the accessory is not accessible after installation, do not put wire splices inside accessory per NEC code.
4. Remove installation cover from top of accessory by removing the respective attachment screws.
5. Remove appropriate electrical knockouts from the end cap in which the power supply connections are to be made. See Figures 4a & 4b of heater installation manual for location of knockouts. Use knock out connectors to protect wire.
6. Size the field installed wiring based on unit's current usage and the NEC code requirements.
7. Place accessories in mounting positions and check for evenness of floor. Adjust leveling legs as necessary. The corner may require connection to adjacent heaters or blanks to finalize leveling. Do not attempt to use mounting screws to level units.

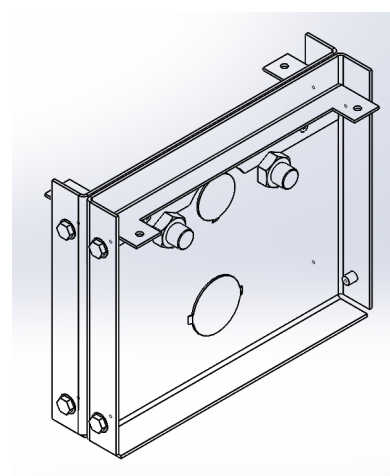
Directions 8 through 11 applies to straight accessory assemblies, not corner accessory assemblies.

8. If using flange hung mount, mark location of mounting holes. See Figure 3 of heater installation manual for recommended mounting hole locations. Remove accessories from sub-floor temporarily.
9. Drill mounting holes in sub-floor area.
10. Reposition accessory units in floor.
11. Mount the accessories in the floor using screws, bolts, or anchors (by installer) which suit the floor construction. Alignment bolts (by installer) can be inserted in adjoining end corners of housings to maintain alignment between units. See Figures 10a, 10b, & 10d for details.
12. Ground the adjacent heaters and accessories at each end of the string using the ground wires provided.
13. The installation cover should be used until risk of damage from other building construction is low. Fasten with six screws. Otherwise, go on to next step.
14. Fasten grille assembly where applicable to drop box assembly with screws provided.

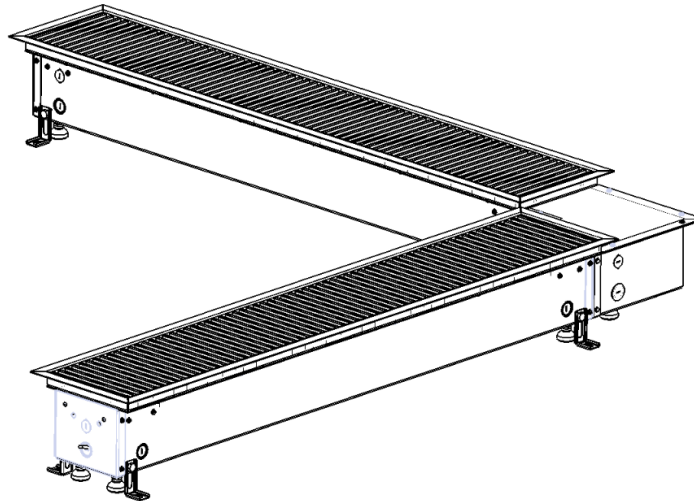
**Figure 10a: Exploded end connect**



**Figure 10b: completed end connect**



**Figure 10d: Completed corner assembly with adjacent heaters**



**Refer to heater installation manual for further instructions.**

### **Mounting Restrictions**

1. Units are for in-floor use only.
2. Flush-mount trim package must be flush with flooring. Low profile carpet, if used, is recommended. Floor may be brought to edge of unit.
3. Flange hung units may rest on top of flooring, including carpeting and linoleum. See Figure 14 of heater instruction manual.
4. Rear long edge must be 6" from wall, minimum.
5. Side short edge must be 6" from wall, minimum.

**For alternate mounting methods and operating instructions, refer to trench heater instruction manual.**

#### **LIMITED WARRANTY**

All products manufactured by Marley Engineered Products are warranted against defects in workmanship and materials for one year from date of installation, except heating elements which are warranted against defects in workmanship and materials for five years from date of installation. This warranty does not apply to damage from accident, misuse, or alteration; nor where the connected voltage is more than 5% above the nameplate voltage; nor to equipment improperly installed or wired or maintained in violation of the product's installation instructions. All claims for warranty work must be accompanied by proof of the date of installation.

The customer shall be responsible for all costs incurred in the removal or reinstallation of products, including labor costs, and shipping costs incurred to return products to Marley Engineered Products Service Center. Within the limitations of this warranty, inoperative units should be returned to the nearest Marley authorized service center or the Marley Engineered Products Service Center, and we will repair or replace, at our option, at no charge to you with return freight paid by Marley. It is agreed that such repair or replacement is the exclusive remedy available from Marley Engineered Products.

THE ABOVE WARRANTIES ARE IN LIEU OF ALL OTHER WARRANTIES EXPRESSED OR IMPLIED, AND ALL IMPLIED WARRANTIES OF MERCHANTABILITY AND FITNESS FOR A PARTICULAR PURPOSE WHICH EXCEED THE AFORESAID EXPRESSED WARRANTIES ARE HEREBY DISCLAIMED AND EXCLUDED FROM THIS AGREEMENT. MARLEY ENGINEERED PRODUCTS SHALL NOT BE LIABLE FOR CONSEQUENTIAL DAMAGES ARISING WITH RESPECT TO THE PRODUCT, WHETHER BASED UPON NEGLIGENCE, TORT, STRICT LIABILITY, OR CONTRACT.

Some states do not allow the exclusion or limitation of incidental or consequential damages, so the above exclusion or limitation may not apply to you. This warranty gives you specific legal rights, and you may also have other rights which vary from state to state.

For the address of your nearest authorized service center, contact Marley Engineered Products in Bennettsville, SC, at 1-800-642-4328. Merchandise returned to the factory must be accompanied by a return authorization and service identification tag, both available from Marley Engineered Products. When requesting return authorization, include all catalog numbers shown on the products.

#### **HOW TO OBTAIN WARRANTY SERVICE AND WARRANTY PARTS PLUS GENERAL INFORMATION**

- |                                |   |
|--------------------------------|---|
| 1. Warranty Service or Parts   | <b>1-800-642-4328</b>   |
| 2. Purchase Replacement Parts  | <b>1-800-654-3545</b>   |
| 3. General Product Information | <b><a href="http://www.marleymep.com">www.marleymep.com</a></b> |

When obtaining service always have the following:

1. Model number of the product
2. Date of manufacture
3. Part number or description



**470 Beauty Spot Rd. East  
Bennettsville, SC 29512 USA**