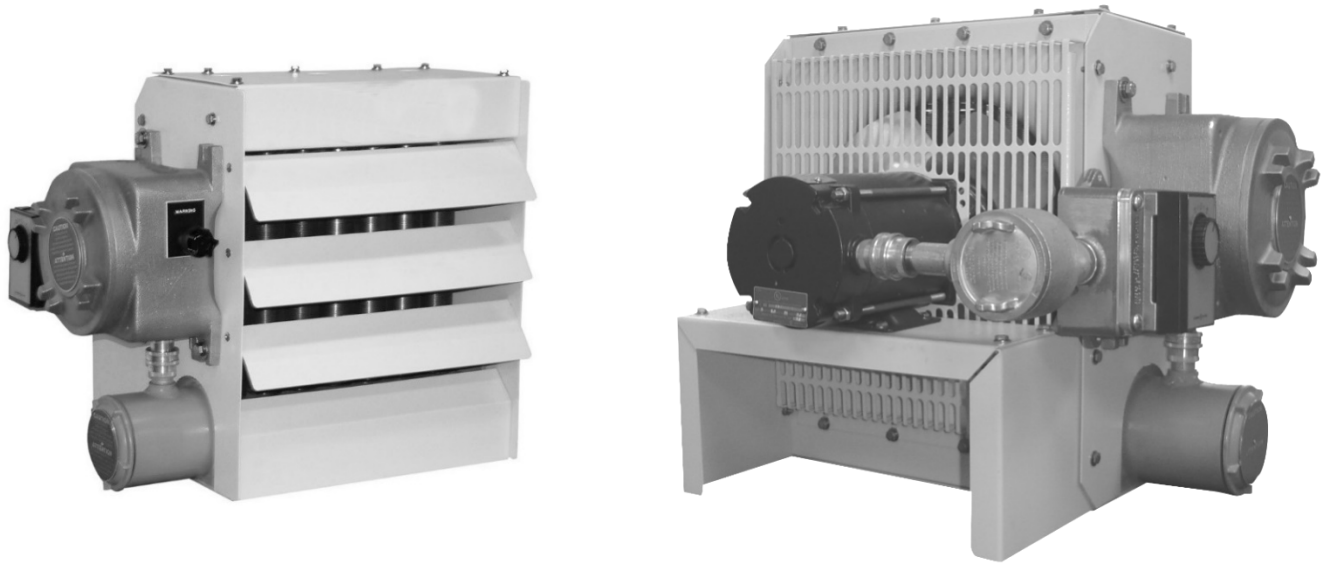




Owner's Manual

Electric Forced Air Heater for Hazardous Locations



This manual covers installation, maintenance and repair parts.

CSA Approved for the following classified areas:

Class I, Divisions 1 & 2, Groups C & D

Class II, Divisions 1 & 2, Groups F & G

Operating Temperature Code T3C - 320°F (160°C)

Alternate Markings: Class I, Zones 1 & 2, Group IIB, T3 or T(160)

or

Class I, Divisions 1 & 2, Groups C & D

Class II, Divisions 1 & 2, Groups E, F & G

Operating Temperature Code T3C - 320°F (160°C)

Alternate Markings: Class I, Zones 1 & 2, Group IIB T3 or T(160)

See Data Plate for Specific Area Classification

For details on the particular hazardous environments having the potential for explosion, refer to Articles 500 through 516 of the National Electric Code, and/or Section 18 of the Canadian Electric Code, Part I.



WARNINGS

Installation and maintenance personnel should familiarize themselves with this manual and all the **WARNINGS** before installing or working on this heater to avoid potential hazardous conditions, severe property damage, personal injury or death.

1. To reduce the risk of ignition of hazardous atmospheres: Do not install where the operating temperature code limit exceeds the ignition temperature of the hazardous atmosphere.
2. Potentially lethal voltages are present. Be sure to lock the branch circuit disconnect switch in the OFF position and tag the circuit "Out for Maintenance" before working on this equipment.
3. Keep electrical enclosure covers tightly closed while in operation.
4. Hazard of Electric Shock. Heater must be grounded in accordance with the N.E.C. and/or C.E.C.
5. This heater should be installed by qualified personnel familiar with the National Electric Code and/or the Canadian Electrical Code requirements for hazardous locations. It is the responsibility of the installer to verify the safety and suitability of the installation.
6. Disassembly of the unit, for installation, is not required or authorized.
7. When connecting the room thermostat, be sure that the thermal cutouts remain connected in series with the controlling contactor. The unit must not operate without the thermal cutouts properly connected in the circuit.
8. Do not attempt to install a "Fan Only" switch on a standard unit heater and do not try to field modify a standard unit heater for this option. The heater must have been ordered for this option to have the necessary internal controls.
9. Replacement of electrical components should only be done by qualified personnel familiar with the requirements of maintaining electrical equipment in hazardous locations.
10. Replacement electrical components must be obtained from the factory in order to maintain the hazardous location rating.
11. The heat exchanger is a factory vacuum-sealed unit. Do not attempt to loosen or tighten any of the fill or drain plugs or attempt to operate the pressure relief valve. A loss of vacuum could cause nuisance tripping of the cutouts or high pressures which will cause the relief valve to actuate with an accompanying loss of liquid. Should leakage occur, remove unit from service and investigate cause.
12. The heat exchanger is filled with a mixture of water and inhibited propylene glycol. Contact with the fluid at operating temperatures may produce a burn hazard. The Material Safety Data sheets indicate that there is not a health hazard from coming in contact with the inhibited propylene glycol. Suggested first aid consists of flushing eyes with plenty of water and to wash off skin in flowing water or a shower.
13. Install and operate in an upright position only. Failure to comply will cause the overtemperature thermal cutouts to trip.
14. Installation minimum mounting clearances on nameplate must be maintained.
15. Use copper wire for supply connections according to size and rating on nameplate.
16. Do not attempt to override louver stops or operate unit with louvers fully closed.
17. "Warning Light", if supplied, will turn on if the high temperature thermal cutout opens. This could result if the heat exchanger is dirty, inlet air is obstructed, vacuum loss in heat exchanger, fan not turning or incorrect supply voltage. Disconnect power to unit before servicing.
18. Crackling noises within the heat exchanger at startup are normal.

WARRANTY WILL BE VOID IF INSTRUCTIONS ARE NOT FOLLOWED.

GENERAL

The air heaters are designed for comfort heating and should not be used in ambient temperatures exceeding 104°F (40°C). The units may be wall, pole or ceiling mounted. They utilize a hermetically sealed, liquid-to-air heat exchanger containing immersion type electric heating elements. A mixture of nontoxic propylene glycol and water is placed in the heater core to act as a heat transfer fluid. The propylene glycol provides freeze damage protection to -49°F (-45°C). The unit is designed to give years of safe, trouble-free operation when properly installed and maintained.

INSTALLATION

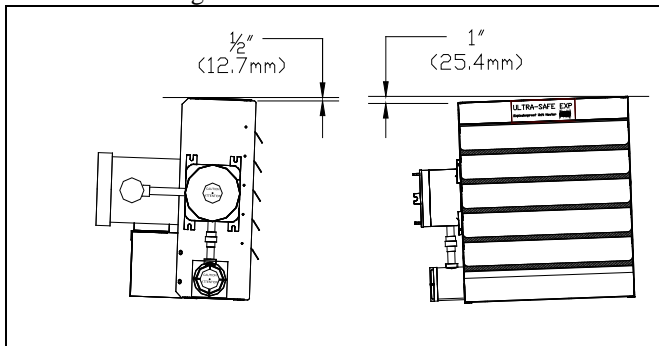
A. Site Selection:

The Heaters should not be mounted close to drapery or similar materials which could lay on the cabinet, or block the inlet or outlet of the heater. The heaters are intended for elevated mounting locations so that they blow warm air down to the floor area. A mounting height should be selected so that the heater is out of the way of possible moving equipment or personnel, yet low enough to deliver warm air to the selected area. See mechanical installation instructions for recommended installation heights.

B. Mechanical Installation:

Once an acceptable location has been determined, follow these instructions to complete the mechanical installation.

- The Heaters are designed for use only while permanently mounted in an upright, level position. See figure below maximum tilt angles:



- To ensure proper heating of floor surfaces, observe the following recommended maximum mounting heights (to bottom of heater):

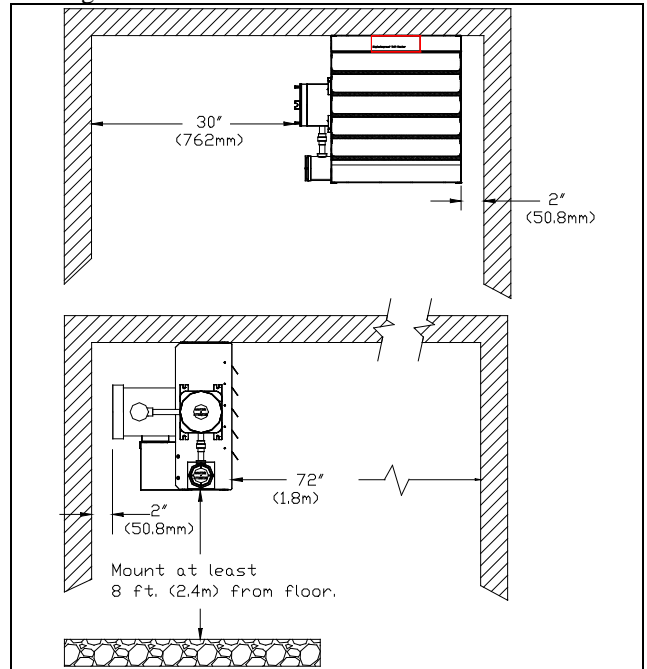
Maximum Mounting Height from Floor:

233-FA	233-FB	233-FC
9 ft. (2.7m)	10 ft. (3.0m)	13 ft. (4.0m)

- The supporting structure that the heater is attached to must have adequate strength to safely support the heater and be sufficient to keep the heater in its proper upright operating position. The maximum unit weights are:

MODEL	lbs	(kgs)
233-FA	150	68
233-FB	200	91
233-FC	250	114

- See figure below for minimum installation clearances:



- The heater may be suspended from overhead beams or mounted to a side wall or a 4" pipe using one of the approved mounting kits. Use of non-approved mounting kits voids all warranties, expressed or implied.
- Wall mounting should be to structural steel. If the wall construction is plasterboard with wooden 2 X 4 framing or similar, it must be reinforced with angle iron or wooden cross braces.
- Lock washers should be used on all mounting nuts and bolts to ensure they don't vibrate or work loose due to fan vibration or other vibration transmitted to the heater.

C. Electrical Installation:

Follow these instructions to complete the electrical installation:

- External branch circuit protection is required. See nameplate ratings and follow Code recommendations.
- Use only an approved explosion-proof means of wiring, such as mineral insulated cable or copper conductors in rigid conduit with conduit seals as required to make connection to the heater.
- Follow the NEC and/or CEC and any local electrical and building codes related to the installation and intended use of the heater in an explosion-hazard area. NOTE: The heaters are suitable for installation into Division 2 areas but only when wiring and sealing per Division 1 requirements. Also, the heaters are suitable for installation into Zone 2 locations but only when wiring and sealing per Zone 1 requirements
- When doing any work on a heater, including the initial electrical connection, disconnect the electrical current at the main branch circuit switch, and lock the switch in the off (open) position and tag the circuit "Out for Maintenance" to prevent potential lethal shock hazards.
- Confirm that the electrical power supply matches the nameplate voltage, phase, amperage and frequency rating of the heater to be connected.

6. Ensure conductors are of appropriate gauge size. The minimum gauge is stamped on the nameplate. Size all input conductors according to accepted standards consistent with the temperature rating of the wire being used. Use minimum 75°C rated wire.
7. Proper installation of the heater requires that an adequate grounding conductor be connected to the ground terminal. This terminal is painted green or marked with the letter “G” and is located on the inside of the control enclosure next to the power input opening.
8. Check and confirm all connections are securely fastened.
9. Before application of electrical power, check all connections to ensure compliance with the wiring diagram and any code requirements. Remove any foreign objects from the control boxes. Reinstall covers tightly.
10. On all 3-phase heaters, it is necessary to verify that the fan is rotating in the proper direction. If air delivery is not from the front of the heater, exchange any 2 input wires at the main contactor terminal located in the control enclosure.
11. The explosion-proof control box is designed with threaded joints and metal-to-metal contact at the lid or cover joint to prevent an explosion. Do not attempt to install gasket material of any type at these joints. A light coating of anti-seize compound is applied to the threads to prevent seizing.
12. See section titled “operation” before energizing the heater.

D. Field Installed Controls:

1. **Power Disconnect Switch:**

The NEC requires that a power disconnect switch be mounted within sight of the heater. The CEC or local codes may require a disconnect switch within sight of the heater. Refer to the electrical diagram and follow these steps:

- a.) The remote power disconnect switch must be an explosion-proof disconnect switch rated for the area classification.
- b.) The switch must be indicating and have a locked off position.
- c.) The switch must be rated for the nameplate voltage and current per the NEC, CEC and any local codes.
- d.) Follow steps 6 through 12 of the electrical installation instructions to complete the installation.

2. **Room Thermostat:**

Refer to the electrical wiring diagram and follow these steps:

- a.) Connect the remote thermostat across the leads marked “C” and “C1”. The external thermostat will then be in series with the heater thermal high-limit switches and correct operation of the heater will result.
- b.) The wiring to the remote thermostat must be copper wire, 16 gauge minimum (for Class II) or 14 gauge minimum (Class I) and run in explosion-proof conduit with appropriate conduit seals installed per the NEC, CEC and any local codes.

- c.) Any room thermostat used with this heater must be of an explosion-proof type rated for the area classification, open on temperature rise, rated minimum 120VAC, 75VA inductive capacity.

3. **‘Fan Only’ Switch:**

Refer to the electrical wiring diagram and follow these steps:

- a.) Do not attempt to install a “Fan Only” switch on a standard unit heater and do not try to field modify a standard unit heater for this option. The heater must have been ordered for this option to have the necessary internal controls.
- b.) Connect the remote ‘fan only’ selector switch across the leads marked “C” and “F”.
- c.) The wiring to the fan selector switch must be copper wire, 16 gauge minimum (for Class II) or 14 gauge minimum (for Class I) and run in explosion-proof conduit with appropriate conduit seals installed per the NEC, CEC and any local codes.
- d.) Any selector switch used with this heater must be an explosion-proof switch rated for the area classification, maintained 2 position selector switch rated minimum 120VAC, 75VA inductive.

OPERATION

The unit heater may be operated normally at ambient temperatures of 104°F (40°C) or less and at altitudes of 3,300 feet (1000m) or less in atmospheres containing less than 21% oxygen by volume, and as classified on the nameplate. All of these conditions must be met before attempting to operate the heater. The heater should never be operated in an oxygen-enriched atmosphere or at ambient temperatures above 104°F, (40°C). The heater may be operated at higher altitudes if the ambient temperatures are below 104°F, (40°C).

A. Initial Operation:

Check to make sure the mechanical and electrical installation is complete and that it is safe to operate the heater.

- 1.) Heater without built on or remotely mounted fan switch:
 - a.) Set the temperature control thermostat to a setting above the current room temperature.
 - b.) Energize the heater electrical supply circuit.
 - c.) The heater and fan should come on and in 5 to 15 minutes reach a stable operating temperature. If the room temperature is high and the installation is above 3,300 feet, the unit heater may cycle on the thermal high limits of the motor or the heater.
 - d.) Check out and report any unusual or questionable operating characteristics, such as noise, vibration, loss of fluid, etc. Note that crackling noises coming from the heat exchanger during warm up are normal.
 - e.) Set the temperature control thermostat to the desired room temperature setting.
 - f.) De-energize the heater electrical supply circuit until heater operation is required.
- 2.) Heater with fan switch:
 - a.) Place the fan switch in the fan position.

- b.) Set the temperature control thermostat to a setting below the current room temperature.
- c.) Energize the heater electrical supply circuit.
- d.) The heater fan should come on but the heater should remain off.
- e.) Place the fan switch in the auto position.
- f.) The fan should go off.
- g.) Set the temperature control thermostat to a setting above the current room temperature.
- h.) The fan and heater should operate. If the room temperature is high and the installation is above 3,300 feet (1000m), the unit heater may cycle on the thermal high limit cutouts of the motor or the heater.
- i.) Check out and report any unusual or questionable operating characteristics, such as noise, vibration, loss of fluid, etc.
Note that crackling noises coming from the heat exchanger during warm up are normal.
- j.) Set the fan switch and temperature control thermostat to the desired operating positions.

B. Normal Operation:

Prior to the start of the heating season, perform the electrical and mechanical steps outlined in the section titled “maintenance”.

- 1. Perform the Operation steps for the applicable temperature control option.
- 2. Place all switches in their normal operating position and place the unit heater in service.

MAINTENANCE

Maintenance and repair must be performed by qualified personnel only.

A. Electrical:

- 1. Inspect all terminal connections, contactor and conductor insulation for damage, looseness, fraying, etc., as applicable. Tighten any loose terminals and replace or repair wire with damaged or deteriorated insulation. If contactor contacts are badly pitted, welded together, or burned, replace the contactor. Check all explosion-proof conduit for visible damage and tightness.
- 2. If reduced heat output is suspected, perform the mechanical checks. If low heat output is still suspected after completing the mechanical checks, verify the condition of the heating elements by using an amperage meter to check the current draw of each input line. All input lines should draw approximately equal current which should agree with nameplate rating. If they do not, one or more of the heating elements could be burned out and the heater/core assembly should be replaced.
- 3. The electric motor is permanently lubricated and thermally protected. Check for smooth and quiet running at all inspections. Replace motor if excessive bearing play is detected. Contact the factory for instructions.

B. Mechanical:

- 1. Never attempt to fill, drain or check the liquid level of the heat exchanger or check the action of the pressure relief valve. Contact the factory for instructions.
- 2. The explosion-proof control box is designed with threaded joints and metal-to-metal contact at the lid or cover joints to prevent an explosion. Do not attempt to install gasket material of any type at these joints. A light coating of anti-seize compound is applied to the threads to prevent seizing.
- 3. Annually check the tightness of all visible bolts and nuts, in particular the support structure bolts and nuts. Similarly check the motor mounting bolts and nuts.
- 4. Periodically, check the motor, fan and heater core fins for cleanliness. A dirty heat exchanger can cause the unit to over heat and cycle on the thermal cutouts. If the dirt is loose dust, clean with a vacuum or by air jet. If the dirt can't be vacuumed or blown off, use a warm water spray directed to the inlet side of the heat exchanger then to the outlet side. Units may also be ordered with upgraded features to support “IP55” wet location construction. A soft bristled brush may be required to loosen stubborn deposits. Be careful not to bend the aluminum fins on the heat exchanger or the fan blade propeller. Allow unit to dry before re-energizing.
- 5. Check louvers for position tightness and equal angle settings. Check motor and fan for smooth running operation. Any unusual noise or vibration must be investigated and rectified.
- 6. Should there be any evidence of fluid leakage from the heater core, the heater should be repaired immediately. The heater will not operate properly with a low fluid level. Contact the factory for replacement core.

REPAIR AND REPLACEMENT

Maintenance and repair must be performed by qualified personnel only.

A. Replacing the Heat Exchanger Core:

The heat exchanger core is not field repairable. Contact factory for replacement.

- 1. Disconnect the heater electrical power supply, unwire and lower the heater from its mounting location. Set heater face down on a table or on the floor.
- 2. Remove the cabinet bottom, cabinet top, wiring and heater enclosure covers.
- 3. Disconnect all heater wires from the contactor in the wiring enclosure. Disconnect the control wiring from thermal cutout.
- 4. Thread conduit into wiring enclosure to disconnect the heater terminal box.
- 5. With an assistant supporting the weight of the heat exchanger, remove the 3 heat exchanger mounting bolts. Carefully remove the heat exchanger out of the bottom of the cabinet.
- 6. Locate rating tag on the heat exchanger and verify that electrical ratings of the core to be installed match the electrical ratings on the heater nameplate.

7. To reinstall, slide the core through the bottom of the cabinet while an assistant lines up and installs the 3 heat exchanger mounting bolts.
8. Guide the heater lead wires back into the wiring enclosure.
9. Reconnect the heater lead wires to the contactor and the conduit.
10. Reattach the cabinet bottom and enclosure covers before mounting heater and energizing.

B. Replacing the Temperature High-Limit Cutouts:

1. Disconnect the heater electrical power supply and remove the heater enclosure cover.
2. Remove the wire barrier to expose the high limit cutout.
3. Disconnect the wires from the high limit cutout and mark their location.
4. Remove the two nuts used to attach the temperature high limit cutout.
5. Lift and remove the sheetmetal mounting plate.
6. Carefully lift and remove the temperature high limit cutout.
7. Use only factory supply parts for safe operation.
8. Lightly coat the new manual and automatic cutout bulbs with the supplied thermal transfer compound. This is critical for proper cutout operation.
9. Carefully slide the automatic cutout bulb into the **left** thermowell and the manual cutout bulb into the **right** thermowell.
10. Reinstall the sheetmetal plate. Note that the sheetmetal plate also acts as a stop to keep the cutout bulbs from backing out of the wells.
11. Carefully install the temperature high limit control to avoid putting kinks into the capillary.
12. Reattach the wires to the cutout and reinstall the wire barrier.
13. Ensure heater enclosure cover is in place before energizing heater.

C. Resetting the Manual Cutout:

All unit heaters contain a built-in manual reset thermal cutout with or without backup contactor.

1. Disconnect the heater electrical power supply and remove the heater enclosure cover.
2. Determine the reason for the manual reset thermal cutout actuating and rectify the situation. See section titled "maintenance".
3. Reset the manual reset thermal cutout by pressing on the red stem in the center of the control.
4. Replace the heater enclosure cover securely.
5. Energize the heater electrical supply circuit.
6. The heater and fan should come on and in 5 to 15 minutes reach a stable operating temperature.

7. Check out and report any unusual or questionable operating characteristics, such as noise, vibration, loss of fluid, etc.
8. If heater operation appears normal, place the unit into normal operation.

D. Replacing the Fan Motor and Blade:

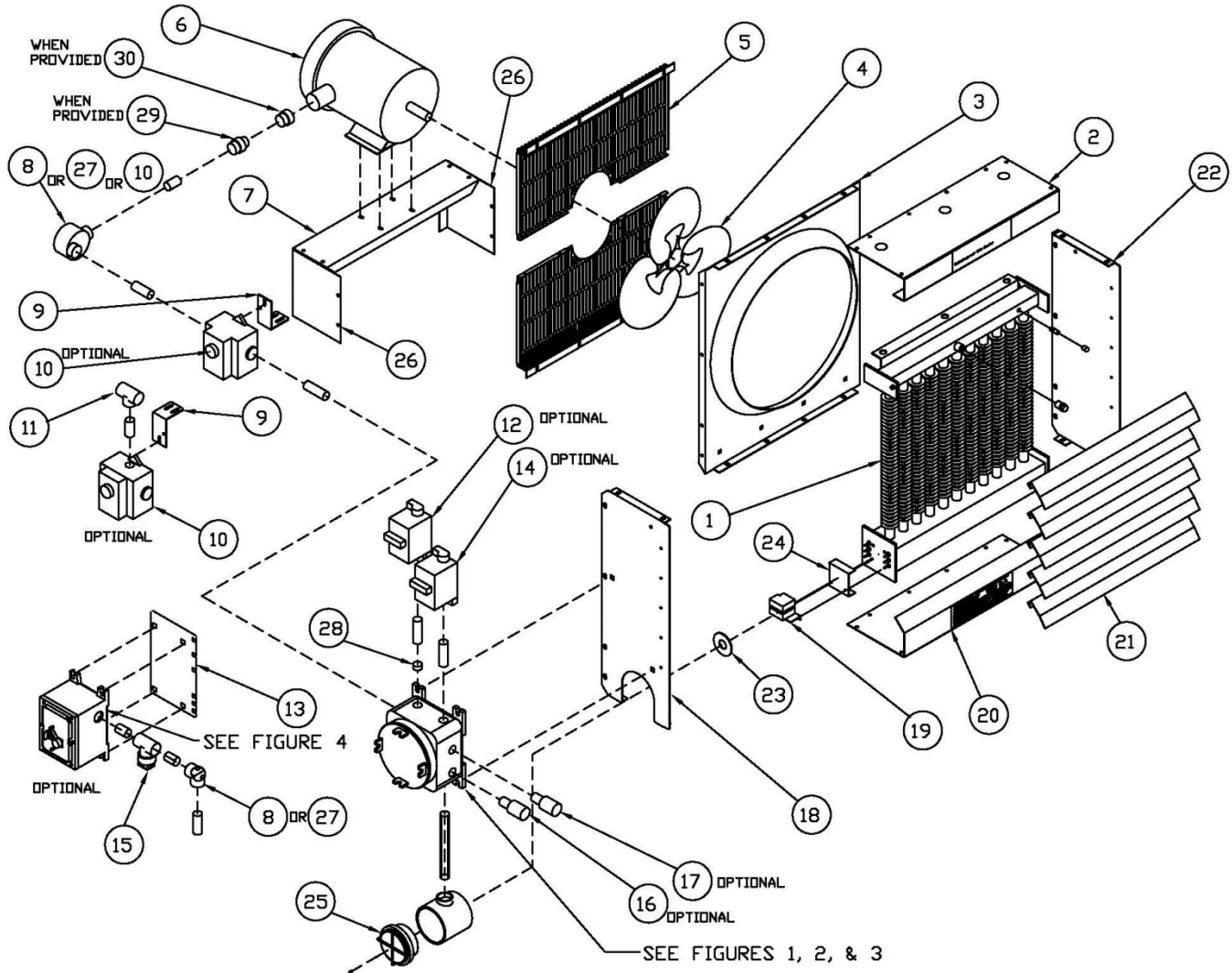
The fan motor is permanently lubricated and does not require any maintenance. If the fan motor is defective, a replacement must be obtained from the factory.

1. To replace the fan motor:
 - a. Disconnect the heater electrical power supply.
 - b. Disconnect the motor supply wires from the contactor in the wiring enclosure.
 - c. Disassemble the conduit union located at the motor wiring hub.
 - d. Remove top fan guard and motor mounting bolts.
 - e. Lift motor out of heater assembly.
 - f. Remove fan blade and conduit union from defective motor and install on new motor.
 - g. Install new motor to heater using existing motor mounting hardware.
 - h. Reinstall top fan guard and ensure that the fan blade rotates freely.
 - i. Feed motor wires through conduit and into wiring enclosure.
 - j. Reattach conduit union. Reconnect motor wires to contactor.
 - k. Check fan rotation by momentarily energizing heater. Airflow should exit from front of heater cabinet. If rotation is incorrect, disconnect electrical power supply and reverse two of the motor lead wires at the contactor.
 - l. Reattach wiring enclosure cover before placing heater back in service.
2. To replace the motor fan blade:
 - a. Remove the top fan guard.
 - b. Remove the four motor mounting bolts and disconnect the conduit union at the motor.
 - c. Loosen the bolt that connects the fan blade to the motor shaft.
 - d. Slide the motor back and tilt in order to remove the old blade & install a new one.
 - e. Tighten the fan blade attachment bolt to the motor shaft.
 - f. Reattach the motor conduit union and the four motor mounting bolts.
 - g. Reinstall the top fan guard and ensure that the fan blade rotates freely.

REPLACEMENT PARTS

1. All replacements must be factory supplied to ensure safe heater operation.
2. Mark wires and refer to wiring diagram to ensure proper electrical connections.

Reference heater catalog number and item number in figures below when contacting factory for replacement parts. Contact factory for items not shown.



ITEM	DESCRIPTION
1	Heat Exchanger Core Assy.
2	Cabinet – Top
3	Fan Venturi
4	Fan Blade
5	Fan Guard
6	Fan Motor
7	Motor Support – Top
8	Motor Junction Box
9	Thermostat Support Bracket
10	Thermostat
11	Conduit Tee
12	Disconnect Switch – Small
13	Large Disconnect Support Bkt.
14	Fan Switch
15	Conduit Seal

ITEM	DESCRIPTION
16	Pilot Light – Bottom
17	Pilot Light – Top
18	Cabinet – Left Side
19	High Limit Cutout Assembly
20	Cabinet – Bottom
21	Cabinet - Louver
22	Cabinet – Right Side
23	High Limit Barrier
24	High Limit Mounting Bridge
25	Heater Enclosure Cover
26	Motor Support – Side
27	Conduit Pull Elbow
28	Reducer Bushing
29	Conduit Union
30	Reducer Bushing

Select the Figure that corresponds to your heater.

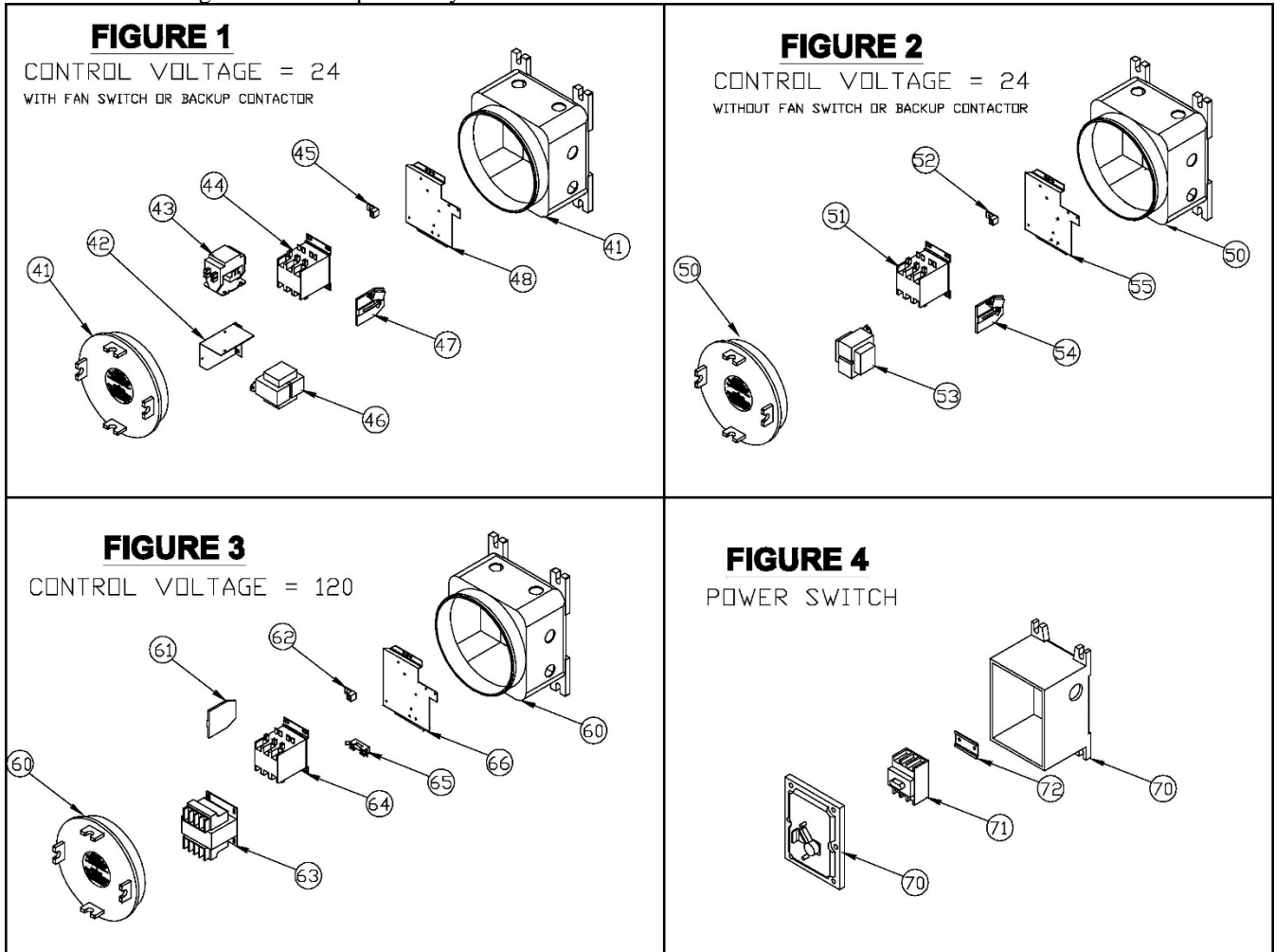


FIGURE 1:

ITEM	DESCRIPTION
41	Wiring Enclosure and Cover
42	Option Mounting Bridge
43	Option Contactor
44	Main Contactor
45	Ground Lug
46	Transformer
47	Auxiliary Contact
48	Main Mounting Bridge

FIGURE 3:

ITEM	DESCRIPTION
60	Wiring Enclosure and Cover
61	Auxiliary Contact
62	Ground Lug
63	Transformer
64	Main Contactor
65	Transformer Fuse & Fuse Block
66	Main Mounting Bridge

FIGURE 2:

ITEM	DESCRIPTION
50	Wiring Enclosure and Cover
51	Main Contactor
52	Ground Lug
53	Transformer
54	Auxiliary Contact
55	Main Mounting Bridge

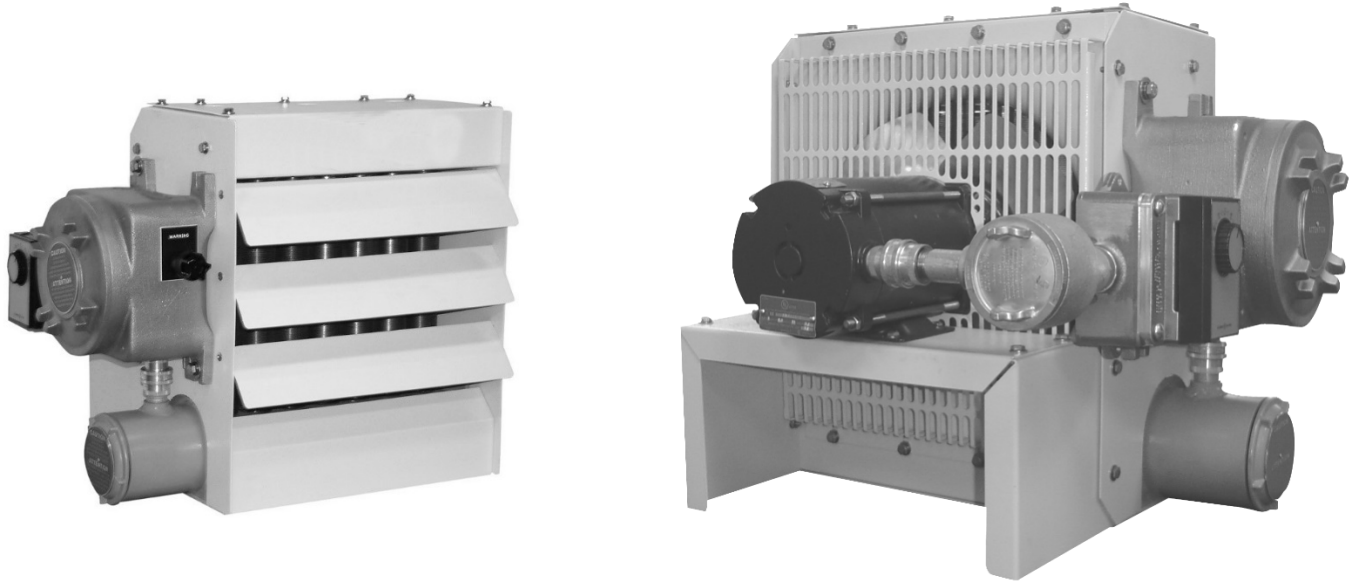
FIGURE 4:

ITEM	DESCRIPTION
70	Switch Enclosure and Cover
71	Disconnect Switch
72	Disconnect Switch Track



Manuel du Propriétaire

Chauffage électrique à Air Pulsé pour les Endroits Hasardeux



Ce manuel explique l'installation, la maintenance et les pièces de rechange et de la réparation.

CSA licencié pour les locaux suivantes classifiés:

Classe I, Divisions 1 & 2, Groupes C & D

Classe II, Divisions 1 & 2, Groupes F & G

T3C - 320°F (160°C)

Marques de rechange : Classe I, Zones 1 & 2, Groupe IIB T3 or T(160)

ou

Classe I, Divisions 1 & 2, Groupes C & D

Classe II, Divisions 1 & 2, Groupes E, F & G

T3C - 320°F (160°C)

Marques de rechange : Classe I, Zones 1 & 2, Groupe IIB T3 or T(160)

Consulter la plaque de spécifications pour la classification d'un local particulier

Pour se renseigner sur les environnements hasardeux particuliers regardant le danger d'explosion, consulter les Articles 500 à 516 du Code Electrique Nationale, et/ou la Section 18 du Code Electrique Canadien, Première partie.



Les Avertissements

Le personnel d'Installation et de maintenance devraient se familiariser avec ce manuel et tous les AVERTISSEMENTS avant d'installer ou de modifier cet appareil de chauffage afin d'éviter des conditions hasardeuses potentielles, des dommages sévères des locaux, des blessures personnels ou la mort.

1. Afin de réduire le risque incendiaire des atmosphères hasardeuses: Ne pas installer dans des lieux ou la limite du code pour la température opérative est plus grande que la température incendiaire de l'atmosphère hasardeuse.
2. Une présence de voltage potentiellement fatal: Se rassurer d'avoir changé l'interrupteur du branchement dans la position "fermé" (OFF) et marquer le circuit "Hors de service" avant de commencer à travailler sur cet appareil.
3. Maintenir bien fermés les couvercles électriques durant l'opération.
4. Danger de choc électrique. L'appareil de chauffage doit être mis à la prise de terre en concordance avec Le Code d'Electricité Nationale et/ou Code d'Electricité Canadien.
5. Cet appareil de chauffage doit être installé par du personnel qualifié et familier avec les exigences Du Code d'Electricité Nationale et/ou Code d'Electricité Canadien pour des locaux hasardeux. L'installateur est responsable de vérifier la sécurité et la pertinence de l'installation.
6. Le désassemblage de l'appareil n'est ni nécessaire ni autorisé pour l'installation.
7. En branchant au thermostat, rassurez-vous que les thermostats soient joints en série avec l'interrupteur de contrôle. Il ne faut pas que l'appareil fonctionne sans que les thermostats soient proprement installés dans le circuit.
8. Il ne faut pas qu'on essaie d'installer un interrupteur uniquement pour un ventilateur dans un appareil de chauffage ordinaire. Il ne faut pas qu'on modifie un appareil de chauffage ordinaire pour cela. L'appareil de chauffage doit être commandé avec cette option pour en avoir les contrôles internes nécessaires
9. Le remplacement des composants électroniques doit être installé seulement par du personnel qualifié qui soit familier avec les conditions pour maintenir des équipements électriques à l'usage dans des endroits hasardeux.
10. Les composants électroniques de remplacement doivent être obtenus de la manufacture afin de soutenir la qualification pour des locaux hasardeux.
11. L'échangeur de chaleur est un élément soudé sous vide à l'usine. Ne tentez pas d'ouvrir ou fermer les bouchons de vidange ou de remplissage. Ne tentez pas non plus de manipuler la soupape de dégagement de la pression. Une perte de vide pourrait déclencher les thermostats ou faire augmenter la pression résultant dans le déclenchement de la soupape de dégagement de la pression qui résulterait dans une perte de fluide caloporteur. En cas de coulage mettez la machine hors de service et investiguez la cause du coulage.
12. L'échangeur de chaleur(le radiateur) est rempli d'une mixture d'eau et de propylène glycol. Il y a un danger de se brûler au contact avec le liquide à la température d'opération. Selon les fiches techniques santé-sécurité il n'y a pas d'indication d'un hasard à la santé par contacter le propylène glycol. Comme premiers-secours suggérés, lavez-vous les yeux à grande eau et lavez-vous la peau dans une douche ou à grande eau.
13. Installez et opérez en position verticale exclusivement. Défaut d'observer cette commande résultera dans le dégagement des thermostats.
14. Il faut observer les marges d'installation minimales comme donné sur la plaque d'identité.
15. Utilisez du fil en cuivre comme donné sur la plaque d'identité afin de joindre l'appareil au circuit.
16. Ne cherchez pas à surmonter les auvents ni à opérer l'appareil avec les auvents entièrement fermés
17. Si l'appareil est équipé avec un feu d'alerte ceci va s'illuminer au moment où le thermostat s'ouvre. Cela pourrait se passer quand l'échangeur de chaleur est souillé, si la soupape d'entrée d'air est bloquée ou si le ventilateur ne tourne pas ou si le voltage est incorrect. Coupez le courant avant d'exécuter des réparations.
18. Il est normal d'entendre des bruits craquelant au commencement du chauffage dans le radiateur.

La garantie sera annulée sans que ces directions ne soient pas suivies.

GENERAL

Les appareils de chauffage d'air sont dessinés comme chauffage de confort et ne doivent pas être utilisés dans des températures ambiantes en excès de 104 degrés f. (40 degrés C.) Ces appareils peuvent être montés au mur sur un poteau ou au plafond. Ils utilisent un échangeur de chaleur liquide-à-l'air hermétiquement clos et contiennent des éléments de chauffage électriques type immersion. Une mixture de propylène glycol non-toxique qui sert comme liquide de transférence de chaleur et introduite dans le corps de l'appareil de chauffage. Le propylène glycol fournit une protection de dommages du gel à - 49°F (-45°C). Si l'appareil est installé correctement il est dessiné d'offrir des années de service en sécurité est sans difficulté.

INSTALLATION

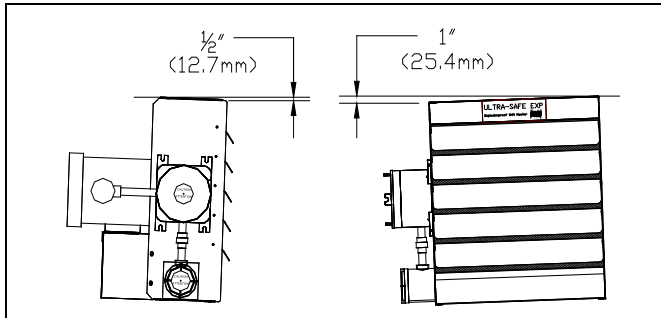
A. Choisir le local:

Les appareils de chauffage ne doivent pas être montés en proximité des draps ou des matériaux pareils qui pourraient envelopper, bloquer la soupape d'entrée d'air ou de sorti d'air. Ces appareils sont dessinés pour les locaux élevés afin qu'il force l'air chaud en direction du sol. Choisir la hauteur de montage afin que l'appareil de chauffage soit hors du chemin des personnes ou des machines mouvantes, mais il ne faut pas les installer trop haut afin qu'ils puissent réchauffer la zone intentionnée. Consulter les instructions d'installation mécaniques pour la hauteur recommandée.

B. Installation mécanique:

Après avoir décidé d'un local acceptable il faut suivre les instructions ci-dessous pour achever l'installation mécanique.

1. Les appareils de chauffage sont dessinés d'être utilisé seulement dans un local permanent en position vertical est nivelée. Consulter l'illustration ci-dessous pour l'angle maximal d'inclinaison:



2. Afin d'assurer le chauffage correct des zones au sol il faut se tenir aux hauteurs maximales recommandées mesurées du font de l'appareil:

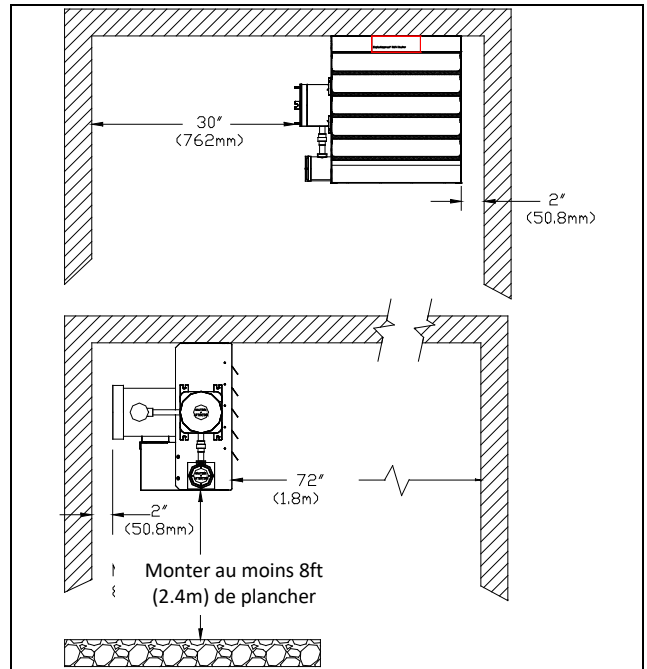
Hauteur Maximal de Montage (mesurée du sol):

233-FA	233-FB	233-FC
9 ft. (2.7m)	10 ft. (3.0m)	13 ft. (4.0m)

3. La structure supportant l'appareil doit avoir une solidité proportionnée à maintenir l'appareil en sécurité dans sa position d'opération verticale. Voici les poids maximaux des modèles:

MODÈLE	lbs	(kgs)
233-FA	150	68
233-FB	200	91
233-FC	250	114

4. Consultez l'illustration ci-dessous pour les marges minimales de dégagement:



5. L'appareil peut être suspendu d'une poutre arienne ou attaché à un mur ou un tuyau à 4 inches (10 cm) en utilisant un complet d'installation certifié. L'utilisation d'un complet d'installation non-certifié vide toute garantie exprès ou comprise.
6. L'installation au mur doit utiliser de l'acier structurel. Si le mur est construit aux poutrelles 2" X 4" avec un revêtement en panneau de plâtre ou quelque chose d'équivalent, il faut le renforcer avec des cornières ou avec des renforcements en bois.
7. Il faut utiliser des rondels frein avec tous boulons et écrous de montage afin qu'ils ne se défassent pas à cause des vibrations du ventilateur transmis à l'appareil ou par d'autres vibrations

C. Installation Electrique:

Suivez les directions ci-dessous afin d'achever l'installation électrique.

1. Il est nécessaire d'avoir un disjoncteur à l'extérieur. Consultez les spécifications sur la plaque d'identité et obéissez aux recommandations du code électrique
2. N'utilisez que du fils non-explosifs certifié comme du câble isolé en matériaux minéraux ou de fils en cuivre dans un conduit rigide avec des clôtures de conduit comme nécessaire à faire la connection à l'appareil de chauffage.
3. Suivez le NEC (code électrique national) ou le CEC (code électrique canadien) ou les codes locaux regardant l'installation et l'utilisation intendue de l'appareil dans des locaux avec un hasard d'explosion. NOTE : Les radiateurs sont convenables pour l'installation en Division 2 zones, mais seulement lorsque de câblage et d'étanchéité conformément aux exigences de la Division 1. Aussi, les radiateurs sont convenables d'installation dans des endroits de la Zone 2, mais seulement lorsque de câblage et d'étanchéité conformément aux exigences de la Zone 1.
4. En faisant des réparations à l'appareil y incluse l'installation électrique initiale il faut couper le courant électrique au disjoncteur principal du circuit et bloquer l'interrupteur dans la position débranchée. Affichez une note comme (hors de service pour réparations) afin d'éviter des choques potentiels fatals.
5. Rassurez-vous de l'exacte correspondance de la source électrique avec le voltage, la phase, l'ampérage, et la fréquence du courant selon la plaque d'identité de l'appareil connecté.
6. Faites certain que les fils électriques a la jaugeage correcte. Le minimum de jeauge est estampé sur la plaque d'identité. Il faut choisir la jeauge de chaque fil conducteur selon des normes

acceptées conformant à la classification de température du fil choisi. Au minimum choisissez un fil d'une certification pour 75 degrés C.

7. L'installation correcte de l'appareil de chauffage exige qu'un fil mis-à-terre soit attaché à la borne "terre". Cette borne est colorée verte ou imprimée avec la lettre G (ground=terre) qui se trouve à l'intérieur de la boîte de contrôle à côté de l'ouverture d'alimentation électrique
8. Contrôlez toutes les jonctions et faites-en certain qu'elle est attachée sûrement.
9. Avant de brancher l'appareil au courant électrique contrôlez toutes les jonctions afin de vous assurer qu'il est en accord avec la schématique électrique et les exigences du code. Enlevez tous objets étrangers de la boîte de contrôle. Fermez le couvercle sûrement.
10. En cas de tous appareils triphasés, il est nécessaire de vérifier que le ventilateur tourne dans la bonne direction. Si l'aire ne sort pas du front de l'appareil de chauffage échangez deux fils quelconque à l'interrupteur principal qui se trouve dans la boîte de contrôle.
11. La boîte de contrôle est non-explosive et a été dessinée avec des joints filetés et avec du contact de métal à métal au couvercle afin d'empêcher une explosion. Ne tentez pas d'installer de la matière d'étanchéité quelconque à ces endroits. Une légère application d'un composé anti-coinceur est appliquée afin d'empêcher le coinçage.
12. Consultez la section "opération" avant de brancher l'appareil.

D. Les contrôles installés au local-meme:

1. **Interrupteur de débranchement de l'alimentation:**
Le NEC exige qu'un interrupteur de débranchement de l'alimentation soit installé en vue de l'appareil de chauffage. Il se peut que le CEC exige un interrupteur de débranchement de l'alimentation en vue de l'appareil de chauffage. Regardez le schéma électrique et suivez les pas ci-dessous:
 - a.) L'interrupteur de débranchement extérieur doit être résistant aux explosions comme exigé par la classification du local.
 - b.) L'interrupteur doit indiquer les positions branché/débranché et doit avoir une position de débranchement capable d'être fermé à clé.
 - c.) L'interrupteur doit avoir la classification indiquée par la plaque d'identité en ce qui concerne le voltage et le courant et aussi comme exigé par le CEC, NEC, ou des codes locaux.
 - d.) Suivez les pas 6-12 des instructions de l'installation électrique afin de compléter l'installation.
2. **Le thermostat local:**
Regardez le schéma électrique et suivez les directions ci-dessous:
 - d.) Branchez le thermostat à travers les conducteurs "C" et "C1". Le thermostat externe alors sera en série avec les interrupteurs haute-temperature internes de l'appareil de chauffage et résultera dans le fonctionnement correct de l'appareil.
 - e.) Le fil pour le thermostat externe doit être un fil en cuivre de jaugeage 16 minimum pour la classe II ou de jaugeage 14 minimum pour la classe I. Le fil doit être contenu dans du conduit résistant aux explosions avec l'installation des coupe-feux antidéflagrants corrects comme exigé par le NEC, CEC, ou des codes locaux.
 - f.) N'importe quel thermostat d'ambiance utilisé avec cet appareil de chauffage doit être résistant aux explosions comme exigé par la classification de la localité et classifié à 120VAC, 75VA de capacité inductive le minimum.
3. **L'interrupteur "Ventilateur" exclusif:**

Regardez le schéma électrique et suivez les instructions ci-dessous:

- a.) Ne cherchez pas à installer un interrupteur ventilateur exclusif dans un appareil de chauffage normal ni à modifier un appareil de chauffage normal pour cette option. L'appareil doit être commandé avec cette option afin qu'il contienne les nécessaires contrôles internes.
- b.) Branchez l'interrupteur externe à travers les conducteurs "C" et "F".
- c.) Le fil pour l'interrupteur "ventilateur" doit être un fil en cuivre de jaugeage minimum 16 pour les classes II ou de jaugeage minimum 14 pour la classe I. Le fil doit être contenu dans du conduit résistant aux explosions avec l'installation des coupe-feux antidéflagrants corrects comme exigé par le NEC, CEC, ou des codes locaux.
- d.) N'importe quel interrupteur sélectif installé avec cet appareil de chauffage doit être résistant aux explosions comme exigé par la classification de la localité avec deux positions à choisir et classifié à 120VAC, 75VA de capacité inductive le minimum.

L'OPERATION

L'appareil de chauffage peut être engagé normalement dans des températures ambiantes de 104 degrés F (40 degrés C) ou moins et à des élévations de 3.300ft. (1000m) ou moins dans des atmosphères contenant moins de 21% d'oxygène par volume et comme indiqué sur la plage d'identification. Il est nécessaire que toutes ces conditions soient satisfaites avant de mettre l'appareil en opération. L'appareil ne doit jamais être utilisé dans une atmosphère enrichie d'oxygène ou dans des températures plus chaudes 104 F(40 C). L'appareil peut être utilisé à une altitude plus haute si la température ambiante est moins de 104 F (40 C).

A. Opération Initial:

Assurez-vous que l'installation mécanique et électrique est complétée et que l'appareil puisse être mis en marche hors de danger.

- 1.) Appareil de chauffage sans interrupteur extérieur pour le ventilateur.
 - a.) Ajustez le thermostat à une température plus haute que la température ambiante de la localité.
 - b.) Branchez le circuit alimentation
 - c.) L'appareil de chauffage et le ventilateur devraient commencer à marcher et atteindre une température d'opération constante après 5-15 minutes. Si la température ambiante est trop élevée et l'installation est au-dessus de 3.300ft., l'appareil de chauffage pourrait se débrancher aux limites maximales du moteur ou de l'appareil de chauffage.
 - d.) Examinez et signalez toutes caractéristiques douteuses d'opérations; par exemple: du bruit, des vibrations, de la perte de liquide etc... Sachez que le bruit craquelant pendant le chauffage du radiateur est normal.
 - e.) Ajustez le thermostat à la température désirée a la localité.
 - f.) Débranchez le circuit alimentation jusqu'au temps qu'il soit nécessaire d'opérer l'appareil de chauffage.
- 2.) Appareil de chauffage avec un interrupteur de ventilateur:
 - a.) Mettez l'interrupteur de ventilateur dans la position "ventilateur".
 - b.) Ajustez le thermostat à une température plus basse que l'actuelle température ambiante.
 - c.) Branchez le circuit alimentation
 - d.) Maintenant le ventilateur devrait commencer à marcher seul sans que l'appareil de chauffage soit activé.
 - e.) Mettez l'interrupteur de ventilateur dans la position "automatique".
 - f.) Le ventilateur devrait s'arrêter.

- g.) Ajustez le thermostat plus haut que la température ambiante.
- h.) L'appareil de chauffage et le ventilateur devraient se mettre en marche tous les deux ensembles. Si la température ambiante est très haute et si l'appareil de chauffage est installé plus de 3300ft. (1000m) l'appareil pourrait se débrancher aux limites maximales du moteur, du ventilateur, ou de l'appareil de chauffage.
- i.) Examinez et signalez toutes caractéristiques douteuses d'opération; par exemple: du bruit, de la vibration, de la perte de liquide etc... Sachez que le bruit craquelant du radiateur pendant le commencement de chauffage est normal.
- j.) Mettez l'interrupteur de ventilateur et le thermostat aux positions d'opération désirée.

B. Opération Normale:

Avant le commencement de la saison de chauffage, accomplissez les actions électriques et mécaniques comme décrit dans la section "maintenance"

1. Suivez les pas d'opération pour l'option de contrôle de la température applicable.
2. Mettez tous les interrupteurs dans la position d'opération normale et mettez l'appareil de chauffage en service.

Maintenance

La maintenance et les réparations ne doivent être exécutés que par des personnes qualifiées.

A. électrique:

1. Rassurez-vous que le raccordement de la borne et les contacteurs soient bien serrés et que les enveloppes isolantes ne soient pas éraillées etc... Serrez chaque raccordance de borne qui ait de jeu et remplacez ou réparez les fils dont l'enveloppe d'isolation soit endommagée. Si les contacts sont très crevassés, soudé ou brûlé, il faut les remplacer. Rassurez-vous que le conduit résistant aux explosions n'ait pas de dommage visible et qu'il soit bien serré.
2. S'il y a un soupçon de perte de chaleur faites une examination mécanique Si, après, il semble qu'il existe encore une chauffage insuffisant, vérifiez la condition des éléments de chauffage en utilisant un compteur d'ampères et mesurant l'ampérage du fil d'alimentation de chaque élément de chauffage. Tous fils d'alimentation doivent indiquer à peu près un ampère pareil qui devrait être d'accord avec la spécification sur la plaque d'identité. S'ils ne sont pas d'accord il se peut qu'un ou plusieurs éléments de chauffage soient brisés. En ce cas-la, il faut remplacer le radiateur.
3. Le moteur électrique est lubrifié à vie et a une protection de thermorupteur. Rassurez-vous que l'opération du moteur soit douce et silencieuse. Remplacez le moteur en cas de jeu excessif du coussinet. Contactez la manufacture pour des instructions.

B. Mécanique:

1. Il ne faut jamais tenter de remplir ni drainer ou vérifier le niveau de liquide dans l'échangeur de chaleur ni examiner le fonctionnement de la soupape à pression. Contactez la manufacture pour des instructions.
2. La boîte de contrôle résistante aux explosions a été dessinée avec des joints filetés et du contacte métal à métal au couvercle et aux joints de couvercle afin d'empêcher des explosions. Ne tentez pas d'installer du produit d'étanchéité quelconque. Les filets ont une application légère d'une composé anti-coincement afin d'empêcher le coincement des filets.
3. Une fois par ans, vérifiez que tous les boulons et écrous sont bien serrés. Faites certain particulièrement des boulons et

- écrous de la structure supportante. De la même façon, contrôlez les boulons et écrous de montage du moteur.
- 4. De temps en temps, rassurez-vous que le moteur, le ventilateur, et les ailettes du radiateur soient propres. Un radiateur malpropre peut causer la surchauffage de l'appareil et le débranchement des thermorupteurs. S'il y a seulement de la poussière légère, passez l'aspirateur ou nettoyez le radiateur avec un jet d'air. Si la borne ne se laisse pas enlever dans cette façon, aspergez le radiateur avec de l'eau tiède d'abord du côté d'alimentation, puis du côté de sortie. Les unités peuvent également être commandées avec des fonctionnalités améliorées pour prendre en charge la construction de l'emplacement humide "IP55". Il se peut qu'une brosse à soies molles soit nécessaire à délier les alluvions. Caution de ne pas courber ni les ailettes du radiateur ni l'hélice du ventilateur. Laissez sécher l'appareil avant de le rebrancher.
- 5. Assurez-vous que les persiennes sont serrées dans leurs positions et qu'ils aient le même angle. Faites certain de l'opération du moteur et du ventilateur. En cas du bruit ou d'oscillation anormale, il est nécessaire de trouver la cause et l'éliminer.
- 6. S'il y a de l'évidence d'une perte d'eau du radiateur, l'appareil de chauffage doit être réparé immédiatement. L'appareil ne fonctionne pas correctement si le niveau de liquide est bas. Contactez la manufacture pour un remplacement du radiateur.

Réparations et Remplacements

Seulement des personnes certifiées devraient réparer et maintenir les appareils.

A. Remplacement du radiateur:

Le radiateur ne peut pas être réparé aux lieux d'opération. Contactez la manufacture regardant un remplacement.

1. Débranchez l'alimentation électrique de l'appareil de chauffage et descendez l'appareil de sa position de montage. Mettez l'appareil sur le sol ou sur une table face en bas.
2. Détachez le fond et la face du placard, les fils électriques et les couvercles de la clôture de l'appareil de chauffage.
3. Détachez tous les fils électriques du contacteur dans la boîte de câblage. Détachez le circuit de contrôle du thermorupteur.
4. Enfillez le conduit dans la boîte de câblage afin de détacher la boîte de borne de l'appareil de chauffage.
5. Avec l'aide d'un assistant supportant le poids du radiateur, détachez les trois boulons de montage du radiateur. Prenez soin en enlevant le radiateur du fond du placard.
6. Trouvez la plaque des caractéristiques nominales sur le radiateur et vérifiez que les caractéristiques électriques du radiateur à être installés accordent aux caractéristiques nominales sur la plaque d'identification.
7. Pour réinstaller, glissez le radiateur à travers le fond du placard alors qu'un assistant aligne et installe les trois boulons de montage du radiateur.
8. Réintroduisez les conducteurs dans la boîte de câblage.
9. Rattachez les conducteurs au contacteur et les conduits.
10. Rattachez le fond du placard et les couvercles de la clôture avant de monter et brancher l'appareil.

B. Remplacement des thermorupteurs haute-limite:

1. Débranchez l'alimentation électrique de l'appareil et détachez le couvercle de clôture.
2. Détachez la barrière au câblage afin d'exposer les thermorupteur haute-limite.
3. Détachez les fils du thermorupteur haute-limite et notez leurs positions.

4. Détachez les deux écrous utilisés pour attacher le thermorupteur haute-limite.
5. Levez et détachez la plaque de montage en tôle.
6. Soigneusement soulever et enlever le thermorupteur haute-limite.
7. N'utilisez que des éléments originaux de manufacture pour assurer une opération en sécurité.
8. Couvrez, légèrement, les nouvelles ampoules thermorupteurs manuelles comme automatique avec le composé inclus pour le transfert de la chaleur. Cette procédure est essentielle pour le fonctionnement correct des thermorupteurs.
9. Glissez l'ampoule automatique soigneusement dans le puits thermométrique de **gauche** et l'ampoule manuelle dans le puits thermométrique de **droite**.
10. Rattachez la plaque de tôle. Notez bien que la plaque de tôle sert aussi à retenir les ampoules thermorupteurs dans leur puits.
11. Prenez soin qu'en installant la commande haute-limite les capillaires ne soient pas vrillés.
12. Rattachez les conducteurs au thermorupteur et réinstallez la barrière au câblage.
13. Avant de mettre l'appareil en marche, faites certain que le couvercle du placard est en place.

C. Remettre en circuit le thermorupteur manuel:

Tous les appareils de chauffage contiennent une remise en circuit manuel du thermorupteur avec ou sans un contacteur de secours.

1. Débranchez le conduit de l'appareil de chauffage et enlever les couvercles du placard.
2. Résolvez la cause du déclenchement de la remise en circuit du thermorupteur manuel et corrigez la situation. Voyez la section intitulée "maintenance".
3. Remettez en circuit le thermorupteur manuel en appuyant sur le bouton rouge au centre.
4. Remplacez le couvercle du placard sûrement
5. Mettez en marche le circuit alimentation électrique
6. L'appareil de chauffage et aussi le ventilateur devraient se mettre en marche, et dans 5-15 minutes achever une température d'opération fixe.
7. Notez et reportez toutes caractéristiques d'opération qui soient douteuses ou étranges comme du bruit, de la vibration, ou perte de liquide etc.
8. Si l'appareil de chauffage marche normalement, mettez-le en opération normale.

D. Remplacement du moteur et de l'hélice du ventilateur:

Le moteur est lubrifié à vie et aucune maintenance n'est nécessaire. Si le moteur du ventilateur ne marche plus, il faut obtenir un remplacement de la manufacture.

1. Remplacement du moteur du ventilateur:
 - a. Coupez l'alimentation électrique

- b. Détachez les conduits d'alimentation des contacteurs dans la boîte de câblage.
- c. Démontez l'union de conduit au centre de câblage sur le moteur.
- d. Détachez le garde-hélice et les boulons de montage du moteur.
- e. Enlevez le moteur de l'assemblé de l'appareil de chauffage.
- f. Détachez l'hélice et l'union de conduit du moteur défectif et attachez-les au nouveau moteur.
- g. Installez le nouveau moteur en le montant avec les boulons et écrous sauvegardés pendant le démontage.
- h. Réinstallez le garde-hélice supérieur et faites certain que l'hélice tourne librement.
- i. Poussez les fils du moteur dans le conduit jusqu'à la boîte de câblage.
- j. Rattachez l'union de conduit. Rattachez les conducteurs du moteur au contacteur.
- k. Vérifiez la rotation du ventilateur en le branchant pour juste un moment. Le mouvement de l'air devrait sortir du fond du placard de l'appareil de chauffage. Si la rotation est au sens inverse, il faut dégager l'alimentation électrique et détacher et échanger le placement des deux conducteurs au moteur.

1. Avant de mettre l'appareil de chauffage en service, rattachez le couvercle de la boîte de câblage.

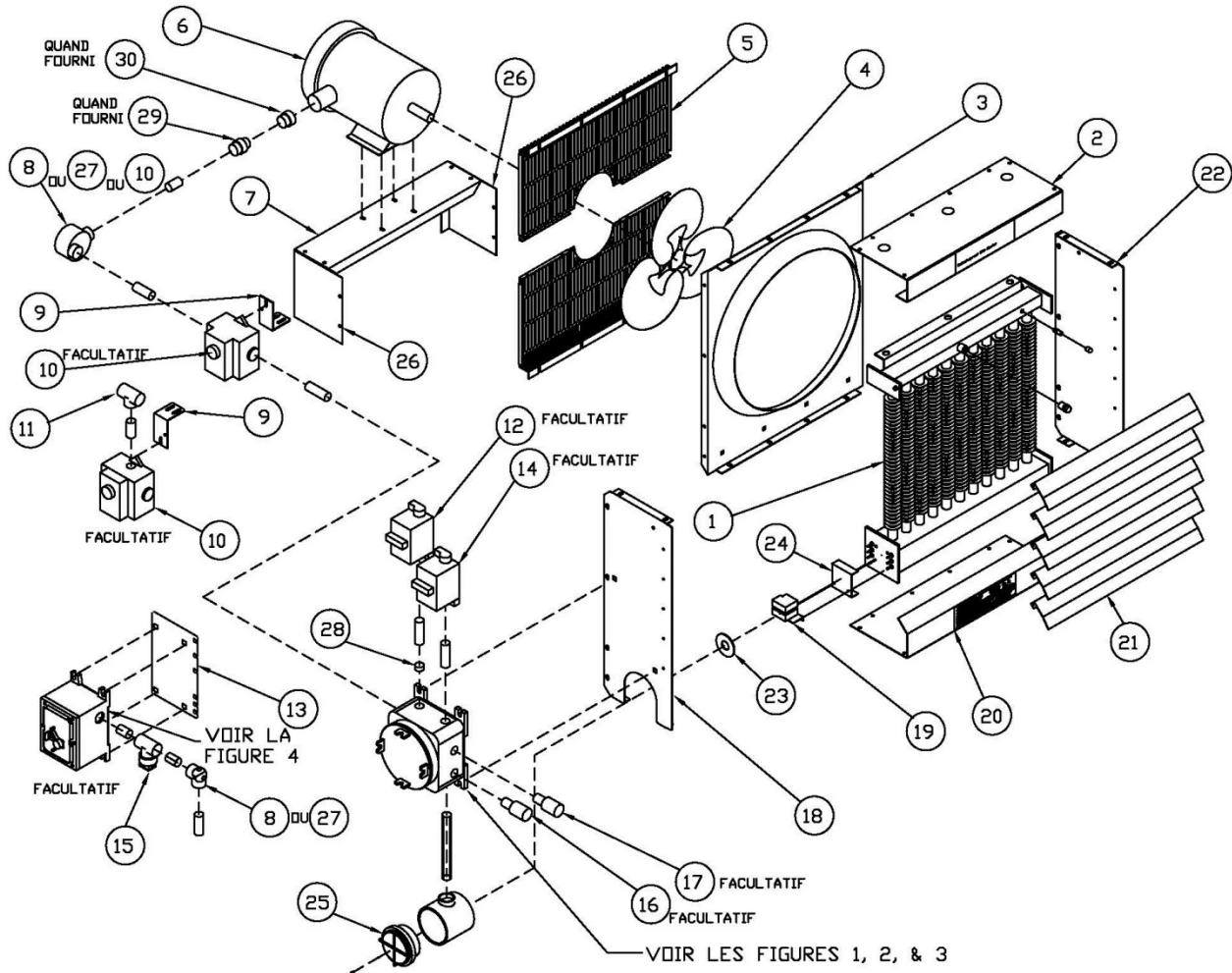
2. Remplacer l'hélice du moteur:

- a. Détachez le garde-hélice supérieur.
- b. Détachez les 4 boulons de montage du moteur et détachez l'union du conduit du moteur.
- c. Déserrez le boulon qui attache l'hélice à l'arbre moteur.
- d. Glissez le moteur en arrière et inclinez-le afin d'enlever la vieille hélice et en installer une nouvelle.
- e. Resserrez le boulon qui attache l'hélice à l'arbre moteur.
- f. Rattachez l'union de conduit du moteur et les 4 boulons de montage du moteur.
- g. Rattachez le garde-hélice supérieur et faites certain que l'hélice tourne librement.

Eléments de Remplacement

1. Tous remplacements doivent être fournis par la manufacture afin d'assurer l'opération sauve de l'appareil de chauffage.
2. Notez et marquez les fils en vous adressant au schématique électrique afin d'assurer des connexions correctes.

En contactant la manufacture pour des éléments de remplacement, donnez le numéro du catalogue de l'appareil de chauffage et aussi le numéro des éléments dans les illustrations ci-dessous.



ITEM	DESCRIPTION
1	Radiateur
2	Placard (partie supérieur)
3	Ventilateur venturi
4	Hélice
5	Garde-Hélice
6	Moteur du ventilateur
7	Applique Moteur (supérieur)
8	Jonction de conduit du moteur
9	Applique du thermostat
10	Thermostat
11	Conduites Tee
12	Interrupteur de débranchement
13	Applique interrupteur grand
14	Interrupteur ventilateur
15	Sceau de conduites

ITEM	DESCRIPTION
16	Voyant – bas
17	Voyant – haut
18	Placard- partie gauche
19	Thermorupteur haute-limite
20	Placard – partie inférieure
21	Placard persienne
22	Placard – partie droite
23	Barrière haute-limite
24	Applique haute-limite
25	Couvercle
26	Applique moteur – côtes
27	Coude Conduit
28	Coussinet de Réduction
29	Union de conduites
30	Coussinet de Réduction

Sélectionnez le schéma de votre appareil

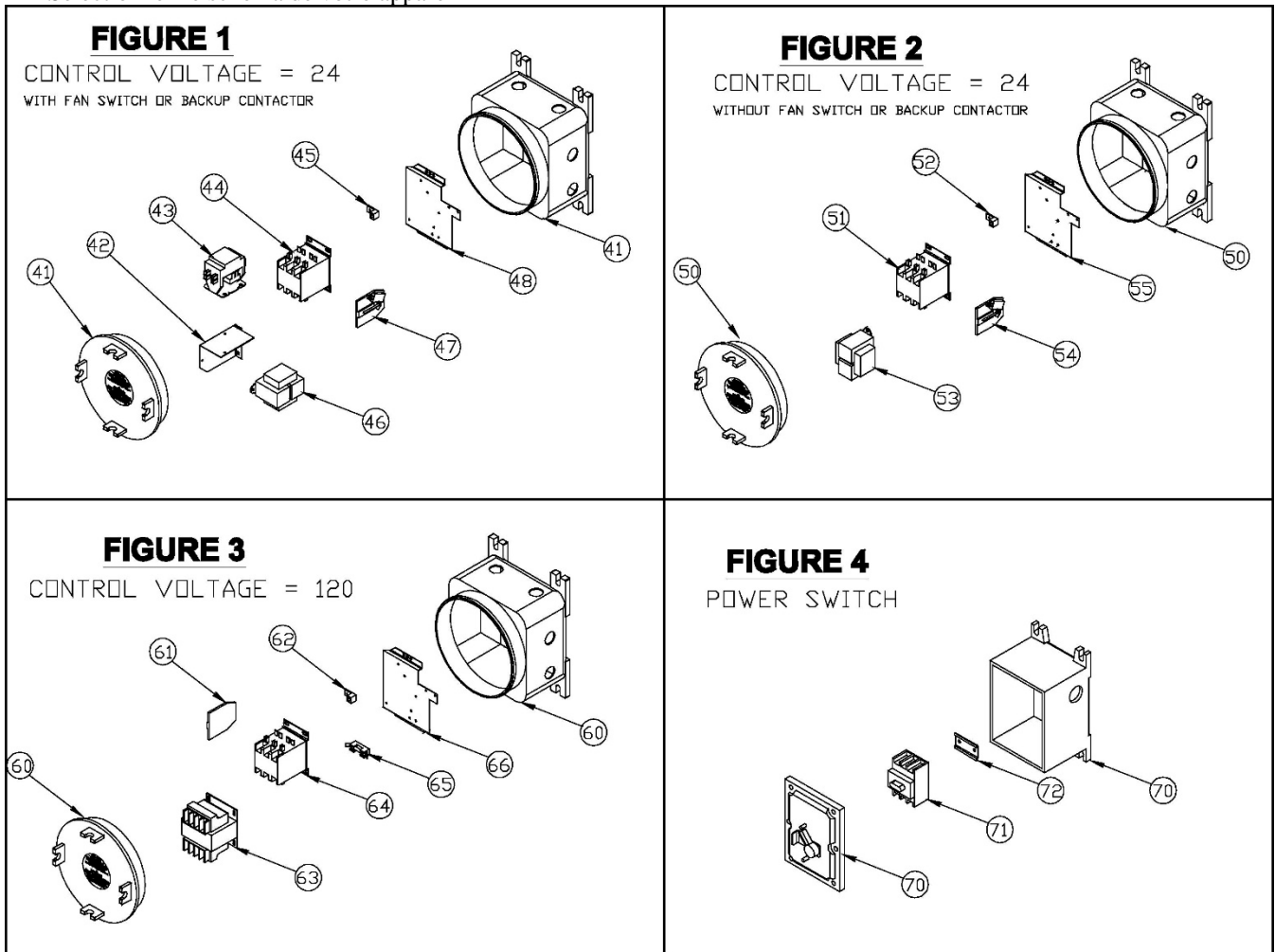


FIGURE 1:

ITEM	DESCRIPTION
41	Boîte de câblage
42	Applique optionnel
43	Contacteur optionnel
44	Contacteur principal
45	Mis-à-terre
46	Transformateur
47	Contacteur auxiliaire
48	Applique principal

FIGURE 3:

ITEM	DESCRIPTION
60	Boîte de câblage et couvercle
61	Contacteur auxiliaire
62	Mis-à-terre
63	Transformateur
64	Conducteur Principal
65	Transformateur Fusible et bloc F
66	Applique Principal

FIGURE 2:

ITEM	DESCRIPTION
50	Boîte de câblage et couvercle
51	Contacteur principal
52	Mis-à-terre
53	Transformateur
54	Contacteur auxiliaire
55	Applique principal

FIGURE 4:

ITEM	DESCRIPTION
70	Boîte d'interrupteur et couvercle
71	Interrupteur de débranchement
72	Piste interrupteur débranchement