

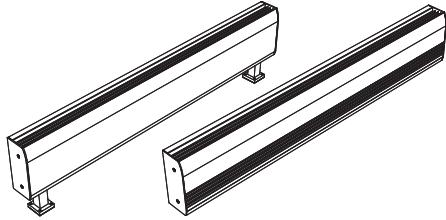


470 Beauty Spot Rd. E, Bennettsville, SC 29512

# SUBMITTAL SHEET

## Slim Line Architectural Sill-Height Convection Heaters

### Type DBSL



**Dimensions**

Type	Height	Width	Length
DBSL	6" 152mm	2-3/4" 70mm	24" to 12' 610mm to 3658mm

JOB NAME: \_\_\_\_\_

LOCATION: \_\_\_\_\_

ARCHITECT: \_\_\_\_\_

ENGINEER: \_\_\_\_\_

CONTRACTOR: \_\_\_\_\_

SUBMITTED BY: \_\_\_\_\_

DATE: \_\_\_\_\_

ITEM	QTY.	CATALOG NUMBER	TAG	WATTS	VOLTS	AMPS	BUILT-IN CONTROLS

ACCESSORIES  
AND  
CONTROLS

ITEM	QTY.	CAT. NO.	TAG	DESCRIPTION

<b>SUBMITTED BY:</b>	<b>DATE</b>	<b>APPROVED BY:</b>	<b>DATE</b>

**DBSL SERIES - SLIM LINE ARCHITECTURAL SILL-HEIGHT CONVECTOR HEATERS**

**SPECIFICATIONS**

CATALOG NUMBER (See Note 2)	DIMENSIONS (SEE NOTE 1) W x H x L	WATT DENSITY	NO. OF ELEMENTS	SHIP WEIGHT LBS.
DBSL01	2 3/4" x 6" x 24"	125 W/Ft. ++ 150 W/Ft. +++ 188 W/Ft. + 250 W/Ft. ++++	1	8
DBSL02	2 3/4" x 6" x 28"	100 W/Ft. ‡ 125 W/Ft. * 150 W/Ft. * 188 W/Ft. * 250 W/Ft. **	1	8
DBSL03	2 3/4" x 6" x 3'	100 W/Ft. * 125 W/Ft. ** 150 W/Ft. ** 188 W/Ft. ** 250 W/Ft. **	1	10
DBSL04	2 3/4" x 6" x 4'	100 W/Ft. ** 125 W/Ft. ** 150 W/Ft. ** 188 W/Ft. 250 W/Ft.	1	13
DBSL05	2 3/4" x 6" x 5'	100 W/Ft. ** 125 W/Ft. 150 W/Ft. 188 W/Ft. 250 W/Ft.	1	17
DBSL06	2 3/4" x 6" x 6'	100 W/Ft. 125 W/Ft. 150 W/Ft. 188 W/Ft. 250 W/Ft.	1	20
DBSL07	2 3/4" x 6" x 7'	100 W/Ft. 125 W/Ft. 150 W/Ft. 188 W/Ft. 250 W/Ft.	1	24
DBSL08	2 3/4" x 6" x 8'	100 W/Ft. 125 W/Ft. 150 W/Ft. 188 W/Ft. 250 W/Ft.	1	27
DBSL09	2 3/4" x 6" x 9'	100 W/Ft. 125 W/Ft. 150 W/Ft. 188 W/Ft. 250 W/Ft.	1	30
DBSL10	2 3/4" x 6" x 10'	100 W/Ft. 125 W/Ft. 150 W/Ft. 188 W/Ft. 250 W/Ft.	1	33

- Cabinet available up to 12' length.
- Backs are provided standard with no finish. For finished backs, add 10% to List price.
- Knockouts on back omitted by request only.
  - + Not available in 220V, 347V or 600V.
  - ++ Not available in 120V, 208V, 240V, 277V, 347V or 600V.
  - +++ Not available in 120V, 220V, 277V, 347V or 600V.
  - ++++ Not available in 120V, 220V, 347V or 600V.
  - \* Not available in 347V or 600V.
  - \*\* Not available in 600V.
  - ‡ Not available in 277V, 347V, or 600V.

**NOTE:** All models are NON-STOCK made-to-order.s ordering, specify quantity, catalog number, voltage, wattage, optional controls, and color. Consult sales representative for lead times.

**BLANK SECTIONS & ACCESSORIES  
(FOR MODEL DBSL CONVECTORS)**

CATALOG NUMBER (SEE NOTE 1)	DIMENSIONS W x H x L	INLET	SHIP WEIGHT LBS.
SLCBS1F	2 3/4" x 6" x 1'	Front Inlet	4
SLCBS1B		Bottom Inlet	
SLCBS2F	2 3/4" x 6" x 28"	Front Inlet	7
SLCBS2B		Bottom Inlet	
SLCBS3F	2 3/4" x 6" x 3'	Front Inlet	9
SLCBS3B		Bottom Inlet	
SLCBS4F	2 3/4" x 6" x 4'	Front Inlet	12
SLCBS4B		Bottom Inlet	
SLCBS5F	2 3/4" x 6" x 5'	Front Inlet	16
SLCBS5B		Bottom Inlet	
SLCBS6F	2 3/4" x 6" x 6'	Front Inlet	19
SLCBS6B		Bottom Inlet	
SLCBS7F	2 3/4" x 6" x 7'	Front Inlet	22.5
SLCBS7B		Bottom Inlet	
SLCBS8F	2 3/4" x 6" x 8'	Front Inlet	24
SLCBS8B		Bottom Inlet	
SLCBS9F	2 3/4" x 6" x 9'	Front Inlet	27
SLCBS9B		Bottom Inlet	
SLCBS10F	2 3/4" x 6" x 10'	Front Inlet	30
SLCBS10B		Bottom Inlet	

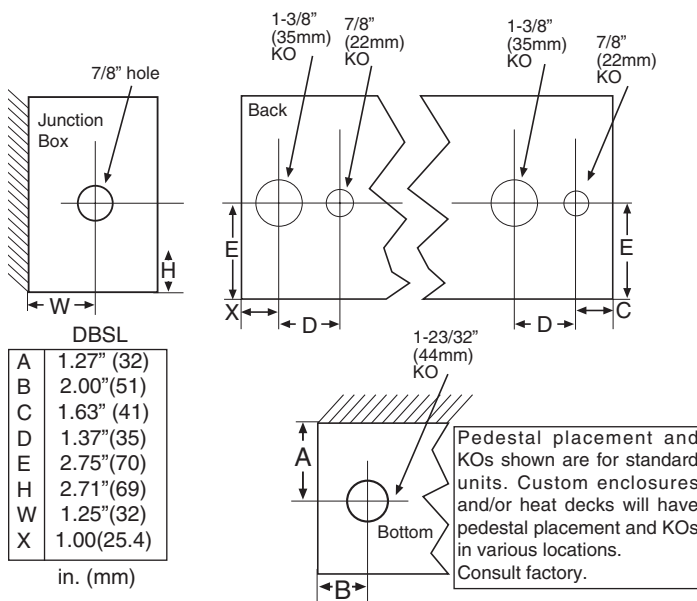
**NOTE:** Blank section grilles are not punched unless requested.

ACCESSORY CATALOG NUMBER *	DESCRIPTION	ADDITIONAL WALL SPACE REQUIRED	SHIP WEIGHT LBS.
SLCECL	End Cap - Left	1/8"	1
SLCECR	End Cap - Right	1/8"	1
SLCICF	Inside Corner-Front In	5 b/8"	5
SLCICB	Inside Corner-Bottom In	5 1/8"	5
SLCOCF	Outside Corner-Front In	2 1/2"	4
SLCOCB	Outside Corner-Bottom In	2 1/2"	4
SLCDESBL	Dec. End Section-Bot In, Left	9 9/64"	5
SLCDESBR	Dec. End Section-Bot In, Right	9 9/64"	5
SLCDESFL	Dec. End Section-Fnt In, Left	9 9/64"	4
SLCDESFR	Dec. End Section-Fnt In, Right	9 9/64"	4
SLCSP	Splice Plate	0" - 1/4"	1
SLCFL3	Filler Section 3"	0" - 3"	1
SLCFL6	Filler Section 6"	3" - 6"	1
SLCFL9	Filler Section 9"	6" - 9"	1
SLCFL12	Filler Section 12"	9" - 12"	1
SLCFL18	Filler Section 18"	12" - 18"	1.5
SLCFL24	Filler Section 24"	18" - 24"	1.5
SLCDRF	Receptacle Section-Fnt In	4 1/2"	1.5
SLCDRB	Receptacle Section-Bot In	4 1/2"	1.5
SLCPEF	Pneu/Ele Sw-Fnt In	4 1/2"	2
SLCPEB	Pneu/Ele Sw-Bot In	4 1/2"	2
SLCPK3A **	Architectural Pedestal	-	2
SO1A	Stand-Off Bracket	-	1

- \* Add suffix -P for painted, -C for clear anodized, -B for bronze anodized.
- \*\* One pedestal. Two required on units up to 10', three required on units over 10'.

SUFFIX ADDITION TO BASIC CAT. NO. (SEE NOTE D)	OPTIONAL BUILT-IN CONTROLS	RATINGS
T	1-Pole Thermostat	Rated 24 amps @ 120-240 VAC and 22 amps @ 277 VAC. Pilot duty rating of 125 VA (all voltages). 60-120°F temperature range adjustable through outlet grille-tamper-resistant. (See Note B.)
2T	2-Pole Thermostat	Rated 24 amps @ 120-240 VAC and 22 amps @ 277 VAC. Pilot duty rating of 125 VA (all voltages). 60-120°F temperature range adjustable through outlet grille-tamper-resistant. (See Note B for amperage restrictions.)
DS	Power On/Off Switch	Double-pole, rated 20 amp @ 120-277 VAC. (See Note A.) For heaters over 20 amps specify two.
TR	Transformer Relay	Single-pole, low voltage relay with built-in transformer (24 VAC control), rated 25 amps @ 120-240 VAC and 22 amps @ 277 VAC. (See Note E and F) 17 amps @ 347V, 12 amps @ 600V. Not available for 3Ø heaters.
PR	Power Relay	Single-pole magnetic relay, rated 25 amps @ 120-600 VAC. (See Notes E). Specify control voltage.
PE	Pneumatic / Electric Switch	Pressure set-point @ 10 PSIG adjustable to 30 PSIG. Can be set to "make" or "break" on pressure drop. Rated 25 amps @ 120-277 VAC. (See Note F.)
PDT	1-Pole Thermostat	Same as -T except Pilot Duty. (See note C)
R	Receptacle	For built-in or as installed in a control section

- A. For 1Ø loads over 20A, specify 2 power on/off switches.  
 B. This control option is not available on single-phase heaters over 24 amps (22 amps on 277 VAC). In combination with the power on/off switch option use the 2T thermostat option on heaters over 20 amps.  
 C. Requires PR or TR.  
 D. Up to 30 power relays in different heater can be controlled by each stage of a two-stage pilot duty thermostat.  
 E. Two relays are required on single-phase heaters over 20 amps with a power on/off switch, over 25 amps without a power on/off switch.  
 F. For DBSL Series the TR (transformer relay) R (Duplex Receptacle) PE (Pneumatic switch) will be installed in separate 4 inch long internal control boxes.



## ARCHITECT'S AND ENGINEER'S SPECIFICATIONS\*

Furnish and install, where indicated on plans, DBSL Series convector type heaters, suitable for continuous operation, as manufactured by QMark, A Marley Engineered Products Brand, Bennettsville, SC.

**ENCLOSURE** Shall be 12-gauge (.080" min.) aluminum extrusion. The one-piece back and bottom shall join to the one-piece top and front utilizing Qmark's Snap-Lock design (patent pending). Both inlet and outlet air grilles shall be punched pencil-proof slots negating the need for mesh under the grille.

**SIZE** Heaters shall be low profile (2-3/4" x 6") and available in length from 24 inches through 10 feet. Additionally, custom length cabinets up to 12 feet with single or multiple heat decks shall be furnished as specified.

**HEATING LENGTHS AND VOLTAGES** Heater lengths, voltages and wattage capacities shall be as indicated on the plans.

**FINISH** The top and front shall be finished with polyester powder paint or anodized.

**HEATING ELEMENTS** The nickel-chromium heating element wire shall be encased in a steel sheath for maximum, trouble-free element life. Aluminum fins shall be pressure bonded to the steel sheath. Elements shall be centered anchored and shall float freely at each end through high-temperature Noryl bushings.

**CONTROL SECTIONS** Control sections, finished to match heaters, shall be furnished as an optional accessory for field installation of controls, or shall be used to house factory-installed controls as specified.

**OPTIONAL BUILT-IN CONTROLS** Thermostats, power relay, low-voltage control relays, and power on/off switches, singly or in combination, may be specified for factory installation in heaters. Thermostats and power on/off switches are accessible through the grille.

**PEDESTALS** The heater shall be convertible for use as a self-standing unit with pedestal conversion kit. Pedestals shall be painted steel or anodized aluminum. Pedestals can either be mounted on or embedded in the floor surface and wiring or conduit brought through the pedestal during installation.

\*QMark reserves the right to change specifications without prior notice.



**Marley**<sup>®</sup>  
Engineered Products

470 Beauty Spot Rd. East  
Bennettsville, SC 29512 USA