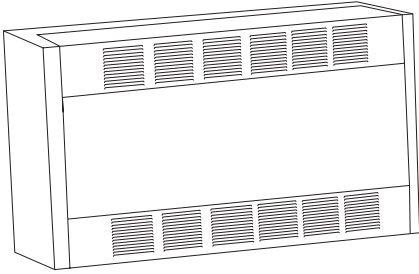


PRODUCT SUBMITTAL SHEET



Capacities
2 - 32 KW 208, 240, 277, 347, 380, 480 or 600V 1 or 3 Phase Thermostat Range: 40° - 90° F Air Movement: 500 CFM MAX

CU SERIES CABINET UNIT HEATERS



Job Name: _____

Location: _____

Architect: _____

Engineer: _____

Contractor: _____

Submitted By: _____

Date: _____

Submitted By:	Date:
Approved By:	Date:

Item	QTY	Catalog Number	Tag	Watts	Volts	PH	AMPS	Weight

ACCESSORIES			
Item	QTY	Part Number	Tag

470 Beauty Spot Road East
Bennettsville, South Carolina 29512
www.marlymep.com

SELECTION CHART

SERIES	HEATING CAPACITY		FINAL AIR TEMP (Deg. F)*	CFM	TOTAL LINE AMPERAGE (INCLUDING MOTOR AMPS)								Approx. Ship. Weight (lbs.)	
	KW	BTU/Hr			208 1 PH 60 HZ	208 3 PH 60 HZ	240 1 PH 60 HZ	240 3 PH 60 HZ	277 1 PH 60 HZ	347 1 PH 60 HZ	380 3 PH 60 HZ	480 3 PH 60 HZ		600 3 PH 60 HZ
CU935 Cabinet Length 35"	2	6826	85		10	6	9	6	8	7	4	3	3	120
	3	10239	98	High	15	9	13	8	12	9	5	4	4	
	4	13652	111	250	20	12	17	10	15	12	7	6	5	
	5	17065	123		25	15	22	13	19	15	8	7	6	
	6	20478	136	Low	30	17	26	15	22	18	10	8	7	
	7	23891	148	200	34	20	30	18	26	21	11	9	7	
	8	27304	161		39	23	34	20	30	24	13	10	8	
	4	13652	85		20	12	18	11	16	13	7	6	5	
6	20478	98	High	30	18	26	16	23	18	10	8	7		
8	27304	111	500	40	23	34	20	30	24	13	11	9		
10	34130	123		48	29	43	25	37	30	16	13	11		
12	40956	136	Low	59	34	51	30	44	36	19	16	13		
14	47782	148	400	68	40	59	35	52	41	22	18	15		
16	54608	161		78	46	68	40	59	47	25	20	17	200	
6	20478	85	High	30	18	26	16	23	18	10	8	7		
8	27304	96	750	40	23	34	20	30	24	13	11	9		
10	34130	103		48	29	43	25	37	30	16	13	11		
12	40956	111	Low	59	34	51	30	44	36	19	16	13		
14	47782	118	600	68	40	59	35	52	41	22	18	15	260	
16	54608	128		78	46	68	40	59	47	25	20	17		
6	20478	85		31	19	27	16	24	19	11	9	8		
9	30717	98	High	45	27	39	24	34	28	16	13	11		
12	40956	111	750	60	35	52	31	45	36	20	16	13	300	
15	51195	123		74	44	64	38	56	45	25	20	16		
18	61434	136	Low	88	52	77	45	67	N/A	29	24	19		
21	71673	148	600	N/A	60	89	52	78	N/A	34	27	22		
24	81912	161		N/A	69	N/A	60	N/A	N/A	38	31	25	300	
8	27304	85		41	24	36	21	31	25	14	12	10		
12	40956	98	High	60	36	52	31	46	37	20	17	14		
16	54608	111	1000	79	47	69	41	60	48	27	21	18		
20	68260	123		N/A	58	86	50	74	N/A	33	26	21		
24	81912	136	Low	N/A	69	N/A	60	N/A	N/A	39	34	25		
28	95564	148	800	N/A	80	N/A	70	N/A	N/A	45	36	29	300	
32	109216	161		N/A	91	N/A	79	N/A	N/A	N/A	41	33		

* Based on 60° F inlet air temperature.

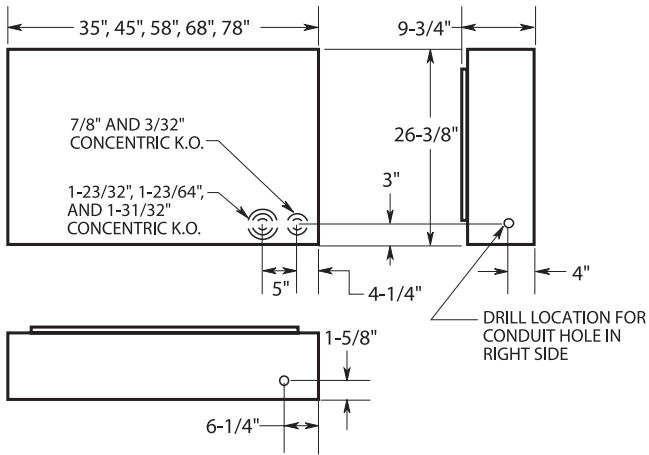
OPTIONAL ACCESSORIES (Factory Installed)

DESCRIPTION	FUNCTION
REMOTE MOUNTED SINGLE STAGE THERMOSTAT	Remote mounted single stage wall thermostat replaces standard built-in thermostat.
2 STAGE THERMOSTAT (Built-or Remote)	Built-in (or remote mounted) two stage thermostat that the elements for 2/3 heat for stage one and full heat for second stage. Fan cycles on high speed only.
120 VOLT CONTROL (Internally generated)	120 volt internally generated control voltage is available. Field supplied 120 volt control supply can be applied to heater. Requires removing only one jumper wire in the control panel.
MANUAL RESET	Manual Reset over temperature cutout wired into control circuit. Supplied in addition to auto-reset cutout.
DEAD FRONT DISCONNECT SWITCH	A three pole non-fused disconnect switch disconnects power to the heater.
DEAD FRONT FUSED DISCONNECT SWITCH	Design prevents entry into the control compartment until disconnect switch is turned to the OFF position.
SUMMER FAN SWITCH ON-OFF SWITCH	Built-in switch provides continuous fan operation with or without heat, or automatic fan cycling as the heat cycles on and off.
NIGHT SET-BACK RELAY	Provides ability to set-back heater from energy management system that supplies (Specify - 24 volts or 120 volts) to the relay holding coil for day operation.
MOTORIZED 100% OUTSIDE AIR DAMPER	24 volt electronically controlled damper with rear mounted duct collar permits infinite adjustment of outside air from 0% to 100%. Damper closes automatically in event of power failure or if the "OPEN - CLOSED" switch is in the closed position. Available only with heaters having 24 volt control supply. Can not be used with 120 volt control supply.
KEY LOCK for FRONT COVER	Two (2) toolhead key lock style spring latches prevent unauthorized adjustment of controls and provide additional safety from injury due to contact with internal components.
INLET or DISCHARGE DUCT COLLAR(S) (ea.)	Collars provide easy connection of field supplied duct work. We do not recommend exceeding 0.2" wg external static pressure. Heater with duct collars are with a single speed high static motor.

OPTIONAL ACCESSORIES (Field Installed)

Recess Trim Kit	Provides a neat finish to semi-recessed or full recessed applications.
Base Kit	16 gauge, muted black base is recessed from the heater front and sides to provide an attractive and practical floor mounting application.
Aluminum Wall Louver	Used on exterior of masonry or panel walls of 2-3/4" or greater to provide a finished exterior. For heaters with 100% outside air.

DIMENSIONS



CLEARANCE

Heater Wall Mounted

Front Discharge, No obstruction within 24" of discharge.
Top Discharge, No obstruction within 24" of discharge.

Front Intake, Zero or greater to base of heater.
Bottom Intake, No obstruction within 24" of discharge.

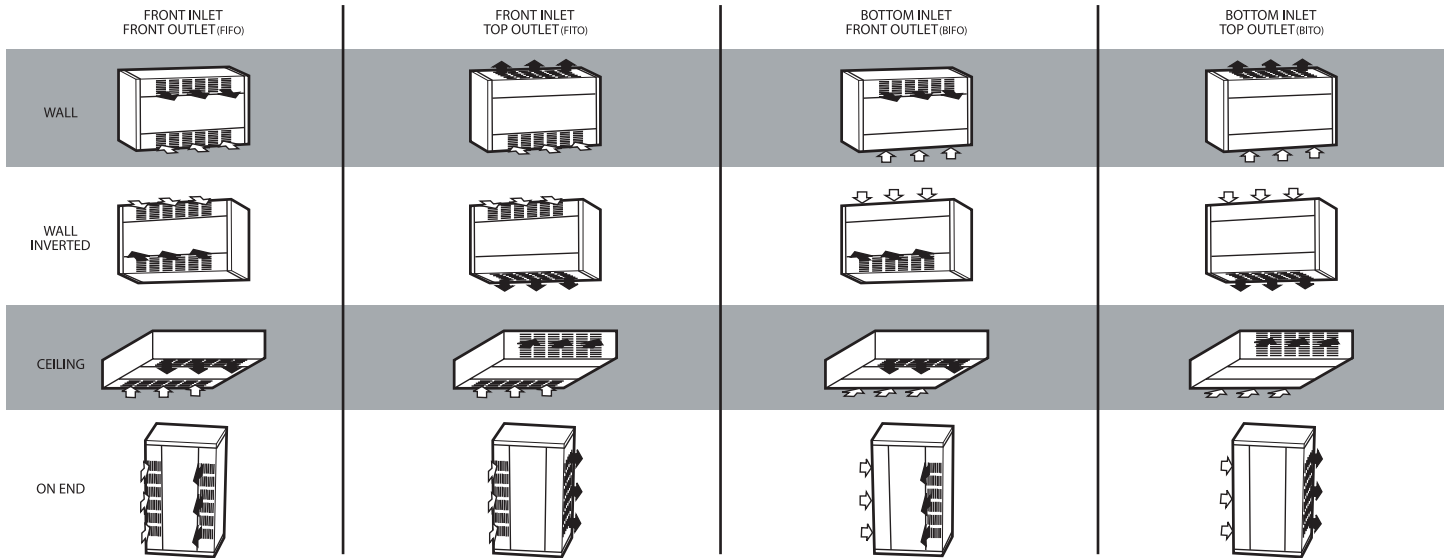
Heater Ceiling Mounted

Front Discharge, No obstruction within 24" of discharge.
Top Discharge, No obstruction within 24" of discharge.

Front Intake, Zero or greater to base of heater.
Bottom Intake, No obstruction within 24" of discharge.

Minimum 2" to side wall.

AIR FLOW



ARCHITECT'S AND ENGINEER'S SPECIFICATIONS

The electric cabinet unit heaters shall be as manufactured by QMark®, a Marley Engineered Products Brand. Heaters shall be UL/cUL Listed, designed for mounting in any position, including on-end, fully recessed, semi-recessed or surface mounted. All capacities, voltages, physical sizes should be as specified in the heater schedule. All three phase heaters shall have a balanced heating load. Control voltage is to be internally generated by 24 VAC (Optional 120 VAC).

CABINET - The cabinet shall be of heavy duty cold-rolled steel. The heater front covers shall be securely attached to the cabinet with a maximum of two slotted head style spring latches (optional Toolhead Key Lock) and easily removable for access to elements, filters and control panel. Cabinet shall be finished in Beige (Optional - Color by Architect) polyester powder coated.

HEATING ELEMENTS - The heating elements shall be warranted for five years and shall be of non-glowing design consisting of 80/20 NiChi resistance wire enclosed in a steel sheath to which steel plate fins are brazed. The heating element shall be located directly in front of the blower discharge air for uniform heating.

SAFETY THERMAL CUTOUTS - Thermal safety cutouts shall be built into the system to automatically shut off heater in event of overheating due to any cause. The safety cutouts shall directly interrupt power to the elements and not depend on relays to interrupt the power. (Optional backup manual reset thermal safety cutout in the control circuit shall prevent heater reenergizing until cause of overheating has been cleared by a qualified service technician).

MOTOR AND BLOWER ASSEMBLY - The motor(s) and blower(s) shall be direct drive and resiliently mounted on a rigid heavy duty frame for quiet operation and long life. The motor(s) shall be two speed 1/8 H.P. with automatic reset

overload protection. The motor shall be vented and mounted in the air stream to provide maximum cooling of the motor(s). Motor(s) fuse protection shall be provided to meet UL, cUL and NEC requirements. The blower(s) shall be forward curved, double inlet, centrifugal type with discharge directly on the full length of the elements to provide uniform discharge air temperatures.

AIR FILTERS - The filter shall be located ahead of the motor and blower assembly to ensure clean air circulation. The filter shall filter both the returning room or the outside air if the optional outside air damper assembly is provided. Filter shall be easily removed for changing or cleaning by removing the front panel and pulling on the filter. A disposable filter is standard and a permanent washable filter is optional.

FRONT COVER INTERLOCK - Heater shall be provided with an electrical interlock to shut down the heater when the front cover is opened to provide safety to the maintenance personnel during filter cleaning (replacement) or other maintenance.

FAN DELAY CONTROL - Fan control shall delay start up of the fan motor(s) until the heating elements have warmed up. It shall maintain motor operation after heating elements have been de-energized to dissipate residual heat.

TEMPERATURE CONTROL - Thermostat shall be built-in, snap-action single stage with remote bulb sensor located in the return air stream. (Optional - built-in two stage remote bulb snap action thermostat, remote mounted single stage wall thermostat, remote mounted two stage wall thermostat) Terminals shall be provided in the control panel for direct connection of the remote wall mounted thermostats. Silent time delay relays shall be provided, rather than contactors, to eliminate the noise of contactor opening and closing.

TERMINALS FOR REMOTE INTERLOCK - Terminals shall be provided in the control panel for connection to Building Automation or Energy Management Systems.

HEAT SELECTION/FAN SPEED - Two fan speeds and high-low heat ranges shall be selectable by means of a single rocker switch located behind the front cover.

CIRCUIT BREAKERS - Circuit breakers shall be provided for branch circuit protection where required by UL, cUL and NEC (Optional - Circuit breakers shall be supplied on all heaters).

INTERCHANGEABLE INTAKE AND DISCHARGE LOUVERS - Heater shall be provided with intake louver that can be changed from front to bottom by removing a maximum of two screws. Discharge louvers shall be able to be changed from front to top by removing a maximum of two screws.

The Following Factory Installed/Prewired Optional Equipment Shall Be Supplied -

- Manual Reset Thermal Cutout
- Circuit Breakers
- Fan Auto-On (Summer Fan) Switch
- 120 Volt Control Supply
- Dead Front Disconnect Switch
- Dead Front Fused (Non Fused Disconnect Switch & Circuit Breaker) Disconnect Switch
- On-Off Switch
- Night Set-Back Relay
- 100% Outside Air Damper
- Inlet/Discharge Duct Collars
- Permanent (Washable) Filter

The Following Field Installed Optional Equipment Shall Be Supplied:

- Recess Trim Kit
- Base Kit
- Aluminum Wall Louver