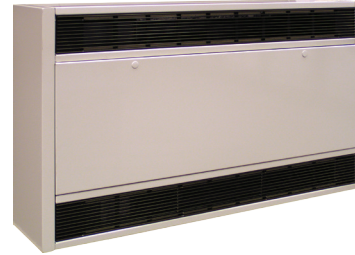


CUH900 SERIES CUSTOM CABINET UNIT HEATER



IDEAL SPACES

- School Hallways
- Churches
- Transportation Terminals
- Stairwells
- Entrance Ways
- Vestibules
- Lobbies
- Mechanical Rooms

COLORS

- Neutral Gray
- Charcoal Gray
- Aluminum
- Navajo White
- Northern White
- Statuary Bronze
- Desert Tan
- Gloss Black
- Custom Colors Available

DIMENSIONS

- 26-3/8"H x 9-3/4"D (length varies)

TEMP RANGE

- 55°– 85°F

CFM

- 200 – 1000

- BMS-compatible
- 16 air inlet/outlet combinations that are all field-changeable
- One-person maintenance on ceiling applications with hinged front panel
- Cabinet constructed of heavy 16-gauge cold-rolled steel to provide strength and finished with a polyester powder coating for corrosion resistance
- Motors are mounted with automatic thermal overload protection; motor fuse protection is provided on all heaters to meet safety requirements
- Plate fin element - steel fins are copper-brazed to low-watt density, steel-sheathed tubular heating elements
- Element is finished with aluminized paint for corrosion resistance
- Fins and elements are arranged in a uniform grid pattern and fit closely into the discharge area to assure that all outgoing air passes through the heating element
- Thermal safety cutout - installed with direct contact to the heating element. Automatically shuts off the heater in the event of overheating reactivates the heater when operating temperature returns to normal
- Built-in thermostat*– single-pole, snap-action thermostat with remote bulb sensor located directly in the air intake
- Tamper-resistant, two-position selector switch to select full heat at high fan speed and reduced heat at low fan speed*
- Automatic fan delay eliminates cold drafts on start-up and discharges residual heat from the heater body during shut down
- Front cover interlock de-energizes unit when front cover is removed for added safety
- Disposable air filter mounted in inlet air stream; optional permanent and washable aluminum filters available
- Standard stamped louvered grilles; optional architectural-style grille available; optional aluminum wall louver available, ideal for exterior masonry or panel walls

*Optional feature. Contact sales representative or factory regarding optional features available, including: built-in fan switch; 120V control, electronically controlled outside air damper; inlet and discharge duct collars; dead-front and fused dead-front disconnect switches; built-in night set back relay; and trim kits. See page 39 to find out how to order cabinet unit heaters.



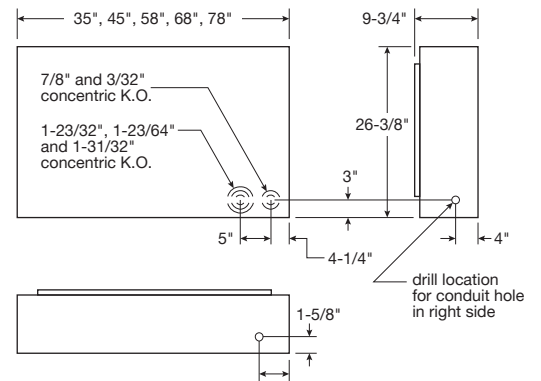
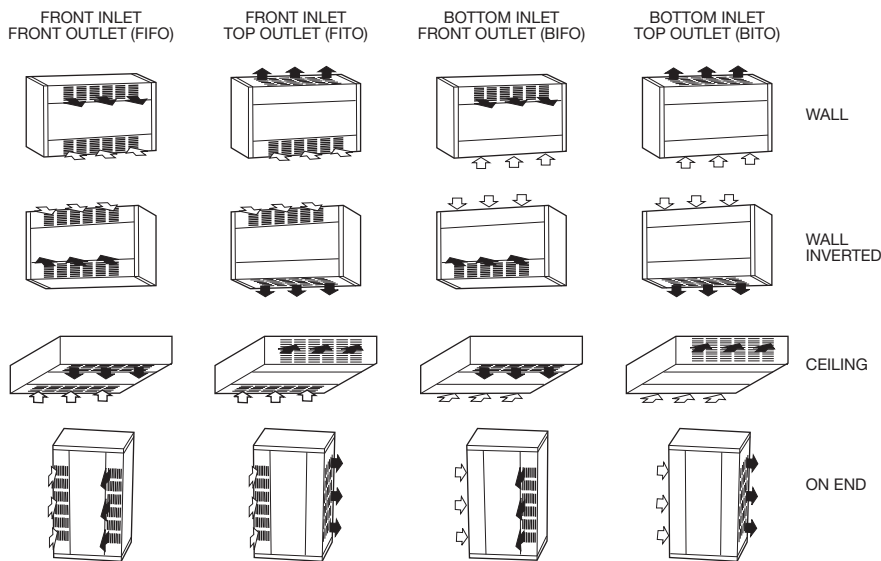
CUH900 SERIES

CUSTOM CABINET UNIT HEATER

MODELS & SPECIFICATIONS

SERIES	KW	BTU/HR	FINAL AIR TEMP (Deg. F)	CFM*	208 1 PH 60 HZ	208 3 PH 60 HZ	240 1 PH 60 HZ	240 3 PH 60 HZ	277 1 PH 60 HZ	347 1 PH 60 HZ	380** 3 PH 60 HZ	480 3 PH 60 HZ	600 3 PH 60 HZ
CU935 35 in. (L) 120 LBS.	2	6,826	85	250	10	6	9	6	8	7	4	3	3
	3	10,239	98		15	9	13	8	12	9	5	4	4
	4	13,652	111		20	12	17	10	15	12	7	6	5
	5	17,065	123		25	15	22	13	19	15	8	7	6
	6	20,478	136		30	17	26	15	22	18	10	8	7
	7	23,891	148		34	20	30	18	26	21	11	9	7
8	27,304	161	39	23	34	20	30	24	13	10	8		
CU945 45 in. (L) 160 LBS.	4	13,652	85	500	20	12	18	11	16	13	7	6	5
	6	27,478	98		30	18	26	16	23	18	10	8	7
	8	27,304	111		40	23	34	20	30	24	13	11	9
	10	34,130	123		48	29	43	25	37	30	16	13	11
	12	40,956	136		59	34	51	30	44	36	19	16	13
	14	47,782	148		68	40	59	35	52	41	22	18	15
16	54,608	161	78	46	68	40	59	47	25	20	17		
CU958 58 in. (L) 200 LBS.	6	20,478	85	750	30	18	26	16	23	18	10	8	7
	8	27,304	96		40	23	34	20	30	24	13	11	9
	10	34,130	103		48	29	43	25	37	30	16	13	11
	12	40,956	111		59	34	51	30	44	36	19	16	13
	14	47,782	118		68	40	59	35	52	41	22	18	15
	16	54,608	128		78	46	68	40	59	47	25	20	17
CU968 68 in. (L) 260 LBS.	6	20,478	85	750	31	19	27	16	24	19	11	9	8
	9	30,717	98		45	27	39	24	34	28	16	13	11
	12	40,956	111		60	35	52	31	45	36	20	16	13
	15	51,195	123		74	44	64	38	56	45	25	20	16
	18	61,434	136		88	52	77	45	67	-	29	24	19
	21	71,673	148		-	60	89	52	78	-	34	27	22
24	81,912	161	-	69	-	60	-	-	38	31	25		
CU978 78 in. (L) 300 LBS.	8	27,304	85	1,000	41	24	36	21	31	25	14	12	10
	12	40,956	98		60	36	52	31	46	37	20	17	14
	16	54,608	111		79	47	69	41	60	48	27	21	18
	20	68,260	123		-	58	86	50	74	-	33	26	21
	24	81,912	136		-	69	-	60	-	-	39	31	25
	28	95,564	148		-	80	-	70	-	-	45	36	29
32	109,216	161	-	91	-	79	-	-	-	41	33		

NOTE: RED numbers represent circuit breakers or fused disconnect required. **380V units will operate with a 16% reduction in heating capacity. +Based on 60°F inlet air temperature. *Values shown is high speed.



ACCESSORIES

CATALOG NO.	DESCRIPTION	COMPATIBLE WITH	FUNCTION	SHIP WT. (LBS)
CU935RTK	Ceiling or Wall Recess Trim Kit	CU935	Provides a neat finish to semi-recessed or full recessed application.	3
CU945RTK		CU945		4
CU958RTK		CU958		5
CU968RTK		CU968		6
CU978RTK		CU978		7
CU935BK	Floor/Toe-Space Base Kit	CU935	16 gauge, muted black base is recessed from the heater front and sides to provide an attractive and practical floor mounting application.	9
CU945BK		CU945		10
CU958BK		CU958		11
CU968BK		CU968		13
CU978BK		CU978		15
CU935AWL	100% Outside Air, Exterior Aluminum Wall Louver	CU935	Used on exterior of masonry or panel walls of 2-3/4" or greater to provide a finished exterior For heaters 100% outside dampers.	5
CU945AWL		CU945		6
CU958AWL		CU958		7
CU968AWL		CU968		9
CU978AWL		CU978		10
CU935WF	Permanent, Reusable Washable Filter	CU935	Replaces standard filter Washable filter can be cleaned and replaced.	4
CU945WF		CU945		6
CU958WF		CU958		8
CU968WF		CU968		10
CU978WF		CU978		12

OPTIONAL FACTORY-INSTALLED ACCESSORIES

ACCESSORY	DESCRIPTION	
2-STAGE THERMOSTAT Built-or Remote	Standard	Built-in (or remote-mounted) single-pole, single-stage thermostat that cycles the element(s) and fan. Fan speed and element wattage selected by the built-in HIGH or LOW selector switch.
	Optional	Built-in (or remote-mounted) two-stage thermostat that cycles 2/3 of the element for during first stage and full heat during second stage. Fan cycles on high speed only.
120V CONTROL Internally Generated	Standard	Control supply is internally generated 24V. Field supplied 24V control supply can be applied to heater. (Requires removing only one jumper wire in the control panel.)
	Optional	120V internally generated control voltage is available. Field supplied 120V control supply can be applied to heater. (Requires removing only one jumper wire in the control panel.)
MANUAL RESET	Standard	Heater is supplied with auto-reset over temperature cutout.
	Optional	Manual Reset over temperature cutout wired into control circuit. Supplied in addition to auto-reset cutout.
DEAD FRONT DISCONNECT SWITCH	Standard	Supply terminal block in the control compartment.
	Optional	A three pole non-fused disconnect switch disconnects power to the heater. Design prevents entry into the control compartment until disconnect switch is turned to the OFF position.
DEAD FRONT FUSED DISCONNECT SWITCH †	Standard	Supply terminal block in the control compartment.
	Optional	A three pole non-fused disconnect switch and circuit breaker(s) sized to the heater load protects heater and disconnects power to the heater. Design prevents entry into the control compartment until disconnect switch is turned to the OFF position.
SUMMER FAN SWITCH	Standard	Fan cycles as the heat cycles on and off.
	Optional	Built-in switch provides continuous fan operation with or without heat, or automatic fan cycling as the heat cycles on and off.
ON/OFF SWITCH	Standard	No switch supplied.
	Optional	Built-in switch provides continuous fan operation with or without heat, or automatic fan cycling as the heat cycles on and off.
KEY LOCK FOR FRONT COVER	Standard	Two (2) slotted head spring latches.
	Optional	Two (2) toolhead key lock style spring latches prevent unauthorized adjustment of controls and provides additional safety from injury due to contact with internal components.
NIGHT SET-BACK RELAY 24V or 120V	Standard	Heater will not set back at night.
	Optional	Ability to set-back heater from energy management system that supplies (Specify - 24V or 120V) to relay holding coil for day operation.
MOTORIZED 100% OUTSIDE AIR DAMPER*	Standard	Return air only.
	Optional	24V electronically controlled damper with rear mounted duct collar permits outside air to enter the chamber at 100%. If power is interrupted at the heater, outside damper remains in the open/closed position from the last switch setting. Damper fully opens in less than 2 minutes when selector switch is in the open damper* position. (Available only with heaters having 24V control supply. Cannot be used with 120V control supply or with bottom inlet configuration)
INLET OR DISCHARGE DUCT COLLAR(S)	Standard	Slotted louver grilles.
	Optional	Collars provide easy connection of field supplied duct work. We do not recommend exceeding 0.2 in. wg external static pressure. Heater with duct collars are supplied with a single speed high static motor.
ARCHITECTURAL EXTRUDED ALUMINUM GRILLES	Standard	Slotted louver grilles.
	Optional	Architectural styled extruded aluminum grille to enhance the appearance of the cabinet unit heater. This option is only available for both inlet and discharge openings ordered at the same time. Can not be ordered separately.

NOTE: † Plus price of circuit breaker *Need to add summer fan switch and heat on/off switch. Allow 4 to 6 weeks for shipment with these options.

CUH900 SERIES CUSTOM CABINET UNIT HEATER

HOW TO ORDER CABINET HEATERS – CUH900

PRODUCT	SERIES	LENGTH	KW	VOLTS	PHASE	INLET AIR	DISHCHARGE AIR	MODEL	THERMOSTAT	CONTROL SUPPLY	CIRCUIT BREAKER	MANUAL RESET	SUMMER FAN SWITCH	DISCONNECT SWITCH	HEAT ON-OFF SWITCH	NIGHT SETBACK RELAY	FILTER	OUTSIDE AIR DAMPER	FRONT COVER KEY LOCK	DUCT COLLARS/GRILLES
CUH	9							B												

Cabinet Unit Heater

900 Series

35 = 35" Cabinet Length
 45 = 45" Cabinet Length
 58 = 58" Cabinet Length
 68 = 58" Cabinet Length
 78 = 78" Cabinet Length

See Chart (2 kW = 02, 32 kW = 32)

20 = 208 Volt Supply Power
 24 = 240 Volt Supply Power
 27 = 277 Volt Supply Power
 34 = 347 Volt Supply Power
 38 = 380 Volt Supply Power (3-Phase Only)
 48 = 480 Volt Supply Power (3-Phase Only)
 60 = 600 Volt Supply Power (3-Phase Only)

1 = Single Phase Supply Power
 3 = Three Phase Supply Power

F = Front Inlet Air Configuration
 B = Bottom Inlet Air Configuration

F = Front Discharge Air Configuration
 B = Bottom Discharge Air Configuration

Series Model Number

A = Architectural Extruded Aluminum Grille
 0 = Standard Louver Grilles
 I = Inlet Duct Collars/Discharge Louver Grille
 D = Inlet Louver Grille/Discharge Duct Collar
 B = Inlet Duct Collar/Discharge Duct Collar

0 = Standard Lock
 K = Key Lock

0 = Standardized, No Outside Air Damper (must be Ø for bottom inlet)
 A = Motorized 100% Outside Air Damper

0 = Standard Throw-Away Filter
 P = Permanent "Washable" Filter

0 = Standard, No Night Setback Relay
 1 = Night Setback Relay (120 Volt Holding Coil)
 2 = Night Setback Relay (24 Volt Holding Coil)

0 = Standard, No ON - OFF Switch
 S = ON - OFF Switch

0 = Standard, No Disconnect Switch
 S = Disconnect Switch
 F = Fused (Circuit Breaker) Disconnect Switch

0 = Standard, No Summer Fan Switch
 S = Summer Fan Switch

0 = Standard, No Manual Reset
 M = Manual Reset

0 = No Circuit Breaker(s)
 C = Circuit Breaker(s), Required or Optional

2 = Standard Internal Generated 24 Volt Control
 1 = Internal Generated 120 Volt Control

1B = Standard Single Pole, Single Stage Built-In Thermostat
 1R = Single Pole, Single Stage Remote (Wall Thermostat)
 2B = Two Stage Built-In Thermostat
 2R = Two Stage Remote (Wall Thermostat)