

CSL SERIES

DECORATIVE SILL HEIGHT CONVECTOR

MADE TO ORDER



IDEAL SPACES

- Offices
- Hallways
- Lobbies
- Conference Rooms
- Retail
- Other Similar Areas with Floor-to-Ceiling Windows

COLORS

- Neutral Gray
- Charcoal Gray
- Stainless Steel
- Navajo White
- Northern White
- Statuary Bronze
- Desert Tan
- Black
- Custom Colors
- Baked Enamel Finishes Available

DIMENSIONS

- See Specifications



- Perfect for under-the-window heat loss and condensation prevention
- Durable front cover constructed of 16-gauge steel (optional 14-gauge available)
- Wall-mounted design with extruded aluminum; bottom or front inlet - top outlet discharge grille
- Units may contain 1-3 heating elements that yield a broad range of heating capacity (see specifications)
- Optional 1/4 in. mesh located under the discharge grille to deter insertion of objects and restriction of airflow
- Blend into any décor with 8 standard color options or custom finishes available upon request
- Units can be mounted from wall-to-wall or as discrete units in standard lengths of 28 in. to 10 ft.
- Locate at sill height (or lower) or run from mullion-to-mullion
- Optional built-in controls include: line voltage thermostat (SPST or DPST); two-stage thermostat; power on/off switch; transformer relay; and power relay (see specifications)
- Right- or left-hand entry/wiring flexibility with identical pre-wired junction boxes at either end
- Built-in wire way with factory-installed wiring rated 35 amps for CSLAS and 45 amps for CSLAM
- Easy connection of supply wiring from bottom, rear or end, as well as multiple wiring of adjacent heaters from one entry point
- For service, all internal parts are accessible by removing cover

Front inlet models mount flush with floor; 125 to 250 watts per foot units can be positioned within 1-3/4 in. of floor; 375 to 750 watts per foot units can be positioned to within 3 in. of floor; 5-1/2 in. and 7 in. high models are available with top outlet only; 14 in. models are available with top or front outlet.

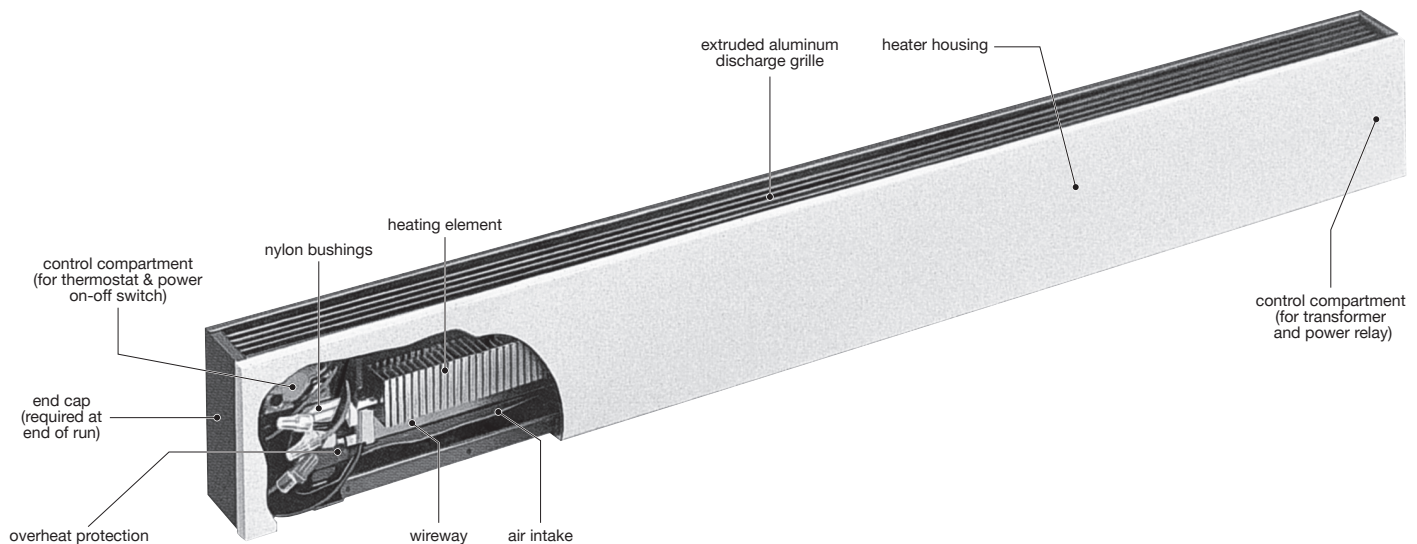


CSL SERIES

DECORATIVE SILL HEIGHT CONVECTOR

MODELS & SPECIFICATIONS / CSLAS SERIES (5-1/2" x 3" w/SINGLE ELEMENT)

CATALOG NO	LENGTH (FT)	WATTS PER FT.	TOTAL HEATING CAPACITY		AMPS						NO. OF ELEMENTS	SHIP WT. (LBS)
			TOTAL WATTS	BTU/HR	120V	208V	240V	277V	347V	600V		
CSLAS2125	2.3	125	250	853	2.1	1.2	1.0	0.9	0.7	0.4	1	12
CSLAS2188		188	375	1280	3.1	1.8	1.6	1.4	1.1	0.6		
CSLAS2250		250	500	1706	4.2	2.4	2.1	1.8	1.4	0.8		
CSLAS3125	3	125	375	1280	3.1	1.8	1.6	1.4	1.1	0.6	1	13
CSLAS3188		188	546	1925	4.7	2.7	2.4	2.0	1.6	0.9		
CSLAS3250		250	750	2560	6.2	3.6	3.1	2.7	2.2	1.2		
CSLAS4125	4	125	500	1706	4.2	2.4	2.1	1.8	1.4	0.8	1	17
CSLAS4188		188	750	2560	6.2	3.6	3.1	2.7	2.2	1.2		
CSLAS4250		250	1000	3412	8.3	4.8	4.2	3.6	2.9	1.7		
CSLAS5125	5	125	625	2133	5.2	3.0	2.6	2.3	1.8	1.0	1	22
CSLAS5188		188	940	3208	7.8	4.5	3.9	3.4	2.7	1.6		
CSLAS5250		250	1250	4266	10.4	6.0	5.2	4.5	3.6	2.1		
CSLAS6125	6	125	750	2560	6.2	3.6	3.1	2.7	2.2	1.2	1	26
CSLAS6188		188	1125	3840	9.4	5.4	4.7	4.1	3.2	1.9		
CSLAS6250		250	1500	5120	12.5	7.2	6.3	5.4	4.3	2.5		
CSLAS8125	8	125	1000	3412	-	4.8	4.2	3.6	2.8	1.7	1	35
CSLAS8188		188	1500	5120	-	7.2	6.3	5.4	4.3	2.5		
CSLAS8250		250	2000	6824	-	9.6	8.3	7.2	5.8	3.3		
CSLAS10125	10	125	1250	4266	-	6.0	5.2	4.5	3.6	2.1	1	43
CSLAS10188		188	1875	6400	-	9.0	7.8	6.8	5.4	3.1		
CSLAS10250		250	2500	8532	-	12.0	10.4	9.0	7.2	4.2		



www.berkomep.com

For Technical Services, Call 800-642-4328

ITEM# BFLY_CSL_1217-1

CONVECTION HEATERS

MODELS & SPECIFICATIONS / CSLAM SERIES (7" x 5" w/MULTIPLE ELEMENTS)

CONTINUED ON NEXT PAGE

CATALOG NO	LENGTH (FT)	WATTS PER FT.	TOTAL HEATING CAPACITY		AMPS					NO. OF ELEMENTS	SHIP WT. (LBS)
			TOTAL WATTS	BTU/HR	208V (1 PH / 3 PH)	240V (1 PH / 3 PH)	277V (1 PH)	347V (1 PH)	600V (1 PH / 3 PH)		
CSLAM2125	2.3	125	250	853	1.2 / -	1.0 / -	0.9	0.7	0.4 / -	1	15
CSLAM2188		188	375	1280	1.8 / -	1.6 / -	1.4	1.1	0.6 / -		
CSLAM2250		250	500	1706	2.4 / -	2.1 / -	1.8	1.4	0.8 / -		
CSLAM2375		375	750	2560	3.6 / -	3.1 / -	2.7	2.2	1.2 / -	2	
CSLAM2500		500	1000	3412	4.8 / -	4.2 / -	3.6	2.9	1.7 / -		
CSLAM2564		564	1125	3840	5.4 / 3.1	4.7 / 2.7	4.1	3.2	1.9 / 1.1	3	
CSLAM2625		625	1250	4266	6.0 / 3.5	5.2 / 3.0	4.5	3.6	2.1 / 1.2		
CSLAM2750		750	1500	5120	7.2 / 4.2	6.3 / 3.6	5.4	4.3	2.5 / 1.4		
CSLAM3125	3	125	375	1280	1.8 / -	1.6 / -	1.4	1.1	0.6 / -	1	20
CSLAM3188		188	564	1925	2.7 / -	2.4 / -	2.0	1.6	0.9 / -		
CSLAM3250		250	750	2560	3.6 / -	3.1 / -	2.7	2.2	1.2 / -		
CSLAM3375		375	1125	3840	5.4 / -	4.7 / -	4.1	3.2	1.9 / -	2	
CSLAM3500		500	1500	5120	7.2 / -	6.3 / -	5.4	4.3	2.5 / -		
CSLAM3564		564	1690	5768	8.1 / 4.7	7.0 / 4.1	6.1	4.8	2.8 / 1.6	3	
CSLAM3625		625	1875	6400	9.0 / 5.2	7.8 / 4.5	6.8	5.4	3.1 / 1.8		
CSLAM3750		750	2250	7680	10.8 / 6.3	9.4 / 5.4	8.1	6.5	3.7 / 2.1		
CSLAM4125	4	125	500	1706	2.4 / -	2.1 / -	1.8	1.4	0.8 / -	1	26
CSLAM4188		188	750	2560	3.6 / -	3.1 / -	2.7	2.2	1.2 / -		
CSLAM4250		250	1000	3412	4.8 / -	4.2 / -	3.6	2.9	1.7 / -		
CSLAM4375		375	1500	5120	7.2 / -	6.3 / -	5.4	4.3	2.5 / -	2	
CSLAM4500		500	2000	6824	9.6 / -	8.3 / -	7.2	5.8	3.3 / -		
CSLAM4564		564	2250	7680	10.8 / 6.3	9.4 / 5.4	8.1	6.5	3.7 / 2.1	3	
CSLAM4625		625	2500	8532	12.0 / 7.0	10.4 / 6.0	9.0	7.2	4.2 / 2.4		
CSLAM4750		750	3000	10239	14.4 / 8.3	12.5 / 7.2	10.8	8.6	5.0 / 2.9		
CSLAM5125	5	125	624	2133	3.0 / -	2.6 / -	2.3	1.8	1.0 / -	1	33
CSLAM5188		188	940	3208	4.5 / -	3.9 / -	3.4	2.7	1.6 / -		
CSLAM5250		250	1250	4266	6.0 / -	5.2 / -	4.5	3.6	2.1 / -		
CSLAM5375		375	1875	6400	9.0 / -	7.8 / -	6.8	5.4	3.1 / -	2	
CSLAM5500		500	2500	8532	12.0 / -	10.4 / -	9.0	7.2	4.2 / -		
CSLAM5564		564	2820	9625	13.6 / 7.8	11.8 / 6.8	10.2	8.1	4.7 / 2.7	3	
CSLAM5625		625	3125	10665	15.0 / 8.7	13.0 / 7.5	11.3	9.0	5.2 / 3.0		
CSLAM5750		750	3750	12800	18.0 / 10.4	15.6 / 9.0	13.5	10.8	6.2 / 3.6		

NOTE: All models are NON-STOCK, MADE-TO-ORDER. When ordering, specify quantity, catalog number, voltage, wattage, optional controls, and color. Consult sales representative for lead times.

CSL SERIES

DECORATIVE SILL HEIGHT CONVECTOR

MODELS & SPECIFICATIONS / CSLAM SERIES (7" x 5" w/MULTIPLE ELEMENTS) CONTINUED FROM PREVIOUS PAGE

CATALOG NO	LENGTH (FT)	WATTS PER FT.	TOTAL HEATING CAPACITY		AMPS					NO. OF ELEMENTS	SHIP WT. (LBS)
			TOTAL WATTS	BTU/HR	208V (1 PH / 3 PH)	240V (1 PH / 3 PH)	277V (1 PH)	347V (1 PH)	600V (1 PH / 3 PH)		
CSLAM6125	6	125	750	2560	3.6 / -	3.1 / -	2.7	2.2	1.2 / -	1	39
CSLAM6188		188	1125	3840	5.4 / -	4.7 / -	4.1	3.2	1.9 / -		
CSLAM6250		250	1500	5120	7.2 / -	6.3 / -	5.4	4.3	2.5 / -		
CSLAM6375		375	2250	7680	10.8 / -	9.4 / -	8.1	6.5	3.7 / -	2	
CSLAM6500		500	3000	10,239	14.4 / -	12.5 / -	10.8	8.6	5.0 / -		
CSLAM6564		564	3380	11,535	16.3 / 9.4	14.1 / 8.1	12.2	9.7	5.6 / 3.2	3	
CSLAM6625		625	3750	12,800	18.0 / 10.4	15.6 / 9.0	13.5	10.8	6.2 / 3.6		
CSLAM6750		750	4500	15,358	21.6 / 12.5	18.8 / 10.8	16.2	12.9	7.5 / 4.3		
CSLAM8125	8	125	1000	3412	4.8 / -	4.2 / -	3.6	2.9	1.7 / -	1	52
CSLAM8188		188	1500	5120	7.2 / -	6.3 / -	5.4	4.3	2.5 / -		
CSLAM8250		250	2000	6824	9.6 / -	8.3 / -	7.2	5.8	3.3 / -		
CSLAM8375		375	3000	10,239	14.4 / -	12.5 / -	10.8	8.6	5.0 / -	2	
CSLAM8500		500	4000	13,652	19.2 / -	16.7 / -	14.4	11.5	6.7 / -		
CSLAM8564		564	4500	15,358	21.6 / 12.5	18.8 / 10.8	16.2	13.0	7.5 / 4.3	3	
CSLAM8625		625	5000	17,065	24.0 / 13.9	20.8 / 12.0	18.1	14.4	8.3 / 4.8		
CSLAM8750		750	6000	20,478	28.8 / 16.7	25.0 / 14.5	21.7	17.3	10.0 / 5.8		
CSLAM10125	10	125	1250	4266	6.0 / -	5.2 / -	4.5	3.6	2.1 / -	1	65
CSLAM10188		188	1875	6400	9.0 / -	7.8 / -	6.8	5.4	3.1 / -		
CSLAM10250		250	2500	8532	12.0 / -	10.4 / -	9.0	7.2	4.2 / -		
CSLAM10375		375	3750	12,800	18.0 / -	15.6 / -	13.5	10.8	6.2 / -	2	
CSLAM10500		500	5000	17,065	24.0 / -	20.8 / -	18.1	14.4	8.3 / -		
CSLAM10564		564	5640	19,250	27.1 / 15.7	23.5 / 13.6	20.4	16.2	9.4 / 5.4	3	
CSLAM10625		625	6250	21,330	30.0 / 17.4	26.0 / 15.0	22.6	18.0	10.4 / 6.0		
CSLAM10750		750	7500	25,600	36.1 / 20.8	31.3 / 18.1	27.1	21.6	12.5 / 7.2		

NOTE: All models are NON-STOCK, MADE-TO-ORDER. When ordering, specify quantity, catalog number, voltage, wattage, optional controls, and color. Consult sales representative for lead times.

CONVECTION HEATERS

MODELS & SPECIFICATIONS / CSLAL (14" X 5" WITH MULTIPLE ELEMENTS)

CONTINUED ON NEXT PAGE

CATALOG NO.	LENGTH (FT)	WATTS PER FT.	TOTAL HEATING CAPACITY		AMPS					NO. OF ELEMENTS	SHIP WT. (LBS)
			TOTAL WATTS	BTU/HR	208V (1 PH / 3 PH)	240V (1 PH / 3 PH)	277V (1 PH)	347V (1 PH)	600V (1 PH / 3 PH)		
CSLAL2125	2.3	125	250	853	1.2 / -	1.0 / -	0.9	0.7	0.4 / -	1	23
CSLAL2188		188	375	1280	1.8 / -	1.6 / -	1.4	1.1	0.6 / -		
CSLAL2250		250	500	1706	2.4 / -	2.1 / -	1.8	1.4	0.8 / -		
CSLAL2375		375	750	2560	3.6 / -	3.1 / -	2.7	2.2	1.2 / -	2	
CSLAL2500		500	1000	3412	4.8 / -	4.2 / -	3.6	2.9	1.7 / -		
CSLAL2564		564	1125	3840	5.4 / 3.1	4.7 / 2.7	4.1	3.2	1.9 / 1.1	3	
CSLAL2625		625	1250	4266	6.0 / 3.5	5.2 / 3.0	4.5	3.6	2.1 / 1.2		
CSLAL2750		750	1500	5120	7.2 / 4.2	6.3 / 3.6	5.4	4.3	2.5 / 1.4		
CSLAL3125	3	125	375	1280	1.8 / -	1.6 / -	1.4	1.1	0.6 / -	1	30
CSLAL3188		188	564	1925	2.7 / -	2.4 / -	2.0	1.6	0.9 / -		
CSLAL3250		250	750	2560	3.6 / -	3.1 / -	2.7	2.2	1.2 / -		
CSLAL3375		375	1125	3840	5.4 / -	4.7 / -	4.1	3.2	1.9 / -	2	
CSLAL3500		500	1500	5120	7.2 / -	6.3 / -	5.4	4.3	2.5 / -		
CSLAL3564		564	1690	5768	8.1 / 4.7	7.0 / 4.1	6.1	4.8	2.8 / 1.6	3	
CSLAL3625		625	1875	6400	9.0 / 5.2	7.8 / 4.5	6.8	5.4	3.1 / 1.8		
CSLAL3750		750	2250	7680	10.8 / 6.3	9.4 / 5.4	8.1	6.5	3.7 / 2.1		
CSLAL4125	4	125	500	1706	2.4 / -	2.1 / -	1.8	1.4	0.8 / -	1	40
CSLAL4188		188	750	2560	3.6 / -	3.1 / -	2.7	2.2	1.2 / -		
CSLAL4250		250	1000	3412	4.8 / -	4.2 / -	3.6	2.9	1.7 / -		
CSLAL4375		375	1500	5120	7.2 / -	6.3 / -	5.4	4.3	2.5 / -	2	
CSLAL4500		500	2000	6824	9.6 / -	8.3 / -	7.2	5.8	3.3 / -		
CSLAL4564		564	2250	7680	10.8 / 6.3	9.4 / 5.4	8.1	6.5	3.7 / 2.1	3	
CSLAL4625		625	2500	8532	12.0 / 7.0	10.4 / 6.0	9.0	7.2	4.2 / 2.4		
CSLAL4750		750	3000	10239	14.4 / 8.3	12.5 / 7.2	10.8	8.6	5.0 / 2.9		
CSLAL5125	5	125	624	2133	3.0 / -	2.6 / -	2.3	1.8	1.0 / -	1	50
CSLAL5188		188	940	3208	4.5 / -	3.9 / -	3.4	2.7	1.6 / -		
CSLAL5250		250	1250	4266	6.0 / -	5.2 / -	4.5	3.6	2.1 / -		
CSLAL5375		375	1875	6400	9.0 / -	7.8 / -	6.8	5.4	3.1 / -	2	
CSLAL5500		500	2500	8532	12.0 / -	10.4 / -	9.0	7.2	4.2 / -		
CSLAL5564		564	2820	9625	13.6 / 7.8	11.8 / 6.8	10.2	8.1	4.7 / 2.7	3	
CSLAL5625		625	3125	10665	15.0 / 8.7	13.0 / 7.5	11.3	9.0	5.2 / 3.0		
CSLAL5750		750	3750	12800	18.0 / 10.4	15.6 / 9.0	13.5	10.8	6.2 / 3.6		

CSL SERIES

DECORATIVE SILL HEIGHT CONVECTOR

MODELS & SPECIFICATIONS / CSLAL (14" X 5" WITH MULTIPLE ELEMENTS)										CONTINUED FROM PREVIOUS PAGE	
CATALOG NO.	LENGTH (FT)	WATTS PER FT.	TOTAL HEATING CAPACITY		AMPS					NO. OF ELEMENTS	SHIP WT. (LBS)
			TOTAL WATTS	BTU/HR	208V (1 PH / 3 PH)	240V (1 PH / 3 PH)	277V (1 PH)	347V (1 PH)	600V (1 PH / 3 PH)		
CSLAL6125	6	125	750	2560	3.6 / -	3.1 / -	2.7	2.2	1.2 / -	1	60
CSLAL6188		188	1125	3840	5.4 / -	4.7 / -	4.1	3.2	1.9 / -		
CSLAL6250		250	1500	5120	7.2 / -	6.3 / -	5.4	4.3	2.5 / -		
CSLAL6375		375	2250	7680	10.8 / -	9.4 / -	8.1	6.5	3.7 / -	2	
CSLAL6500		500	3000	10,239	14.4 / -	12.5 / -	10.8	8.6	5.0 / -		
CSLAL6564		564	3380	11,535	16.3 / 9.4	14.1 / 8.1	12.2	9.7	5.6 / 3.2	3	
CSLAL6625		625	3750	12,800	18.0 / 10.4	15.6 / 9.0	13.5	10.8	6.2 / 3.6		
CSLAL6750		750	4500	15,358	21.6 / 12.5	18.8 / 10.8	16.2	12.9	7.5 / 4.3		
CSLAL8125	8	125	1000	3412	4.8 / -	4.2 / -	3.6	2.9	1.7 / -	1	80
CSLAL8188		188	1500	5120	7.2 / -	6.3 / -	5.4	4.3	2.5 / -		
CSLAL8250		250	2000	6824	9.6 / -	8.3 / -	7.2	5.8	3.3 / -		
CSLAL8375		375	3000	10,239	14.4 / -	12.5 / -	10.8	8.6	5.0 / -	2	
CSLAL8500		500	4000	13,652	19.2 / -	16.7 / -	14.4	11.5	6.7 / -		
CSLAL8564		564	4500	15,358	21.6 / 12.5	18.8 / 10.8	16.2	13.0	7.5 / 4.3	3	
CSLAL8625		625	5000	17,065	24.0 / 13.9	20.8 / 12.0	18.1	14.4	8.3 / 4.8		
CSLAL8750		750	6000	20,478	28.8 / 16.7	25.0 / 14.5	21.7	17.3	10.0 / 5.8		
CSLAL10125	10	125	1250	4266	6.0 / -	5.2 / -	4.5	3.6	2.1 / -	1	100
CSLAL10188		188	1875	6400	9.0 / -	7.8 / -	6.8	5.4	3.1 / -		
CSLAL10250		250	2500	8532	12.0 / -	10.4 / -	9.0	7.2	4.2 / -		
CSLAL10375		375	3750	12,800	18.0 / -	15.6 / -	13.5	10.8	6.2 / -	2	
CSLAL10500		500	5000	17,065	24.0 / -	20.8 / -	18.1	14.4	8.3 / -		
CSLAL10564		564	5640	19,250	27.1 / 15.7	23.5 / 13.6	20.4	16.2	9.4 / 5.4	3	
CSLAL10625		625	6250	21,330	30.0 / 17.4	26.0 / 15.0	22.6	18.0	10.4 / 6.0		
CSLAL10750		750	7500	25,600	36.1 / 20.8	31.3 / 18.1	27.1	21.6	12.5 / 7.2		

NOTE: All models are NON-STOCK, MADE-TO-ORDER. When ordering, specify quantity, catalog number, voltage, wattage, optional controls, and color. Consult sales representative for lead times.

www.berkomep.com.com

For Technical Services, Call 800-642-4328

ITEM# BFLY_CSL_1217-1

CONVECTION HEATERS

ACCESSORIES			
CATALOG NO.	DESCRIPTION	COMPATIBLE WITH	SHIP WT. (LBS)
CSLASBL2*	28 in. Blank Section	CSLAS Heaters	10
CSLASBL3*	3 ft. Blank Section		13
CSLASBL4*	4 ft. Blank Section		17
CSLASBL5*	5 ft. Blank Section		21
CSLASBL6*	6 ft. Blank Section		25
CSLASBL8*	8 ft. Blank Section		32
CSLASBL10*	10 ft. Blank Section		42
CSLAMBL2*	28 in. Blank Section	CSLAM Heaters	14
CSLAMBL3*	3 ft. Blank Section		18
CSLAMBL4*	4 ft. Blank Section		24
CSLAMBL5*	5 ft. Blank Section		30
CSLAMBL6*	6 ft. Blank Section		36
CSLAMBL8*	8 ft. Blank Section		48
CSLAMBL10*	10 ft. Blank Section		60
CSLALBL2*	28 in. Blank Section	CSLAL Heaters	22
CSLALBL3*	3 ft. Blank Section		29
CSLALBL4*	4 ft. Blank Section		38
CSLALBL5*	5 ft. Blank Section		48
CSLALBL6*	6 ft. Blank Section		57
CSLALBL8*	8 ft. Blank Section		76
CSLALBL10*	10 ft. Blank Section		95
Stand-Off	SO1	CSLAS Heaters	1
Bracket	SO2	CSLAM Heaters	1

Outlet Mesh: Price per foot. 14-Gauge Front Cover: add 10% to heater price. Standard color included in base price. Other colors available. View paint policy on page 153. Maximum of 250 watts per ft. on front outlet models. When ordering, specify heater catalog number, voltage, phase, suffix catalog number for built-in controls, color, and options. 2. If color is not specified, front covers will be neutral grey. Front outlet models available only in 14 in. height and 125, 188 and 250 Wt./Ft. configuration. Outlet mesh is not available on front outlet models.

ACCESSORIES			
CATALOG NO.	DESCRIPTION	COMPATIBLE WITH	SHIP WT. (LBS)
CSLASECL	Left End Caps	CSLAS Heaters	1
CSLAMECL		CSLAM Heaters	1
CSLAECL		CSLAL Heaters	1
CSLASECR	Right End Caps	CSLAS Heaters	1
CSLAMECR		CSLAM Heaters	1
CSLAECR		CSLAL Heaters	1
CSLASFL3	3 in. Filler Section	CSLAS Heaters	1
CSLAMFL3		CSLAM Heaters	2
CSLALFL3		CSLAL Heaters	3
CSLASFL6	6 in. Filler Section	CSLAS Heaters	2
CSLAMFL6		CSLAM Heaters	3
CSLALFL6		CSLAL Heaters	5
CSLASFL9	9 in. Filler Section	CSLAS Heaters	3
CSLAMFL9		CSLAM Heaters	4
CSLALFL9		CSLAL Heaters	6
CSLASFL12	12 in. Filler Section	CSLAS Heaters	4
CSLAMFL12		CSLAM Heaters	5
CSLALFL12		CSLAL Heaters	8
CSLASFL18	18 in. Filler Section	CSLAS Heaters	5
CSLAMFL18		CSLAM Heaters	6
CSLALFL18		CSLAL Heaters	9
CSLASIC*	Inside Corners	CSLAS Heaters	2
CSLAMIC*		CSLAM Heaters	4
CSLALIC		CSLAL Heaters	6
CSLASOC*	Outside Corners	CSLAS Heaters	1
CSLAMOC*		CSLAM Heaters	2
CSLALOC*		CSLAL Heaters	4
CSLASCC	Conduit Corners	CSLAS Heaters	4
CSLAMCC		CSLAM Heaters	5

CSL SERIES

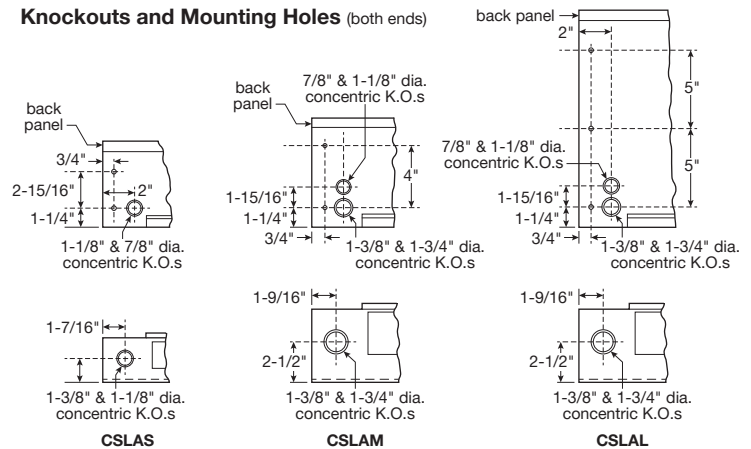
DECORATIVE SILL HEIGHT CONVECTOR

ACCESSORIES					
CATALOG NO	COMPATIBLE WITH	HEIGHT (IN)	DEPTH (IN)	LENGTH (IN)	ADDT'L LENGTH* (IN)
LEFT END CAPS					
CSLASECL**	CSLAS	5-1/2	2-1/2	-	1/8
CSLAMECL**	CSLAM	7	4-1/4		
CSLAECL**	CSLAL	14	4-1/4		
RIGHT END CAPS					
CSLASECR**	CSLAS	5-1/2	2-1/2	-	1/8
CSLAMECR**	CSLAM	7	4-1/4		
CSLAECR**	CSLAL	14	4-1/4		
FILLER SECTIONS					
CSLASFL3	CSLAS	5-1/2	5-1/8	4	0-3
CSLAMFL3	CSLAM	7	6-1/8		
CSLALFL3	CSLAL	14	13-1/8		
CSLASFL6**	CSLAS	5-1/8	2-1/2	7	3-6
CSLAMFL6**	CSLAM	6-1/8	4-1/2		
CSLALFL6**	CSLAL	13-1/8	4-1/2		
CSLASFL9**	CSLAS	5-1/8	2-1/2	10	6-9
CSLAMFL9**	CSLAM	6-1/8	4-1/2		
CSLALFL9**	CSLAL	13-1/8	4-1/2		
CSLASFL12**	CSLAS	5-1/8	2-1/2	13	9-12
CSLAMFL12**	CSLAM	6-1/8	4-1/2		
CSLALFL12**	CSLAL	13-1/8	4-1/2		
CSLASFL18**	CSLAS	5-1/8	2-1/2	19	15-18
CSLAMFL18**	CSLAM	6-1/8	4-1/2		
CSLALFL18**	CSLAL	13-1/8	4-1/2		
INSIDE CORNERS					
CSLASIC	CSLAS	5-1/8	2-1/2	4-1/2	3-3-1/2
CSLAMIC	CSLAM	6-1/8	4-1/2	6	5-5-1/2
CSLALIC	CSLAL	13-1/8	4-1/2	6	5-5-1/2
OUTSIDE CORNERS					
CSLASOC	CSLAS	5-1/8	2-1/2	1	0-1/2
CSLAMOC	CSLAM	6-1/8	4-1/2		
CSLALOC	CSLAL	13-1/8	4-1/2		
CONDUIT CORNERS					
CSLASCC	CSLAS	-	2-5/8	2-1/2	-
CSLAMCC	CSLAM	-	-	-	-
CSLALCC	CSLAL	-	3-5/8	3	-
STAND-OFF BRACKETS					
SO1	CSLAS	4-3/4	3/4	3	-
SO2	CSLAM	6-3/4	3/4	3	-

ACCESSORIES								
CATALOG NO	COMPATIBLE WITH	HEIGHT (IN)	DEPTH (IN)	LENGTH (IN)	ADDT'L LENGTH* (IN)			
BLANK SECTIONS (CSLAS)								
CSLASBL2	CSLAS	5-1/2	3	28	28			
CSLASBL3				36	36			
CSLASBL4				48	48			
CSLASBL5				60	60			
CSLASBL6				72	72			
CSLASBL8				96	96			
CSLASBL10				120	120			
BLANK SECTIONS (CSLAM)								
CSLAMBL2				CSLAM	7	5	28	28
CSLAMBL3							36	36
CSLAMBL4	48	48						
CSLAMBL5	60	60						
CSLAMBL6	72	72						
CSLAMBL8	96	96						
CSLAMBL10	120	120						
BLANK SECTIONS (CSLAL)								
CSLALBL2	CSLAL	14	5				28	28
CSLALBL3							36	36
CSLALBL4				48	48			
CSLALBL5				60	60			
CSLALBL6				72	72			
CSLALBL8				96	96			
CSLALBL10				120	120			

*Additional length the accessory adds to the total installation length. **Built-in duplex receptacle available. Add model numbers suffix "-1" for bottom inlet - top outlet; add suffix "-3" for bottom inlet - front outlet.

Knockouts and Mounting Holes (both ends)



Heating and Blank Sections

