

ASL3 & ASL5 SERIES

ARCHITECTURAL SILL-HEIGHT CONVECTOR

MADE TO ORDER



IDEAL SPACES

Residential (ASL3):

- Living Rooms
- Bedrooms
- Other similar areas with floor to ceiling windows

Institutional and Commercial (ASL5 or ASL3):

- Offices
- Hallways
- Lobbies
- Condos
- Conference Rooms
- Retail Spaces
- Other Similar Areas

COLORS

- Neutral Gray
- Charcoal Gray
- Navajo White
- Northern White
- Statuary Bronze
- Desert Tan
- Black
- Custom Colors
- Clear
- Bronze Anodized Finishes Available

DIMENSIONS

- ASL3: 6"H x 3-5/8"D (length varies)
- ASL5: 7"H x 5-5/8"D (length varies)

- ASL3 Series is approved for residential applications
- Patented "Stair-Step" ASL5 heating element design accommodates a multitude of applications and heating needs (see diagram on next page)
- Unique two-piece extruded aluminum "Snap-Lock" closure design secures the one-piece top and front grilles to the one-piece back and bottom providing a rapid, secure fit all along the length of the unit
- Front/bottom inlet air grille utilizes slots which create an attractive installation where inlet grille is visible
- Blend into any décor with custom paint and anodizing upon request
- Units can be mounted on floor, wall, or pedestals
- Customize space with wall-to-wall installation, or as discrete units in standard lengths of 28 in. to 10 ft.
- Units are available in a wide range of heating capacities per foot length (see specifications)
- Architectural-style end sections give a finished look when used as a stand-alone or where a wall-to-wall run is not desired
- Inside and outside corners can be ordered factory-cut and mitered to fit difficult or unusual spaces
- Right -or left-hand entry and built-in wire way (equivalent to 3/4 in. conduit) with factory-installed wiring
- Full line of trim accessories, including matching blank sections, end caps, filler sections, inside and outside corners, diagonal end sections, and splice plates
- Optional built-in controls include: line-voltage thermostat; two-stage thermostat; on/off switch; transformer relay; power relay and pneumatic/switch
- Easy connection of supply wiring from bottom, rear or end, as well as multiple wiring of adjacent heaters from one entry point
- Thermal limit switch with linear type (full length) sensing bulb provides constant protection against overheating from any cause
- Switch will automatically reset when normal operating temperatures are restored
- Discharge air openings in top grille are punched slots which are pencil-proof for safety



DBA & SHA SERIES

ARCHITECTURAL SILL-HEIGHT CONVECTOR

MODELS & SPECIFICATIONS / ASL3 SERIES										
CATALOG NO.	LENGTH (FT)	WATTS PER FT.	TOTAL WATTS	120V	208V	240V	277V	347V	600V	SHIP WT. (LBS)
ASL302	2.3	100	200	1.7	1.0	0.8	-	-	-	8
		125	250	2.1	1.2	1.0	0.9	-	-	
		150	300	2.5	1.4	1.3	1.1	-	-	
		188	376	3.1	1.8	1.6	1.4	-	-	
		250	500	4.2	2.4	2.1	1.8	1.4	-	
ASL303	3	100	300	2.5	1.4	1.3	1.1	-	-	10
		125	375	3.1	1.8	1.6	1.4	1.1	-	
		150	450	3.8	2.2	1.9	1.6	1.3	-	
		188	564	4.7	2.7	2.4	2.0	1.6	-	
		250	750	6.3	3.6	3.1	2.7	2.2	-	
ASL304	4	100	400	3.3	1.9	1.7	1.4	1.2	-	13
		125	500	4.2	2.4	2.1	1.8	1.4	-	
		150	600	5.0	2.9	2.5	2.2	1.7	-	
		188	752	6.3	3.6	3.1	2.7	2.2	1.3	
		250	1000	8.3	4.8	4.2	3.6	2.9	1.7	
ASL305	5	100	500	4.2	2.4	2.1	1.8	1.4	-	17
		125	625	5.2	3.0	2.6	2.3	1.8	1.0	
		150	750	6.3	3.6	3.1	2.7	2.2	1.3	
		188	940	7.8	4.5	3.9	3.4	2.7	1.6	
		250	1250	10.4	6.0	5.2	4.5	3.6	2.1	
ASL306	6	100	600	5.0	2.9	2.5	2.2	1.7	1.0	20
		125	750	6.3	3.6	3.1	2.7	2.2	1.3	
		150	900	7.5	4.3	3.8	3.2	2.6	1.5	
		188	1128	9.4	5.4	4.7	4.1	3.3	1.9	
		250	1500	12.5	7.2	6.3	5.4	4.3	2.5	
ASL307	7	100	700	-	3.4	2.9	2.5	2.0	-	24
		125	875	-	4.2	3.6	3.2	2.5	-	
		150	1050	-	5.0	4.4	3.8	3.0	-	
		188	1316	-	6.3	5.5	4.8	3.8	-	
		250	1750	-	8.4	7.3	6.3	5.0	2.9	
ASL308	8	100	800	-	3.8	3.3	2.9	2.3	1.3	27
		125	1000	-	4.8	4.2	3.6	2.9	1.7	
		150	1200	-	5.8	5.0	4.3	3.5	2.0	
		188	1504	-	7.2	6.3	5.4	4.3	2.5	
		250	2000	-	9.6	8.3	7.2	5.8	3.3	
ASL309	9	100	900	-	4.3	3.8	3.2	2.6	-	30
		125	1125	-	5.4	4.7	4.1	3.2	-	
		150	1350	-	6.5	5.6	4.9	3.9	-	
		188	1692	-	8.1	7.1	6.1	4.9	2.8	
		250	2250	-	10.8	9.4	8.1	6.5	3.8	
ASL310	10	100	1000	-	4.8	4.2	3.6	2.9	1.7	33
		125	1250	-	6.0	5.2	4.5	3.6	2.1	
		150	1500	-	7.2	6.3	5.4	4.3	2.5	
		188	1880	-	9.0	7.8	6.8	5.4	3.1	
		250	2500	-	12.0	10.4	9.0	7.2	4.2	

NOTE: Cabinet available up to 15 ft. length. Custom length cabinets are priced with heater and blank to the next larger size. Backs are provided standard with no finish. For finished backs, add 10% to list price. Knockouts on back omitted by request only. All models are NON-STOCK made-to-order. When ordering, specify quantity, catalog number, voltage, wattage, optional controls, and color. Consult sales representative for lead times.

www.berkomep.com

For Technical Services, Call 800-642-4328

ITEM# BFLY_AS3&5_1217-1

BLANK SECTIONS & ACCESSORIES / ASL3 SERIES

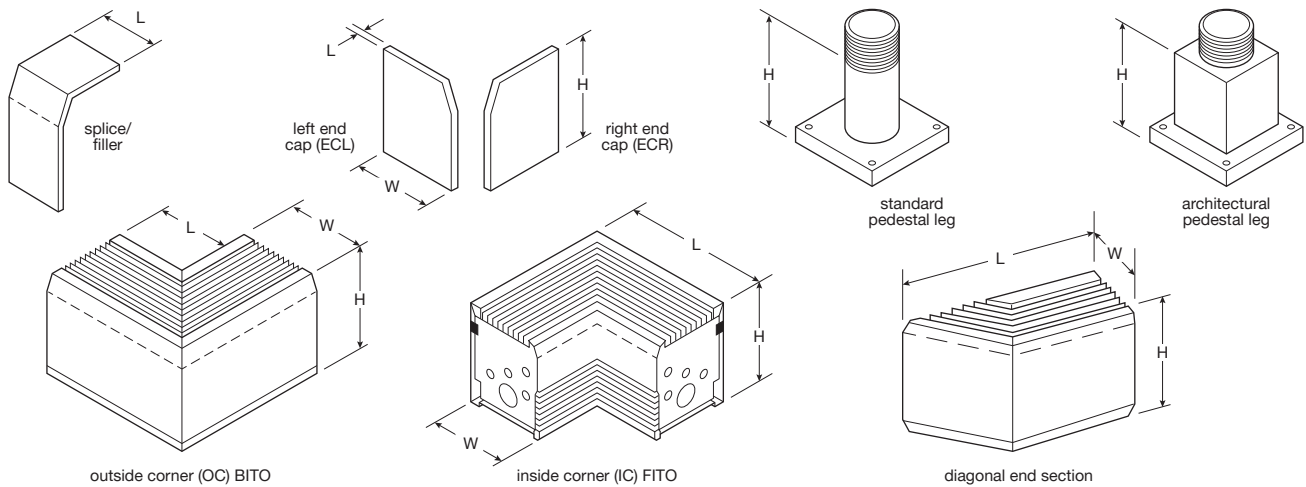
CATALOG NO.	DIMENSIONS W x H x L	INLET	SHIP WT. (LBS)
ASL3BS1F	3-5/8" x 6" x 1'	Front	4
ASL3BS1B		Bottom	
ASL3BS2F	3-5/8" x 6" x 28"	Front	7
ASL3BS2B		Bottom	
ASL3BS3F	3-5/8" x 6" x 3'	Front	9
ASL3BS3B		Bottom	
ASL3BS4F	3-5/8" x 6" x 4'	Front	12
ASL3BS4B		Bottom	
ASL3BS5F	3-5/8" x 6" x 5'	Front	16
ASL3BS5B		Bottom	
ASL3BS6F	3-5/8" x 6" x 6'	Front	19
ASL3BS6B		Bottom	
ASL3BS7F	3-5/8" x 6" x 7'	Front	22.5
ASL3BS7B		Bottom	
ASL3BS8F	3-5/8" x 6" x 8'	Front	24
ASL3BS8B		Bottom	
ASL3BS9F	3-5/8" x 6" x 9'	Front	27
ASL3BS9B		Bottom	
ASL3BS10F	3-5/8" x 6" x 10'	Front	30
ASL3BS10B		Bottom	

NOTE: Blank section grilles are not punched unless requested.

BLANK SECTIONS & ACCESSORIES / ASL3 SERIES

CATALOG NO.	DESCRIPTION	ADD'TL WALL SPACE REQUIRED (IN)	SHIP WT. (LBS)
ASL3ECL	End Cap - Left	1/8	1
ASL3ECR	End Cap - Right	1/8	1
ASL3ECLS	End Cap w/Screws - Left	1/8	1
ASL3ECRS	End Cap w/Screws - Right	1/8	1
ASL3ICF	Inside Corner-Front In	8-1/2	5
ASL3ICB	Inside Corner-Bottom In	8-1/2	5
ASL3OCF	Outside Corner-Front In	5	4
ASL3OCB	Outside Corner-Bottom In	5	4
ASL3135ICF	135° Inside Corner-Fnt. In	8-1/2	5
ASL3135ICB	135° Inside Corner-Bot. In	8-1/2	5
ASL3135OCF	135° Outside Corner-Fnt. In	5	4
ASL3135OCB	135° Outside Corner-Bot. In	5	4
ASL3DESBL	Dec. End Section-Bot. In, Left	9-9/64	5
ASL3DESBR	Dec. End Section-Bot. In, Right	9-9/64	5
ASL3DESFL	Dec. End Section-Fnt. In, Left	9-9/64	4
ASL3DESFR	Dec. End Section-Fnt. In, Right	9-9/64	4
ASL3SP	Splice Plate	0 - 1/4	1
ASL3FL3	Filler Section 3 in.	0 - 3	1
ASL3FL6	Filler Section 6 in.	3 - 6	1
ASL3FL9	Filler Section 9 in.	6 - 9	1
ASL3FL12	Filler Section 12 in.	9 - 12	1
ASL3-FL18	Filler Section 18 in.	15 - 18	1.5
ASL3DRF	Receptacle Section-Fnt. In	4-1/2	1.5
ASL3DRB	Receptacle Section-Bot. In	4-1/2	1.5
ASL3PEF	Pneu/Ele Sw-Fnt. In	4-1/2	2
ASL3PEB	Pneu/Ele Sw-Bot. In		2
PK3S*	Standard Pedestal 2-7/8 in. (H)	-	2
PK3A*	Architectural Pedestal 2-7/8 in. (H)	-	2
SO1A	Stand-Off Bracket	-	1

*One pedestal. Two required on units up to 10 ft., three required on units over 10ft. Add suffix -P for painted, -C for clear anodized, -B for bronze anodized (excludes PK3S - Black only).



ASL3 & ASL5 SERIES

ARCHITECTURAL SILL-HEIGHT CONVECTOR

MODELS & SPECIFICATIONS / ASL5 SERIES

CATALOG NO	LENGTH (FT)	WATTS PER FT.	TOTAL WATTS	120V	208V	240V	277V	347V	600V	SHIP WT. (LBS)
ASL502	2.3	100	200	1.7	1.0	0.8	-	-	-	8
		125	250	2.1	1.2	1.0	0.9	-	-	
		150	300	2.5	1.4	1.3	1.1	-	-	
		188	376	3.1	1.8	1.6	1.4	-	-	
		250	500	4.2	2.4	2.1	1.8	1.4	-	
ASL503	3	100	300	2.5	1.4	1.3	1.1	-	-	10
		125	375	3.1	1.8	1.6	1.4	1.1	-	
		150	450	3.8	2.2	1.9	1.6	1.3	-	
		188	564	4.7	2.7	2.4	2.0	1.6	-	
		250	750	6.3	3.6	3.1	2.7	2.2	-	
ASL504	4	100	400	3.3	1.9	1.7	1.4	1.2	-	13
		125	500	4.2	2.4	2.1	1.8	1.4	-	
		150	600	5.0	2.9	2.5	2.2	1.7	-	
		188	752	6.3	3.6	3.1	2.7	2.2	1.3	
		250	1000	8.3	4.8	4.2	3.6	2.9	1.7	
ASL505	5	100	500	4.2	2.4	2.1	1.8	1.4	-	17
		125	625	5.2	3.0	2.6	2.3	1.8	1.0	
		150	750	6.3	3.6	3.1	2.7	2.2	1.3	
		188	940	7.8	4.5	3.9	3.4	2.7	1.6	
		250	1250	10.4	6.0	5.2	4.5	3.6	2.1	
ASL506	6	100	600	5.0	2.9	2.5	2.2	1.7	1.0	20
		125	750	6.3	3.6	3.1	2.7	2.2	1.3	
		150	900	7.5	4.3	3.8	3.2	2.6	1.5	
		188	1128	9.4	5.4	4.7	4.1	3.3	1.9	
		250	1500	12.5	7.2	6.3	5.4	4.3	2.5	
ASL507	7	100	700	-	3.4	2.9	2.5	2.0	-	24
		125	875	-	4.2	3.6	3.2	2.5	-	
		150	1050	-	5.0	4.4	3.8	3.0	-	
		188	1316	-	6.3	5.5	4.8	3.8	-	
		250	1750	-	8.4	7.3	6.3	5.0	2.9	
ASL508	8	100	800	-	3.8	3.3	2.9	2.3	1.3	27
		125	1000	-	4.8	4.2	3.6	2.9	1.7	
		150	1200	-	5.8	5.0	4.3	3.5	2.0	
		188	1504	-	7.2	6.3	5.4	4.3	2.5	
		250	2000	-	9.6	8.3	7.2	5.8	3.3	
ASL509	9	100	900	-	4.3	3.8	3.2	2.6	-	30
		125	1125	-	5.4	4.7	4.1	3.2	-	
		150	1350	-	6.5	5.6	4.9	3.9	-	
		188	1692	-	8.1	7.1	6.1	4.9	2.8	
		250	2250	-	10.8	9.4	8.1	6.5	3.8	
ASL510	10	100	1000	-	4.8	4.2	3.6	2.9	1.7	33
		125	1250	-	6.0	5.2	4.5	3.6	2.1	
		150	1500	-	7.2	6.3	5.4	4.3	2.5	
		188	1880	-	9.0	7.8	6.8	5.4	3.1	
		250	2500	-	12.0	10.4	9.0	7.2	4.2	

NOTE: Cabinet available up to 12 ft. length. Custom length cabinets are priced with heater and blank to the next larger size. Backs are provided standard with no finish. For finished backs, add 10% to list price. Knockouts on back omitted by request only. All models are NON-STOCK made-to-order. When ordering, specify quantity, catalog number, voltage, wattage, optional controls, and color. Consult sales representative for lead times.

CONVECTION HEATERS

MODELS & SPECIFICATIONS / ASL5 SERIES MULTIPLE-ELEMENT UNITS

CATALOG NO	LENGTH (FT)	WATTS PER FT.	TOTAL WATTS	208V (1 PH / 3 PH)	240V (1 PH / 3 PH)	277V (1 PH)	347V (1 PH)	600V (1 PH / 3 PH)	NO. OF ELEMENTS	SHIP WT. (LBS)
ASL502	2.3	375	750	3.6 / -	3.1 / -	2.7	-	-	3	12
		500	1000	4.8 / -	4.2 / -	3.6	2.9	-		
		600	1200	5.8 / 3.3	5.0 / 2.9	4.3	-	-	3	
		750*	1500	7.2 / 4.2	6.3 / 3.6	5.4	4.3	-		
ASL503	3	375	1125	5.4 / -	4.7 / -	4.1	-	-	2	15.5
		500	1500	7.2 / -	6.3 / -	5.4	4.3	-		
		600	1800	8.7 / 5.0	7.5 / 4.3	6.5	-	-	3	
		750*	2250	10.8 / 6.3	9.4 / 5.4	8.1	6.5	-		
ASL504	4	375	1500	7.2 / -	6.3 / -	5.4	4.3	-	2	20
		500	2000	9.6 / -	8.3 / -	7.2	5.8	3.3 / -		
		600	2400	11.5 / 6.7	10.0 / 5.8	8.7	6.9	-	3	
		750*	3000	14.4 / 8.3	12.5 / 7.2	10.8	8.6	5.0 / 2.9		
ASL505	5	375	1875	9.0 / -	7.8 / -	6.8	5.4	3.1 / -	2	25.5
		500	2500	12.0 / -	10.4 / -	9.0	7.2	4.2 / -		
		600	3000	14.4 / 8.3	12.5 / 7.2	10.8	8.6	5.0 / 2.9	3	
		750*	3750	18.0 / 10.4	15.6 / 9.0	13.5	10.8	6.3 / 3.6		
ASL506	6	375	2250	10.8 / -	9.4 / -	8.1	6.5	3.8 / -	2	30
		500	3000	14.4 / -	12.5 / -	10.8	8.6	5.0 / -		
		600	3600	17.3 / 10.0	15.0 / 8.7	13.0	10.4	6.0 / 3.5	3	
		750*	4500	21.6 / 12.5	18.8 / 10.8	16.2	13.0	7.5 / 4.3		
ASL507	7	375	2625	12.6 / -	10.9 / -	9.5	7.6	-	2	35
		500	3500	16.8 / -	14.6 / -	12.6	10.1	5.8 / -		
		600	4200	20.2 / 11.7	17.5 / 10.1	15.2	12.1	-	3	
		750*	5250	25.2 / 14.6	21.9 / 12.6	19.0	15.1	8.8 / 5.1		
ASL508	8	375	3000	14.4 / -	12.5 / -	10.8	8.6	5.0 / -	2	40
		500	4000	19.2 / -	16.7 / -	14.4	11.5	6.7 / -		
		600	4800	23.1 / 13.3	20.0 / 11.6	17.3	13.8	8.0 / 4.6	3	
		750*	6000	28.8 / 16.7	25.0 / 14.5	21.7	17.3	10.0 / 5.8		
ASL509	9	375	3375	16.2 / -	14.1 / -	12.2	9.7	5.6 / -	2	45
		500	4500	21.6 / -	18.8 / -	16.2	13.0	7.5 / -		
		600	5400	26.0 / 15.0	22.5 / 13.0	19.5	15.6	9.0 / 5.2	3	
		750*	6750	32.5 / 18.8	28.1 / 16.3	24.4	19.5	11.3 / 6.5		
ASL510	10	375	3750	18.0 / -	15.6 / -	13.5	10.8	6.3 / -	2	50
		500	5000	24.0 / -	20.8 / -	18.1	14.4	8.3 / -		
		600	6000	28.8 / 16.7	25.0 / 14.5	21.7	17.3	10.0 / 5.8	3	
		750*	7500	36.1 / 20.8	31.3 / 18.1	27.1	21.6	12.5 / 7.2		

NOTE: *750W models have bottom inlet only

Cabinet available up to 12 ft. length. Custom length cabinets are priced with heater and blank to the next larger size. Backs are provided standard with no finish. For finished backs, add 10% to list price. Knockouts on back omitted by request only. All models are NON-STOCK made-to-order. When ordering, specify quantity, catalog number, voltage, wattage, optional controls, and color. Consult sales representative for lead times.

ASL3 & ASL5 SERIES

ARCHITECTURAL SILL-HEIGHT CONVECTOR

BLANK SECTIONS & ACCESSORIES / ASL5 SERIES

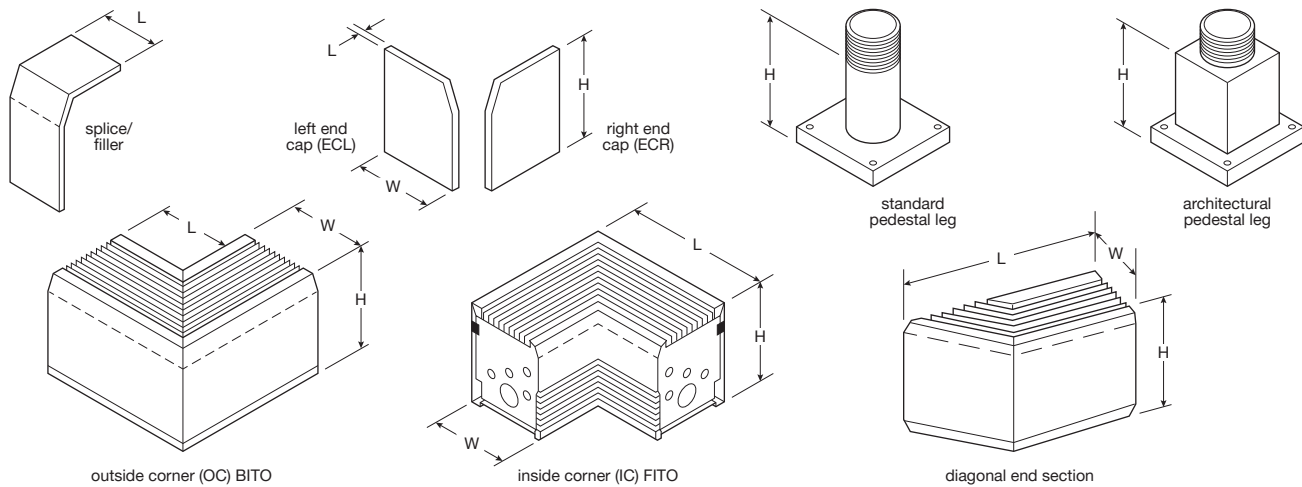
CATALOG NO.	DIMENSIONS W x H x L	INLET	SHIP WT. (LBS)
ASL5BS1F	5-3/8" x 7" x 1'	Front	7
ASL5BS1B		Bottom	
ASL5BS2F	5-3/8" x 7" x 28"	Front	11
ASL5BS2B		Bottom	
ASL5BS3F	5-3/8" x 7" x 3'	Front	14
ASL5BS3B		Bottom	
ASL5BS4F	5-3/8" x 7" x 4'	Front	18
ASL5BS4B		Bottom	
ASL5BS5F	5-3/8" x 7" x 5'	Front	22
ASL5BS5B		Bottom	
ASL5BS6F	5-3/8" x 7" x 6'	Front	27
ASL5BS6B		Bottom	
ASL5BS7F	5-3/8" x 7" x 7'	Front	32
ASL5BS7B		Bottom	
ASL5BS8F	5-3/8" x 7" x 8'	Front	37
ASL5BS8B		Bottom	
ASL5BS9F	5-3/8" x 7" x 9'	Front	40
ASL5BS9B		Bottom	
ASL5BS10F	5-3/8" x 7" x 10'	Front	44
ASL5BS10B		Bottom	

NOTE: Blank section grilles are not punched unless requested.

BLANK SECTIONS & ACCESSORIES / ASL5 SERIES

CATALOG NO.	DESCRIPTION	ADD'L WALL SPACE REQUIRED (IN)	SHIP WT. (LBS)
ASL5ECL	End Cap - Left	1/8	1
ASL5ECR	End Cap - Right		
ASL5ECLS	End Cap w/Screws - Left	10	11
ASL5ECRS	End Cap w/Screws - Right		
ASL5ICF	Inside Corner-Front In	10	11
ASL5ICB	Inside Corner-Bottom In	10	11
ASL5OCF	Outside Corner-Front In	5	7
ASL5OCB	Outside Corner-Bottom In	5	7
ASL5135ICF	135° Inside Corner-Fnt. In	10	11
ASL5135ICB	135° Inside Corner-Bot. In	10	11
ASL5135OCF	135° Outside Corner-Fnt. In	5	7
ASL5135OCB	135° Outside Corner-Bot. In	5	7
ASL5DESB	Dec. End Section-Bot. In, Left	12-1/2	11
ASL5DESBR	Dec. End Section-Bot. In, Right		11
ASL5DESFL	Dec. End Section-Fnt. In, Left		7
ASL5DESFR	Dec. End Section-Fnt. In, Right		7
ASL5SP	Splice Plate	0 - 1/4	1
ASL5FL3	Filler Section 3 in.	0 - 3	1
ASL5FL6	Filler Section 6 in.	3 - 6	1
ASL5FL9	Filler Section 9 in.	6 - 9	2
ASL5FL12	Filler Section 12 in.	9 - 12	3
ASL5-FL18	Filler Section 18 in.	15 - 18	5
ASL5DRF	Receptacle Section-Fnt. In	4-1/2	2
ASL5DRB	Receptacle Section-Bot. In		
PK5S*	Standard Pedestal 4-1/8 in. (H)	-	2
PK5A*	Architectural Pedestal 4-1/8 in. (H)	-	2
SO1A	Stand-Off Bracket	-	1

*One pedestal. Two required on units up to 10 ft., three required on units over 10ft. Add suffix -P for painted, -C for clear anodized, -B for bronze anodized (excludes PK3S - Black only).



OPTIONAL BUILT-IN CONTROLS / ASL3 & ASL5 SERIES

SUFFIX ADDITION TO BASIC CATALOG NO. (SEE NOTE D)	OPTIONAL BUILT-IN CONTROL	RATINGS & DESCRIPTIONS
T	Single-Pole Thermostat	Rated 24 amps @ 120-240 VAC and 22 amps @ 277 VAC. Pilot duty rating of 125 VA (all voltages). 60-120°F temperature range; adjustable through outlet grille-tamper-resistant. (See Note B) Not available on three-phase heaters.
2T	Double-Pole Thermostat	Rated 24 amps @ 120-240 VAC and 22 amps @ 277 VAC. Pilot duty rating of 125 VA (all voltages). 60-120°F temperature range; adjustable through outlet grille-tamper-resistant. (See Note B for amperage restrictions.)
DS	Power On/Off Switch	Double-pole, rated 20 amp @ 120-277 VAC. (See Note A) For three-phase heaters and single-phase heaters over 20 amps specify two.
TR	Transformer Relay	Single-pole, low voltage relay with built-in transformer (24 VAC control), rated 22 amps @ 120-240 VAC and 22 amps @ 277 VAC. (See note E) 17 amps @ 347V. Not available on three-phase heaters.
PR	Power Relay	Single-pole thermal time delay relay, rated 25 amps @ 120-600 VAC. (See Notes E & F). Specify control voltage.
2ST	2-Stage Thermostat	Rated 24 amps @ 120-240 VAC and 22 amps @ 277 VAC. Pilot duty rating of 125 VA (all voltages). 60-120°F temperature range, adjustable through outlet grille-tamper-resistant. Available on 2- or 3-element, single-phase heaters only.
PE	Pneumatic/Electric Switch	Pressure set-point @ 10 PSIG adjustable to 30 PSIG. Can be set to "make" or "break" on pressure drop. Rated 25 amps @ 120-277 VAC. (See Note G)
PDT	Single-Pole Thermostat	Same as -T except Pilot Duty. (See Note C)
2TPD	Double-Pole Thermostat	Same as -2T except Pilot Duty. (See Note C & D)
M	Outlet Mesh	Price per foot

NOTE:

- A. For single-phase loads over 20A and all three-phase loads, specify (2) power on/off switches.
- B. This control option is not available on single-phase heaters over 24 amps (22 amps on 277 VAC). In combination with the power on/off switch option use the 2ST thermostat option on heaters over 20 amps.
- C. A second transformer relay can be sequenced off the first transformer relay in the same heater. Up to 30 power relays in different heaters can be controlled by (1) single-stage pilot duty thermostat.
- D. Up to 30 power relays in different heater can be controlled by each stage of a two-stage pilot duty thermostat.
- E. Two relays are required on single-phase heaters over 20 amps with a power on/off switch, over 25 amps without a power on/off and on all three-phase heaters. Two relays are available for two-stage on two- or three-element heaters only.
- F. Three power relays are available for three-stage on three-element heaters only.
- G. Fits in SHA unit only. For DBA, PE will be installed in 4-1/2 in. section.

HOW TO ORDER CONVECTION HEATERS ASL3 & ASL5 SERIES

PRODUCT	CABINET LENGTH			WATT DENSITY			INLET AIR CONFIG.	VOLTS			NO. OF PHASES	UNIT DESIGNATION	CONTROLS				
ASL5	0	8	5	0	0	B	2	0	3	C	D	S	2	S	T		

Series name

02 = 2.3 ft. 03 = 3 ft. 04 = 4 ft.
 05 = 5 ft. 06 = 6 ft. 07 = 7 ft.
 08 = 8 ft. 09 = 9 ft. 10 = 10 ft.

[ASL3] 100 w/ft., 125 w/ft., 150 w/ft., 188 w/ft., 250 w/ft.
 [ASL5] include all DBA watt densities plus 375 w/ft., 500w/ft., 600 w/ft., and 750w/ft. (bottom inlet only)

B = bottom inlet / F = front inlet

T = Single-pole thermostats PR = Power relay
 2T = Double-pole thermostats PE = Pneumatic/electric switch
 DS = Power on/off switch 2ST = Two-stage thermostat
 TR = Transformer relay

S - Standard Unit: Cabinet is the same length as heat deck.
 C - Custom Unit: Cabinet longer than heat deck (e.g. 6 ft. heat deck in a 7 ft. 3 in. cabinet) or multiple heat decks in single cabinet (e.g. 3 ft. and 28 in. heat deck in an 8 ft. 6 in. cabinet). Custom units require use of Custom Convector Layout Form to detail the unit for order entry.

1 = single-phase / 3 = three-phase

12 = 120V; 20 = 208V / 24 = 240V; 27 = 277V

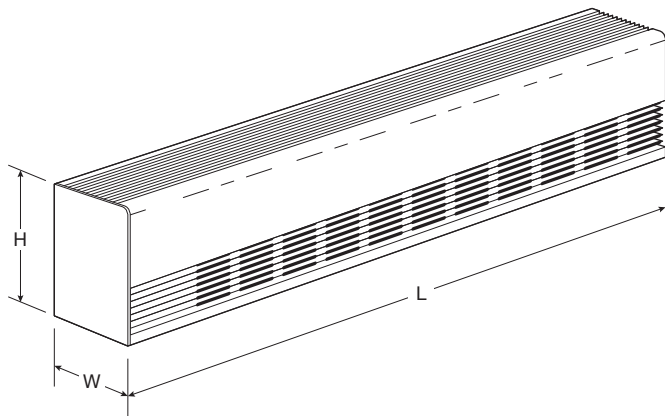
ASL3 & ASL5 SERIES ARCHITECTURAL SILL-HEIGHT CONVECTOR

ASL5 SERIES – PATENTED STAIR-STEP DESIGN

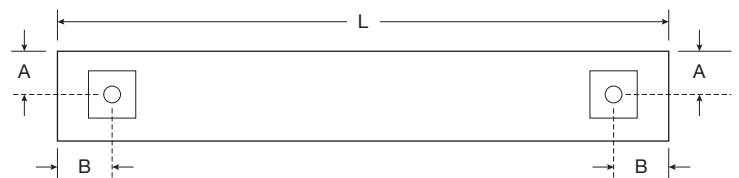
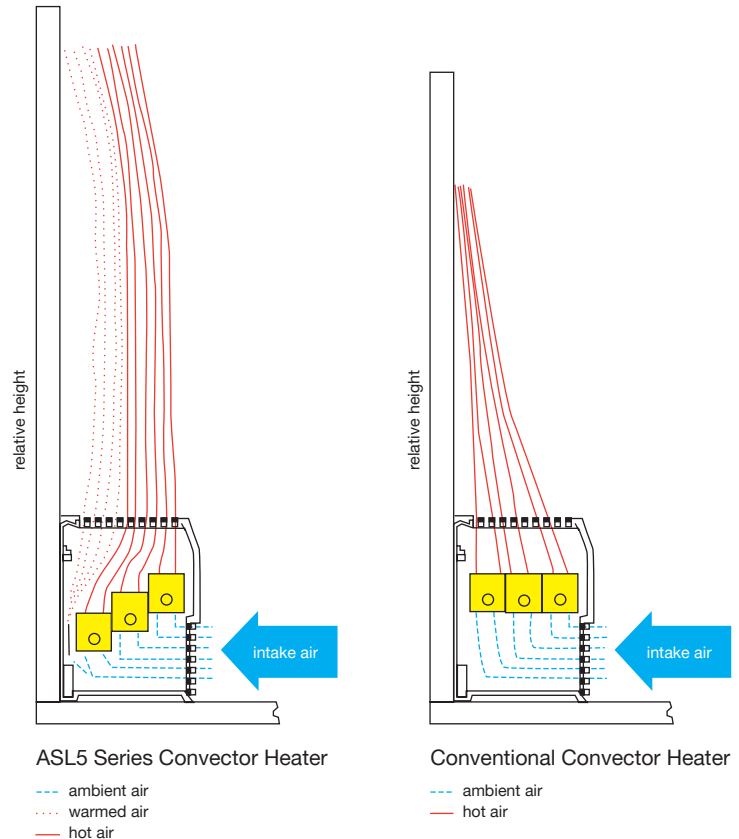
The “Stair-Step” patented design of heating elements of two- and three-element heaters controls the flow of air through the heater resulting in cooler wall temperatures compared to side-by-side arrangements of elements in conventional heaters. This unique design provides a more efficient and effective distribution of heat.

CABINET STYLES

Two cabinet styles are available. The ASL3 Series, designed for residential applications, is 3-5/8 x 6 in. and is available with one heating element. The ASL5 Series, designed for commercial applications, is 5-3/8 x 5 in. and is available with one, two, or three elements. Both styles are available in two versions: front-in/top-out and bottom-in/top-out.



DIMENSIONS			
CATALOG NO.	H	W	L
ASL3	6"	3-3/8"	28"-15'
ASL5	7"	5-5/8"	28"-15'



STANDARD PEDESTAL PLACEMENT			
CATALOG NO.	A	B	L
ASL3	2"	2-1/4"	28"-10'
ASL5	2"	2-1/4"	28"-12'

NOTE: On units longer than 10 ft., three pedestals are required. Consult factory for placement.