



Marley
Engineered Products

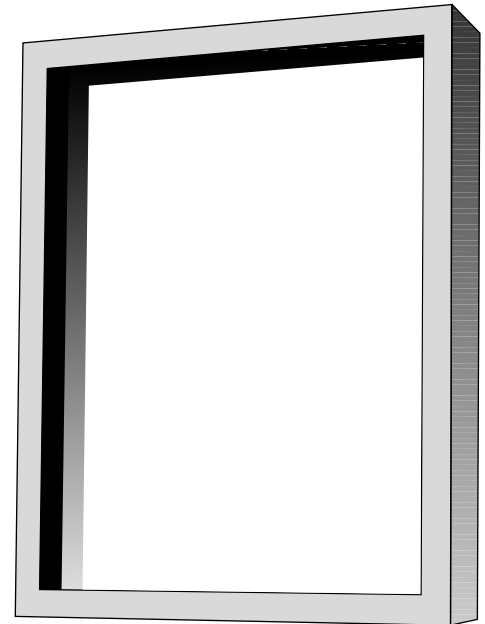
INSTALLATION INSTRUCTIONS
**SURFACE MOUNTING
ADAPTER**
MODELS 417 & 418

READ AND SAVE THESE INSTRUCTIONS

Read carefully before attempting to assemble, install, operate or maintain the product described. Protect yourself and others by observing all safety information. Failure to comply with instructions could result in personal injury and/or property damage! Retain instructions for future reference.

Description

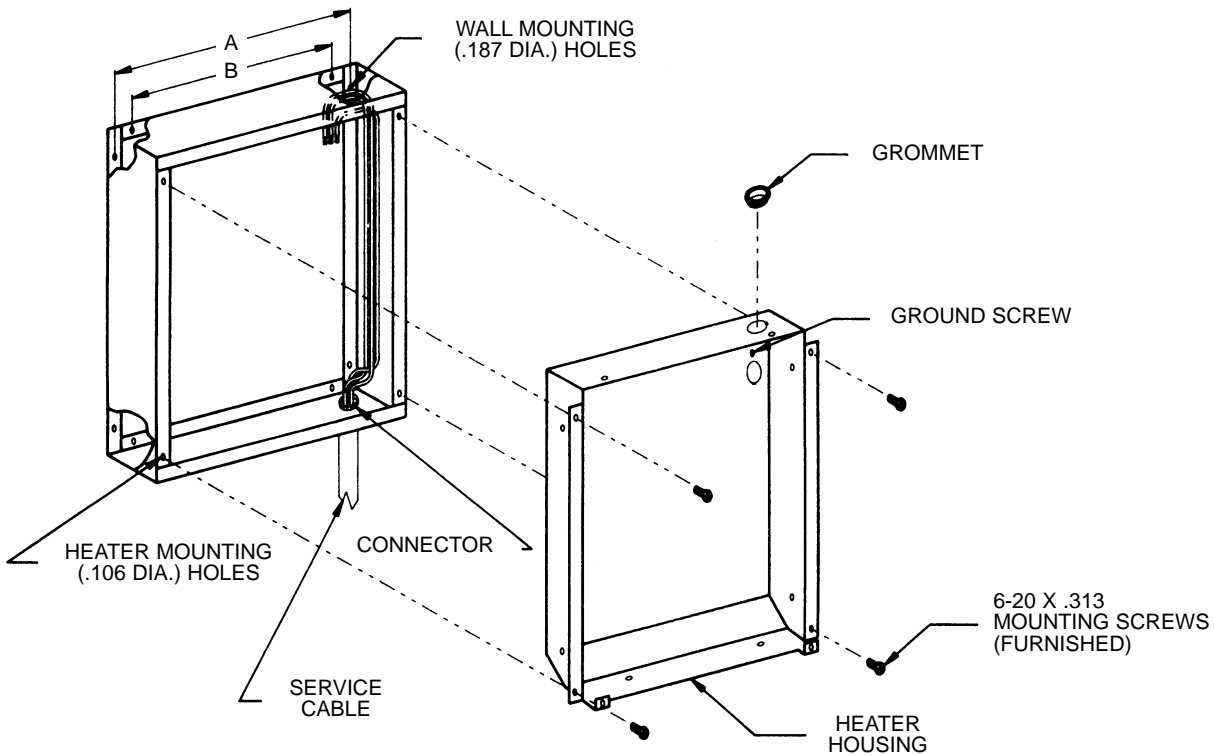
The Surface Mounting Adapter is used when recessed installation of the wall heater is impractical. One side has (8) .187 diameter holes for mounting to wall, the other has (4) .106 diameter holes for mounting heater to adapter. The adapter can be mounted on most wall surfaces - brick, concrete, cement block, wood, plaster, etc.



1. Follow all state and local safety codes as well as the National Electric Code (NEC) and the Occupational Safety and Health Act (OSHA).
2. Before attempting any electrical connections to this heater, make sure that the circuit breaker controlling the circuit to which the heater is to be connected has been thrown to the off position. The circuit breaker panel door should be locked or tagged while heater wiring is being connected.
3. The heater must be grounded in accordance with the applicable codes to the ground screw provided in the housing.
4. Protect the power supply cable from kinks, sharp objects, oil, grease, hot surfaces or chemicals.
5. Do not install the heater behind room or cabinet doors or in a position such that the air discharge can be blocked in any manner. Do not install behind towel racks, furniture, drapes or coat racks.
6. Check heater voltage on data plate and make sure that it is the same as the electric service supply.

SPECIFICATIONS

Model No.	Dimensions (Inches)					Models Used With
	H	W	D	A	B	
418	21.56	16.44	4.00	15.00	13.88	A2515T thru A2548T B2530 & B2540
417	16.24	13.20	4.00	11.76	10.64	B2451 & B2452



Installation

1. Mount surface wall adapter to wall with appropriate fastener (furnished by installer) through wall mounting holes. Adapter must be mounted a minimum of 18" above the finished floor. **NOTE: LARGE (.187 Diameter) HOLES are clearance holes for wall mounting screws and SMALL (.106 Diameter) HOLES for mounting heater to adapter.**
2. Allow 30" of service cable, removing 28" of outer jacket, and stripping individual conductors 1/2" from the ends.
3. Run service leads through the hole in the bottom of the surface wall adapter using an approved connector. Install provided grommet in top knockout hole in heater housing. Run cable through grommet.
4. Place heater housing inside of the adapter as shown in illustration above and secure with the (4) 6-20 x 5/16" screws. Connect ground wire under ground screw in housing.
5. Proceed to mount and wire heating unit assembly per HEATER ASSEMBLY INSTALLATION AND WIRING instructions.