

READ AND SAVE THESE INSTRUCTIONS.



Marley
Engineered Products

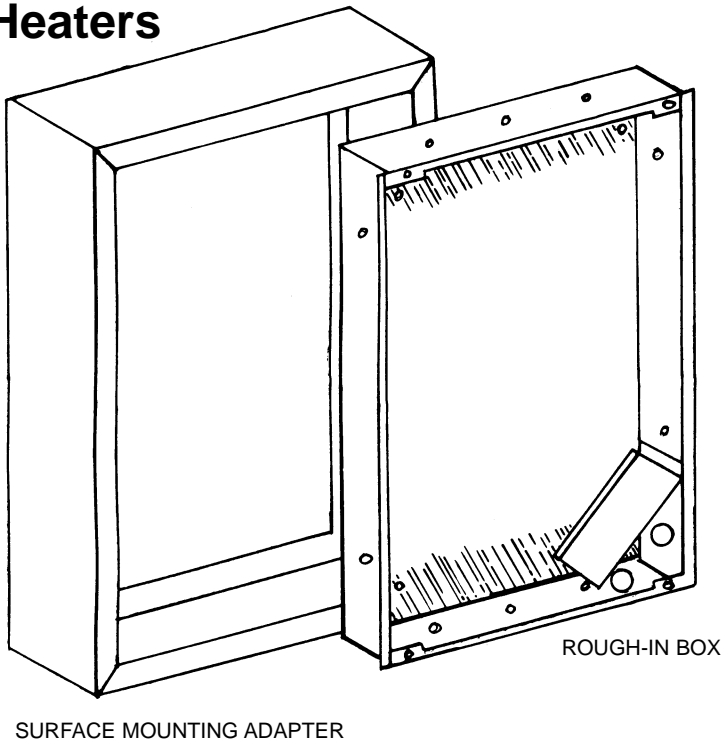
Installation Instructions

SURFACE MOUNTING ADAPTER - MODEL 414

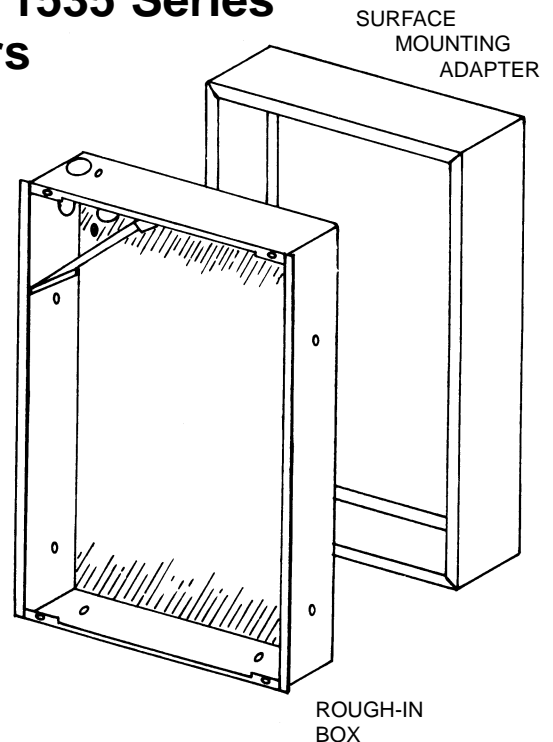
Use with 1235 Series and 1535 Series Heaters

1. Follow instructions supplied with heater to remove heater from rough-in box.
2. Drill four holes in back of rough-in box as close to corners as possible. If holes cannot be located within shaded area, use screws with head height less than 1/4".
3. Place rough-in box inside surface mounting adapter. If service cable is brought in the end or side knockout, it will be necessary to drill a corresponding hole in the adapter.
4. Bring service cable to rough-in box by removing appropriate knockout.
5. Screw rough-in box to wall by using No. 12 or No. 14 wood screws or 1/4" anchor bolts at four holes.
6. Center adapter on box before tightening screws.
7. Connect heater leads to service. Connect ground wire to ground bolt in rough-in box.
8. Reassemble heater into rough-in box.
9. Your heater is now assembled and ready for use.

Model 1235 Series Heaters



Model 1535 Series Heaters



HOW TO ORDER REPAIR PARTS

In order to obtain any needed repair or replacement parts, warranty service or technical information, please contact Marley Electric Heating Service Center toll-free by calling 1-800-642-HEAT.

When ordering repair parts, always give the information listed as follows:

1. The Part Number
2. The Model Number
3. The Part Description
4. Date of Manufacture



Marley
Engineered Products

470 Beauty Spot Rd. East
Bennettsville, SC 29512 USA