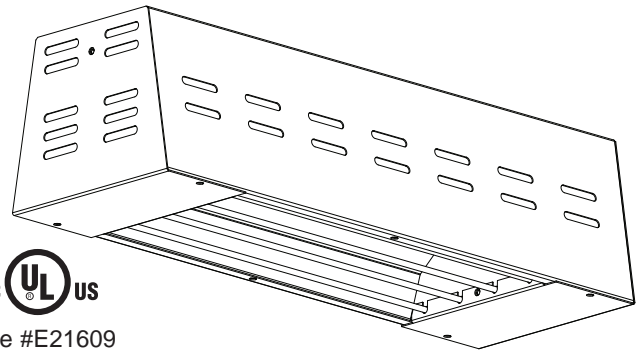




# Marley

Engineered Products



File #E21609

## RADIANT PLUG-IN HEATERS


MODEL NO.	VOLTS	WATTS	AMPS	BTU/HR
FRR10512B	120	500	4.2	1706

# Installation & Maintenance Instructions


Dear Owner,

*Congratulations! Thank you for purchasing this new heater manufactured by Marley Engineered Products. You have made a wise investment selecting the highest quality product in the heating industry. Please carefully read the installation and maintenance instructions shown in this manual. You should enjoy years of efficient heating comfort with this product from Marley Engineered Products... the industry's leader in design, manufacturing, quality and service.*

*... The Employees of Marley Engineered Products*



## WARNING



**Read Carefully** - This instruction sheet contains vital information for the proper installation, use, and efficient operation of the heater described. Carefully read this manual before installation, cleaning, or operation of the heater. Failure to adhere to the instructions could result in fire, electrical shock, death, serious personal injury, or property damage. Save these instructions and review frequently for continuing safe operation and instructing future users.

**CAUTION - TO REDUCE RISK OF FIRE AND ELECTRIC SHOCK:**

1. Disconnect all power coming to heater at main service panel before wiring, installing elements, servicing, or disassembling heater.
2. The outlet to which the heater is connected must be a 120 volt AC circuit. The AC circuit must be protected by a 15 or 20 amp fuse or circuit breaker, and in accordance with the National Electrical Code and any Local Codes.
3. This heater is provided with a grounded-type plug and cord as shown in Fig. 1. An adapter is available for connecting three blade grounding-type plugs to two-slot receptacles. The green grounding lug extending from the adapter must be connected to a permanent ground such as a properly grounded outlet box. The adapter should not be used if a three-slot grounded receptacle is available.
4. Plug heater power cord directly into the electrical outlet. **Never** use an extension cord with this heater.
5. Minimum clearances, as specified, must be maintained. Keep combustible material, such as boxes, crates, clothing etc., away from heater.
6. This heater is not suitable for use in hazardous locations as described by the National Fire Protection Association (NFPA). Do not use in areas where paint, gasoline, or other flammable liquids are used or stored.
7. This heater is not suitable for use in corrosive, wet or high humidity areas such as swimming pools areas, etc. For indoor use only.
8. This heater is intended for ceiling mounting using chains provided. Do not recess heater. Elements must be horizontal.

**SAVE THESE INSTRUCTIONS**

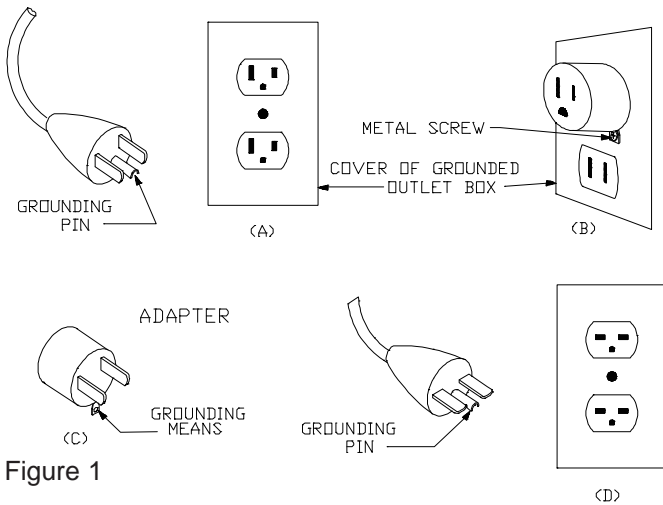


Figure 1

### General

These heaters are designed for indoor chain mounting. Not for recess installation. Elements may be installed prior to mounting unit. **DO NOT USE IN OUTDOOR LOCATIONS**

**Mounting Limitation**– Observe all minimum dimensions from ceiling, walls, floor and combustible material.

Maintain minimum clearances of:

- 12" (305 mm) to vertical wall surface parallel to heater
- 6" (152 mm) from ends of heater to vertical wall surfaces
- 6" (152 mm) to ceiling
- 72" (1829 mm) to floor When heater is mounted the minimum distance to the wall, do not angle the heater toward the wall.

### Installation of Quartz Tube Elements

1. Remove two end caps (4 screws) and wire guard to gain access to terminal blocks.
  2. Remove element from wrapping.
- NOTE: Do not handle quartz element with bare hands, or with gloves or rags that may have grease on them.
3. Feed the element wire through element support bracket, install fiberglass sleeving, and plug female quick connect from element to male quick connect from terminal block.
  4. Replace end caps and wire guard.

**WARNING**

**Excess element lead wires could come in contact with the heater enclosure and create an electrical shock or fire hazard. Leads must be covered by fiberglass sleeve.**

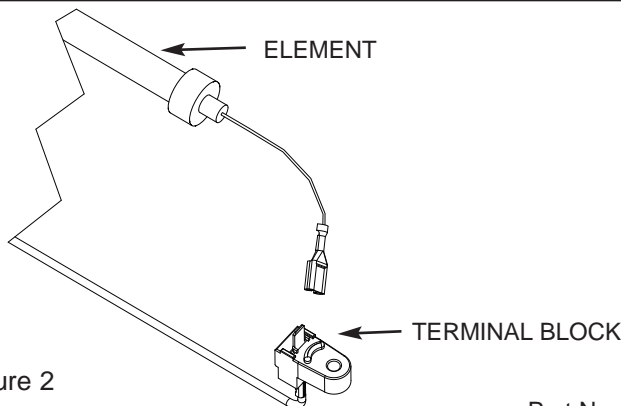


Figure 2

## Chain Mounting (Indoor Only)



### IMPORTANT

The UL listing for this ceiling mounted heater requires that it be positively mounted to the ceiling structure so that it cannot be removed without the use of a tool. Attach support chains provided with heater to ceiling structure using bolts or other hardware so that heater cannot be removed without a tool. If the "S" hooks are used for mounting, they must be closed to assure the heater is permanently mounted.

- 1.. Attach chain links to ceiling accordingly, to achieve desired mounting height (see Mounting Limitation).
2. Attach "S" hook to top of heater enclosure to complete mounting.
3. Plug heater power supply cord into 120 volt 3 wire outlet. The power cord is equipped with a 3 wire grounded plug and must be inserted into a matching receptacle. (see warnings 1,2,3,&4)

### LIMITED WARRANTY

All products manufactured by Marley Engineered Products are warranted against defects in workmanship and materials for one year from date of installation. This warranty does not apply to damage from accident, misuse, or alteration; nor where the connected voltage is more than 5% above the nameplate voltage; nor to equipment improperly installed or wired or maintained in violation of the product's installation instructions. All claims for warranty work must be accompanied by proof of the date of installation.

The customer shall be responsible for all costs incurred in the removal or reinstallation of products, including labor costs, and shipping costs incurred to return products to Marley Engineered Products Service Center. Within the limitations of this warranty, inoperative units should be returned to the nearest Marley authorized service center or the Marley Engineered Products Service Center, and we will repair or replace, at our option, at no charge to you with return freight paid by Marley. It is agreed that such repair or replacement is the exclusive remedy available from Marley Engineered Products.

THE ABOVE WARRANTIES ARE IN LIEU OF ALL OTHER WARRANTIES EXPRESSED OR IMPLIED, AND ALL IMPLIED WARRANTIES OF MERCHANTABILITY AND FITNESS FOR A PARTICULAR PURPOSE WHICH EXCEED THE AFORESAID EXPRESSED WARRANTIES ARE HEREBY DISCLAIMED AND EXCLUDED FROM THIS AGREEMENT. MARLEY ENGINEERED PRODUCTS SHALL NOT BE LIABLE FOR CONSEQUENTIAL DAMAGES ARISING WITH RESPECT TO THE PRODUCT, WHETHER BASED UPON NEGLIGENCE, TORT, STRICT LIABILITY, OR CONTRACT.

Some states do not allow the exclusion or limitation of incidental or consequential damages, so the above exclusion or limitation may not apply to you. This warranty gives you specific legal rights, and you may also have other rights which vary from state to state.

For the address of your nearest authorized service center, contact Marley Engineered Products in Bennettsville, SC, at 1-800-642-4328. Merchandise returned to the factory must be accompanied by a return authorization and service identification tag, both available from Marley Engineered Products. When requesting return authorization, include all catalog numbers shown on the products.

### HOW TO OBTAIN WARRANTY SERVICE AND WARRANTY PARTS PLUS GENERAL INFORMATION

- |                                |                         |
|--------------------------------|-------------------------|
| 1. Warranty Service or Parts   | <b>1-800-642-4328</b>   |
| 2. Purchase Replacement Parts  | <b>1-800-654-3545</b>   |
| 3. General Product Information | <b>www.marlymep.com</b> |

**Note:** When obtaining service always have the following:

1. Model number of the product
2. Date of manufacture
3. Part number or description



**Marley**  
Engineered Products

470 Beauty Spot Rd. East  
Bennettsville, SC 29512 USA