



ASSEMBLY INSTRUCTIONS & PARTS MANUAL  
**CEILING FAN GUARDS**  
 MODELS: 2800-1 AND 2800-2

**READ CAREFULLY BEFORE ATTEMPTING TO ASSEMBLE, INSTALL, OPERATE, OR MAINTAIN THE PRODUCT DESCRIBED. PROTECT YOURSELF AND OTHERS BY OBSERVING ALL SAFETY INFORMATION. FAILURE TO COMPLY WITH INSTRUCTIONS COULD RESULT IN PERSONAL INJURY AND/OR PROPERTY DAMAGE!**

**RETAIN INSTRUCTIONS FOR FUTURE REFERENCE.**



**Figure 1**

**Description**

The Leading Edge ceiling fan guards are designed to be used with Leading Edge Commercial/Industrial ceiling fans. This guard is strongly recommended for use on fans located in any area where there is a possibility of objects larger than 3" being thrown into the fan. This ceiling fan guard is suited for school gymnasiums, indoor arenas and other public areas. Each unit consists of 8 (eight) sections, guard, clamp, brace, and assembly hardware. The guard has a galvanized finish.

**General Safety Information**

NOTE: Ceiling fan guards to be used in conjunction with specified fan models only: 52" guard - 3620-1, 4820-1, and 62" guard - 5600-1LC, 5631-1R, 5610-1, 5600-1, 5601-1, 5600-7, 6000-1, 6001-1, 6010-1.

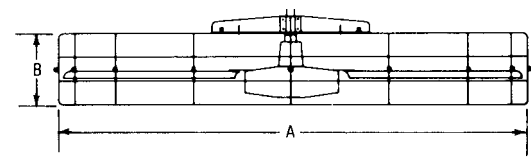
1. Care should be taken to ensure that power source to fan is locked off before guard is installed so that the fan creates no hazard to installer.
2. Make sure hanger hooks are mounted securely to structural ceiling members and must support 150 pound load limit.
3. Make sure guard is securely in place before placing fan into operation.

**Maintenance**

**WARNING: MAKE CERTAIN THAT THE POWER SOURCE IS DISCONNECTED BEFORE ATTEMPTING TO SERVICE OR DISASSEMBLE ANY COMPONENTS! IF THE POWER DISCONNECT IS OUT OF SIGHT, LOCK IT IN OPEN POSITION AND TAG TO PREVENT APPLICATION OF POWER.**

CLEANING

This fan guard may be wiped off with a damp cloth. If already installed on ceiling fan, do not allow the fan motor to get wet. Do not use solvents or harsh detergents.



**Figure 2**

**Dimensions**

MODEL NUMBER	DIMENSIONS	
	A	B
2800-1	62"	10 3/4"
2800-2	52"	10 3/4"

## Installation

1. Place three guard bottom sections on flat surface (floor) and connect together in  $\frac{3}{4}$  circle using enclosed  $1\frac{1}{8}$ " bolts, washers, lockwashers and  $\frac{5}{16}$ " nuts. (See Figure 3)

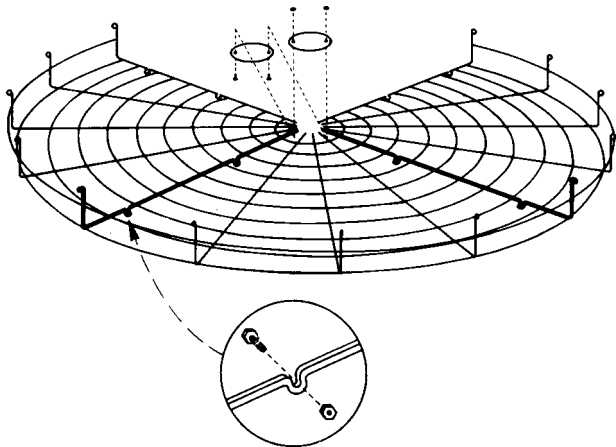


Figure 3 - Assemble Bottom Section

2. Place each of three guard top sections on top of matching bottom and bolt together using  $1\frac{1}{8}$ " and  $1\frac{1}{2}$ " bolts, washers, lockwashers and  $\frac{5}{16}$ " nuts. (At this time do not bolt the 2 top bolts closest to the center of the fan guard.) (See Figure 4)

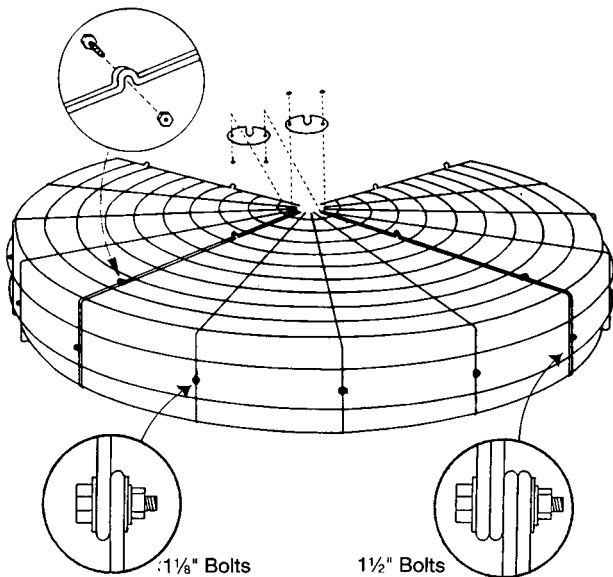


Figure 4 - Assemble Top Section

3. With three sections assembled, place  $\frac{1}{2}$  of guard clamp brace on top section and bolt to top of guard. (See Figure 5)

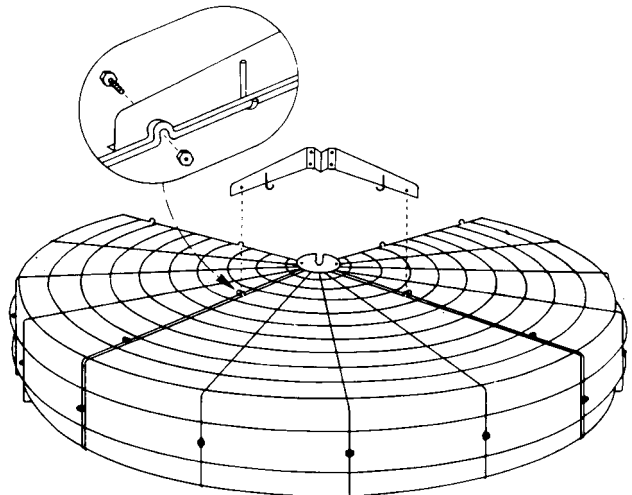


Figure 5 - Assemble Clamp Brace

4. Insert completely assembled fan with blades attached into guard and attach steel brace to fan downrod, leaving  $\frac{1}{2}$ " between top of canopy and guard and at least 2" from bottom of motor. Attach second half of guard clamp to the fan downrod. (See Figure 6)

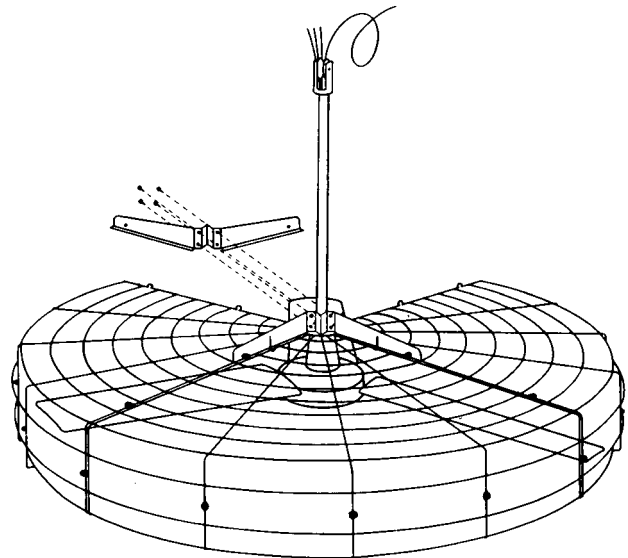
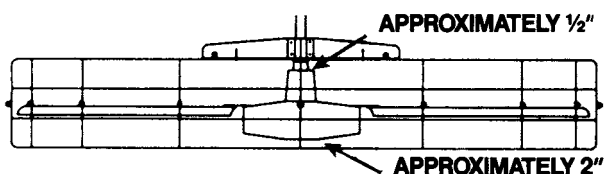


Figure 6 - Install Guard to Fan

### IMPORTANT!



LEAVE  $\frac{1}{2}$ " OF SPACE BETWEEN TOP OF CANOPY AND GUARD AND AT LEAST 2" FROM BOTTOM OF MOTOR. MAKE SURE ALL HARDWARE IS SECURE TO PREVENT GUARD/CANOPY FROM TOUCHING.

5. Hang fan from factory supplied "J" hook at the beam. (See Figure 7)

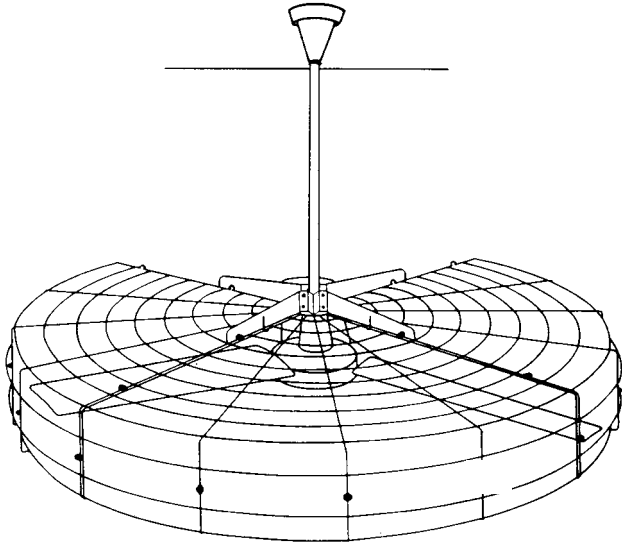


Figure 7 - Hang Fan & Guard

6. Install last quarter section of fan guard as in item two above and attach guard to clamp. (See Figure 8)

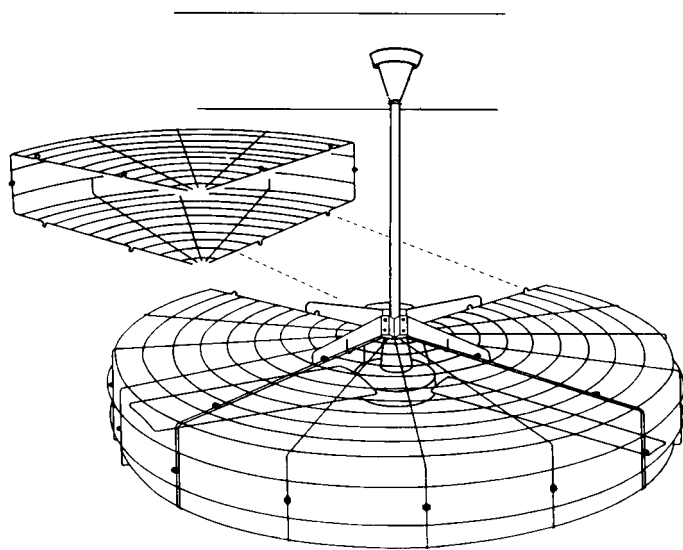


Figure 8 - Install Final Quarter

7. IMPORTANT: After fan guard is completely assembled and mounted, securely attach the "secondary support" cable to or around any structural member that will support 300 pounds as indicated in Figure 9

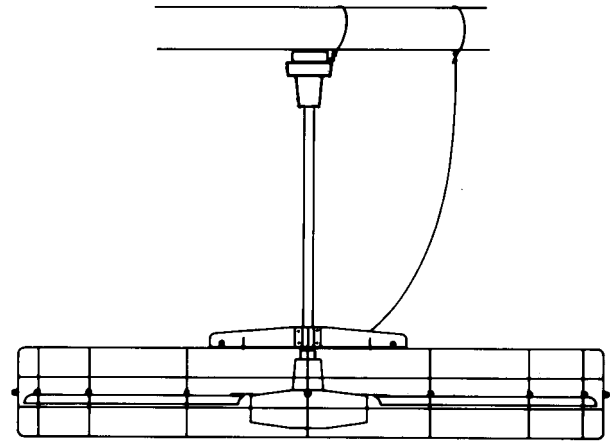


Figure 9 - Attach "Secondary Support Cable"

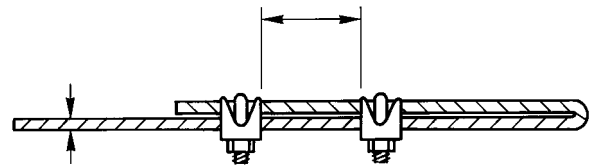


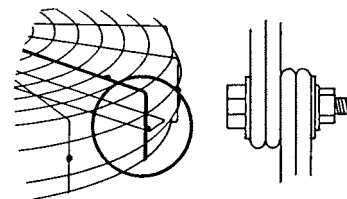
Figure 10 - "Secondary Support Cable" Clamp Positions

To obtain maximum holding power, install U-bolt section of clip on dead or short end of cable and saddle on long end of cable. Improper installation reduces the efficiency of the connection by as much as 40 percent.

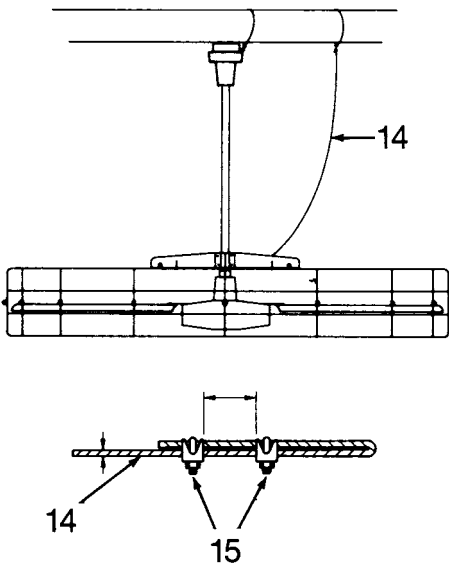
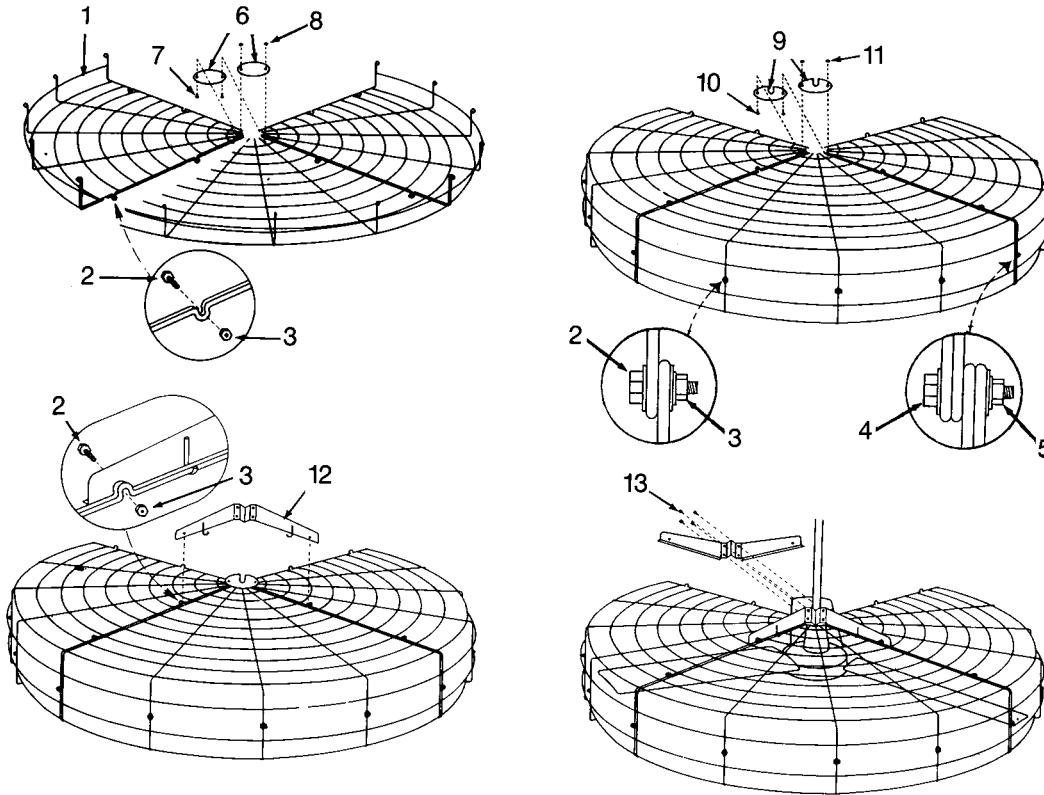
**NOTE: Cable must have at least 3 inches but no more than 5 inches of slack.**

**NOTE: Additional hardware may be required, which is available at your local hardware store.**

**IMPORTANT: LEAVE SLIGHT SLACK IN BOTH FAN "SECONDARY SUPPORT" CABLE AND GUARD "SECONDARY SUPPORT" CABLE TO AVOID RESTRICTION. MAKE SURE GUARD "SECONDARY SUPPORT" CABLE WILL NOT COME IN CONTACT WITH REVOLVING FAN BLADES.**



**CAUTION: Top and bottom quarter guard sections MUST be bolted together as shown above. This will maintain balance of guard.**



**Figure 11 - Replacement Parts Illustration**

**Replacement parts List**

REF. NO.	DESCRIPTION	PART NO.	QTY.
1	Quarter Section 62"	9G013947	8
1A	Quarter Section 52"	9G073947	8
2	5/16" X 1 1/8" Quarter Section Bolts	*	28
▲	5/16" Quarter Section Washers	*	56
▲	5/16" Quarter Section Lockwashers	*	28
3	5/16" Quarter Section Nuts	*	28
4	5/16" X 1 1/2" Half Section Bolts	*	4
▲	5/16" Half Section Washers	*	8
▲	5/16" Half Section Lockwashers	*	4
5	5/16" Half Section Nuts	*	4
6	Lower Disk Plate	9G023947	2
7	#6 X 3/4" Lower Disk Plate Screws	*	2
▲	#6 Lower Disk Plate Lockwashers	*	2
8	#6 Lower Disk Plate Nuts	*	2
9	Upper Disk Plate	9G033947	2
10	#6 X 3/4" Upper Disk Plate Screws	*	2
▲	#6 Upper Disk Plate Lockwashers	*	2
11	#6 Upper Disk Plate Nuts	*	2
12	Rod Brace	9G043947	2
13	1/4" X 1 1/2" Rod Brace Bolts	*	4
14	Secondary Support Cable	9G053947	1
15	Secondary Support Cable Clamps	9G063947	4

(▲) Not Shown (\*) Available at local hardware store

**HOW TO OBTAIN WARRANTY SERVICE AND WARRANTY PARTS PLUS GENERAL INFORMATION**

- 1. Warranty Service or Parts      1-800-642-4328
- 2. Purchase Replacement Parts    1-800-654-3545
- 3. General Product Information    www.marleymep.com

**Note:** When obtaining service always have the following:

- 1. Model number of the product
- 2. Date of manufacture
- 3. Part number or description



470 Beauty Spot Rd. East  
Bennettsville, SC 29512 USA