



Marley

Engineered Products

Q Series Fan Forced Electrical Accessories

INSTALLATION INSTRUCTIONS

Model No.	Description
QR24	24 Volt Power Relay 30A DPST
QR120	120 Volt Power Relay 30A DPST



WARNING



THIS INSTRUCTION SHEET CONTAINS VITAL INFORMATION FOR THE PROPER INSTALLATION, USE AND EFFICIENT OPERATION OF THE HEATER. CAREFULLY READ THE MANUAL BEFORE INSTALLATION, OPERATION, OR CLEANING OF THE HEATER. FAILURE TO ADHERE TO THE INSTRUCTIONS COULD RESULT IN FIRE, ELECTRIC SHOCK, DEATH, SERIOUS PERSONAL INJURY, OR PROPERTY DAMAGE.



CAUTION



TO AVOID POSSIBLE ELECTRICAL SHOCK, MAKE SURE ALL POWER IS DISCONNECTED AT SUPPLY BEFORE INSTALLING OR WIRING. ALL WIRING MUST BE IN ACCORDANCE WITH THE NATIONAL ELECTRICAL CODE REQUIREMENTS. ALL CONTROL WIRING MUST BE NEC CLASS 1 RATED 90° MIN.

INSTALLATION OF POWER RELAY

1. Install the power relay as shown in Figure 1, using the two screws provided for attachment.
2. To wire the power relay, refer to the wiring diagram, Figure 2 and proceed as follows.
 - a.) Disconnect the two blue wires from the terminal board contacts L2E/A and L2E/B.
 - b.) Connect the two blue wires from the terminal board to the red leads from the relay using wire nuts provided.
 - c.) Connect the two blue wires from the relay to the terminal board contacts marked L2E/A and L2E/B.
 - d.) Connect control voltage cable (from others) to the two black leads from relay (QR 24) or black and white leads (QR 120). All control wiring must be NEC Class I.
3. A snap bushing is provided to be used in the knockout hole for control wiring.

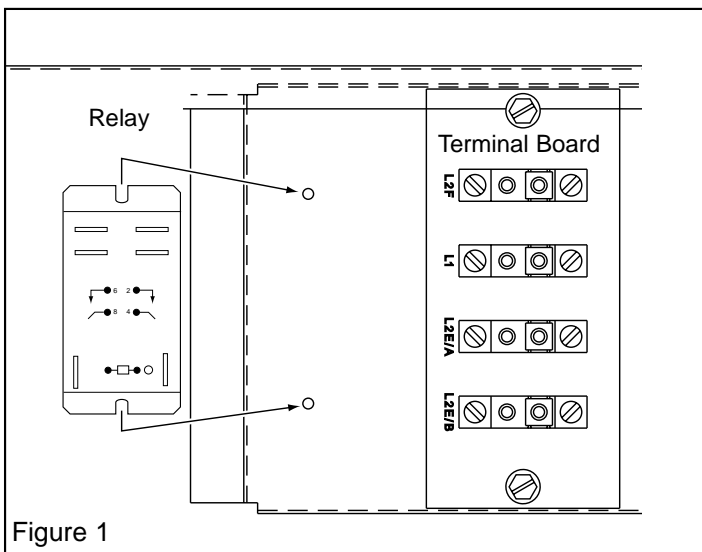


Figure 1

Wiring Diagram for "QR" Relay Accessory

QR24 - 24V Control
 QR120 - 120V Control
 All Control Wiring Must Be NEC Class 1.

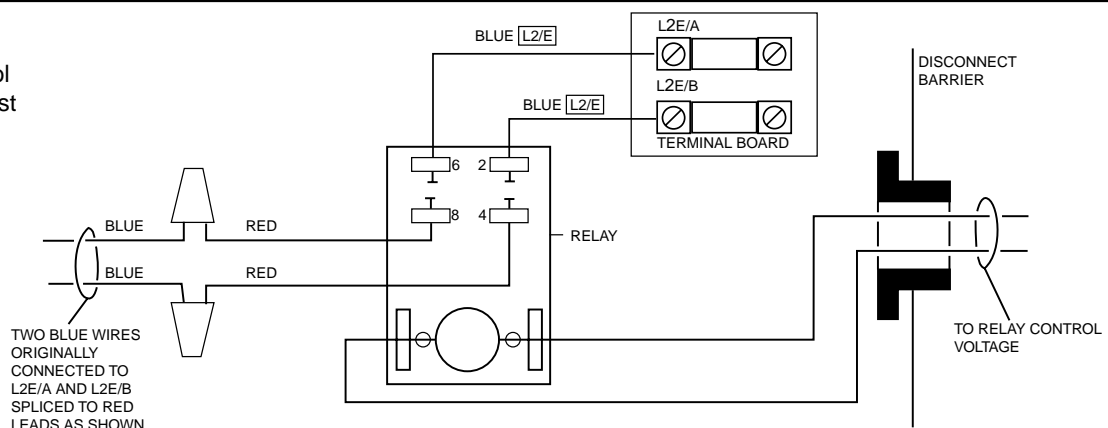


Figure 2

LIMITED WARRANTY

All products manufactured by Marley Engineered Products are warranted against defects in workmanship and materials for one year from date of installation, except heating elements which are warranted against defects in workmanship and materials for five years from date of installation. This warranty does not apply to damage from accident, misuse, or alteration; nor where the connected voltage is more than 5% above the nameplate voltage; nor to equipment improperly installed or wired or maintained in violation of the product's installation instructions. All claims for warranty work must be accompanied by proof of the date of installation.

The customer shall be responsible for all costs incurred in the removal or reinstallation of products, including labor costs, and shipping costs incurred to return products to Marley Engineered Products Service Center. Within the limitations of this warranty, inoperative units should be returned to the nearest Marley authorized service center or the Marley Engineered Products Service Center, and we will repair or replace, at our option, at no charge to you with return freight paid by Marley. It is agreed that such repair or replacement is the exclusive remedy available from Marley Engineered Products.

THE ABOVE WARRANTIES ARE IN LIEU OF ALL OTHER WARRANTIES EXPRESSED OR IMPLIED, AND ALL IMPLIED WARRANTIES OF MERCHANTABILITY AND FITNESS FOR A PARTICULAR PURPOSE WHICH EXCEED THE AFORESAID EXPRESSED WARRANTIES ARE HEREBY DISCLAIMED AND EXCLUDED FROM THIS AGREEMENT. MARLEY ENGINEERED PRODUCTS SHALL NOT BE LIABLE FOR CONSEQUENTIAL DAMAGES ARISING WITH RESPECT TO THE PRODUCT, WHETHER BASED UPON NEGLIGENCE, TORT, STRICT LIABILITY, OR CONTRACT.

Some states do not allow the exclusion or limitation of incidental or consequential damages, so the above exclusion or limitation may not apply to you. This warranty gives you specific legal rights, and you may also have other rights which vary from state to state.

For the address of your nearest authorized service center, contact Marley Engineered Products in Bennettsville, SC, at 1-800-642-4328. Merchandise returned to the factory must be accompanied by a return authorization and service identification tag, both available from Marley Engineered Products. When requesting return authorization, include all catalog numbers shown on the products.



Marley
Engineered Products

SPX Corporation
470 Beauty Spot Rd. East
Bennettsville, SC 29512 USA