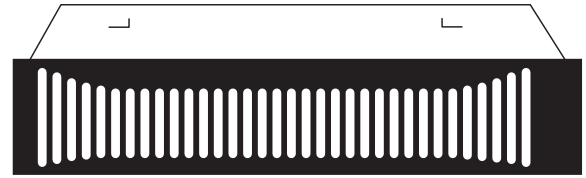




S1500TC & S1504TC

Electric Toe Space Heaters With Built-in Thermostat



Installation, Operation & Maintenance Instructions

Table 1. Specifications

Model No	Wattage	Voltage	Amperage
S1500TC	1500	120	12.5
	750		6.3
S1504TC	1500/1125	240 / 208	6.3 / 5.4
	750 / 563		3.1 / 2.7

IMPORTANT INSTRUCTIONS



WARNING



WHEN USING ELECTRIC APPLIANCES, BASIC PRECAUTIONS SHOULD ALWAYS BE FOLLOWED TO REDUCE THE RISK OF FIRE, ELECTRIC SHOCK, AND INJURY TO PERSONS, INCLUDING THE FOLLOWING:

1. Read all instructions before installing or using this heater.
2. This heater is hot when in use. To avoid burns, do not let bare skin touch hot surfaces. Keep combustible materials, such as furniture, pillows, bedding, papers, clothes, etc. and curtains at least 3 feet (0.9 m) from the front of the heater.
3. Extreme caution is necessary when any heater is used by or near children or invalids and whenever the heater is left operating and unattended.
4. Do not operate any heater after it malfunctions. Disconnect power at service panel and have heater inspected by a reputable electrician before using.
5. Do not use outdoors.
6. To disconnect heater, turn controls to off, and turn off power to heater circuit at main disconnect panel.
7. Do not insert or allow foreign objects to enter any ventilation or exhaust opening as this may cause an electric shock, fire, or damage to the heater.
8. To prevent a possible fire, do not block air intake or exhaust in any manner.
9. A heater has hot and arcing or sparking parts inside. Do not use it in areas where gasoline, paint, or flammable liquids are used or stored.
10. Use this heater only as described in this manual. Any other use not recommended by the manufacturer may cause fire, electric shock, or injury to persons.
11. This heater is provided with a red alarm light that will illuminate only if the heater has turned off as a result of overheating. If you see the light on, immediately turn the heater off and inspect for any objects on or adjacent to the heater that may have blocked the airflow or otherwise caused high temperatures to have occurred. **DO NOT OPERATE THE HEATER WITH THE ALARM LIGHT ILLUMINATING.**
12. This heater is intended for comfort heating applications and not intended for use in special environments. Do not use in damp or wet locations such as marine or greenhouse or in areas where corrosive or chemical agents are present.
13. When installing, see INSTALLATION INSTRUCTIONS for additional warnings and precautions.
14. For safe and efficient operation, and to extend the life of your heater, keep your heater clean - See MAINTENANCE INSTRUCTIONS.
15. **DO NOT INSTALL THIS HEATER UNDER CABINETS MADE OF VINYL OR COATED WITH VINYL.**

SAVE THESE INSTRUCTIONS

INSTALLATION INSTRUCTIONS

⚠ WARNING ⚠

To prevent a possible fire, injury to persons or damage to the heater, adhere to the following:

1. Disconnect all power coming to heater at main service panel before wiring or servicing.
2. All wiring procedures and connections must be in accordance with the National and Local Codes having jurisdiction and the heater must be grounded.
3. Power supply must enter back box through the knockouts. See also TOP marking on the back box for proper orientation.
4. Verify the power supply voltage coming to heater matches the ratings as shown on the heater nameplate.

CAUTION: ENERGIZING HEATER AT A VOLTAGE GREATER THAN THE VOLTAGE PRINTED ON THE NAMEPLATE WILL DAMAGE THE HEATER AND VOID THE WARRANTY AND COULD CAUSE A FIRE.

5. **CAUTION** - High temperature, risk of fire, keep electrical cords, drapery, furnishings, and other combustibles at least 3 feet (0.9 m) from front of heater. Do not install heater behind doors, below towel racks, or in an area where it is subject to being blocked by furniture, curtains or storage materials. Hot air from the heater may damage certain fabrics and plastics.
6. To reduce the risk of fire, do not store or use gasoline or other flammable vapors and liquids in the vicinity of the heater.
7. This heater is to be mounted only using back box and may be installed with the back box recessed or surface mounted as described within this manual.
8. The following minimum clearances must be maintained:
 - Bottom of heater to floor - 1/4" (6.4 mm).
 - Sides of heater to adjacent wall - 12" (305 mm).
 - Top of heater to ceiling - 36" (915 mm).
9. Do not operate the heater without the grille installed.
10. Do not use this heater for dry out as the paint, plaster, sawdust and drywall sanding dust will permanently damage the heater and must be kept out of the heater.

NOTE: Heater should be controlled by either built-in thermostat or wall thermostat. Either is purchased separately. A wall thermostat requires a separate feed from heater to thermostat.

HORIZONTAL INSTALLATION ONLY

This heater may be wired with standard building wiring (rated minimum 60° C).

1. Cut a 14 1/4" x 3 5/8" (361.9 mm x 92.1 mm) opening at desired location as shown in Fig. 1. Keep clearance area free of obstructions.
2. Remove top cover from heater enclosure by removing the cover screws.

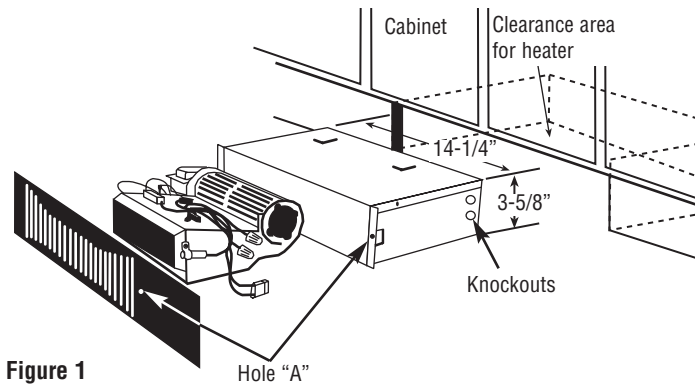


Figure 1

3. Determine which knockout in enclosure will be used for field wiring and remove (see Figure 1). Install strain relief (field supplied).
4. Fish field wiring through strain relief leaving 6" (12.7 mm) of wire inside box.
5. Make wiring connection, attaching field wiring to two (2) black pigtail leads for 240/208V model, or to black and white pigtail leads for 120V model with wirenuts (provided). Connect field ground lead to ground pigtail with wirenut (provided). See Figure 2.

NOTE: If wall thermostat is used:

- a. A double pole wall thermostat of the type where both poles cycle on and off by temperature change cannot be used with this heater. Only one pole may cycle and this pole must cycle heating element only, not the motor. Cycling both supply leads will defeat fan delay off feature and result in over-heating and possible damage to heater.
- b. Disconnect blue lead from built-in thermostat lead at point A on wiring diagram, Figure 3. Cap off thermostat lead with wirenut. Connect blue lead to field supply lead from load side of thermostat. (See Figure 3). Make remaining field wiring connections per Figure 3.

CAUTION ⚠

TO PREVENT HEATER DAMAGE OR A POSSIBLE FIRE HAZARD, IF WALL THERMOSTAT IS USED: A DOUBLE POLE WALL THERMOSTAT OF THE TYPE WHERE BOTH POLES CYCLE ON AND OFF BY TEMPERATURE CHANGE CANNOT BE USED WITH THIS HEATER. ONLY ONE POLE MAY CYCLE AND THIS POLE MUST CYCLE HEATING ELEMENT ONLY, NOT THE MOTOR. CYCLING BOTH SUPPLY LEADS WILL DEFEAT FAN DELAY OFF FEATURE AND RESULT IN OVER-HEATING AND POSSIBLE DAMAGE TO HEATER.

6. Replace and secure top cover on heater enclosure, and then position heater into opening.
7. Using the holes in the flanges of the enclosure for a template, secure both the front grille and the heater by drilling two .093" (3/32") (2.3 mm) diameter holes into the cabinet board and installing two No. 6 x 3/4" (No.6 x 19 mm) screws (supplied) through hole "A" (see Figure 1).

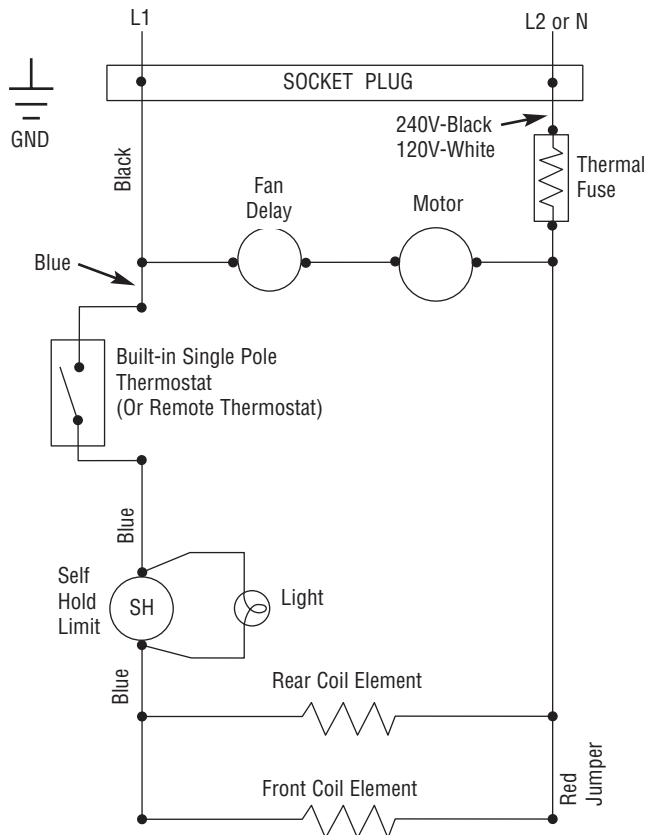


Figure 2 - Wiring With Internal Heater Mounted Thermostat (For lower wattage rating, remove red jumper)

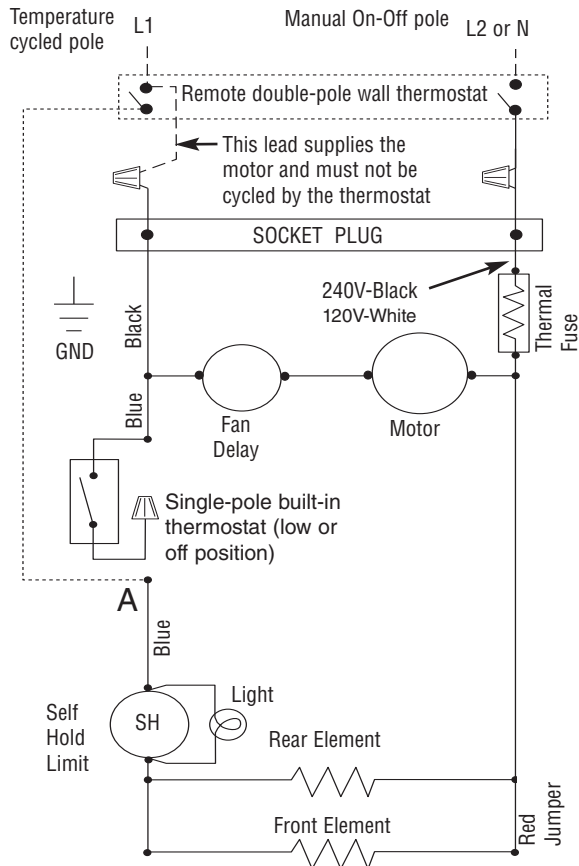


Figure 3 - Wiring For Remote Thermostat (For lower wattage rating remove red jumper)

OPERATING INSTRUCTIONS

1. Heater must be properly installed before operation.
2. After heater is completely assembled, rotate thermostat knob counterclockwise until control stops. This is the minimum heat setting.
3. Turn power supply to heater "ON" at main switch panel.
4. Heater should not operate. If it operates disconnect power and recheck wiring.
5. Rotate thermostat clockwise until it stops (maximum heat setting).
6. Heater and fan should come on. If heater and fan do not come on, disconnect power and check wiring.
7. Allow heater to continue to operate until room temperature reaches desired comfort level. Then rotate thermostat knob counterclockwise slowly until thermostat clicks off.
8. It may be necessary to readjust thermostat a time or so until exact comfort level is attained. Rotation in the clockwise direction will increase the amount of time the heater will produce heat. Rotation in the counterclockwise direction will reduce the amount of time the heater is on.

NOTE: For best results, the heater should be left "ON" constantly during the heating season as the thermostat, when properly set, will maintain the desired temperature. In the full counter-clockwise position the heater will remain off until the room temperature drops well below freezing.

How To Reset Over -Temperature Safety Control:

This heater is provided with an over-temperature safety control that will turn the heater off if the heater overheats. If this control operates, a red warning light, visible through the front of the grille, will illuminate to alert the owner that the heater is off and requires attention.

⚠ WARNING ⚠

DO NOT TAMPER WITH OR BYPASS ANY SAFETY LIMITS INSIDE HEATER.

1. Turn the heater off at the thermostat AND disconnect power at the circuit breaker for at least 10 minutes to allow the heater to cool and the safety control to reset.
2. When the heater has cooled, check to see if the heater is blocked or excessively dirty as these conditions may cause overheating. Remove any blockages and /or refer to the **Cleaning Heater** section for cleaning instructions if dirty.
3. Turn circuit breaker on, reset thermostat to desired setpoint, and verify the heater is operating normally.
4. If the heater malfunctions again and the red light illuminates, disconnect power at the circuit breaker and have the heater inspected by a qualified electrician.

CAUTION ⚠

CAUTION - DO NOT CONTINUE TO ATTEMPT TO USE THE HEATER IF THE SAFETY CONTROL REPEATEDLY OPERATES AFTER BEING RESET. TO DO SO COULD PERMANENTLY DAMAGE THE HEATER OR CREATE A FIRE OR SAFETY HAZARD.

Special Note: In addition to the over-temperature safety control, this heater is provided with a back-up thermal fuse (one shot) that will permanently shut the heater off if for some reason the over-temperature safety control should not function as intended. If this thermal fuse activates, the heater will not reset and must be repaired by a qualified repair person

MAINTENANCE INSTRUCTIONS

It is important to keep this heater clean. Your heater will give you years of service and comfort with only minimum care. To assure efficient operation follow the simple instructions below.

WARNING

ALL SERVICING BEYOND SIMPLE CLEANING THAT REQUIRES DISASSEMBLY SHOULD BE PERFORMED BY QUALIFIED SERVICE PERSONNEL.

WARNING

TO REDUCE RISK OF FIRE AND ELECTRIC SHOCK OR INJURY, DISCONNECT ALL POWER COMING TO HEATER AT MAIN SERVICE PANEL AND CHECK THAT THE ELEMENT IS COOL BEFORE SERVICING OR PERFORMING MAINTENANCE.

User Cleaning Instructions:

1. After the heater has cooled, a vacuum cleaner with brush attachment may be used to remove dust and lint from exterior surfaces of the heater including the grille openings.
2. With a damp cloth, wipe dust and lint from grille and exterior surfaces.
3. Return power to heater and check to make sure it is operating properly.

Maintenance Cleaning Instructions:

(To be performed only by Qualified Service Personnel)

At least annually, the heater should be cleaned and serviced by a qualified service person to assure safe and efficient operation. This should include the removal of the grille and, as necessary the heater from the backbox to clean residue from the unit. After completing the cleaning and servicing, the heater should be fully reassembled and checked for proper operation.

LIMITED WARRANTY

All products manufactured by Marley Engineered Products are warranted against defects in workmanship and materials for one year from date of installation, except heating elements which are warranted against defects in workmanship and materials for five years from date of installation. This warranty does not apply to damage from accident, misuse, or alteration; nor where the connected voltage is more than 5% above the nameplate voltage; nor to equipment improperly installed or wired or maintained in violation of the product's installation instructions. All claims for warranty work must be accompanied by proof of the date of installation.

The customer shall be responsible for all costs incurred in the removal or reinstallation of products, including labor costs, and shipping costs incurred to return products to Marley Engineered Products Service Center. Within the limitations of this warranty, inoperative units should be returned to the nearest Marley authorized service center or the Marley Engineered Products Service Center, and we will repair or replace, at our option, at no charge to you with return freight paid by Marley. It is agreed that such repair or replacement is the exclusive remedy available from Marley Engineered Products.

THE ABOVE WARRANTIES ARE IN LIEU OF ALL OTHER WARRANTIES EXPRESSED OR IMPLIED, AND ALL IMPLIED WARRANTIES OF MERCHANTABILITY AND FITNESS FOR A PARTICULAR PURPOSE WHICH EXCEED THE AFORESAID EXPRESSED WARRANTIES ARE HEREBY DISCLAIMED AND EXCLUDED FROM THIS AGREEMENT. MARLEY ENGINEERED PRODUCTS SHALL NOT BE LIABLE FOR CONSEQUENTIAL DAMAGES ARISING WITH RESPECT TO THE PRODUCT, WHETHER BASED UPON NEGLIGENCE, TORT, STRICT LIABILITY, OR CONTRACT.

Some states do not allow the exclusion or limitation of incidental or consequential damages, so the above exclusion or limitation may not apply to you. This warranty gives you specific legal rights, and you may also have other rights which vary from state to state.

For the address of your nearest authorized service center, contact Marley Engineered Products in Bennettsville, SC, at 1-800-642-4328. Merchandise returned to the factory must be accompanied by a return authorization and service identification tag, both available from Marley Engineered Products. When requesting return authorization, include all catalog numbers shown on the products.

HOW TO OBTAIN WARRANTY SERVICE AND WARRANTY PARTS PLUS GENERAL INFORMATION

- | | |
|--------------------------------|--|
| 1. Warranty Service or Parts | 1-800-642-4328 |
| 2. Purchase Replacement Parts | 1-800-654-3545 |
| 3. General Product Information | www.marlymep.com |

Note: When obtaining service always have the following:

1. Model number of the product
2. Date of manufacture
3. Part number or description



Marley
Engineered Products

470 Beauty Spot Rd. East
Bennettsville, SC 29512 USA

S1500TC y S1504TC

Calentadores eléctricos de zócalo
con termostato incorporado



Instrucciones de instalación, utilización y mantenimiento

Tabla 1. Especificaciones

Modelo N.º	Potencia (W)	Voltaje (V)	Corriente (A)
S1500TC	1 500	120	12,5
	750		6,3
S1504TC	1 500/1 125	240 / 208	6,3 / 5,4
	750 / 563		3,1 / 2,7

INSTRUCCIONES IMPORTANTES



ADVERTENCIA



CUANDO SE UTILIZAN APARATOS ELÉCTRICOS SIEMPRE DEBEN SEGUIRSE PRECAUCIONES BÁSICAS PARA REDUCIR EL RIESGO DE INCENDIO, DESCARGAS ELÉCTRICAS Y LESIONES A PERSONAS, ENTRE ELLAS LAS SIGUIENTES:

1. Lea todas las instrucciones antes de instalar o utilizar este calefactor.
2. Este calefactor se calienta cuando está en uso. Para evitar quemaduras, no toque las superficies calientes. Mantenga los materiales combustibles, tales como muebles, almohadas, ropa de cama, papeles, ropa y cortinas a más de 3 pies (0,9 m) del frente del calefactor.
3. Tome precauciones extremas cuando el calefactor sea usado por o cerca de niños o personas con problemas motrices y siempre que el calefactor se deje en funcionamiento sin vigilancia.
4. No utilice el calefactor si ha sufrido desperfectos. Desconecte la energía eléctrica en el panel de suministro y haga revisar el calefactor por un electricista matriculado antes de usarlo.
5. No lo use al aire libre.
6. Para desconectar el calefactor, apague los controles y desconecte el circuito de alimentación del calefactor en el panel eléctrico principal.
7. No inserte ni permita que objetos extraños penetren en las aberturas de entrada o salida de aire del calefactor pues se podría producir una descarga eléctrica, un incendio o averías en el calefactor.
8. Para evitar un posible incendio, no obstruya las entradas o salidas de aire del calefactor de ninguna manera.
9. El calefactor tiene en su interior piezas calientes y que pueden producir arcos o chispas. No use el calefactor en lugares donde se utilizan o almacenan gasolina, pintura o líquidos inflamables.
10. Utilice este calefactor únicamente como se describe en este manual. Cualquier otro uso no recomendado por el fabricante puede causar incendios, descargas eléctricas o lesiones personales.
11. Este calefactor incluye una luz roja de alarma que solo se encenderá si el calefactor se apaga por sobrecalentamiento. Si ve la luz encendida, apague inmediatamente el calefactor y revise si hay objetos sobre el calefactor o cerca de él que puedan haber bloqueado el flujo de aire o causado un exceso de temperatura.
NO USE EL CALEFACTOR SI LA LUZ DE ALARMA ESTÁ ENCENDIDA.
12. Este calefactor está construido para ofrecer una calefacción adecuada en un ambiente normal y no para ser usado en ambientes especiales. No lo utilice en lugares húmedos o mojados tales como ambientes marinos o invernaderos o en zonas en las que haya elementos corrosivos o productos químicos.
13. Al instalarlo, vea las INSTRUCCIONES DE INSTALACIÓN donde encontrará advertencias y precauciones adicionales.
14. Para lograr un funcionamiento seguro y eficiente, y una mayor vida útil de su calefactor, manténgalo limpio. Vea las **INSTRUCCIONES DE MANTENIMIENTO**.
15. **NO INSTALE ESTA CALEFACTOR DEBAJO DE GABINETES DE VINILO O REVESTIDOS EN VINILO.**

GUARDE ESTAS INSTRUCCIONES

INSTRUCCIONES DE INSTALACIÓN

⚠ ADVERTENCIA ⚠

Para evitar la posibilidad de incendios, lesiones personales o averías en el calefactor, cumpla las siguientes indicaciones:

1. Desconecte la alimentación del calefactor en el panel de suministro eléctrico antes de instalarlo o repararlo.
2. Todos los procedimientos de cableado y las conexiones deben cumplir con los códigos nacionales y locales pertinentes y el calefactor debe estar conectado a tierra.
3. La alimentación eléctrica debe entrar a la caja posterior a través de los accesos troquelados. Para orientar correctamente la caja posterior, vea la marca ubicada en su PARTE SUPERIOR.
4. Verifique que el voltaje de alimentación del calefactor coincida con los valores indicados en su placa de identificación.

PRECAUCIÓN: SI EL VOLTAJE DE ALIMENTACIÓN DEL CALEFACTOR ES MAYOR QUE EL IMPRESO EN LA PLACA DE IDENTIFICACIÓN, DAÑARÁ EL CALEFACTOR, ANULARÁ LA GARANTÍA Y PODRÍA CAUSAR UN INCENDIO.

5. **PRECAUCIÓN:** el calefactor genera una temperatura elevada y existe el riesgo de incendio. No permita que haya cables eléctricos, objetos de tela, muebles y otros elementos combustibles a menos de 3 pies (0,9 m) del frente del calefactor. No instale el calefactor detrás de puertas ni debajo de toalleros o en lugares en los que pudiera resultar cubierto por muebles, cortinas o materiales almacenados. El aire caliente del calefactor puede dañar algunas telas y plásticos.
6. Para reducir el riesgo de incendio, no almacene ni utilice gasolina ni gases o líquidos inflamables cerca del calefactor.
7. Este calefactor se debe montar utilizando únicamente la caja posterior. Se puede instalar con la caja posterior empotrada o sobre la superficie como se describe en este manual.
8. Se deben respetar las siguientes separaciones mínimas:
 - Parte inferior del calefactor al suelo: 1/4" (6,4 mm).
 - Lados del calefactor a pared adyacente: 12" (305 mm).
 - Parte superior del calefactor al techo: 36" (915 mm).
9. No utilice el calefactor sin haber instalado la rejilla.
10. No utilice este calefactor para tareas de secado pues la pintura, el yeso, el aserrín y el polvo producido por el lijado de las paredes dañarán permanentemente el calefactor y se debe evitar que estas materias penetren en su interior.

NOTA: el calefactor se debe controlar mediante el termostato integrado o por un termostato remoto de pared que puede adquirirse por separado. El termostato de pared requiere una alimentación propia desde el calefactor.

ÚNICAMENTE PARA INSTALACIÓN HORIZONTAL

Para el cableado de este calefactor se pueden utilizar conductores estándar para cableado de edificios (temperatura mínima nominal de 60° C).

1. Corte un hueco de 14-1/4" x 3-5/8" (361,9 mm x 92,1 mm) en el lugar deseado como se muestra en la figura 1. Mantenga libre de obstrucciones el área por encima del calefactor.
2. Quite los tornillos de la tapa superior de la caja del calefactor y desmonte la tapa.

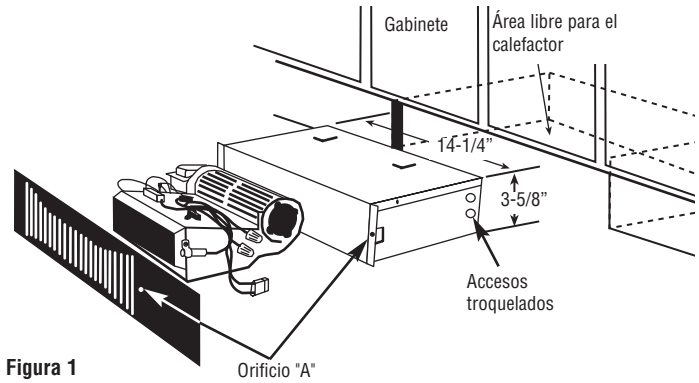


Figura 1

3. Escoja y retire el acceso troquelado de la caja que será utilizado para el cableado (vea la figura 1). Instale el prensacables (provisto por el instalador).
4. Pase el cable por el prensacables dejando 6" (152 mm) de cable en el interior de la caja.
5. Conecte los cables de alimentación a los dos (2) cables negros (en el modelo para 240/208 V), o a los cables negro y blanco (en el modelo para 120 V) con conectores adecuados (provistos por el instalador). Conecte el cable de tierra de la alimentación al cable de tierra del calefactor con el conector a rosca aislado suministrado (vea la figura 2).

NOTA: si se usa un termostato de pared:

- a. Los termostatos bipolares de pared cuyos contactos abren y cierran según el cambio de temperatura, no pueden utilizarse con este calefactor. Solo se pueden utilizar termostatos provistos de un contacto que encienda y apague el elemento calentador, no el motor. La interrupción de la alimentación en ambos cables impedirá la ejecución de la función de retardo del ventilador, lo cual producirá un sobrecalentamiento y probablemente averías en el calefactor.
- b. Desconecte el cable azul del termostato integrado en el punto A indicado en el diagrama de cableado, figura 3, y cubra el extremo del cable con un conector a rosca aislado. Conecte el cable azul al cable del lado de carga del termostato (vea la figura 3). Conecte el resto de los cables de acuerdo a lo indicado en la figura 3.

ATTENTION ⚠

PARA EVITAR LA POSIBILIDAD DE INCENDIOS O AVERÍAS EN EL CALEFACTOR A CAUSA DEL USO DE UN TERMOSTATO DE PARED: LOS TERMOSTATOS BIPOLARES DE PARED CUYOS CONTACTOS ABREN Y CIERRAN SEGÚN EL CAMBIO DE TEMPERATURA, NO PUEDEN UTILIZARSE CON ESTE CALEFACTOR. SOLO SE PUEDEN UTILIZAR TERMOSTATOS PROVISTOS DE UN CONTACTO QUE ENCIENDA Y APAGUE EL ELEMENTO CALENTADOR, NO EL MOTOR. LA INTERRUPCIÓN DE LA ALIMENTACIÓN EN AMBOS CABLES IMPEDIRÁ LA EJECUCIÓN DE LA FUNCIÓN DE RETARDO DEL VENTILADOR, LO CUAL PRODUCIRÁ UN SOBRECALENTAMIENTO Y PROBABLEMENTE AVERÍAS EN EL CALEFACTOR.

6. Monte y ajuste la tapa superior de la caja del calefactor y luego coloque el calefactor en la abertura.
7. Utilizando los orificios en las pestañas de la caja como plantilla, asegure la rejilla delantera y el calefactor haciendo dos perforaciones de 3/32" (2,3 mm) de diámetro en el gabinete y colocando dos tornillos n.º 6 x 3/4" (n.º 6 x 19 mm) (suministrados) en los orificios "A" (vea la figura 1).

INSTRUCCIONES DE USO

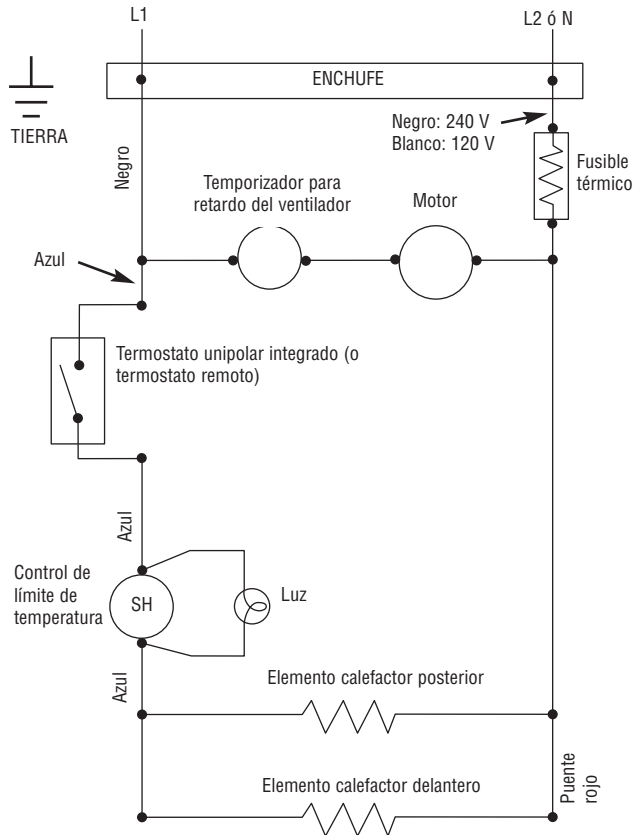


Figura 2 – Conexión del termostato interno del calefactor (si desea la menor potencia, desmonte el puente rojo).

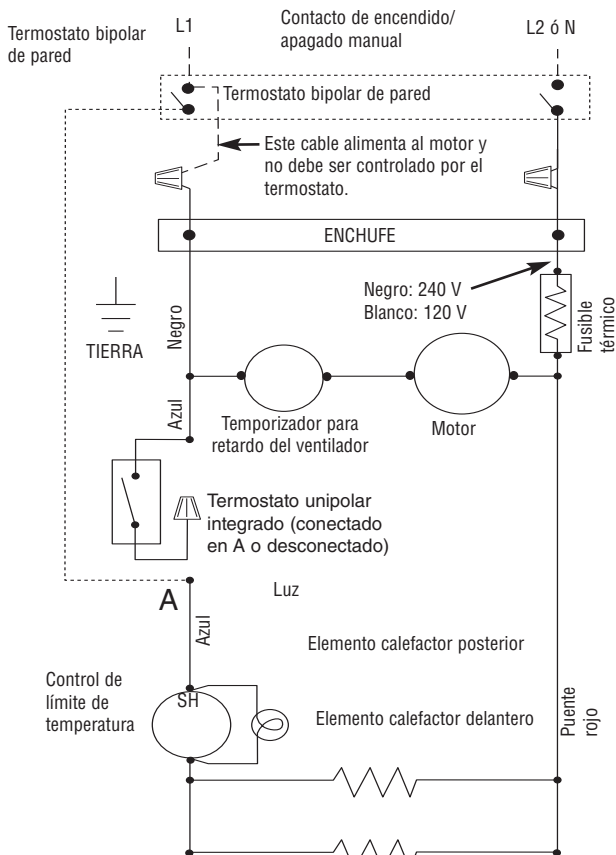


Figura 3 – Conexión del termostato remoto (si desea la menor potencia, desmonte el puente rojo)

1. El calefactor debe estar correctamente instalado antes de su uso.
2. Una vez finalizada la instalación del calefactor, gire la perilla de termostato en sentido antihorario hasta que la perilla llegue a un tope. Esta es la posición de calor mínimo.
3. Conecte la alimentación eléctrica al calefactor en el panel principal.
4. En estas condiciones, el calefactor no debe funcionar. Si funciona, desconecte la alimentación eléctrica y revise las conexiones.
5. Gire el termostato en sentido horario hasta que llegue a un tope (posición de calor máximo).
6. El calefactor y el ventilador deberán encenderse. Si el calefactor y el ventilador no se encienden, desconecte la alimentación eléctrica y revise las conexiones.
7. Deje que el calefactor funcione hasta que la temperatura del ambiente alcance el nivel de confort deseado. Luego gire lentamente la perilla del termostato en sentido antihorario hasta que escuche un "clic" que indica que el calefactor se ha apagado.
8. Es probable que necesite reajustar el termostato varias veces hasta lograr el nivel de confort exacto. La rotación en sentido horario aumentará el tiempo durante el cual el calefactor producirá calor. La rotación en sentido antihorario disminuirá el tiempo durante el cual el calefactor está encendido.

NOTA: para obtener los mejores resultados, el calefactor deberá permanecer constantemente encendido durante la temporada en que se necesita calefacción pues el termostato, si está correctamente ajustado, mantendrá la temperatura deseada. Si la perilla del termostato se hace girar hacia la izquierda hasta llegar al tope, el calefactor permanecerá apagado hasta que la temperatura del ambiente disminuya bien por debajo del punto de congelación.

Restablecimiento del control de seguridad por sobrecalentamiento:

Este calefactor está equipado con un control de seguridad por exceso de temperatura que apagará el calefactor si éste se sobrecalienta. Si este control se activa, se encenderá una luz roja de advertencia, visible a través de la parte delantera de la rejilla, que alertará al usuario que el calefactor está apagado y necesita atención.

⚠ ADVERTENCIA ⚠

NO INTENTE FORZAR NI PUENTEAR LOS DISPOSITIVOS DE SEGURIDAD DENTRO DEL CALEFACTOR.

1. Apague el calefactor con el termostato Y desconecte la alimentación con el interruptor automático en el panel eléctrico por lo menos durante 10 minutos para que el calefactor se enfríe y se restablezca el control de seguridad.
2. Cuando el calefactor se haya enfriado, compruebe que no haya objetos que impidan la circulación del aire a su alrededor ni que esté excesivamente sucio, pues estas condiciones pueden causar un sobrecalentamiento. Retire cualquier objeto que esté obstruyendo el calefactor y/o proceda a su limpieza de acuerdo con las indicaciones de la sección Limpieza del calefactor.
3. Encienda el interruptor automático del circuito de alimentación, gire el termostato al punto de ajuste deseado y verifique que el calefactor funcione con normalidad.
4. Si el calefactor vuelve a funcionar mal y se enciende la luz roja, desconecte la alimentación eléctrica del circuito y haga revisar el calefactor por un electricista matriculado.

PRECAUCION ⚠

PRECAUCIÓN: NO CONTINÚE INTENTANDO USAR EL CALEFACTOR SI EL CONTROL DE SEGURIDAD SIGUE ACTUANDO REPETIDAMENTE LUEGO DE HABER SIDO RESTABLECIDO. EN CASO CONTRARIO, PODRÍA DAÑAR PERMANENTEMENTE EL CALEFACTOR U OCASIONAR UN INCENDIO O UN RIESGO PARA LA SEGURIDAD.

Nota especial: además del control de seguridad contra sobrecalentamiento, este calefactor incluye un fusible térmico de respaldo (de una sola actuación) que apagará permanentemente el calefactor si por algún motivo el control de seguridad por exceso de temperatura no hubiese funcionado correctamente. Si se activa este fusible térmico, el calefactor no se restablecerá y deberá ser reparado por un electricista matriculado.

INSTRUCCIONES DE MANTENIMIENTO

Es importante mantener limpio este calefactor. Su calefactor le brindará años de servicio y comodidad con solo cuidados mínimos. Para asegurar el funcionamiento eficiente siga estas simples instrucciones.

⚠ ADVERTENCIA ⚠

CUALQUIER REPARACIÓN MÁS ALLÁ DE UNA SIMPLE LIMPIEZA, QUE REQUIERA DESMONTAR EL CALEFACTOR, DEBE SER REALIZADA POR UN ELECTRICISTA MATRICULADO.

⚠ ADVERTENCIA ⚠

PARA DISMINUIR EL RIESGO DE INCENDIO Y DE DESCARGAS ELÉCTRICAS O LESIONES, DESCONECTE LA ALIMENTACIÓN DEL CALEFACTOR DESDE EL TABLERO DE DISTRIBUCIÓN PRINCIPAL Y VERIFIQUE QUE EL ELEMENTO ESTÉ FRÍO ANTES DE REPARARLO O REALIZAR TAREAS DE MANTENIMIENTO.

Instrucciones de limpieza:

1. Luego de que el calefactor se haya enfriado, utilice una aspiradora con un cepillo para eliminar el polvo y pelusas de las superficies exteriores del calefactor incluyendo las aberturas de la rejilla.
2. Con un paño húmedo limpie el polvo y las pelusas de la rejilla y las superficies exteriores.
3. Vuelva a encender el calefactor y verifique su correcto funcionamiento.

Instrucciones de limpieza para mantenimiento: (Solo puede ser realizada por electricistas matriculados)

Al menos una vez al año, el calefactor deberá ser limpiado y revisado por un electricista matriculado para asegurar un funcionamiento seguro y eficiente.

Este proceso deberá incluir la remoción de la rejilla y, de ser necesario, del calefactor de la caja posterior para eliminar los residuos del interior de la unidad. Una vez finalizada la limpieza y la revisión, el calefactor se deberá montar nuevamente y verificar su correcto funcionamiento.

GARANTÍA LIMITADA

Todos los productos fabricados por Marley Engineered Products están garantizados contra defectos de fabricación y de materiales por 1 año desde la fecha de instalación, excepto los elementos calefactores los cuales están garantizados contra defectos en manufactura y materiales durante cinco años a partir de la fecha de instalación. Esta garantía no se aplica a daños debidos a accidente, mal uso o alteración, ni a los casos en que la tensión eléctrica conectada supere a la tensión nominal -indicada en la placa de características- en más de 5 %, ni a equipos que hayan sido instalados o cableados incorrectamente, o mantenidos en forma que no cumpla lo indicado en las instrucciones de instalación del producto. Todo reclamo por trabajos en garantía debe acompañarse con una prueba de la fecha de instalación.

El cliente será responsable de todos los costos incurridos en el retiro o reinstalación de productos, incluyendo los costos de mano de obra y los costos de envío incurridos para regresar productos a un Centro de Servicio de Marley Engineered Products. Dentro de las limitaciones de esta garantía, las unidades que no funcionan deben regresarse al centro de servicio autorizado Marley más cercano, o al Centro de Servicio de Marley Engineered Products, y nosotros lo repararemos o reemplazaremos, a nuestra opción, sin cargo para usted, con el flete de retorno pagado por Marley. Se acuerda que tal reparación o reemplazo es el único recurso que Marley Engineered Products pone a su disposición.

LAS GARANTÍAS EXPUESTAS MÁS ARRIBA TOMAN EL LUGAR DE TODA OTRA GARANTÍA, EXPRESA O IMPLÍCITA, Y POR LA PRESENTE SE DECLINA Y EXCLUYE DE ESTE ACUERDO TODA GARANTÍA IMPLÍCITA DE COMERCIABILIDAD Y ADECUACIÓN A UN PROPÓSITO PARTICULAR QUE EXCEDA LAS GARANTÍAS EXPRESAS ANTEDICHAS. MARLEY ENGINEERED PRODUCTS NO SE HARÁ RESPONSABLE POR DAÑOS CONSIGUIENTES QUE SE PRODUZCAN CON RESPECTO AL PRODUCTO, EN BASE YA SEA A NEGLIGENCIA, AGRAVIO, RESPONSABILIDAD ESTRICTA, O CONTRATO.

Algunos estados o jurisdicciones no permiten la exclusión o limitación de daños incidentales o consiguientes, de modo que la exclusión o limitación expresada más arriba puede no aplicarse a su caso. Esta garantía le da derechos legales específicos, y usted puede tener también otros derechos, que varían de un estado o jurisdicción a otro.

Para obtener la dirección de su centro de servicio autorizado más cercano comuníquese con Marley Engineered Products en Bennettsville, SC, Estados Unidos, llamando al 1-800-642-4328. Toda mercadería regresada a la fábrica debe ser acompañada por una autorización de retorno y una etiqueta de identificación de servicio, disponibles ambas en Marley Engineered Products. Cuando solicite la autorización de retorno, incluya todos los números de catálogo mostrados en los productos.

CÓMO OBTENER SERVICIO EN GARANTÍA, PIEZAS DE REPUESTO E INFORMACIÓN GENERAL

- | | |
|--|--|
| 1. Servicio o repuestos en garantía | 1-800-642-4328 |
| 2. Compra de repuestos | 1-800-654-3545 |
| 3. Información general sobre productos | www.marleymep.com |

Nota: cuando solicite servicio, siempre dé la información que sigue:

1. Número de modelo del producto
2. Fecha de fabricación
3. Número de parte o descripción

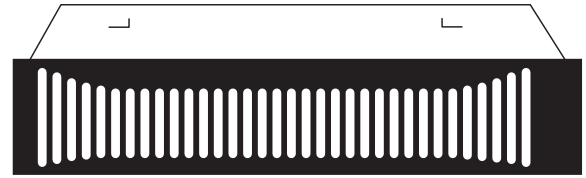


Marley
Engineered Products

470 Beauty Spot Rd. East
Bennettsville, SC 29512 USA

S1500TC et S1504TC

Radiateurs électriques en retrait avec thermostat intégré



Instructions d'installation, d'utilisation et d'entretien

Tableau 1 - Spécifications

Réf. de modèle	Puissance (Watts)	Tension (Volts)	Ampérage
S1500TC	1 500	120	12,5
	750		6,3
S1504TC	1 500/1 125	240 / 208	6,3 / 5,4
	750 / 563		3,1 / 2,7

INSTRUCTIONS IMPORTANTES

AVERTISSEMENT

LORS DE L'UTILISATION D'APPAREILS ÉLECTRIQUES, DES PRÉCAUTIONS DE BASE DOIVENT TOUJOURS ÊTRE SUIVIES AFIN DE RÉDUIRE LE RISQUE DE DÉPART D'INCENDIE, DE COMMOTION ÉLECTRIQUE ET DE BLESSURES AUX PERSONNES, INCLUANT CELLES QUI SUIVENT :

- Lisez toutes les instructions avant d'installer ou d'utiliser le radiateur.
- Ce radiateur est chaud quand il est en fonctionnement. Pour éviter des brûlures, ne laissez pas de peau nue toucher ses surfaces chaudes. Maintenez les matières combustibles comme le mobilier, les oreillers, la literie, les papiers, les vêtements et les couvertures, à au moins 3 pieds (90 cm) de distance de l'avant du radiateur.
- Il faut faire très attention quand un radiateur quelconque est utilisé par des enfants ou des personnes invalides ou près d'eux, et à chaque fois que le radiateur est laissé en marche sans surveillance.
- N'utilisez plus un radiateur s'il a présenté des dysfonctionnements. Débranchez son alimentation au panneau de distribution du secteur et faites-le inspecter par un bon électricien avant de le réutiliser.
- Ne l'utilisez pas à l'extérieur.
- Pour déconnecter le radiateur, passez sa commande sur arrêt (Off) et coupez le secteur en amont au panneau de distribution.
- N'insérez pas d'objets étrangers, et ne permettez pas qu'il en entre, dans toute ouverture d'admission ou d'évacuation, car cela peut causer une commotion électrique ou un départ d'incendie, ou endommager le radiateur.
- Pour éviter un possible départ d'incendie, n'obstruez en aucune façon les admissions et les échappements d'air.
- Un radiateur comporte à l'intérieur des parties chaudes, et pouvant produire un arc ou des étincelles électriques. Ne l'utilisez pas dans des zones où de l'essence ou des liquides inflammables sont utilisés ou entreposés.
- N'utilisez ce radiateur que comme c'est décrit dans ce manuel. Toute autre utilisation non recommandée par le constructeur peut causer un départ d'incendie, une commotion électrique ou des blessures corporelles.
- Ce radiateur est fourni avec un voyant rouge d'alarme qui ne s'allume que si le radiateur a été coupé suite à une surchauffe. Si vous voyez ce voyant allumé, arrêtez immédiatement le radiateur et inspectez pour voir s'il y a des objets dessus ou à côté qui pourraient avoir bloqué le flux d'air ou avoir fait qu'une surchauffe soit survenue. **NE FAITES PAS FONCTIONNER LE RADIATEUR AVEC LE VOYANT D'ALARME ALLUMÉ.**
- Ce radiateur est prévu pour des applications de chauffage de confort, et n'est pas conçu pour une utilisation dans des endroits spéciaux. Ne l'utilisez pas dans des lieux humides ou mouillés, tels que dans un contexte marin ou une serre, ou dans des endroits où il y a présence d'agents corrosifs ou chimiques.
- Lors de l'installation, voyez les INSTRUCTIONS D'INSTALLATION pour des mises en gardes et précautions supplémentaires.
- Pour un fonctionnement sûr et efficace, et pour prolonger sa durée de service, gardez votre radiateur propre – Voyez les INSTRUCTIONS D'ENTRETIEN.
- N'INSTALLEZ PAS CE RADIATEUR SOUS DES MEUBLES FAITS EN VINYLE OU RECOUVERTS DE VINYLE.**

CONSERVEZ CES INSTRUCTIONS

INSTRUCTIONS D'INSTALLATION

⚠ AVERTISSEMENT ⚠

Pour éviter un possible départ d'incendie, des blessures corporelles ou des dommages au radiateur, respectez ces consignes :

1. Débranchez toute alimentation secteur arrivant au panneau de service principal avant de câbler ou d'intervenir pour du service.
2. Toutes les procédures de câblage et les raccordements doivent être en conformité avec les normes nationales et locales applicables, et le radiateur doit être relié à la terre.
3. L'alimentation secteur doit entrer dans le boîtier arrière au travers des pastilles à enfoncer. Voir également le marquage de HAUT sur le boîtier arrière pour la bonne orientation.
4. Vérifiez que la tension du secteur arrivant au radiateur correspond bien aux valeurs spécifiées sur sa plaque signalétique.

ATTENTION : ALIMENTER LE RADIATEUR AVEC UNE TENSION DÉPASSANT LA VALEUR IMPRIMÉE SUR LA PLAQUE SIGNALÉTIQUE ENDOMMAGERA LE RADIATEUR ET ANNULERA SA GARANTIE, ET CELA PEUT PROVOQUER UN DÉPART D'INCENDIE.

5. **ATTENTION** – Température élevée et risque de départ d'incendie, gardez les cordons électriques, les draperies et textiles d'intérieur, et d'autres matières combustibles, à au moins 3 pieds (90 cm) de l'avant du radiateur. N'installez pas le radiateur derrière des portes, sous des porte-serviettes ou dans une zone où il est susceptible d'être bloqué par des meubles, des rideaux ou des matériaux de rangement. L'air chaud venant du radiateur peut endommager certains tissus et plastiques.
6. Pour réduire le risque de départ d'incendie, n'entreposez pas et n'utilisez pas d'essence ou d'autres produits inflammables sous forme de liquide ou de vapeurs à proximité du radiateur.
7. Ce radiateur est prévu pour être monté en utilisant un boîtier arrière fourni, et peut s'installer avec ce boîtier encastré ou placé en surface, comme décrit dans ce manuel.
8. Les écartements suivants doivent être respectés :
 - Du bas du radiateur au plancher – 1/4" (6,4 mm).
 - Des côtés du radiateur à un mur adjacent - 12" (305 mm).
 - Du haut du radiateur au plafond - 36" (915 mm).
9. Ne faites pas fonctionner le chauffage sans que sa grille soit en place.
10. N'utilisez pas ce radiateur pour faire sécher de la peinture, du plâtre. De la sciure ou de la poussière de ponçage de cloison sèche endommagerait de façon permanente le radiateur, qui doit être tenu à l'écart.

REMARQUE : Le radiateur sera contrôlé soit par son thermostat intégré soit par un thermostat mural à distance. L'un ou l'autre sont achetés séparément. Un thermostat mural nécessite une alimentation séparée allant du radiateur au thermostat.

INSTALLATION HORIZONTALE UNIQUEMENT

Le radiateur peut être alimenté avec des fils de bâtiment standard (supportant au moins 60 °C).

1. Découpez une ouverture de 14-1/4" x 3-5/8" (361,9 x 92,1 mm) à l'endroit voulu comme montré en Fig. 1. Maintenez la zone au sein du périmètre d'écartement exempté d'obstructions.
2. Enlevez le couvercle supérieur de l'enceinte de radiateur en ôtant ses vis.

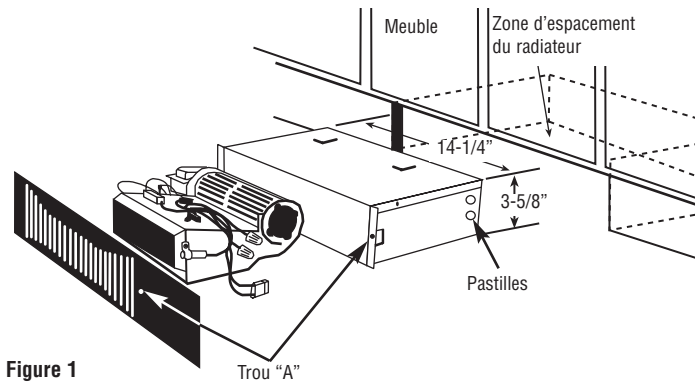


Figure 1

3. Déterminez quelle pastille sur l'enceinte sera utilisée pour le câblage sur site et enfoncez-la (Voyez la Figure 1). Installez un passe-fil sur le trou (fourniture locale).
4. Tirez le câblage au travers de ce passe-fils, en laissant 6" (15 cm) de mou à l'intérieur du boîtier arrière.
5. Réalisez les raccordements de câblage, en fixant les fils sur deux (2) fils en tire-bouchon, noirs pour les modèles en 240/208 V, ou noir et blanc pour le modèle 120 V, avec des capuchons de fixation de fils (fournis). Branchez le fil amenant la terre au fil de terre en tire-bouchon avec un capuchon de fixation (fourni). Voyez la Figure 2.

REMARQUE : Si un thermostat mural est utilisé :

- a. Un thermostat mural bipolaire du type où ces pôles sont activés/désactivés en fonction du changement de température ne peuvent pas être utilisés avec ce radiateur. Seul un unipolaire peut faire des cycles activation/désactivation, et cela pour un élément de chauffe uniquement, pas pour le moteur. L'activation/désactivation sur les deux fils d'alimentation peut perturber la temporisation à la coupure du ventilateur, et entraîner une surchauffe avec des dommages possibles pour le radiateur.
- b. Débranchez le fil bleu du fil de thermostat intégré au point A sur le schéma de câblage, en Figure 3. Mettez un capuchon d'isolement sur le bout de ce fil. Branchez alors le fil bleu au fil d'alimentation du site sur le côté tension du thermostat (Voyez la Figure 3). Terminez les raccordements sur site selon la Figure 3.

ATTENTION ⚠

POUR ÉVITER DES DOMMAGES AU RADIATEUR ET UN POSSIBLE DANGER D'INCENDIE, SI UN THERMOSTAT MURAL EST UTILISÉ : UN THERMOSTAT MURAL BIPOLAIRE DU TYPE OÙ CES PÔLES SONT ACTIVÉS/DÉSACTIVÉS EN FONCTION DU CHANGEMENT DE TEMPÉRATURE NE PEUVENT PAS ÊTRE UTILISÉS AVEC CE RADIATEUR. SEUL UN UNIPOLAIRE PEUT FAIRE DES CYCLES ACTIVATION/DÉSACTIVATION, ET CELA POUR UN ÉLÉMENT DE CHAUFFE UNIQUEMENT, PAS POUR LE MOTEUR. L'ACTIVATION/DÉSACTIVATION SUR LES DEUX FILS D'ALIMENTATION PEUT PERTURBER LA TEMPORISATION À LA COUPURE DU VENTILATEUR, ET ENTRAÎNER UNE SURCHAUFFE AVEC DES DOMMAGES POSSIBLES POUR LE RADIATEUR.

6. Remplacez et fixez le couvercle supérieur de l'enceinte de radiateur, puis présentez-le dans l'ouverture.
7. En utilisant les trous dans les brides de l'enceinte comme gabarit, fixez à la fois la grille frontale et le radiateur en perçant deux trous de diamètre 3/32" (2,3 mm) dans la planche du meuble, et en plaçant deux vis N° 6 de 3/4" (19 mm) au travers du trou "A" (Voyez la Figure 1).

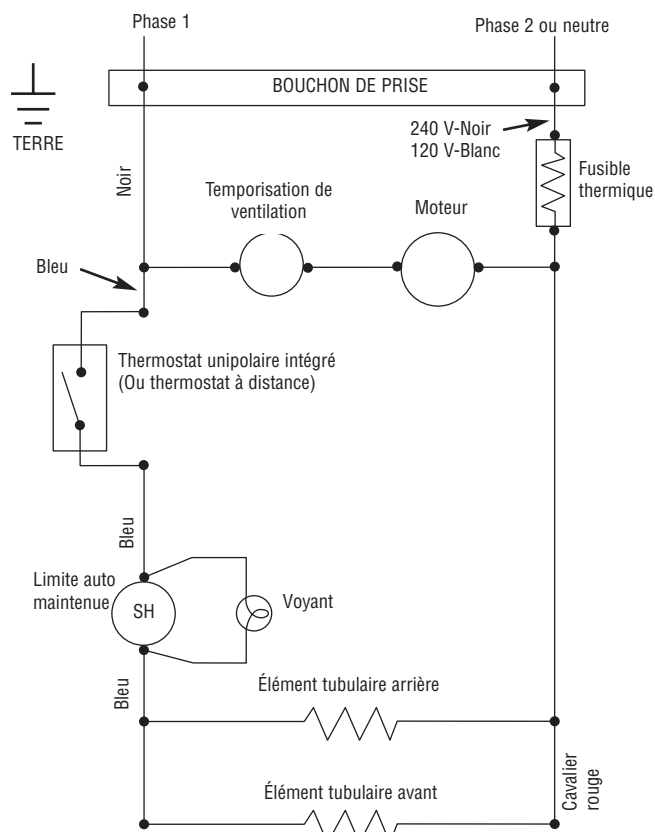


Figure 2 – Câblage avec un thermostat monté dans le radiateur
(Pour obtenir une puissance inférieure, ôter le cavalier rouge)

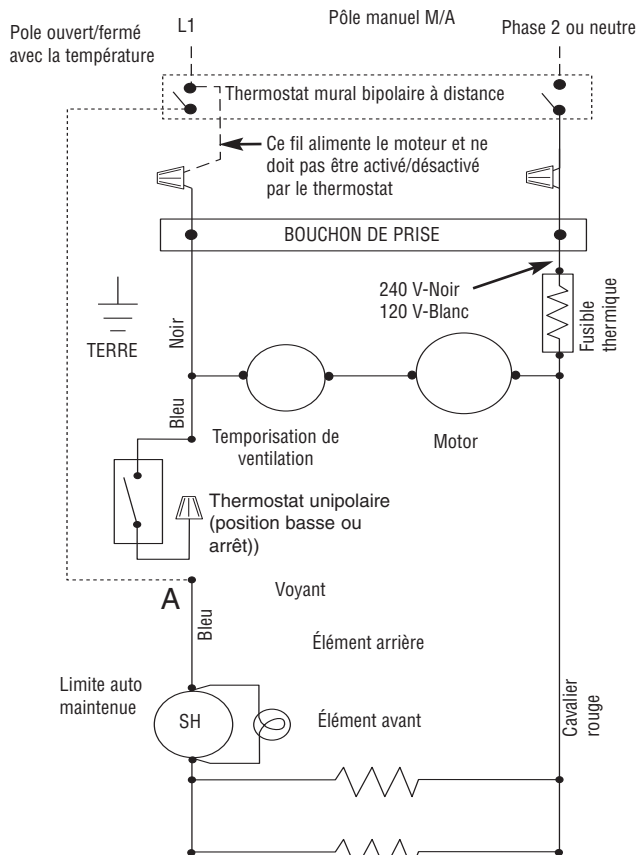


Figure 3 – Câblage pour thermostat à distance
(Pour obtenir une puissance inférieure, ôter le cavalier rouge)

INSTRUCTIONS D'UTILISATION

1. Le radiateur doit être correctement installé avant d'être mis en marche.
2. Une fois le radiateur complètement assemblé, tournez le bouton de thermostat complètement en sens antihoraire jusqu'à l'arrêt. C'est le réglage de consigne minimale de température.
3. Mettez le radiateur en marche (ON) au panneau de commande principal.
4. Le radiateur ne doit pas démarrer. S'il démarrait coupez son alimentation et revérifiez le câblage.
5. Tournez le thermostat en sens horaire complètement jusqu'à la butée.
6. Radiateur et ventilateur doivent s'activer. Si ce n'est pas le cas, débranchez l'alimentation et vérifiez le câblage.
7. Laissez le radiateur continuer de fonctionner jusqu'à ce que la température de la pièce atteigne le niveau confortable souhaité. Tournez alors le bouton du thermostat en sens antihoraire jusqu'à l'obtention d'un dé clic.
8. Il peut être nécessaire de réajuster le thermostat une ou deux fois jusqu'à ce que la température exacte de confort soit obtenue. Une rotation en sens horaire va augmenter la durée pendant laquelle le radiateur va chauffer. Une rotation en sens antihoraire va réduire la durée de fonctionnement du radiateur.

REMARQUE : Pour obtenir les meilleurs résultats, le radiateur doit rester en marche (ON) en permanence durant la saison de chauffage, du fait que le thermostat quand il est bien réglé maintiendra la température désirée. Mis en position antihoraire à fond, le radiateur restera arrêté jusqu'à ce que la température ambiante retombe bien au delà du niveau de gel.

Comment restaurer le fonctionnement – Contrôle de sécurité sur température :

Le radiateur est fourni avec un contrôle de sécurité sur emballement thermique, qui le coupera en cas de surchauffe. Quand ce contrôle se déclenche, un voyant d'alerte rouge, visible au travers de la grille, va s'allumer pour prévenir le propriétaire que le radiateur a été coupé et nécessite une intervention.

⚠ AVERTISSEMENT ⚠

NE TOUCHEZ PAS ET NE CONTOURNEZ PAS LES LIMITES DE SÉCURITÉ À L'INTÉRIEUR DU RADIATEUR

1. Passez le radiateur à l'arrêt (OFF) ET arrêtez son alimentation en amont au disjoncteur pendant au moins 10 minutes afin de le laisser refroidir et faire que le contrôle se restaure.
2. Quand le radiateur a refroidi, vérifiez s'il a été bloqué ou s'il est très sale, car ces conditions provoquent une surchauffe. Éliminez les éventuels blocages et/ou référez-vous à la section **Nettoyage du radiateur** pour des instructions de nettoyage s'il est sale.
3. Rétablissez l'alimentation électrique en amont, remettez le thermostat au point de consigne voulu, et vérifiez le bon fonctionnement du radiateur.
4. Si le radiateur est de nouveau défaillant, et que son voyant rouge s'allume, coupez l'alimentation électrique en amont et faites inspecter le radiateur par un électricien qualifié.

ATTENTION ⚠

NE CONTINUEZ PAS D'ESSAYER D'UTILISER LE RADIATEUR SI SON CONTRÔLE DE SÉCURITÉ SE DÉCLENCHE À RÉPÉTITION APRÈS SA RESTAURATION. EN LE FAISANT VOUS POURRIEZ L'ENDOMMAGER DE FAÇON IRRÉMÉDIABLE OU CAUSER UN DÉPART D'INCENDIE OU DES RISQUES POUR LA SÉCURITÉ.

Note spéciale : En plus d'un contrôle de sécurité sur surchauffe, le radiateur est fourni avec un fusible thermique de secours (un seul usage) qui coupera le radiateur de façon permanente si pour une quelconque raison le contrôle de sécurité sur surchauffe n'avait pas fonctionné comme prévu. Si ce fusible thermique grille, le radiateur ne se restaurera pas et il faudra le faire réparer par une personne qualifiée.

INSTRUCTIONS D'ENTRETIEN

Il est important de garder propre le radiateur. Votre radiateur vous fournira des années de bon service et de confort avec juste un minimum de soins. Pour assurer son fonctionnement efficace, suivez les instructions simples ci-dessous :

AVERTISSEMENT

TOUTE INTERVENTION DE SERVICE AU-DELÀ D'UN SIMPLE NETTOYAGE, QUI NÉCESSITE UN DÉMONTAGE, DEVRA ÊTRE RÉALISÉE PAR DU PERSONNEL DE SERVICE QUALIFIÉ.

AVERTISSEMENT

POUR RÉDUIRE LE RISQUE DE DÉPART D'INCENDIE ET DE COMOTION ÉLECTRIQUE OU DE BLESSURE, DÉBRANCHEZ TOUTE ALIMENTATION ÉLECTRIQUE ALLANT AU RADIATEUR EN AMONT AU PANNEAU DE SERVICE, ET VÉRIFIEZ QUE L'ÉLÉMENT DE CHAUFFE EST FROID AVANT D'INTERVENIR POUR DU SERVICE OU DE L'ENTRETIEN.

Instructions de nettoyage par l'utilisateur :

1. Une fois que le radiateur est froid, vous pouvez utiliser un aspirateur avec son accessoire brosse pour éliminer la poussière et les peluches des surfaces extérieures du radiateur, y compris les ouvertures de la grille.
2. Avec un chiffon humide, enlevez poussière et peluche de la grille et des surfaces extérieures.
3. Remettez le radiateur sous tension et vérifiez son bon fonctionnement.

Instructions de nettoyage d'entretien :

(Ne doit être exécuté que par du personnel de service qualifié)

Au moins une fois par an le radiateur doit être nettoyé et vérifié par une personne de service qualifiée afin d'assurer un fonctionnement sûr et efficace. Cela doit inclure la dépose de la grille et si nécessaire la sortie du radiateur du boîtier arrière, afin de nettoyer les résidus de l'appareil. Une fois le nettoyage et le service terminés, le radiateur doit être complètement remonté et son bon fonctionnement vérifié.

GARANTIE LIMITÉE

Tous les produits fabriqués par Marley Engineered Products sont garantis contre des défauts dus à la main d'œuvre et aux matériaux pendant un an à partir de la date d'installation, saufs les éléments de chauffe qui sont garantis de la même façon pendant cinq ans. Cette garantie ne s'applique pas pour des dommages résultant d'accident, de mésusage ou d'altération ; ni si la tension secteur envoyée fait 5 % ou plus au-dessus de la tension nominale de la plaque signalétique ; ni sur l'équipement est incorrectement installé ou câble, en violation avec les instructions d'installation. Toutes les demandes d'exercice de la garantie devront être accompagnées de la preuve de date d'installation.

Le client doit être responsable de tous les coûts occasionnés pour le démontage ou la réinstallation des produits, incluant les coûts de main-d'œuvre, et les coûts d'expédition pour renvoyer les produits au centre de service de Marley Engineered Products. Dans le cadre des limitations de cette garantie, les unités ne fonctionnant pas doivent être renvoyées au centre de service agréé Marley le plus proche, ou directe au centre de service de Marley Engineered Products, où ils seront réparés ou remplacés, à notre choix, sans frais pour vous avec le port de retour payé par Marley. Il est convenu que cette réparation ou ce remplacement sera le seul remède à attendre de Marley Engineered Products.

LES GARANTIES QUI PRÉCÈDENT TIENNENT LIEU DE TOUTES LES AUTRES GARANTIES, EXPLICITES OU IMPLICITES, ET TOUTES LES GARANTIES IMPLICITES DE VALEUR MARCHANDE ET D'ADÉQUATION POUR UNE FINALITÉ SPÉCIFIQUE QUI EXCÉDERAIENT LES DISPOSITIONS DE GARANTIE PRÉCÉDEMMENT ÉNONCÉES SONT ICI REJETÉES ET EXCLUES DE CET ACCORD. MARLEY ENGINEERED PRODUCTS NE SERA PAS TENU POUR RESPONSABLE DES DOMMAGES CONSÉCUTIFS SURVENANT EN RELATION AVEC LE PRODUIT, QU'ILS SOIENT À BASE DE NÉGLIGENCE, TORT, RESPONSABILITÉ PURE OU CONTRACTUELLE.

Certaines provinces ne permettent pas l'exclusion ou la limitation des dommages consécutifs ou annexes, de ce fait l'exclusion ou la limitation qui précède peut ne pas s'appliquer à votre cas. Cette garantie vous donne des droits légaux spécifiques, qui varient d'une province à l'autre.

Pour obtenir l'adresse de votre centre de service agréé le plus proche, contactez Marley Engineered Products à Bennettsville, SC, USA, au 1-800-642-4328. Toute marchandise retournée à l'usine doit être accompagnée d'une autorisation de renvoi et d'une étiquette d'identification pour le service, ces deux documents étant disponibles auprès de Marley Engineered Products. En demandant une autorisation de retour, fournissez tous les numéros de catalogue indiqués sur les produits.

COMMENT OBTENIR DU SERVICE ET DES PIÈCES DANS LE CADRE DE LA GARANTIE ET DES INFORMATIONS GÉNÉRALES

- | | |
|--|--|
| 1. Service et pièces sous garantie | 1-800-642-4328 |
| 2. Pièces détachées à acheter | 1-800-654-3545 |
| 3. Informations générales sur les produits | www.marlymep.com |

Remarque : Pour obtenir le service sous garantie vous devez toujours avoir préparé :

1. Référence de modèle du produit
2. Date de fabrication
3. Numéro ou description de pièce



Marley
Engineered Products

470 Beauty Spot Rd. East
Bennettsville, SC 29512 USA